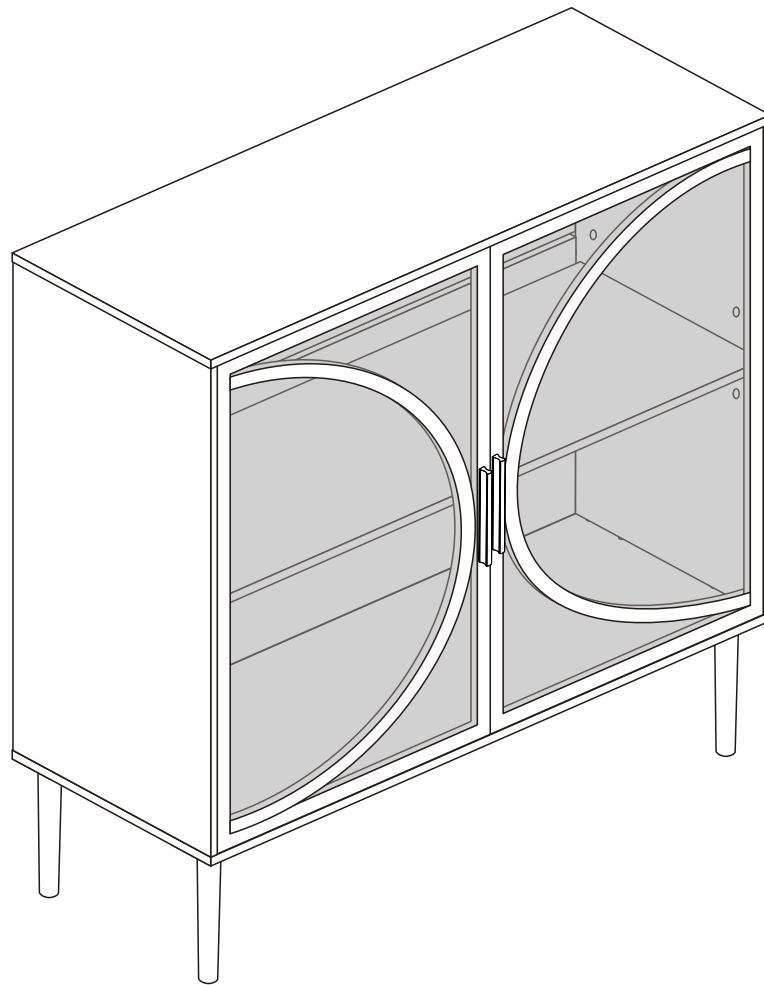





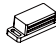

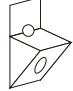



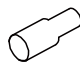



Cabinet

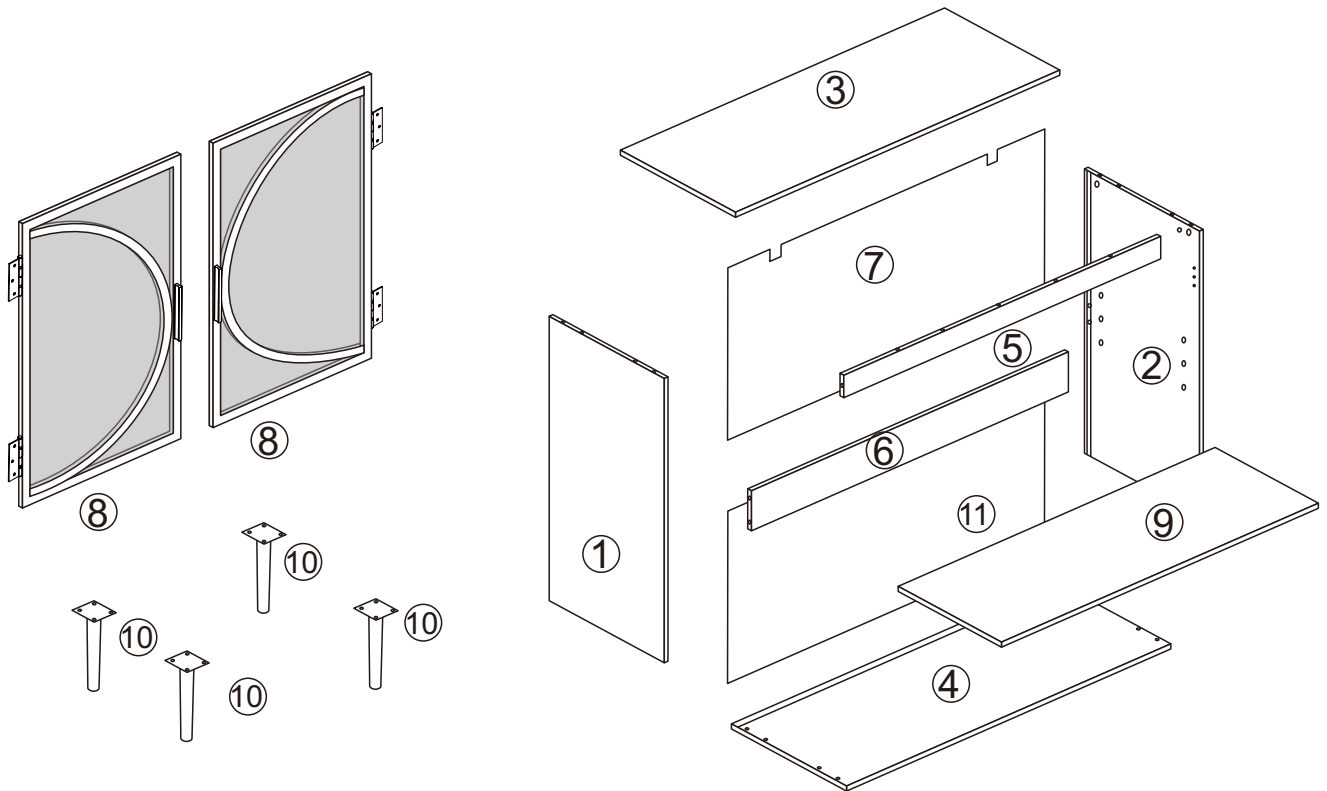


ASSEMBLY INSTRUCTION

HARDWARE LIST

| | | | | | | | | | |
|-------------|---|-------------|---|-------------|---|-------------|---|-------------|---|
| A 11 PCS |  | B 11 PCS |  | C 10 PCS |  | D 6 PCS |  4x35mm | E 18 PCS |  3x16mm |
| F 1 PC |  | G 2 PCS |  | H 8 PCS |  | I 20 PCS |  | J 2 PCS |  |
| K 2 PCS |  | L 4 PCS |  | M 2 PCS |  3x16mm | | | | |

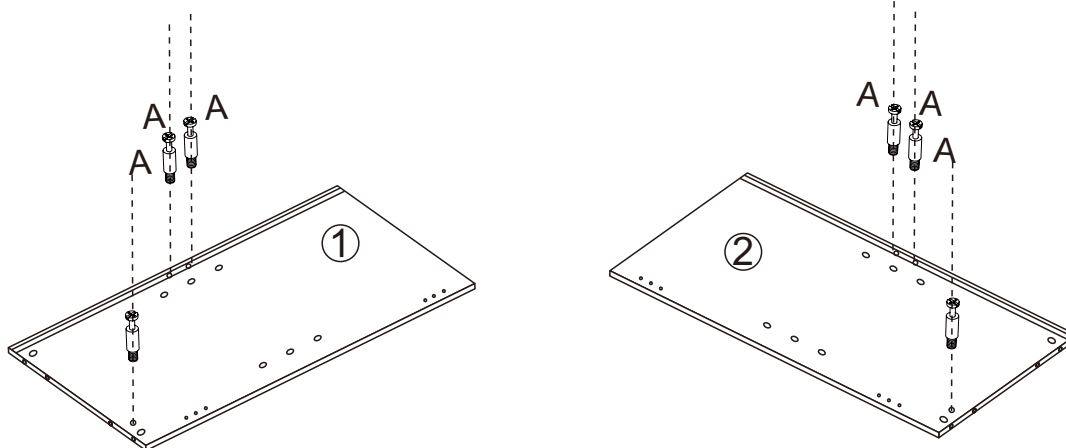
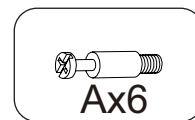
PARTS LIST



ASSEMBLY STEPS

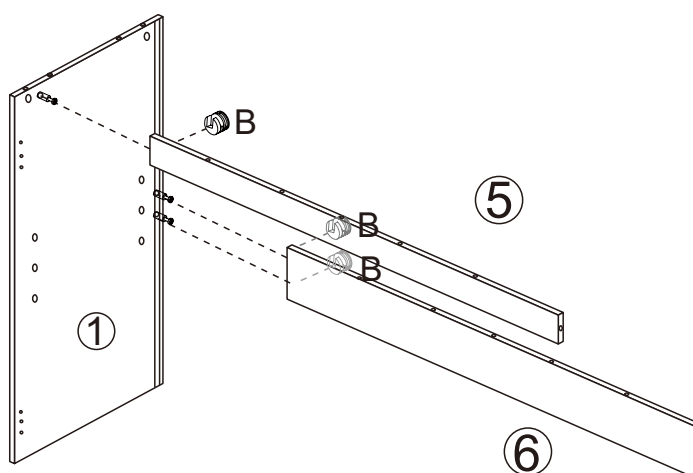
STEP 1.

Fix quickfit screws (A) into parts 1 and 2, as shown.



STEP 2.

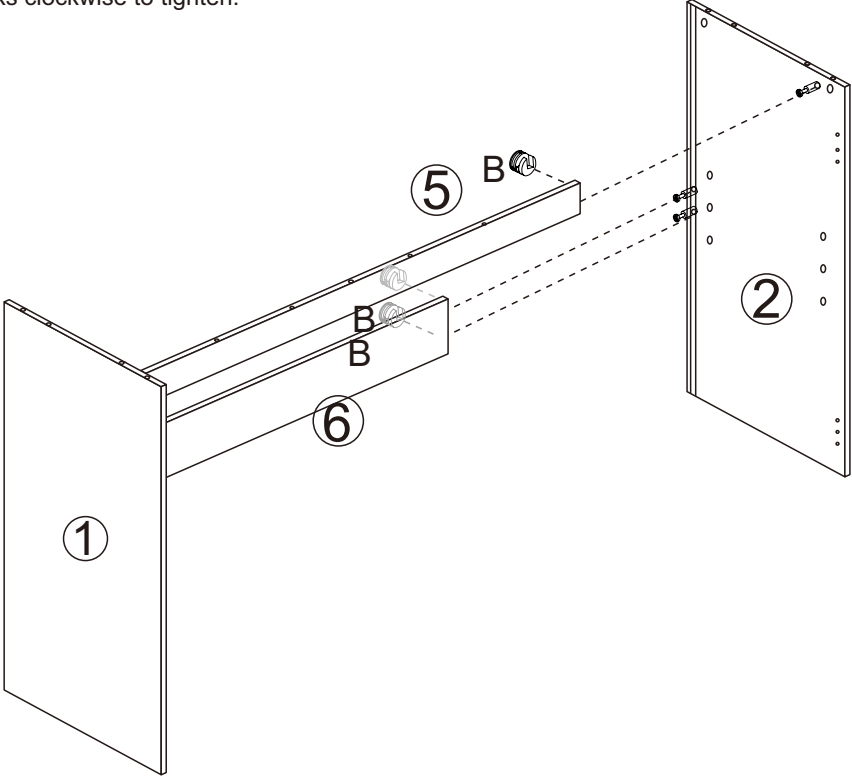
Insert cam locks (B) into parts 5 and 6, as shown.
Fit parts 5 and 6 to part 1.
Turn cam locks clockwise to tighten.



ASSEMBLY STEPS

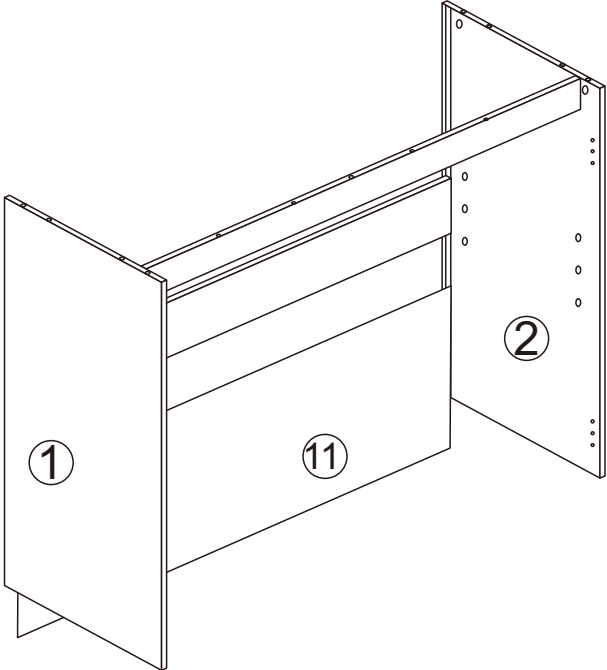
STEP 3.

Insert cam locks (B) into parts 5 and 6, as shown.
Fit parts 5 and 6 to part 2.
Turn cam locks clockwise to tighten.



STEP 4.

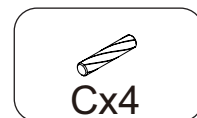
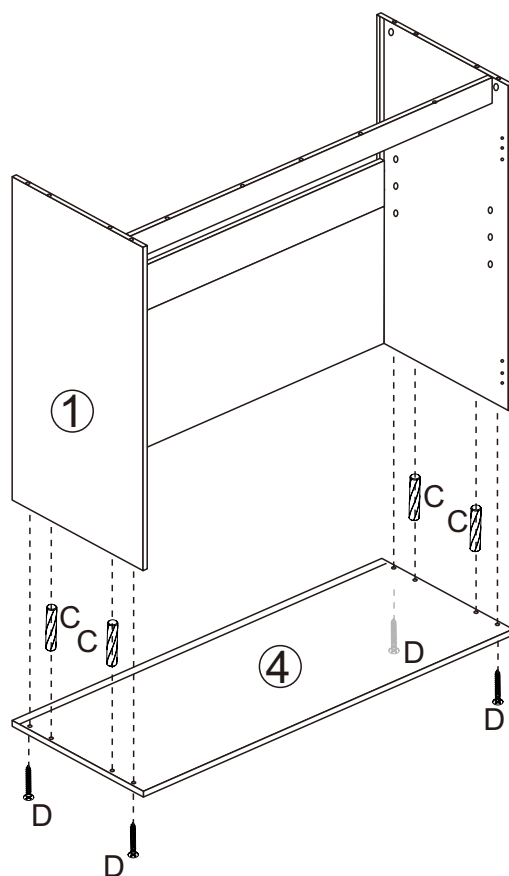
Slide part 11 into grooves between parts 1, 6 and 2, as shown.



ASSEMBLY STEPS

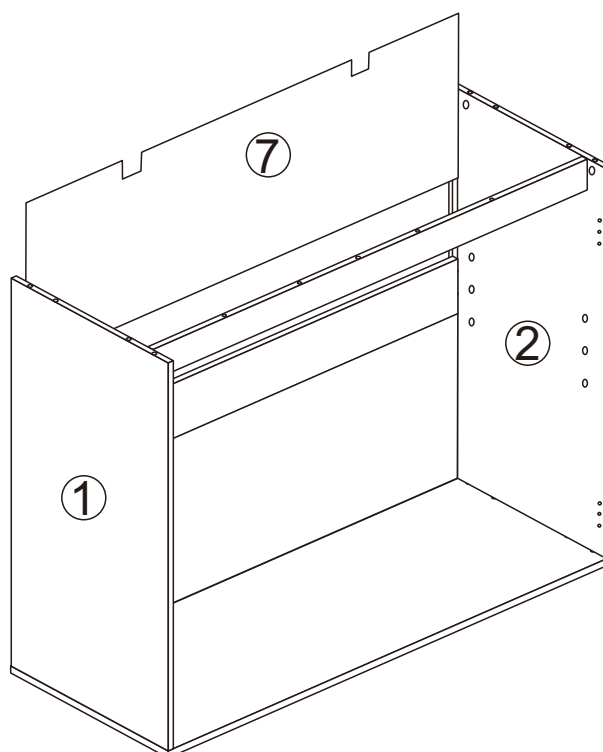
STEP 5.

Fix part 4 to assembled unit with wooden dowels (C) and screws (D), as shown.



STEP 6.

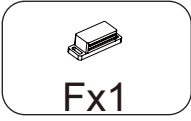
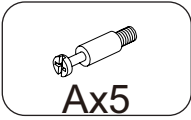
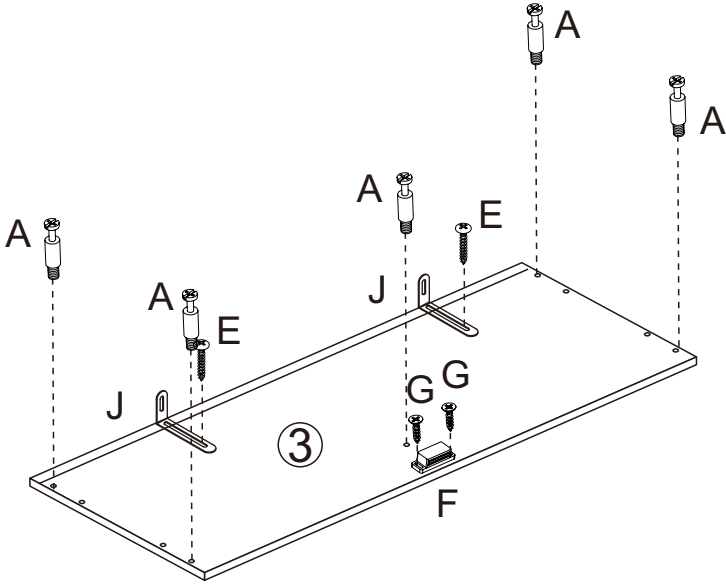
Slide part 7 into grooves of parts 1, 2 and 5, as shown.



ASSEMBLY STEPS

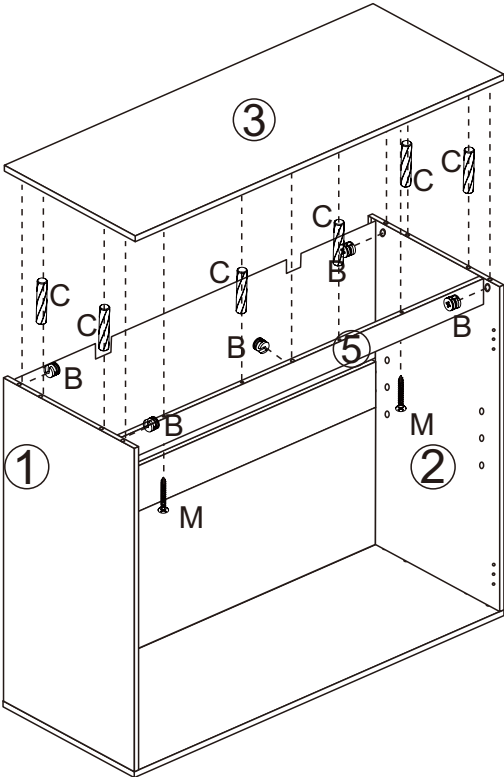
STEP 7.

Fix wall brackets (J) to part 3 using screws (E), as shown.
Fix magnetic door catch (F) to part 3 using screws (G), as shown.
Insert quickfit screws (A) to part 3, as shown.



STEP 8.

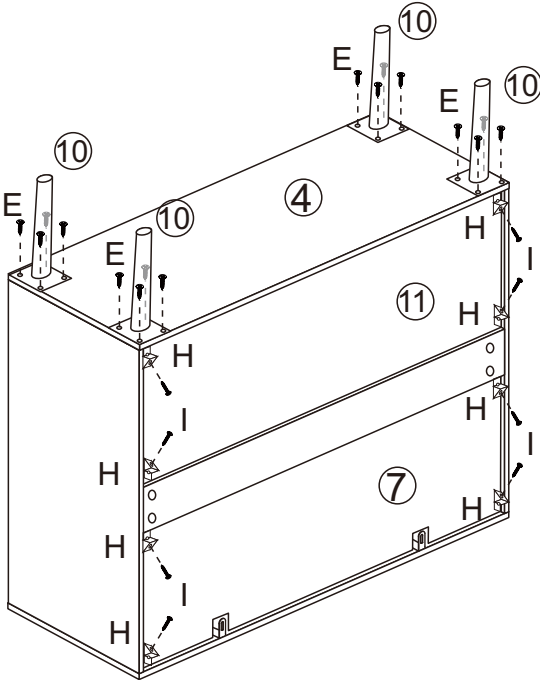
Insert cam locks (B) and wooden dowels (C) into parts 1, 2 and 5, as shown.
Fit part 3 to assembled unit.
Turn cam locks clockwise to tighten.



ASSEMBLY STEPS

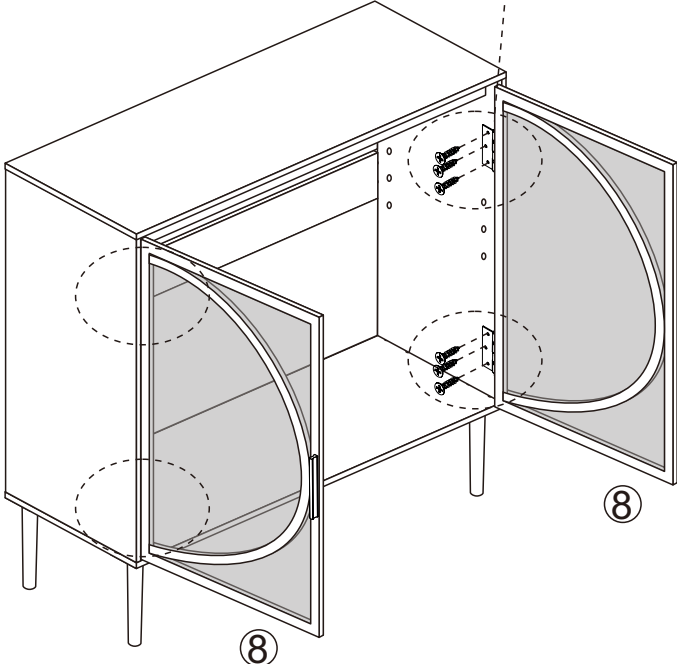
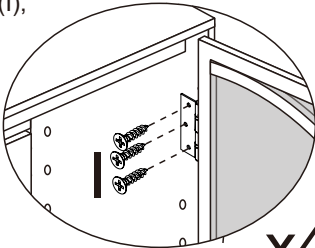
STEP 9.

Fix legs 10 to part 4 using screws (E), as shown.
Fix corner brackets (H) to parts 7 and 11 using screws (I), as shown.



STEP 10.

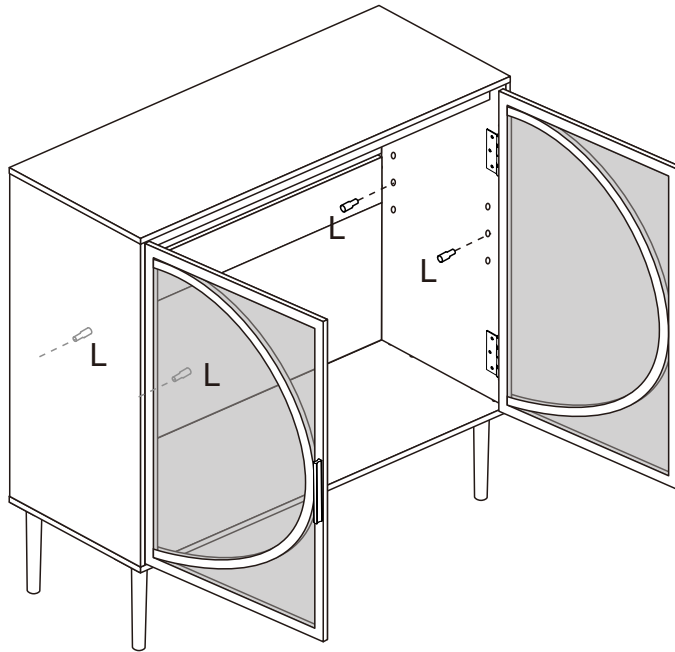
Fix doors 8 to assembled unit using hinges and screws (I), as shown.



ASSEMBLY STEPS

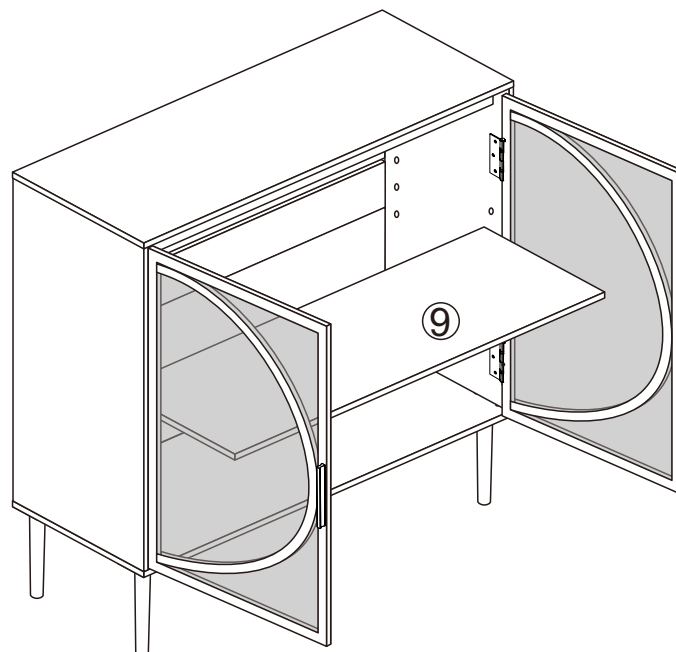
STEP 11.

Fit shelf supporters (L) to the inside of cabinet, as shown.



STEP 12.

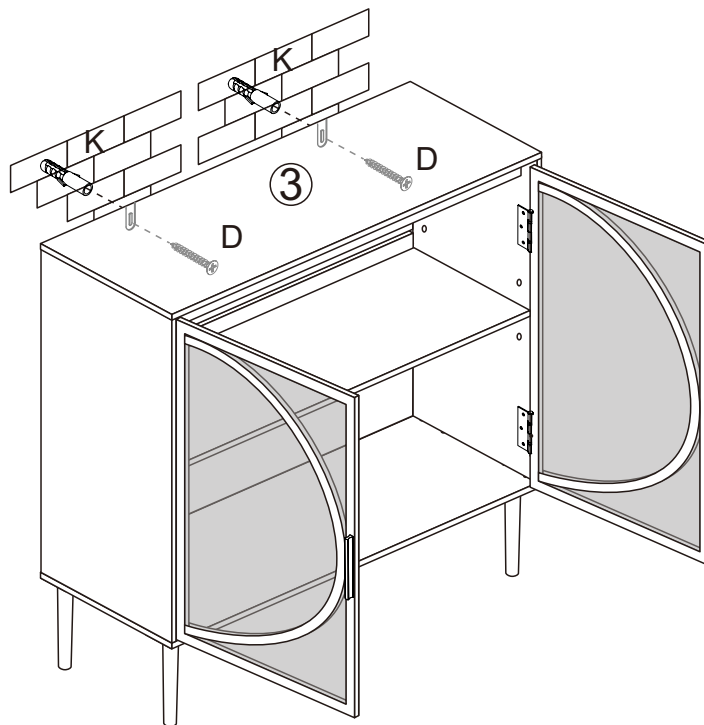
Place part 9 on shelf supporters, as shown.



ASSEMBLY STEPS

STEP 13.

For extra stability, you must fix your Cabinet to the wall using hardware (D and K), as shown. Screws (D) are fixed through wall brackets and into the wall plugs (K). Should you choose not to affix the product to the wall, serious injury may be caused if the product tips over.



STEP 14.

