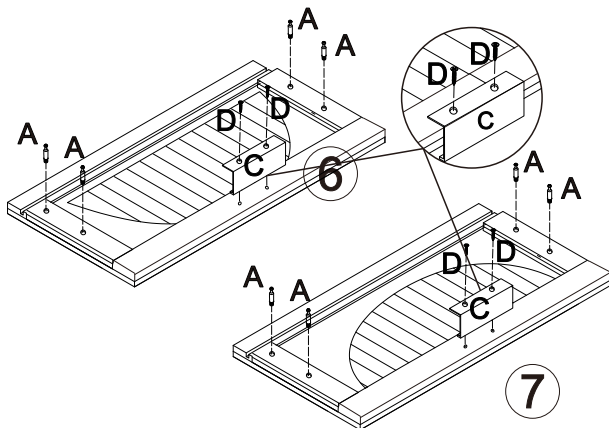
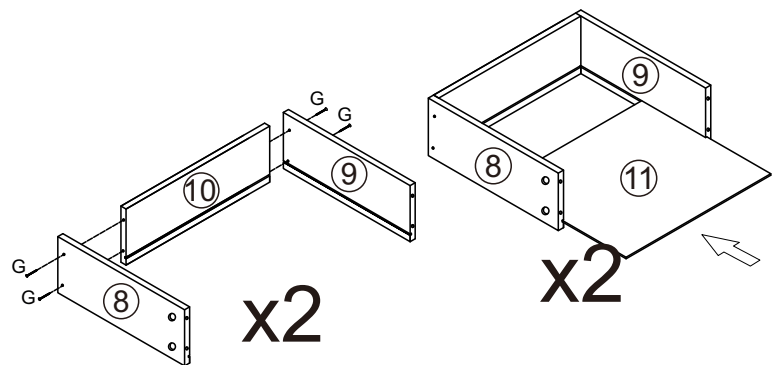


A		12PCS	K		4 PCS
B		12PCS			
C		2 PCS			
D		4 PCS			
E		2 PCS			
F		8 PCS			
G		12PCS			
H		4 PCS			
I		4 PCS			
J		16 PCS			

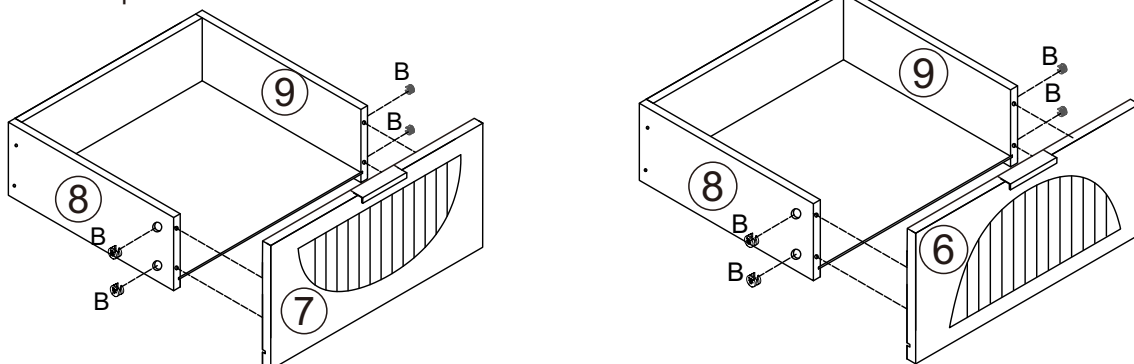
1 Attach the handle (C) using screw (D) & cam bolt (A) on piece 6 & 7.



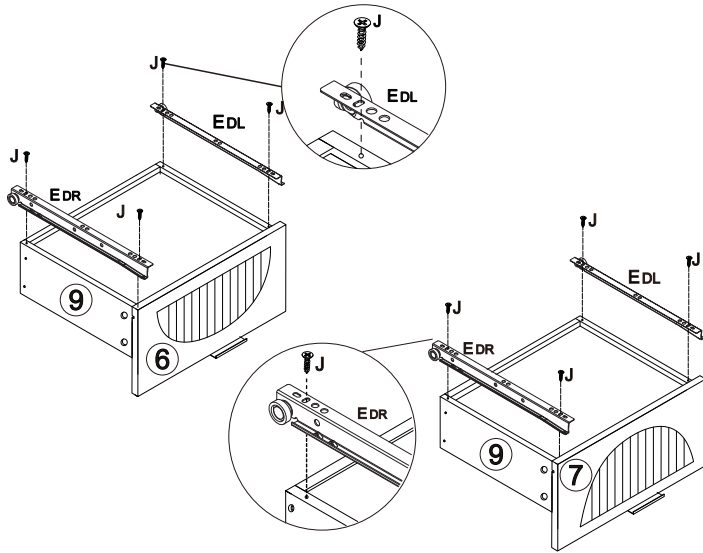
2 Attach pieces 8, 9, & 10 using screws (G). Make sure that the built-in ridge is facing inwards and at the bottom. Slot piece 11 into the ridges.



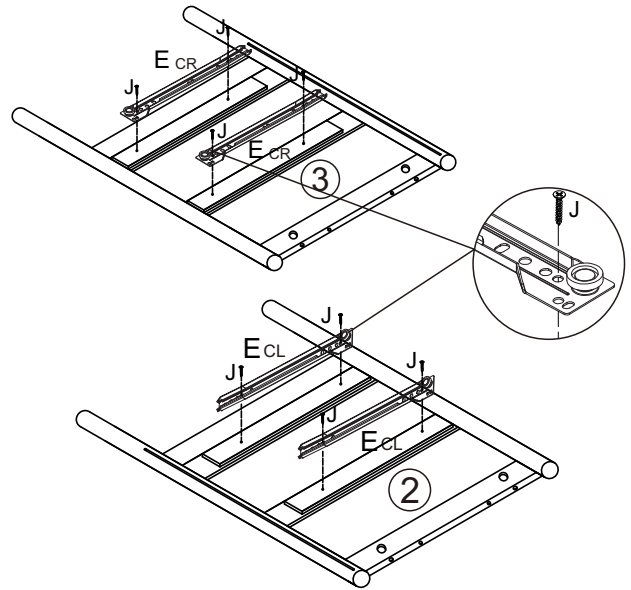
3 First insert the cam locks (B) into the pre-drilled holes on parts 8 & 9. Line up these screws with the pre-drilled holes on the front piece 6 & 7. Once attached, tighten the cam locks (B) using a cross-head screwdriver and ensure the piece is secure.



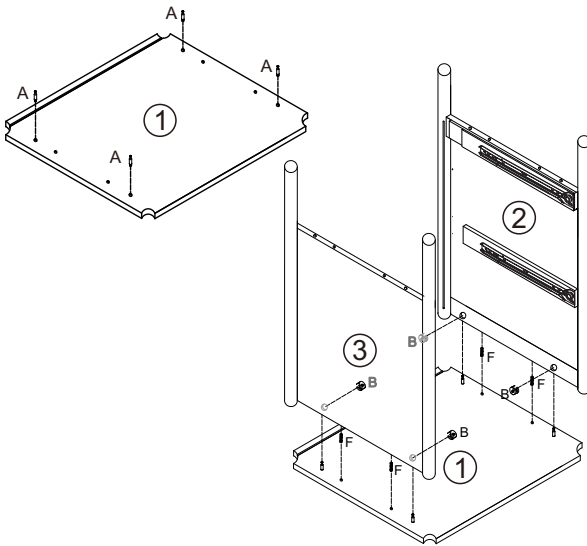
- 4** Turn the drawer upside down.
Line up the holes on the outside pieces with the holes on the runners (EDR & EDL), secure to the drawer using screws (J).



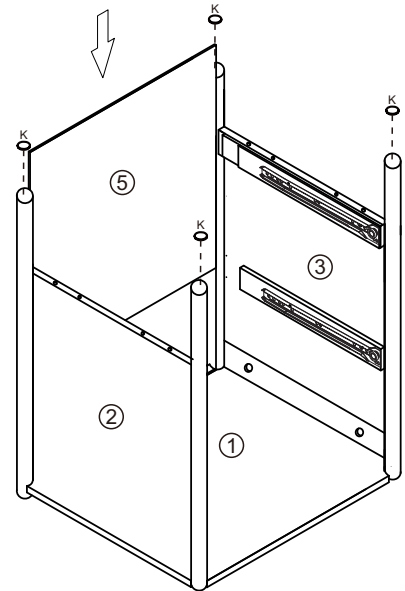
- 5** Attach the runners E to pieces 2 and 3 as shown. Use screws (J).



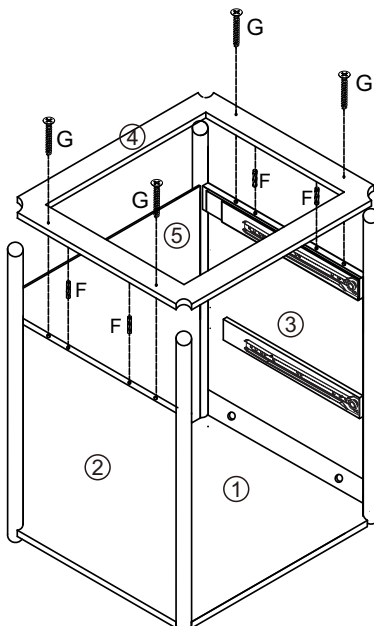
- 6** Attach cam bolt (A) on piece 1, then attach pieces 2 and 3 to Top panel 1 using wooden dowels (F) and cam locks (B).



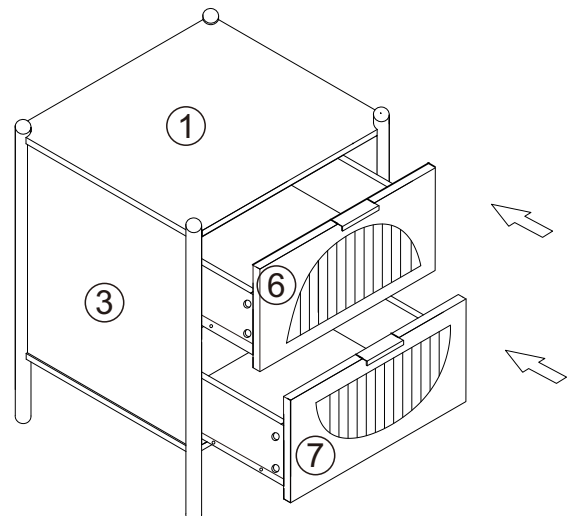
- 7** Slot in piece 5 to the built-in ridges. Put Caps (K) on the leg.



- 8** Add piece 4 to the unit using wooden dowels (F), Screw (G).



- 9** Turn the unit the right way up and insert the drawers.



10 Put the plastic corner support (H) on the backboard 5 using screws (I).
The unit should now be assembled and ready to use.

