



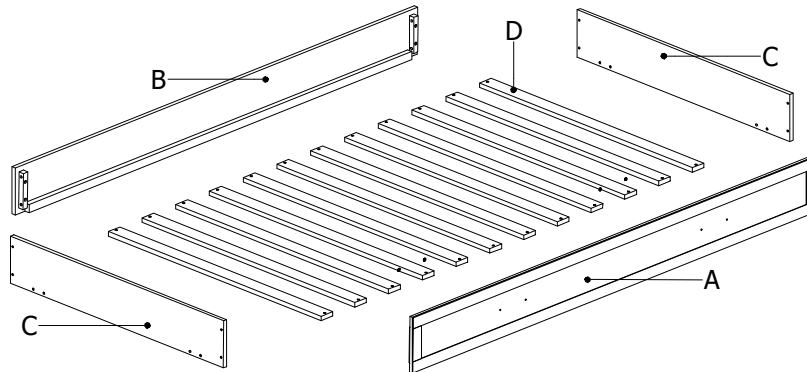


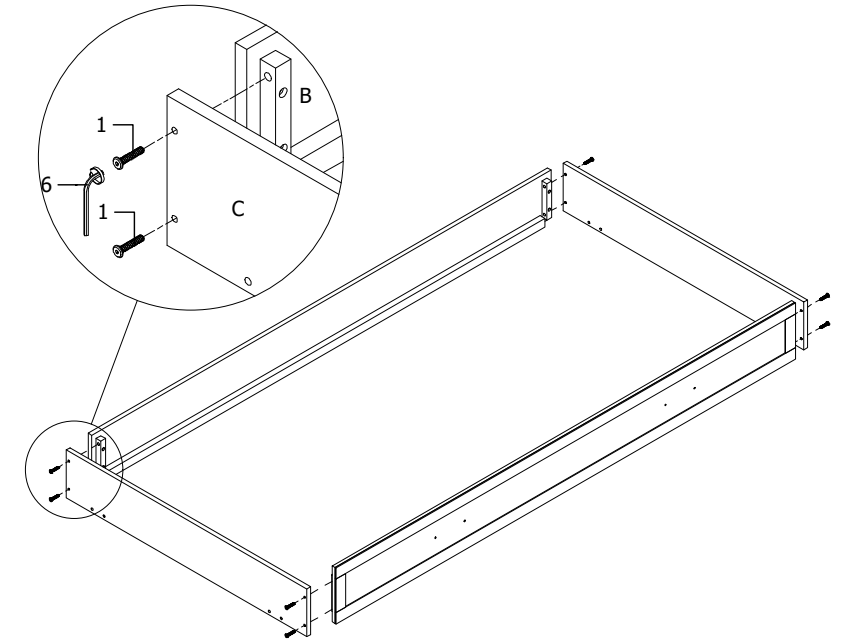
ASSEMBLY INSTRUCTIONS

MODEL : VIVA TRUNDLE

NO	PART LIST	QTY
A	FRONT FRAME 	1
B	BACK FRAME 	1
C	SIDE FRAME 	2
D	SLAT 	12

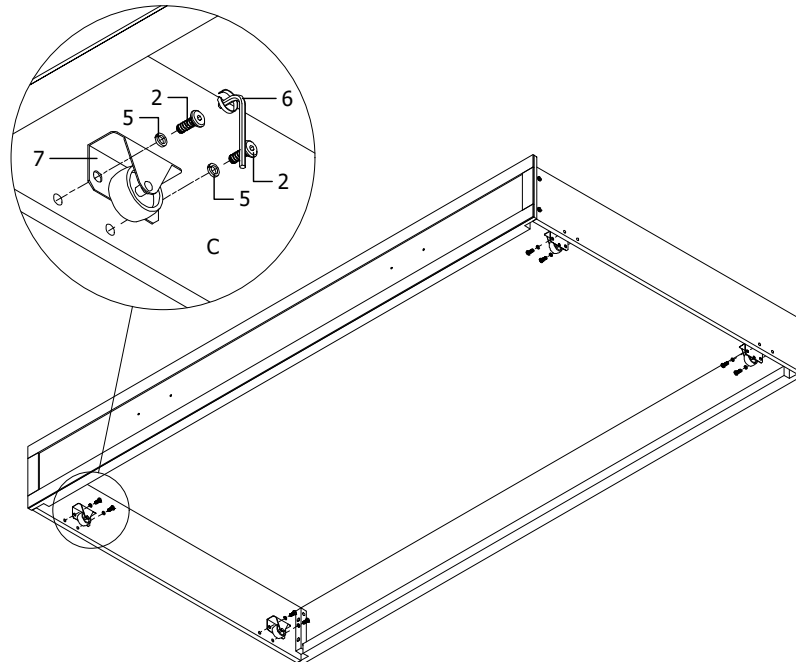


STEP 1



NO	HARDWARE LIST	QTY
1	JCBC M6 x 30mm 	8
2	JCBC M6 x 16mm 	8
3	CSK M4 x 25mm 	24
4	THMS M4 x 19mm 	4
5	SPRING WASHER 	8
6	ALLEN KEY M4 	1
7	CASTER 	4
8	METAL HANDLE 	2
9	WHITE PLASTIC WASHER 	8

STEP 2



ASSEMBLY COMPLETE

