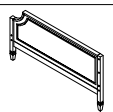
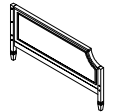
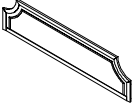
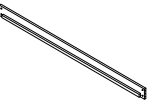
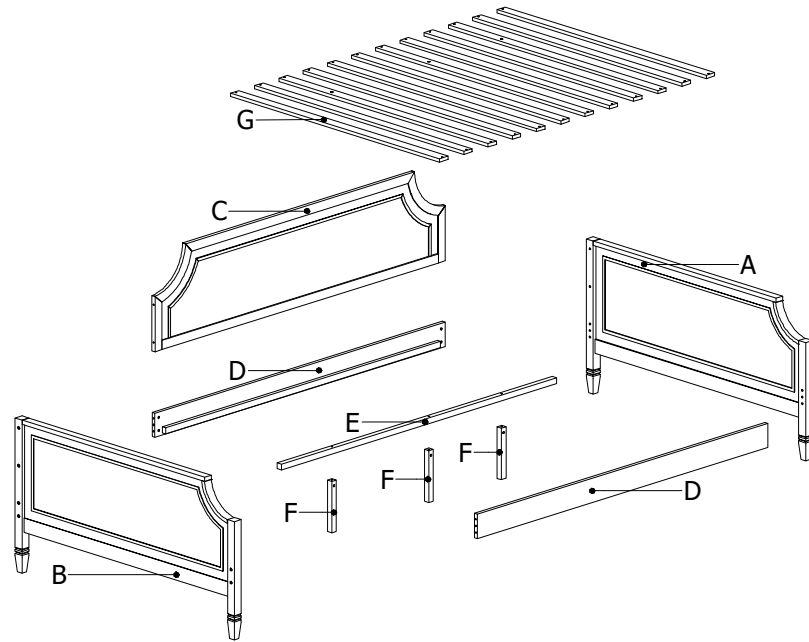


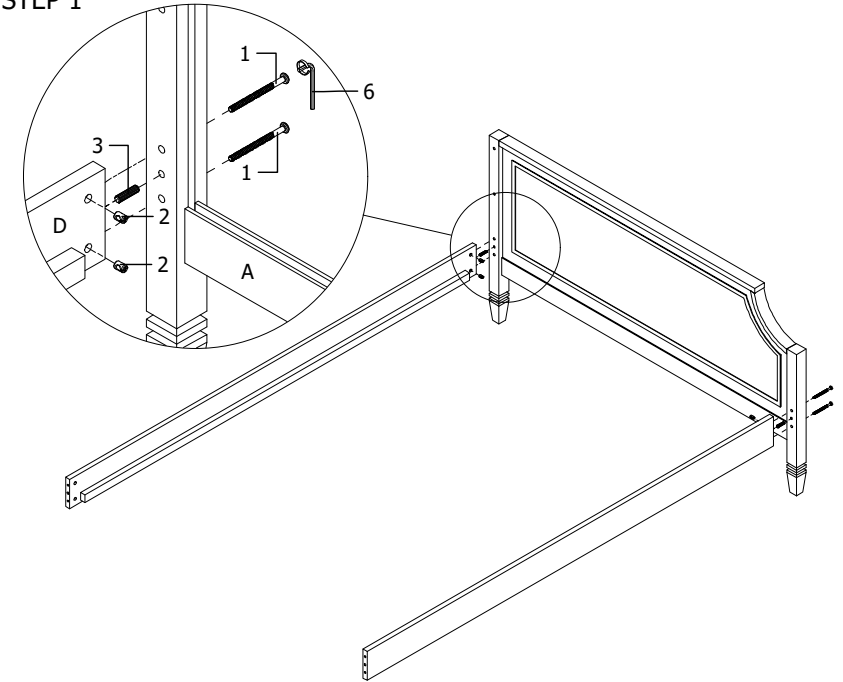
ASSEMBLY INSTRUCTIONS

MODEL : MARIANA FULL DAYBED

NO	PART LIST	QTY
A	SIDE FRAME (R) 	1
B	SIDE FRAME (L) 	1
C	BACK FRAME 	1
D	SIDE RAIL 	2

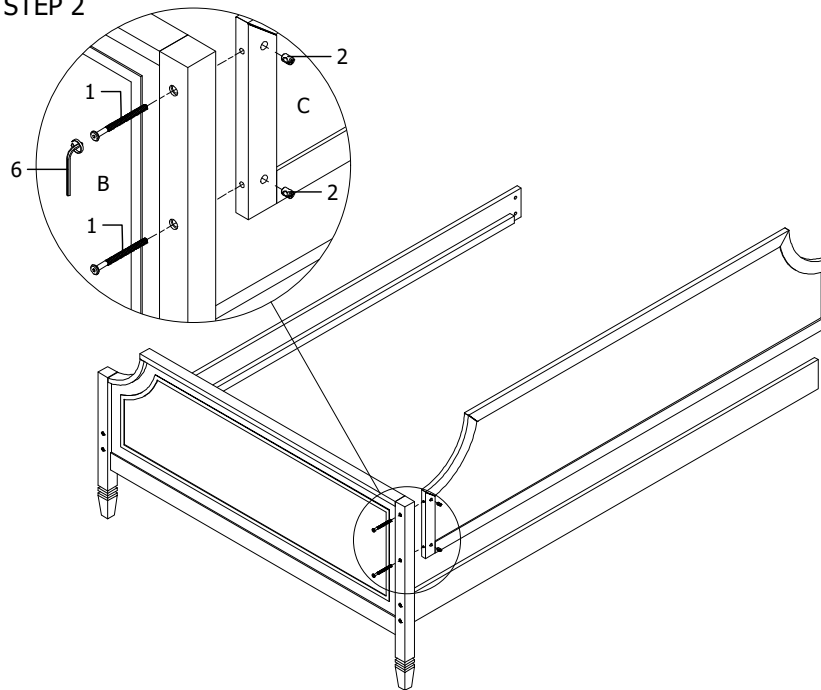


STEP 1

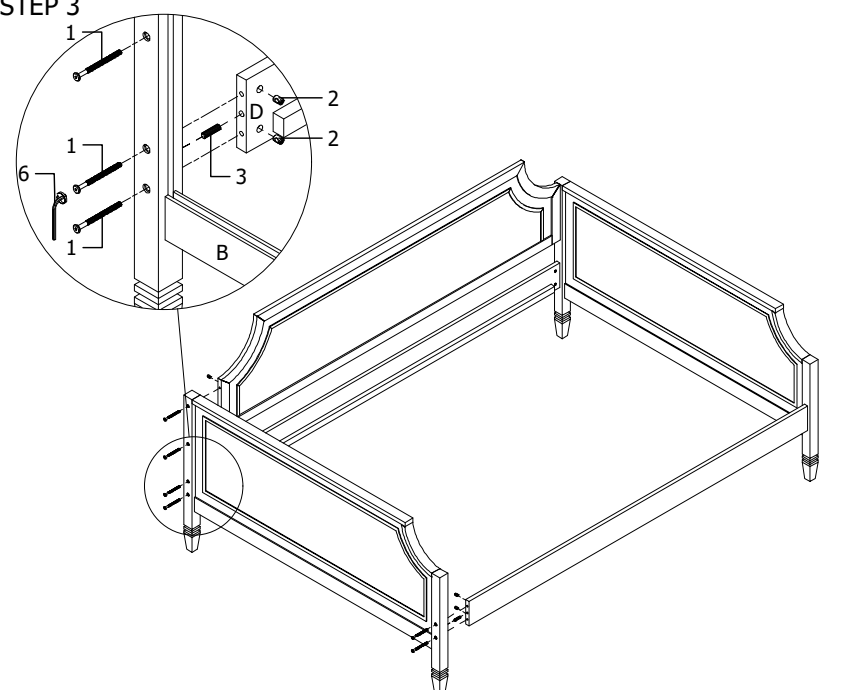


NO	HARDWARE LIST	QTY
1	JCBC M6 x 80mm 	15
2	BARREL NUT 	15
3	W/DOWEL M8 x 30mm 	4
4	CSK M4 x 25mm 	24
5	BASE GLIDE 	3
6	ALLEN KEY M4 	1

STEP 2

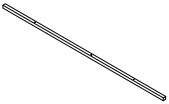
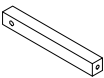
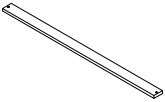


STEP 3

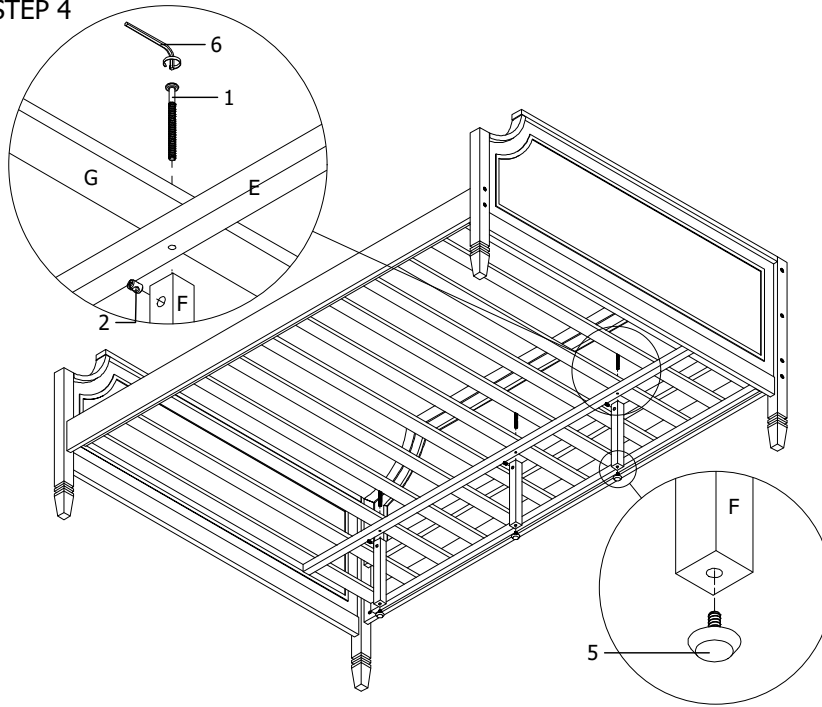


ASSEMBLY INSTRUCTIONS

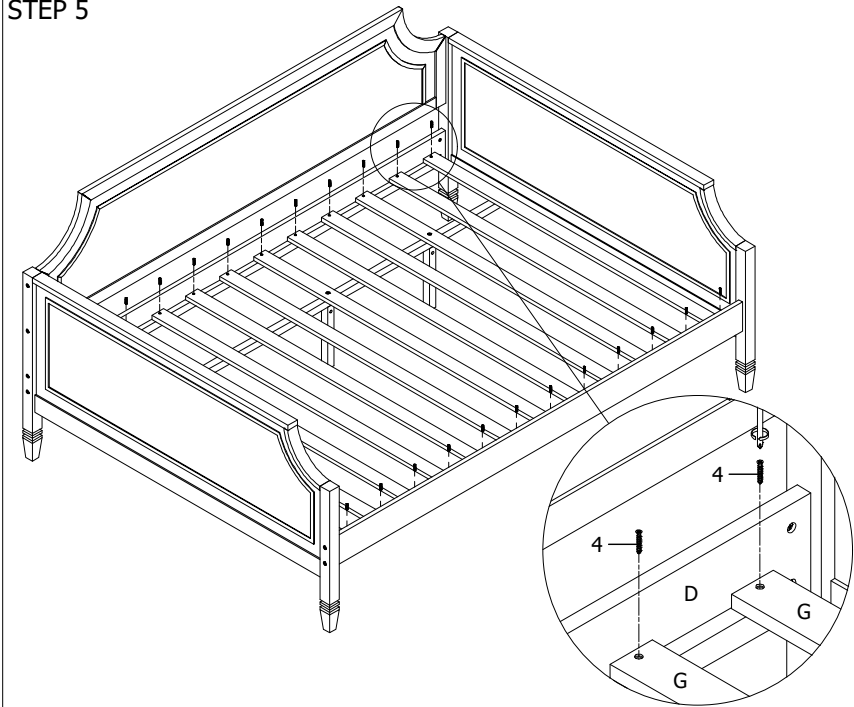
MODEL : MARIANA FULL DAYBED

NO	PART LIST	QTY
E	CENTER SUPPORT 	1
F	CENTER LEG 	3
G	SLAT 	12

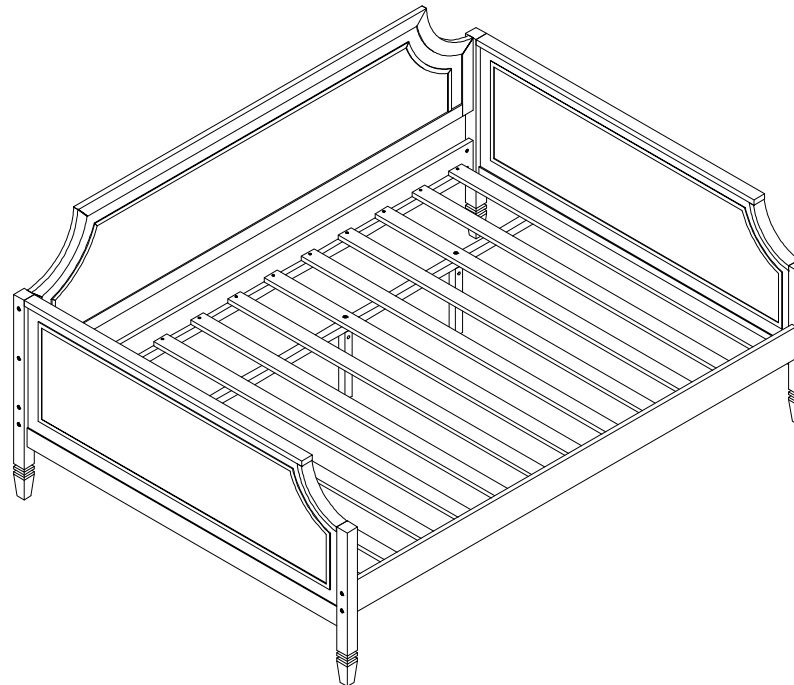
STEP 4



STEP 5

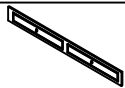

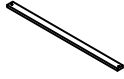



ASSEMBLY COMPLETE



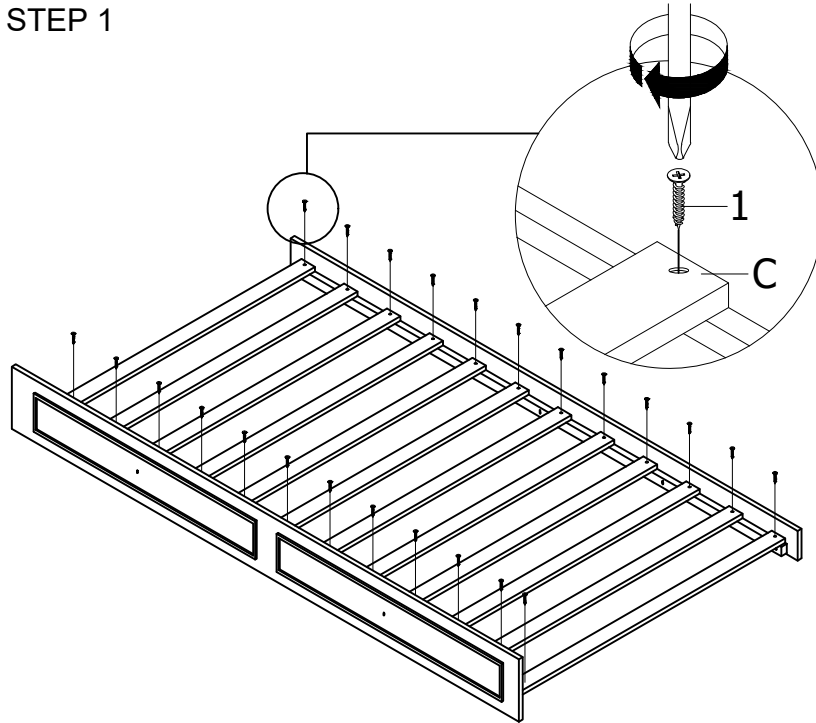
ASSEMBLY INSTRUCTION

MODEL: MARIANA TRUNDLE

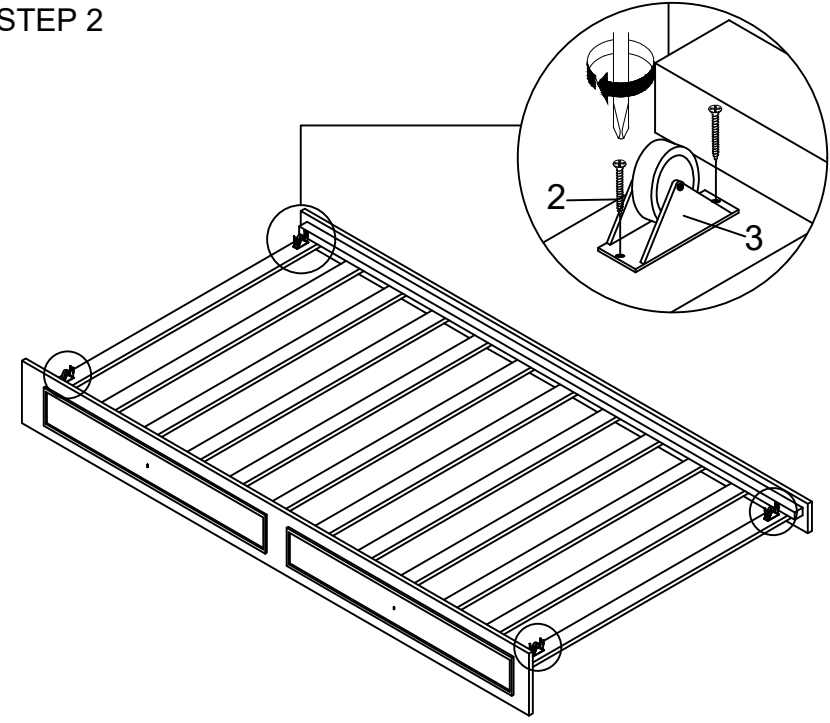
NO	PART LIST	QTY
A	 SIDE RAIL (Front)	1 PCS
B	 SIDE RAIL (Back)	1 PCS
C	 BED SLAT	12 PCS

NO	HARDWARE LIST	QTY
1	 CSK M4 x 25mm	24 PCS
2	 CSK M3.5 x 12mm	8 PCS
3	 ROLLER	4 PCS
4	 HANDLE	2 PCS
5	 THMS M4 x 20mm	2 PCS

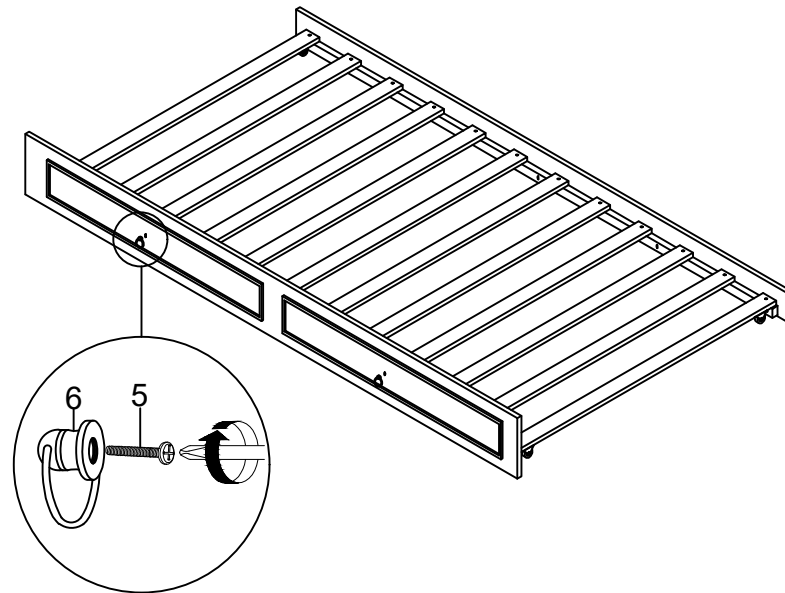
STEP 1



STEP 2



STEP 4



ASSEMBLY COMPLETE

