

LOWRI FULL DAYBED

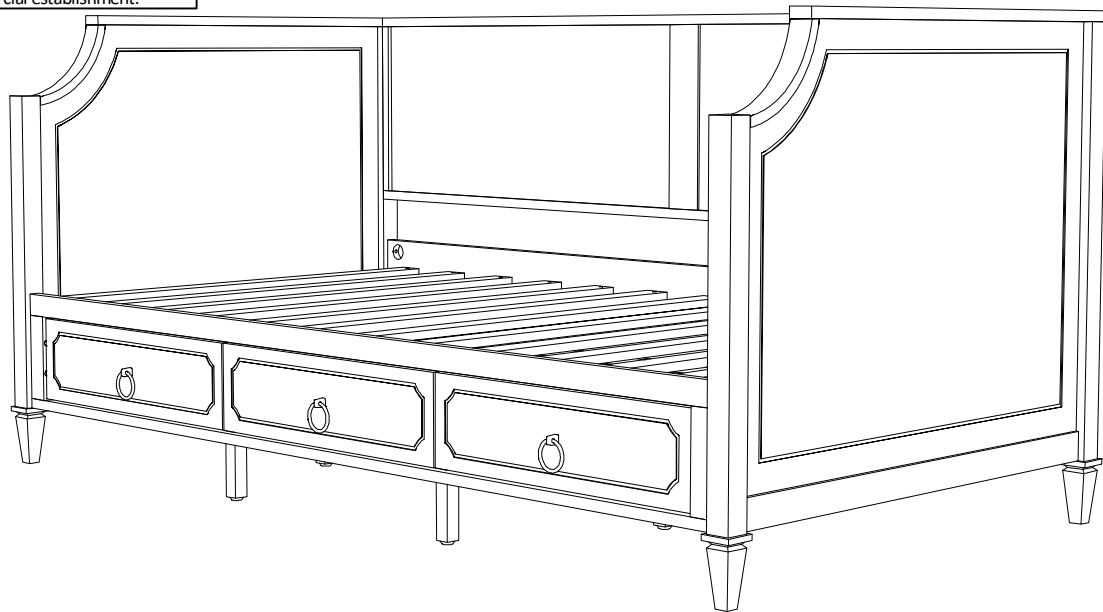
ASSEMBLY TIPS

1. Remove hardware from box and sort by size.
2. Please ensure that all hardware and parts are presented prior start of assembly.
3. Please follow attached instruction in the same sequence as numbered to assure fast and easy assembly.



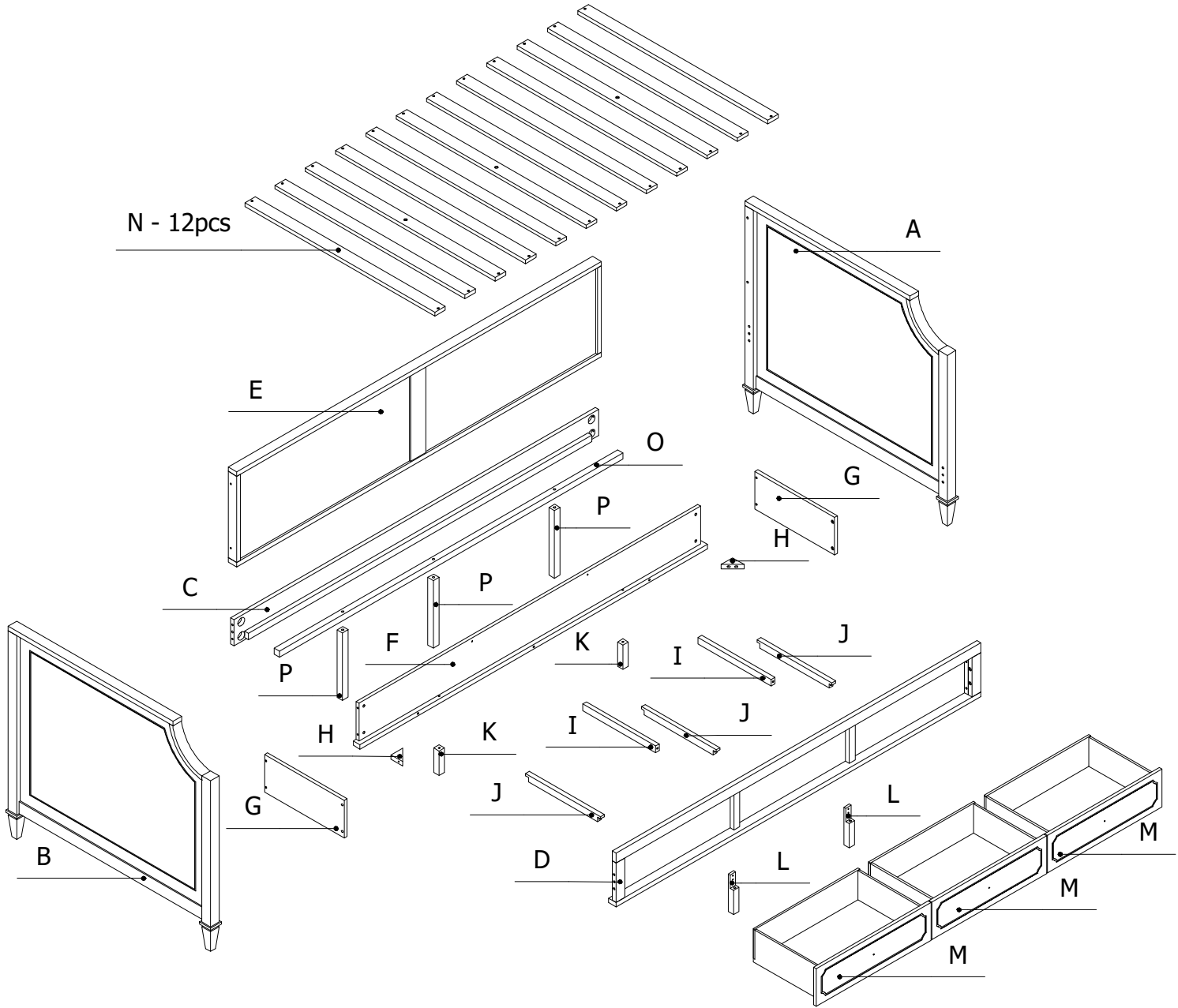
WARNING!

1. Don't attempt to repair or modify part that are broken or defective. Please contact with the store immediately.
2. This product is for home use only and not intended for commercial establishment.



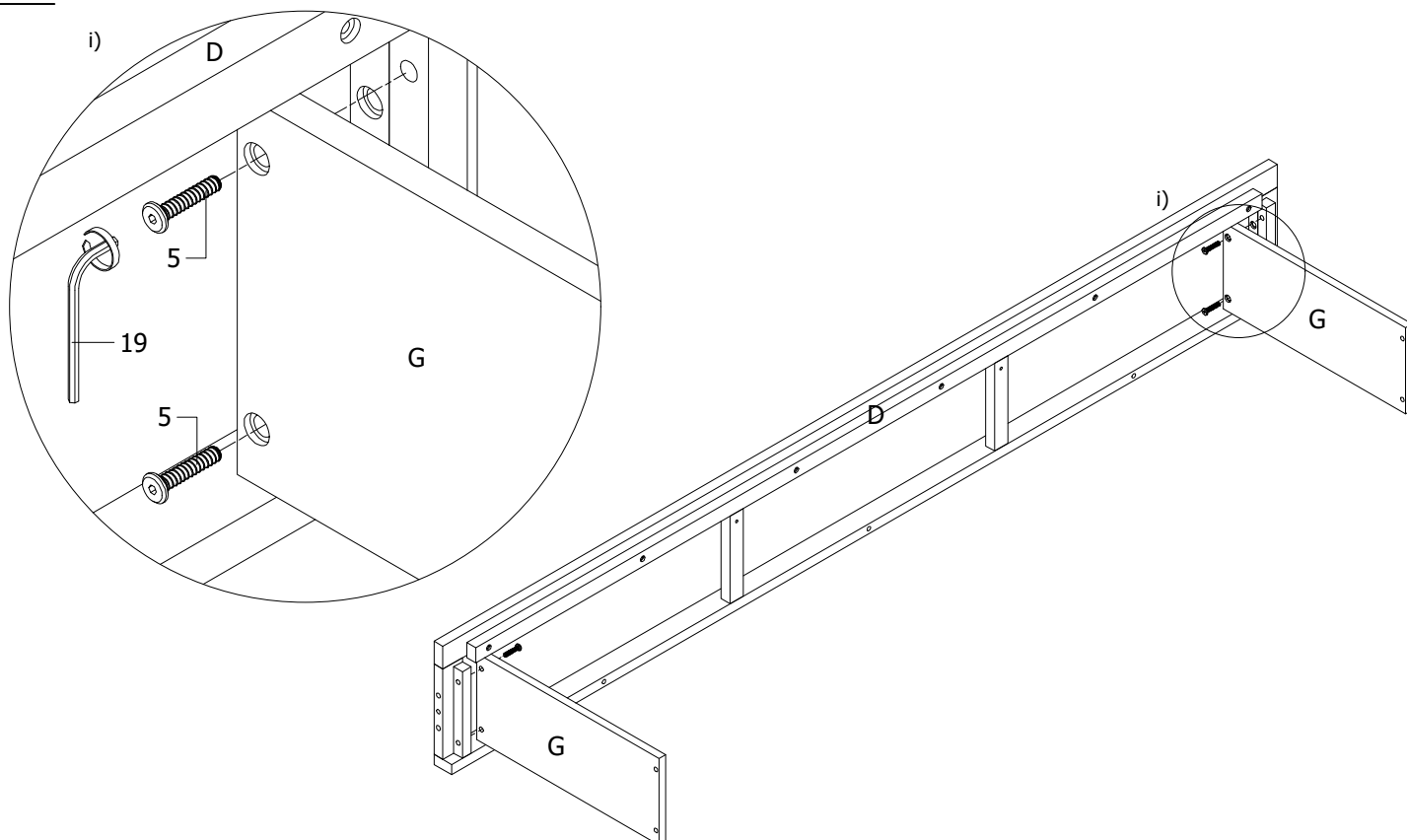
NO	HARDWARE LIST	QTY	NO	HARDWARE LIST	QTY
1	FULL THREAD STUD M6 x 70mm	4 PCS	11	HOUSING	4 PCS
2	JCBC M6 x 60mm	6 PCS	12	L-BRACKET	6 PCS
3	JCBC M6 x 50mm	4 PCS	13	CSK M4 x 25mm	32 PCS
4	JCBC M6 x 40mm	4 PCS	14	CSK M3.5 x 12mm	12 PCS
5	JCBC M6 x 30mm	4 PCS	15	THMS M4 x 28mm	3 PCS
6	BARREL NUT	9 PCS	16	BASE GLIDE	7 PCS
7	HEX NUT M6	4 PCS	17	HANDLE	3 PCS
8	NYLON WASHER	4 PCS	18	SPANNER	1 PCS
9	WOODEN DOWEL M8 x 30mm	6 PCS	19	ALLEN KEY M4	1 PCS
10	MINIFIX	4 PCS	20	JCBC M6 x 80mm	3 PCS

PART LIST



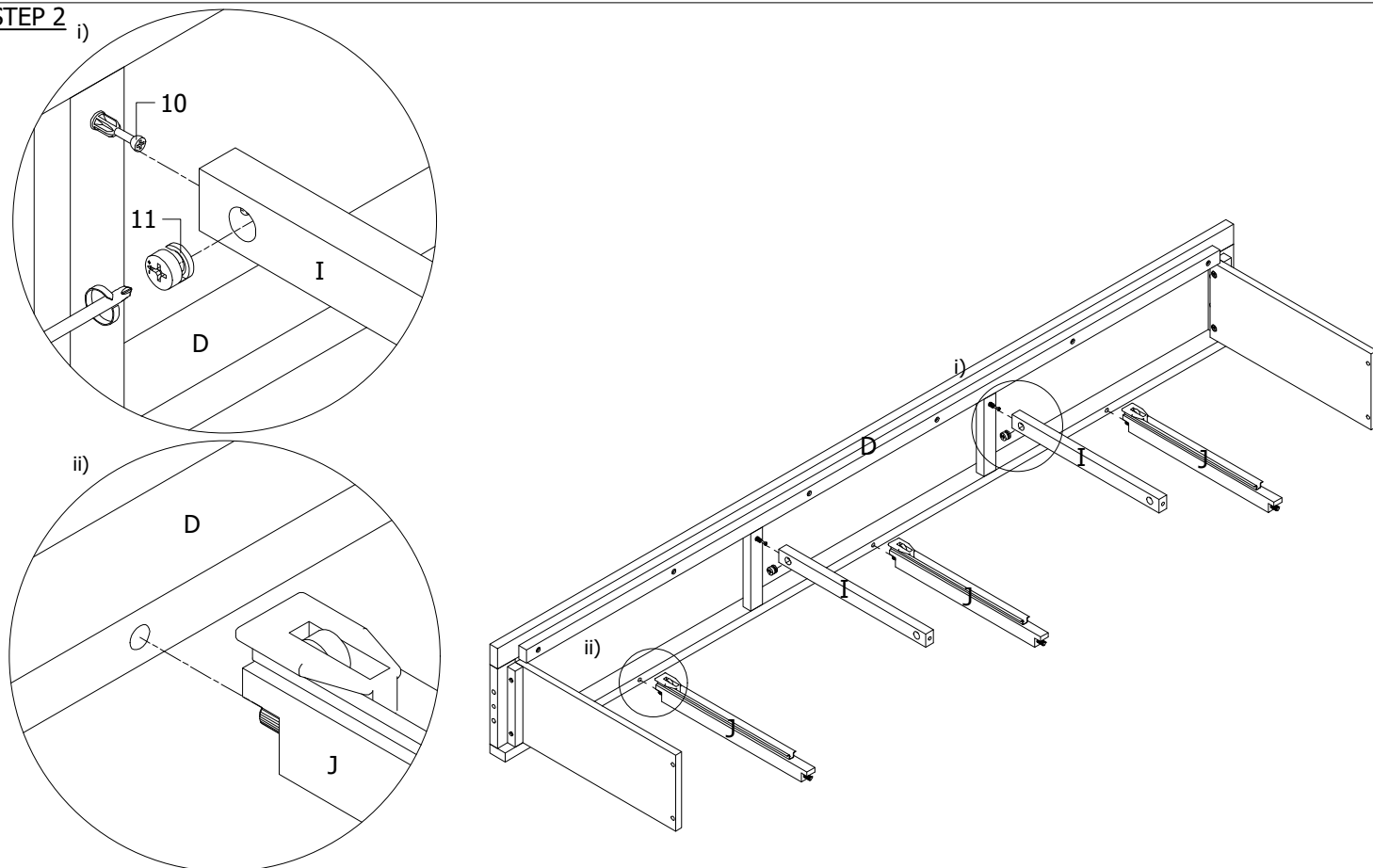
ASSEMBLY INSTRUCTION

STEP 1



- Attach Side Panel(G) to Front Frame(D) and tighten JCBC M6 x 30mm(5) by using Allen Key M4(19). Repeat the procedure for other side.

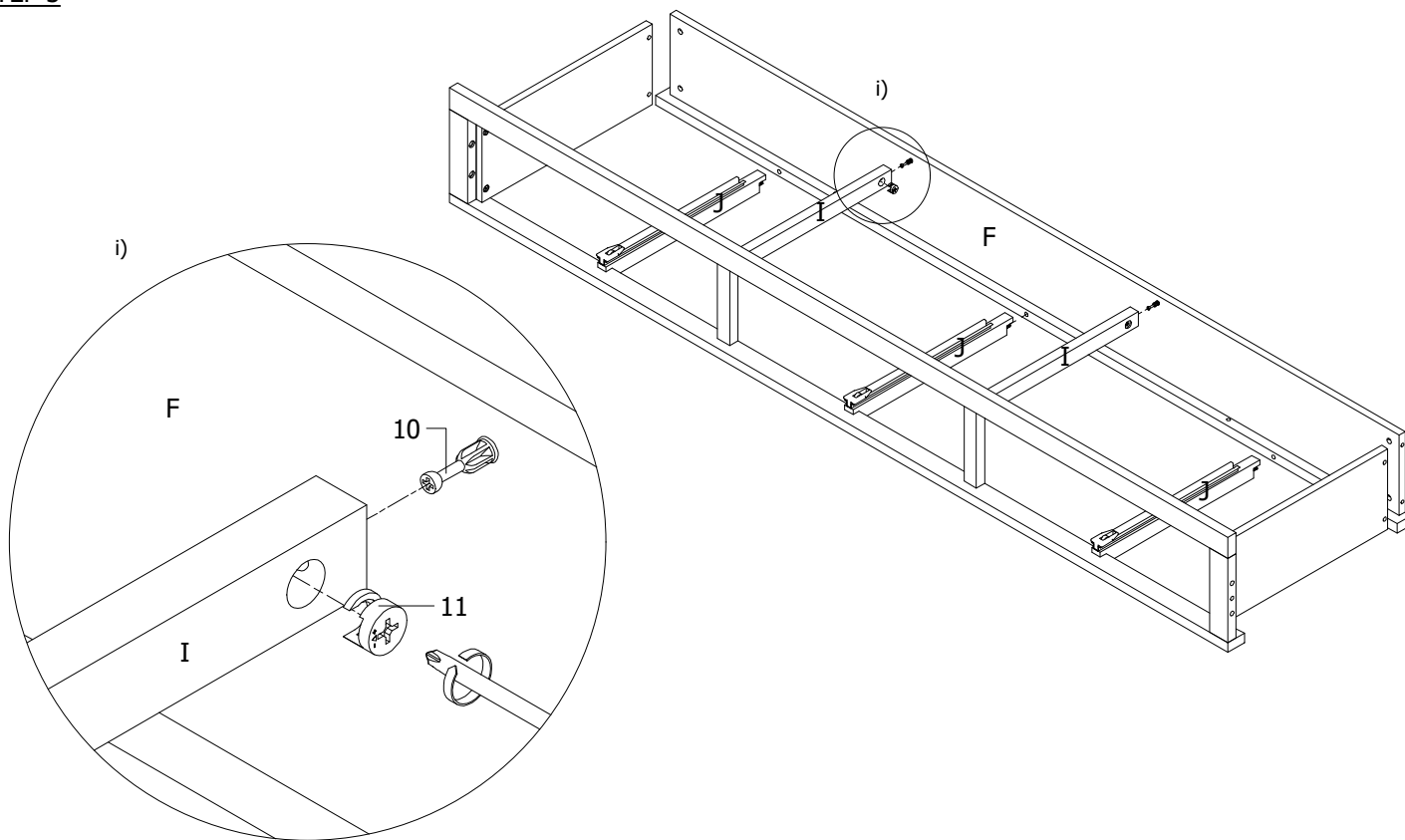
STEP 2



- Tight Minifix(10) into hole of Front Frame(D) and insert Housing(11) into hole of Support(I).
- Attach Support(I) to the Front Frame(D) and tighten Housing(11) by using screw driver.
- Attach Slider Support(J) to the Front Frame(D). Repeat the procedure for other side.

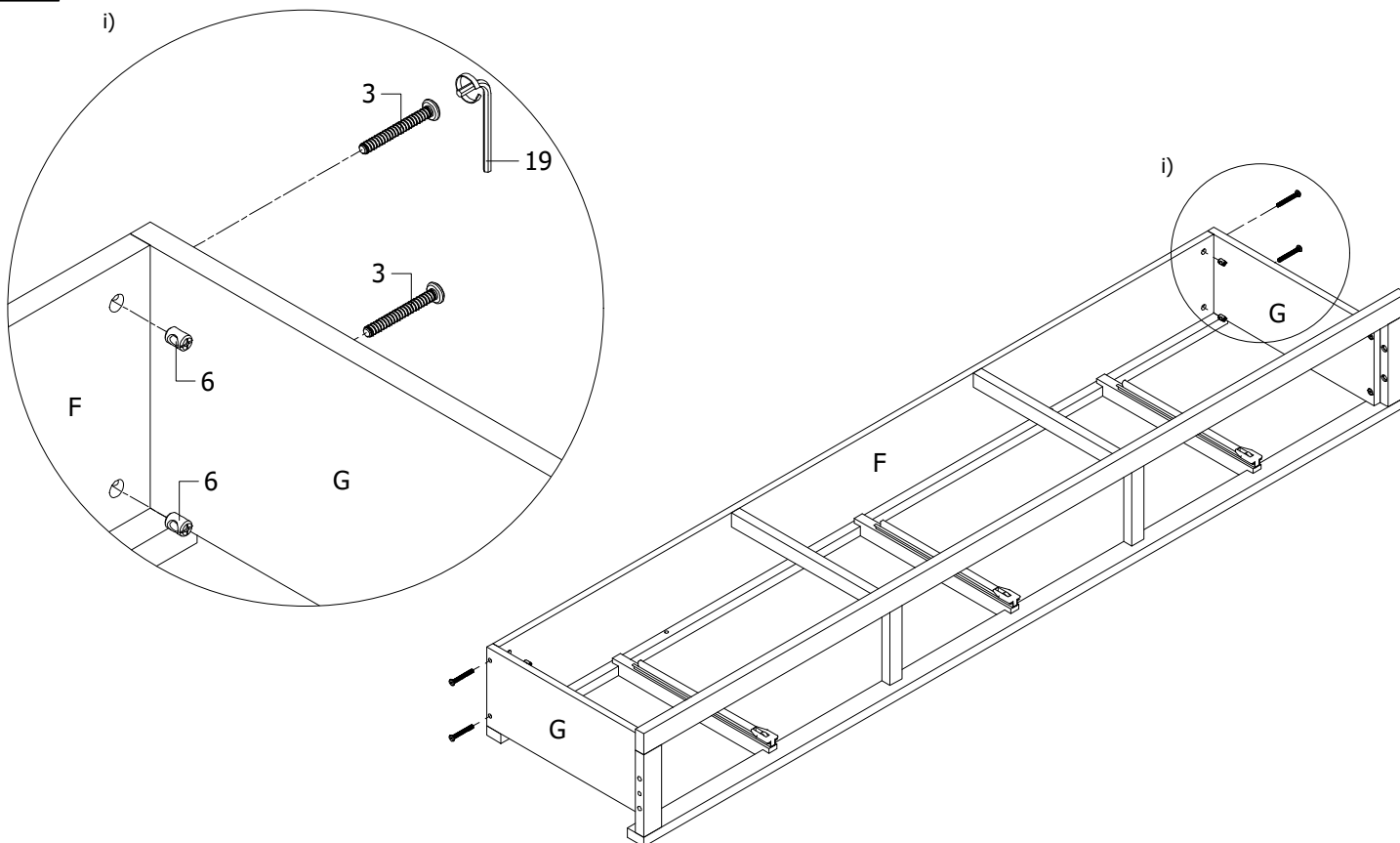
ASSEMBLY INSTRUCTION

STEP 3



- Tight Minifix(10) into hole of Back Frame(F) and insert Housing(11) into hole of Support(I).
- Attach Back Frame(F) to Support(I) & Slider Support(J) and tighten Housing(11) by using screw driver.
- Repeat the procedure for other side.

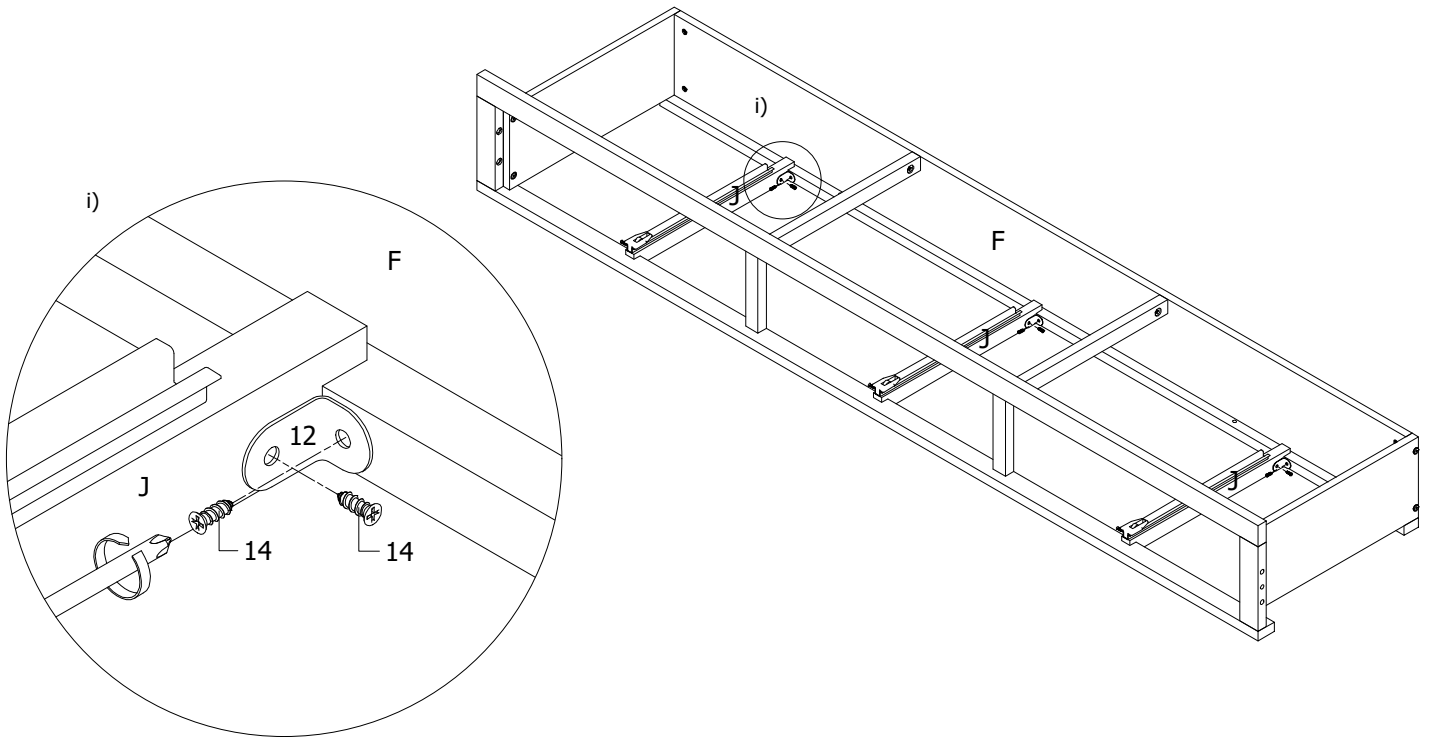
STEP 4



- Insert Barrel Nut(6) into hole of Back Frame(F) and tighten JCBC M6 x 50mm(3) by using Allen Key M4(19). Repeat the procedure for other side.

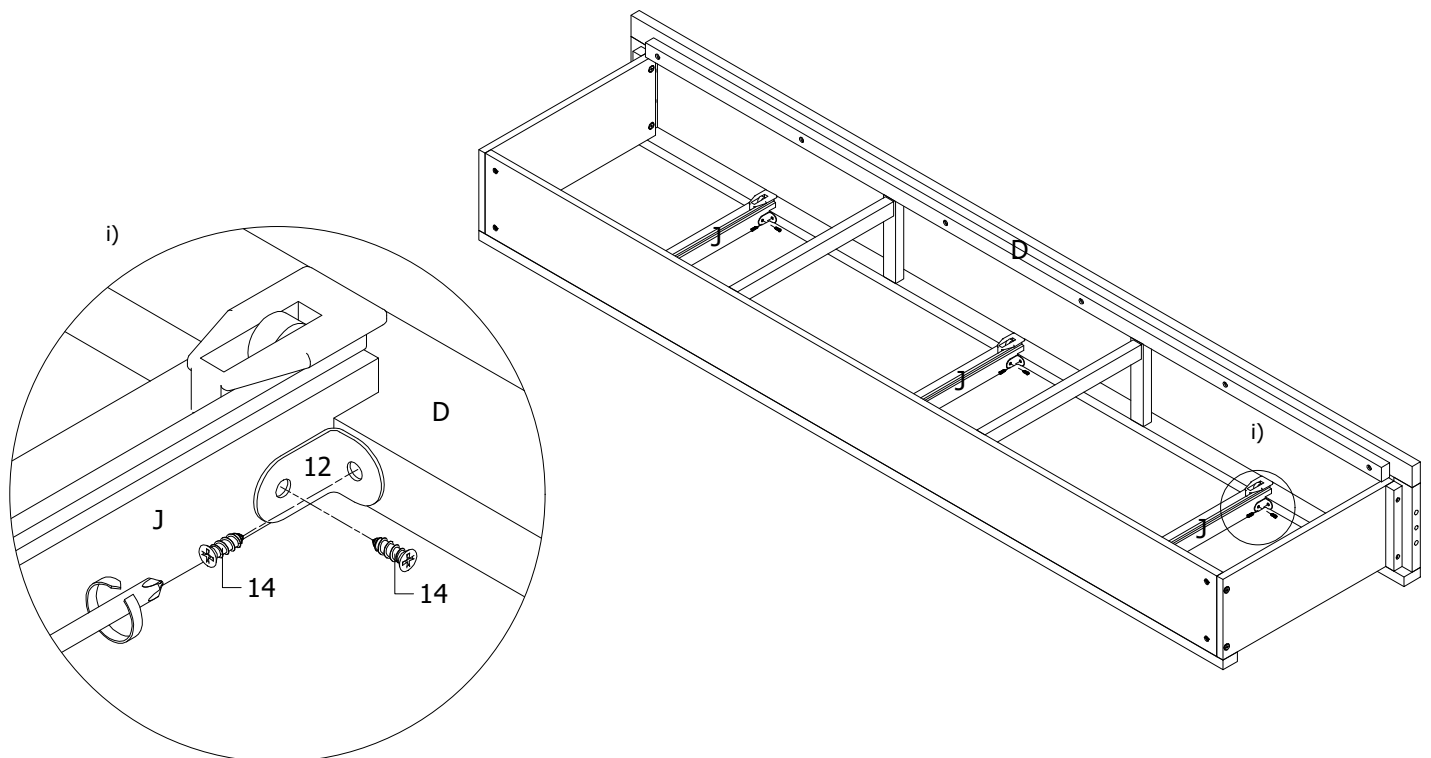
ASSEMBLY INSTRUCTION

STEP 5



- Attach L-Bracket(12) to Back Frame(F) & Slider Support(J) and tighten CSK 3.5 x 12mm(14) by using screw driver.
- Repeat the procedure for other side.

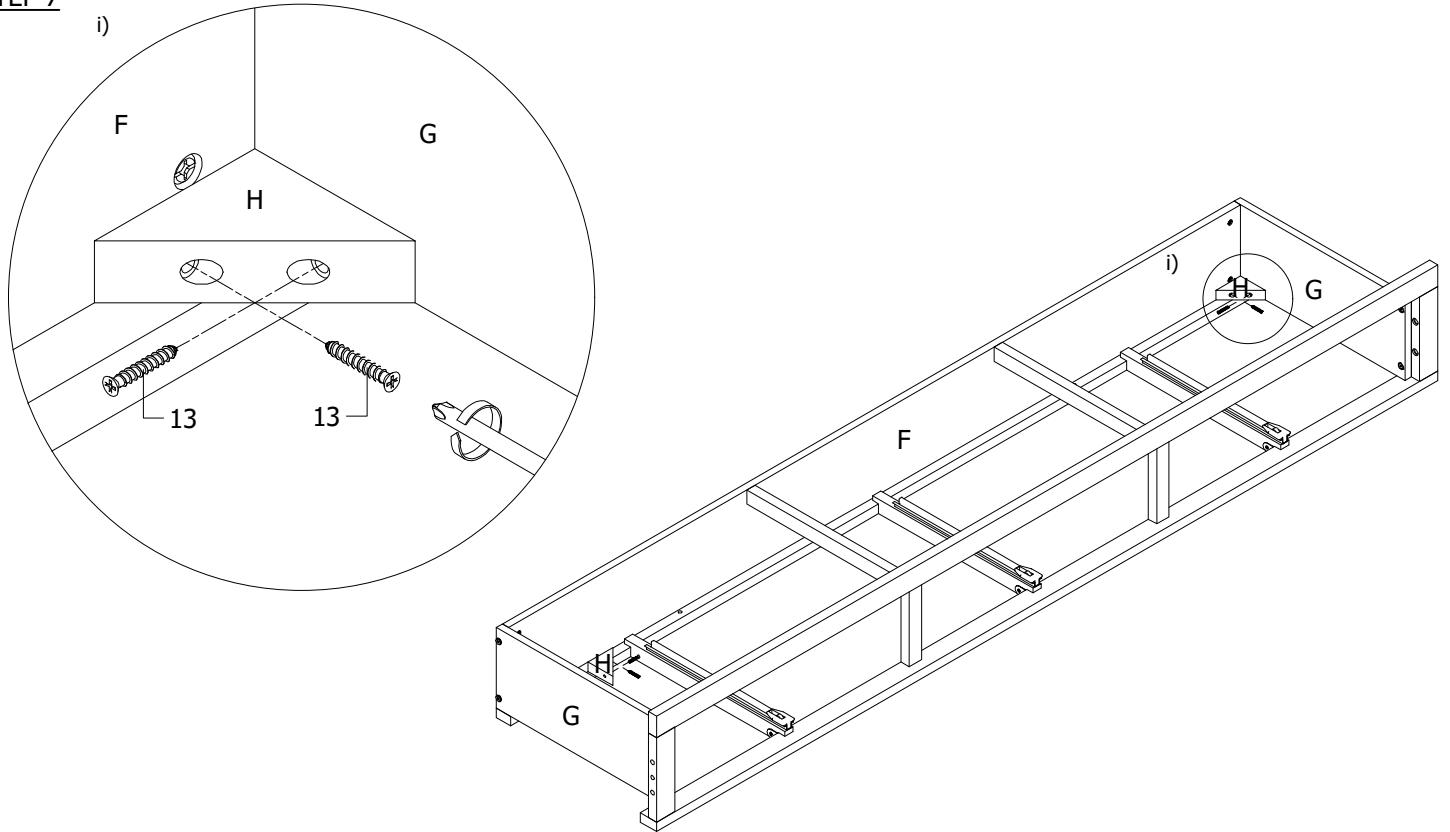
STEP 6



- Attach L-Bracket(12) to Front Frame(D) & Slider Support(J) and tighten CSK 3.5 x 12mm(14) by using screw driver.
- Repeat the procedure for other side.

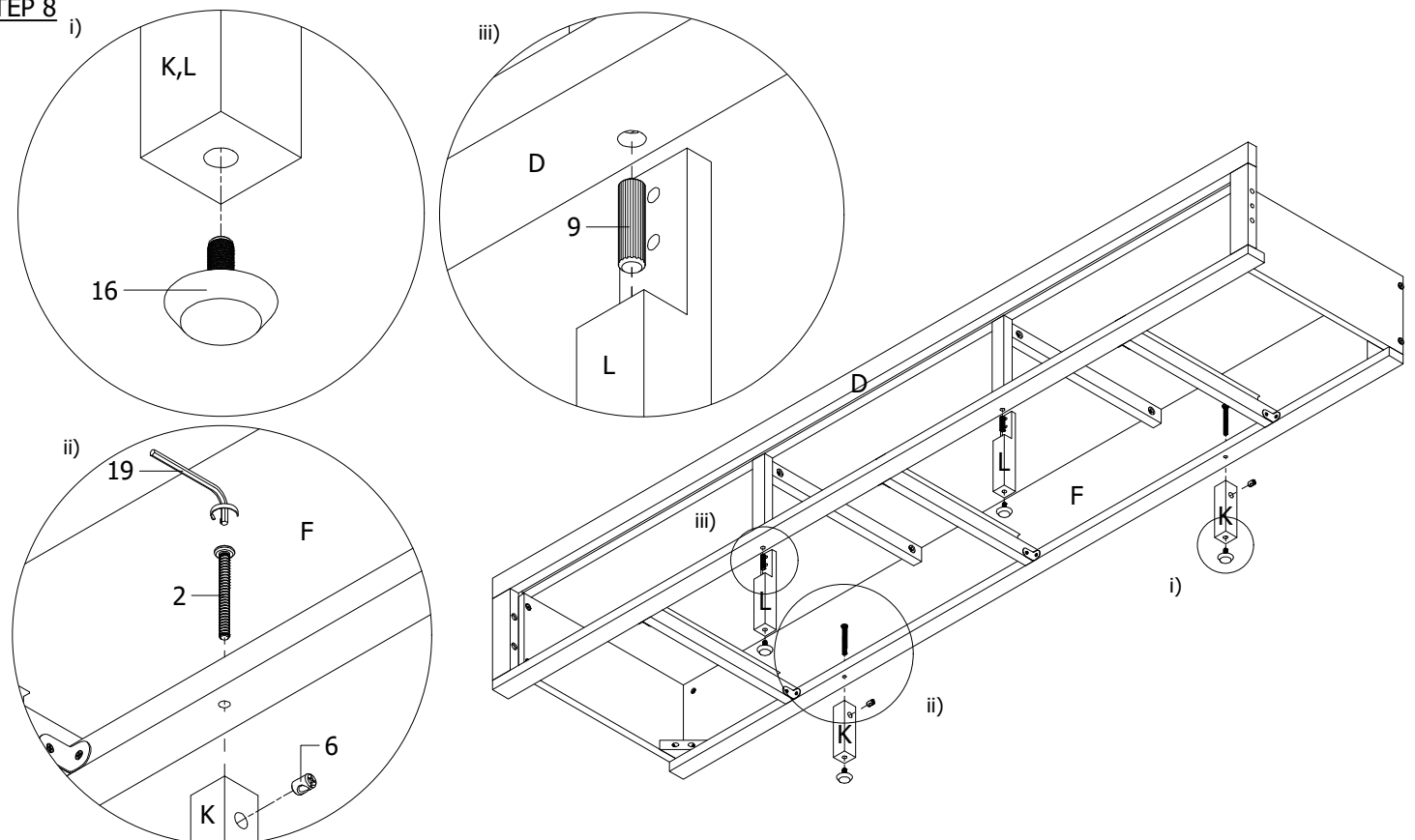
ASSEMBLY INSTRUCTION

STEP 7



- Attach Corner Block(H) to the Side Panel(G) & Back Frame(F) and tighten CSK M4 x 25mm(13) by using screw driver. Repeat the procedure for other side.

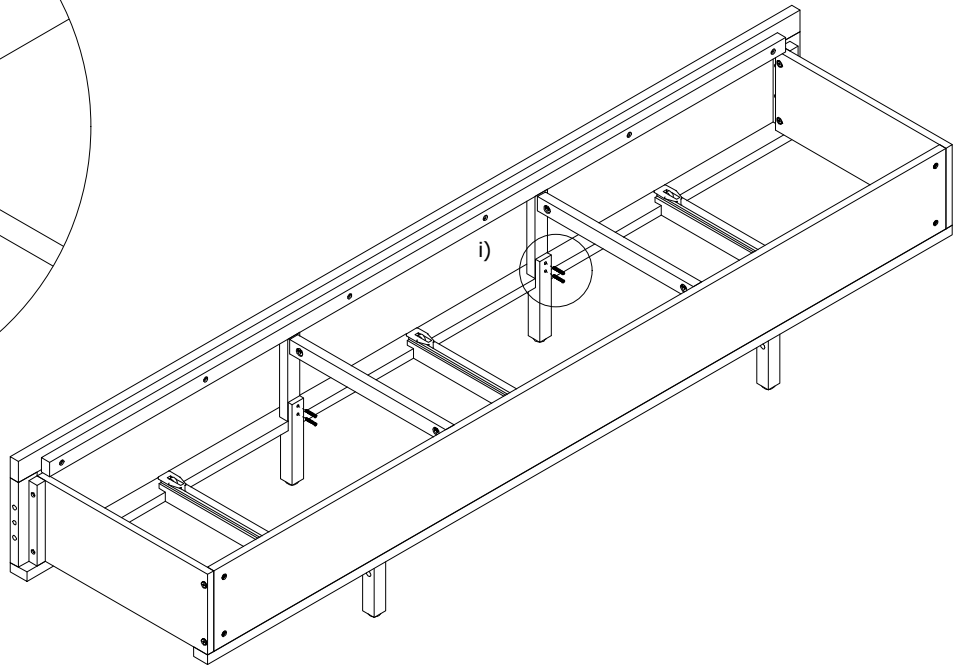
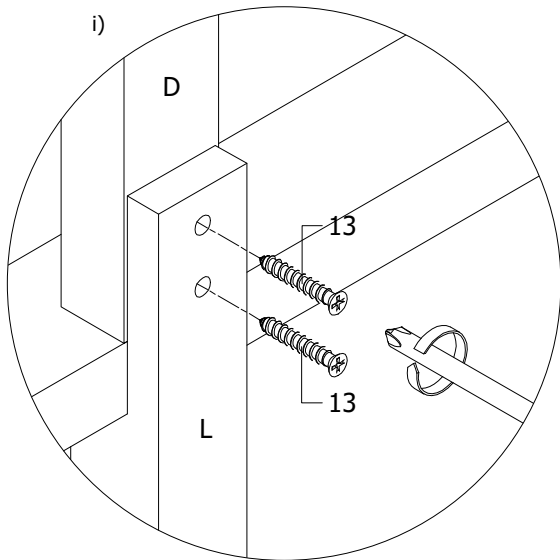
STEP 8



- Tight Base Glide(16) into hole of bottom Leg Support(K,L) first.
- Insert Barrel Nut(6) into hole of Leg Support(L) and tighten JCBC M6 x 60mm(2) by using Allen Key M4(19).
- Insert Wooden Dowel(9) into hole of top Leg Support(L) and attach to Front Frame(D).

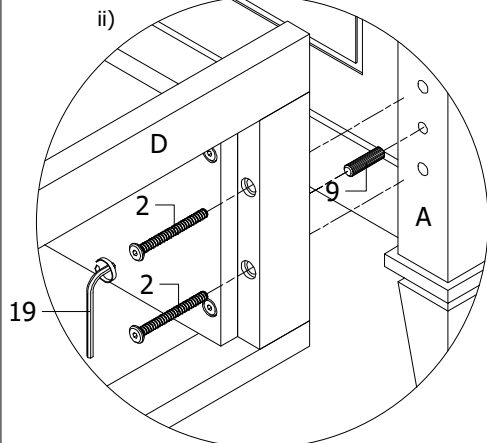
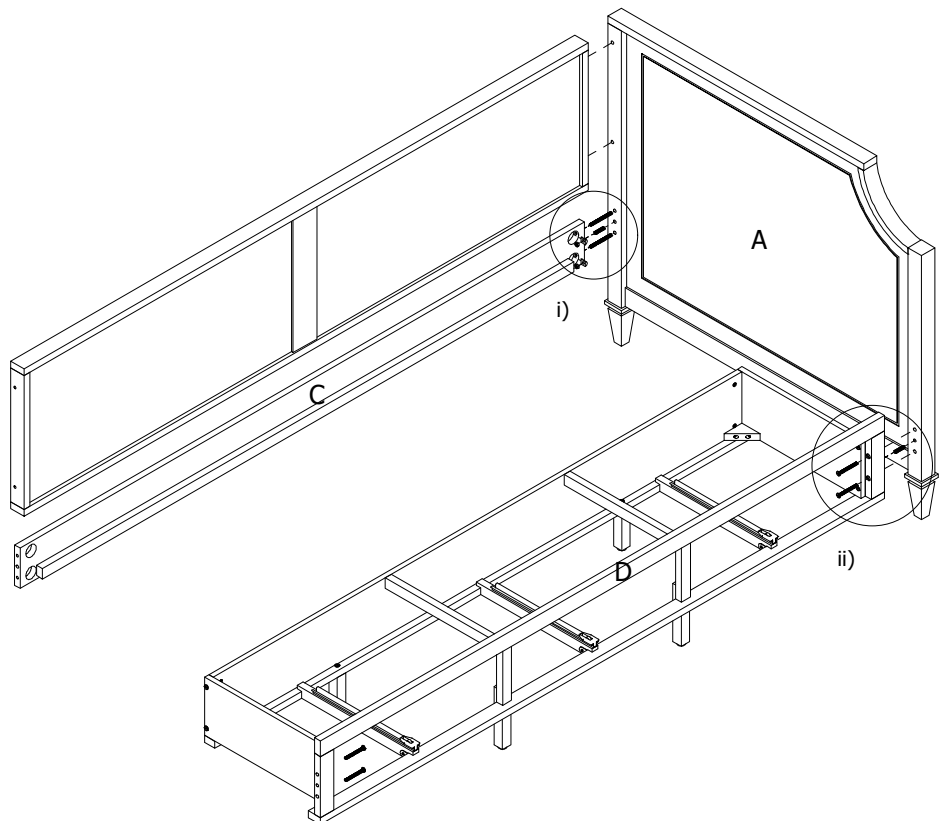
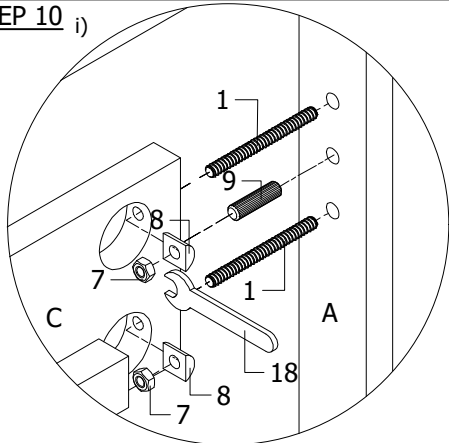
ASSEMBLY INSTRUCTION

STEP 9



- Tight CSK M4 x 25mm(13) into hole of Leg Support(L) by using screw driver. Repeat the procedure for other side.

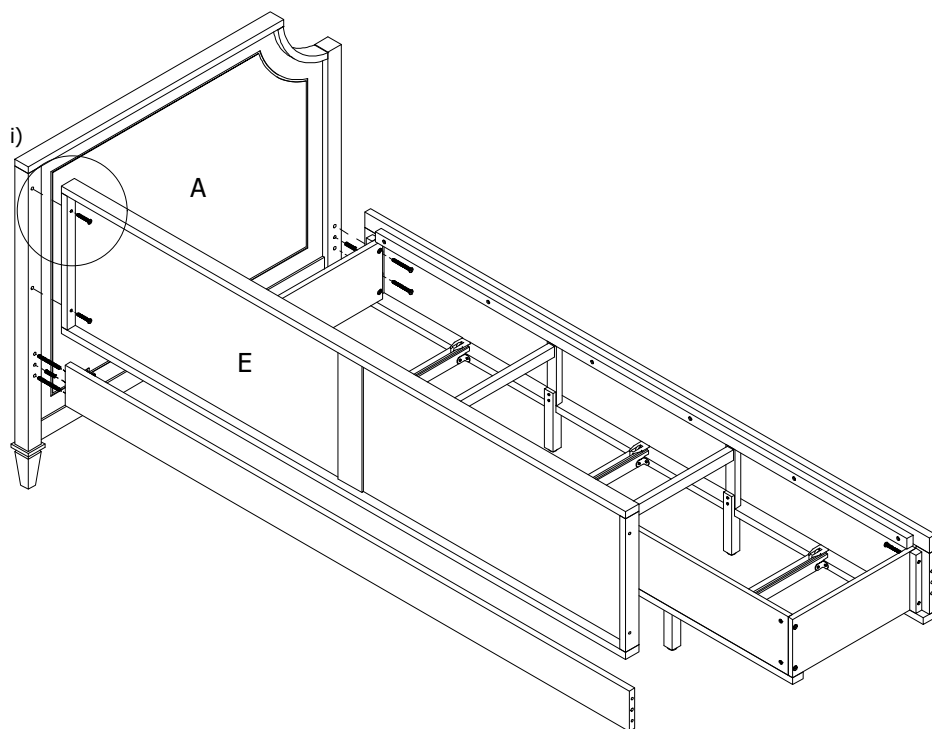
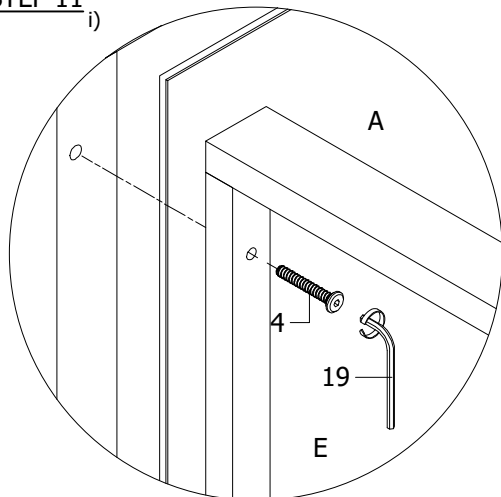
STEP 10



- Tight a Full Thread Stud M6 x 70mm(1) into the hole of Headboard Bedpost(A).
- Insert Wooden Dowel M8 x 30mm(9) into hole of Side Rail(C) & Front Frame(D).
- Attach Side Rail(C) to the bedpost by inserting Nylon Washer(8) & Hex Nut M6(7) into the hole of Side Rail(C).
- Tighten Hex Nut M6(7) with the Full Thread Stud M6 x 70mm(1) by using Spanner(18) securely.
- Attach Assembly Drawer Frame(D) to the Front Bedpost(A) and tighten JCBC M6 x 60mm(2) by using Allen Key M4(19).

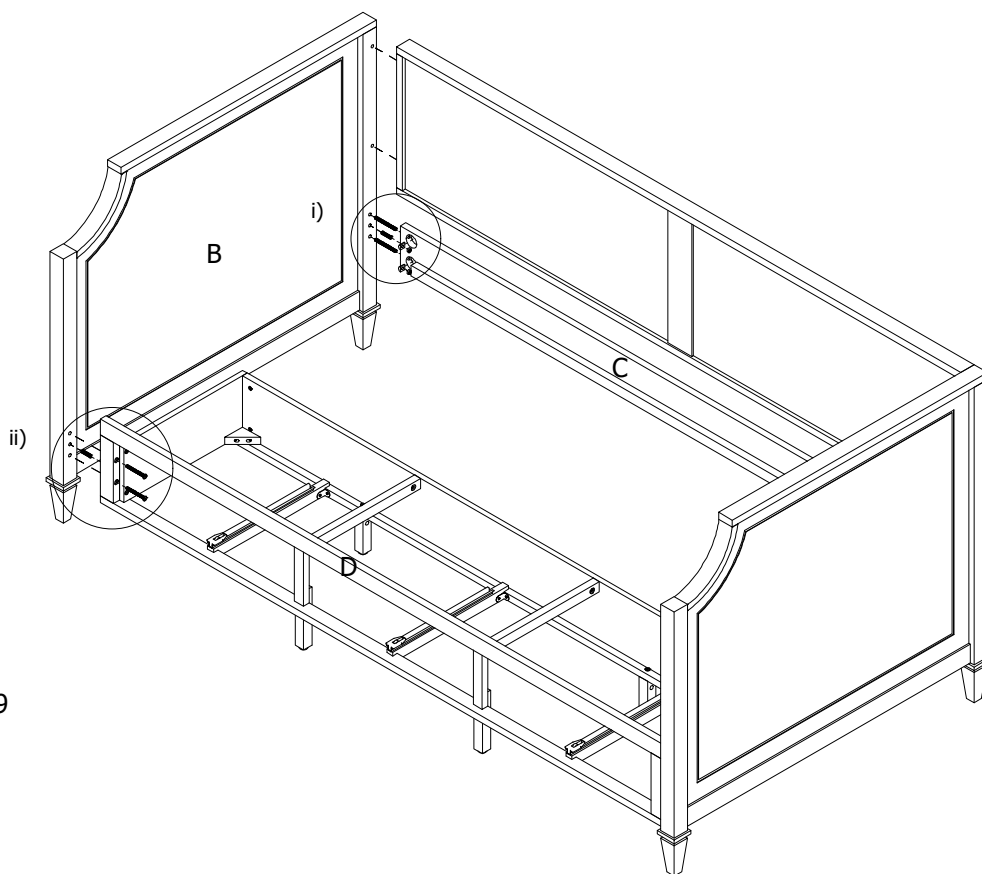
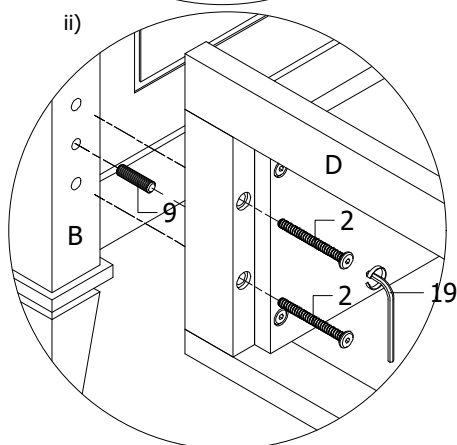
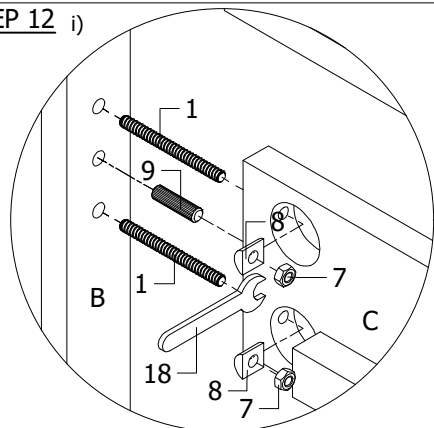
ASSEMBLY INSTRUCTION

STEP 11



- Attach Back Panel(E) to Headboard Bedpost(A) and tighten JCBC M6 x 40mm(4) by using Allen key M4(19). Repeat the procedure for other side.

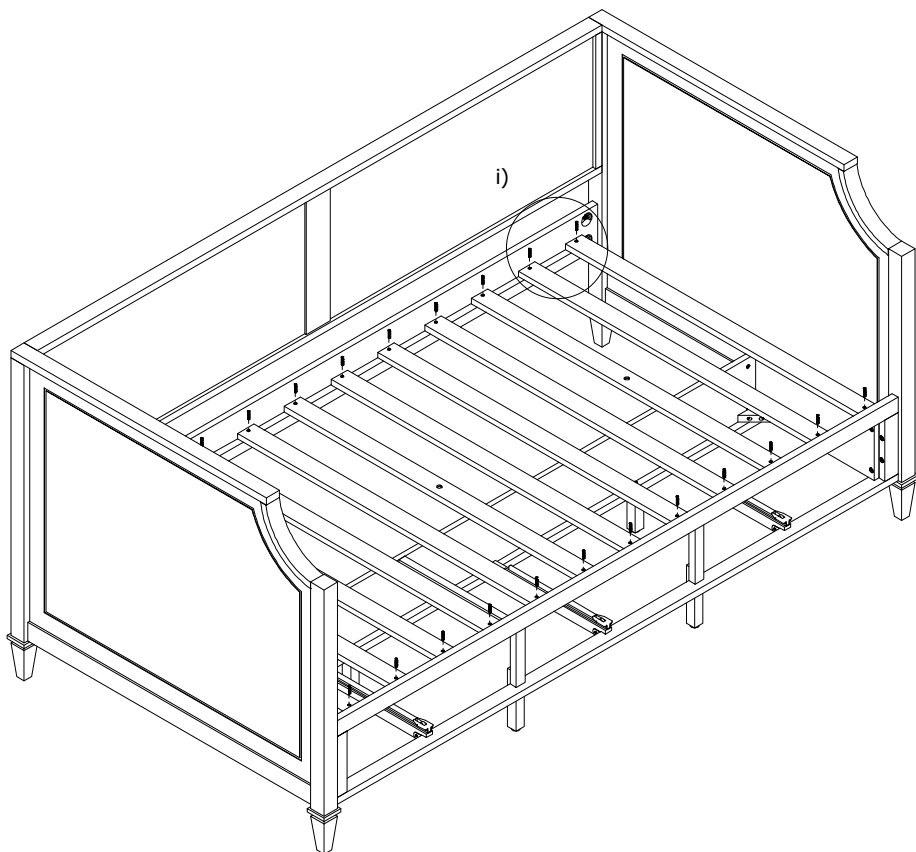
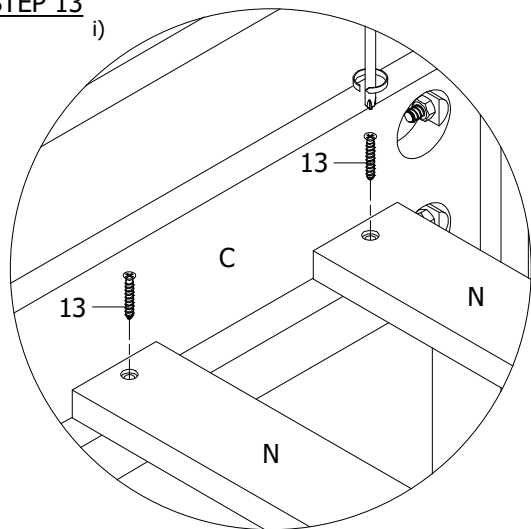
STEP 12



- Tight a Full Thread Stud M6 x 70mm(1) into the hole of Footboard Bedpost(B).
- Insert Wooden Dowel M8 x 30mm(9) into hole of Side Rail(C) & Front Frame(D).
- Attach Side Rail(C) to the bedpost by inserting Nylon Washer(8) & Hex Nut M6(7) into the hole of Side Rail(C).
- Tighten Hex Nut M6(7) with the Full Thread Stud M6 x 70mm(1) by using Spanner(18) securely.
- Attach Assembly Drawer Frame(D) to the Front Bedpost(B) and tighten JCBC M6 x 60mm(2) by using Allen Key M4(19).

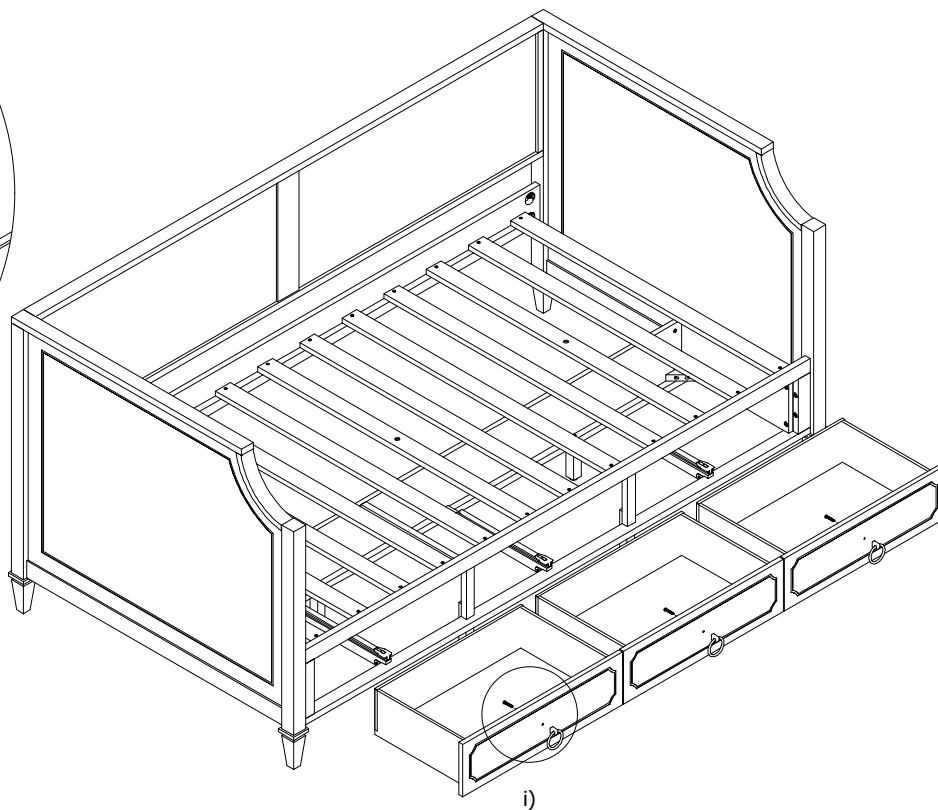
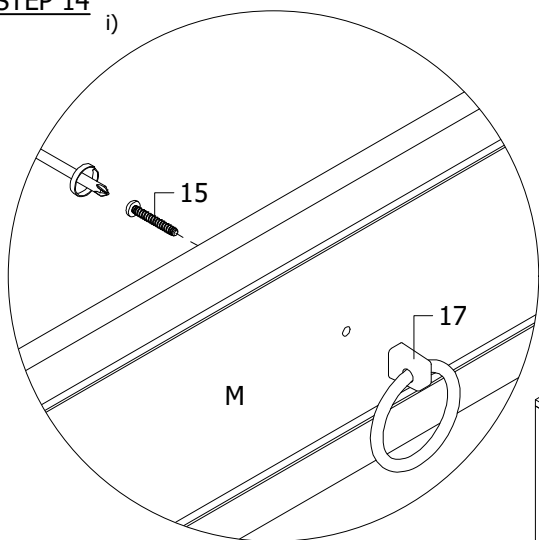
ASSEMBLY INSTRUCTION

STEP 13



- Put the slats in position and screw the CSK M4 x 25mm (4) tighten by screw driver into the Bed Slat(D) and bed.

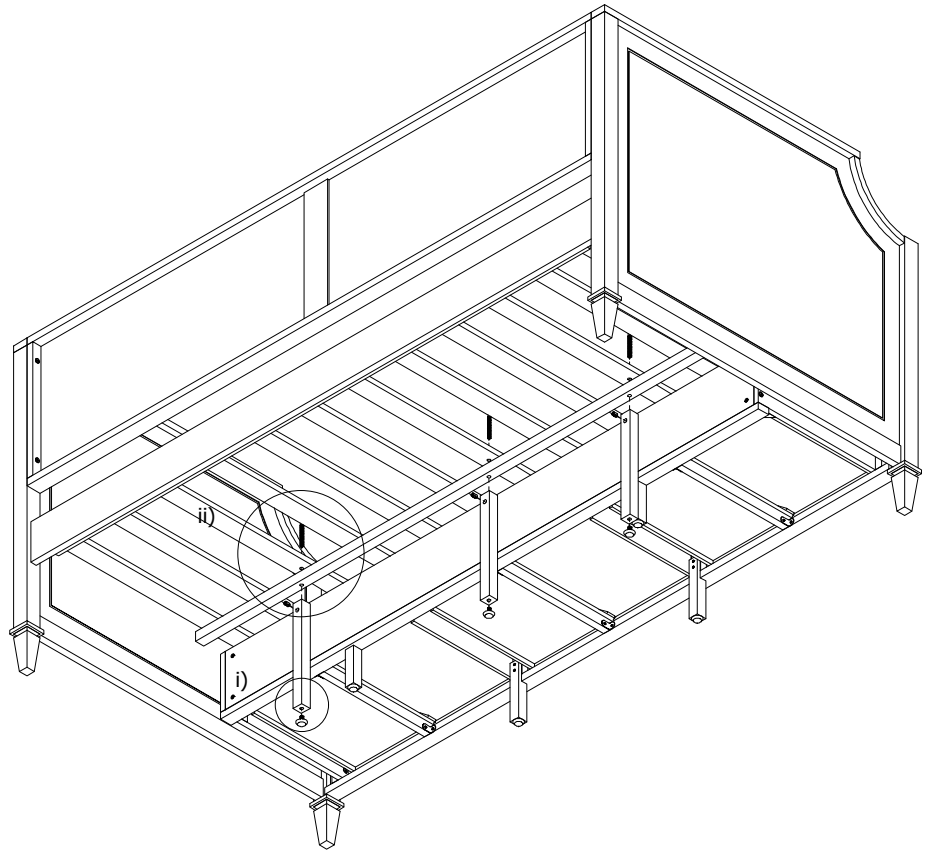
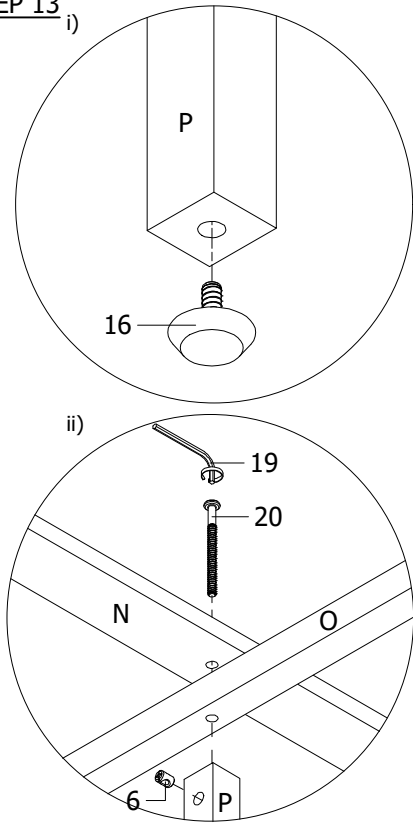
STEP 14



- Attach Handle(17) to the Drawer Head(M) and tighten THMS M4 x 28mm(15) by using screw driver. Repeat the procedure for other Drawer.
- Insert the Drawer(M) into Drawer Frame(D).

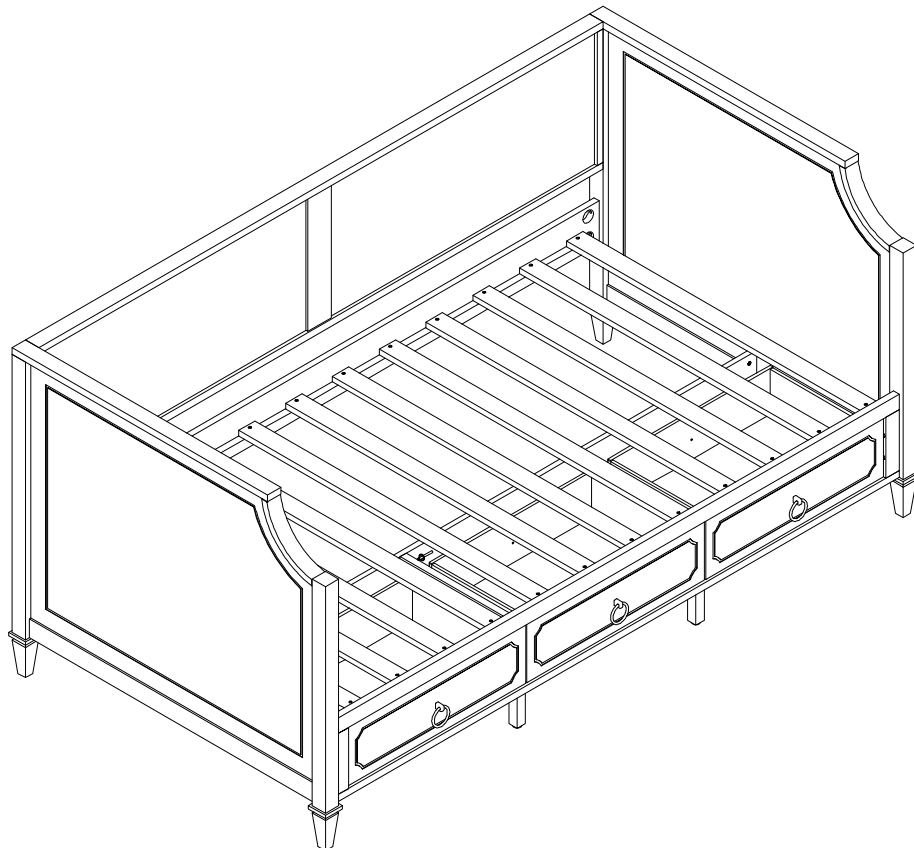
ASSEMBLY INSTRUCTION

STEP 13



- Tight Base Glide(16) into hole of bottom Center Leg(P) first.
- Attach Center Leg(P) & Center Support(O) to Slat(N).
- Insert Barrel Nut(6) into hole of Center Leg(P) and tighten JCBC M6 x 80mm(20) by using Allen Key M4(19).

STEP 14



- Ensure all the screw and fixing are secured periodically.
- Assembly are complete.