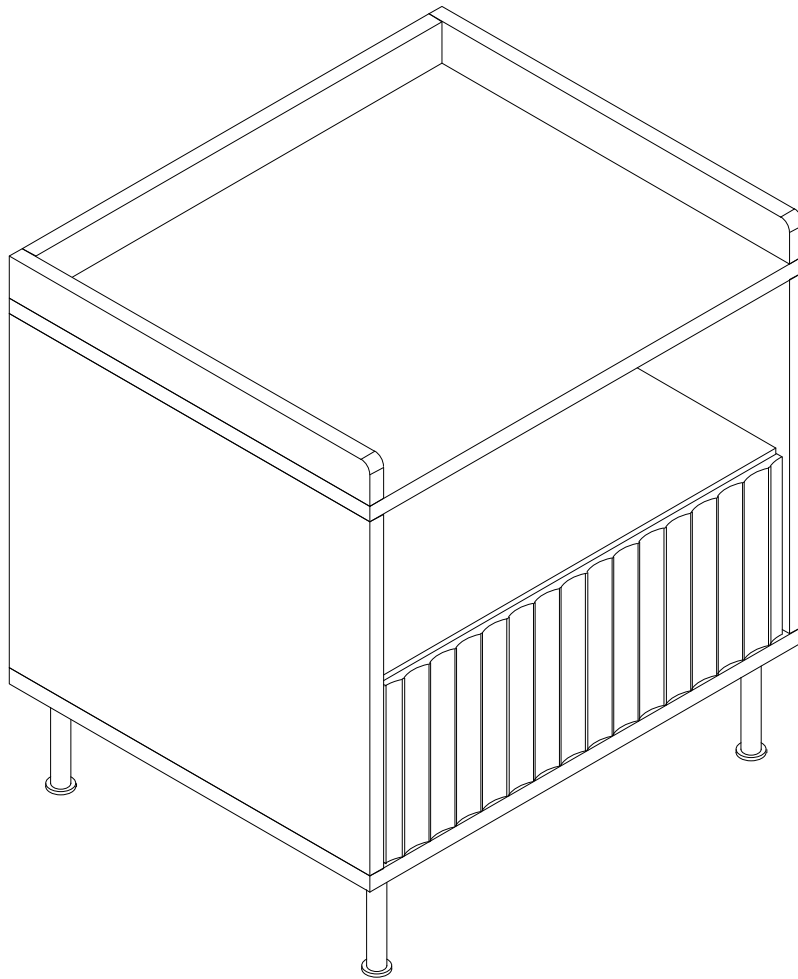

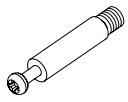
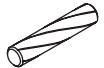
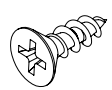
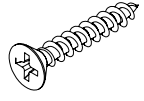
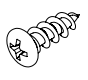
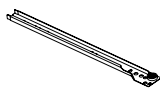

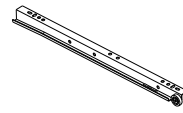
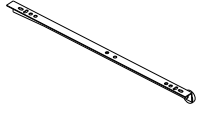


NIGHT STAND

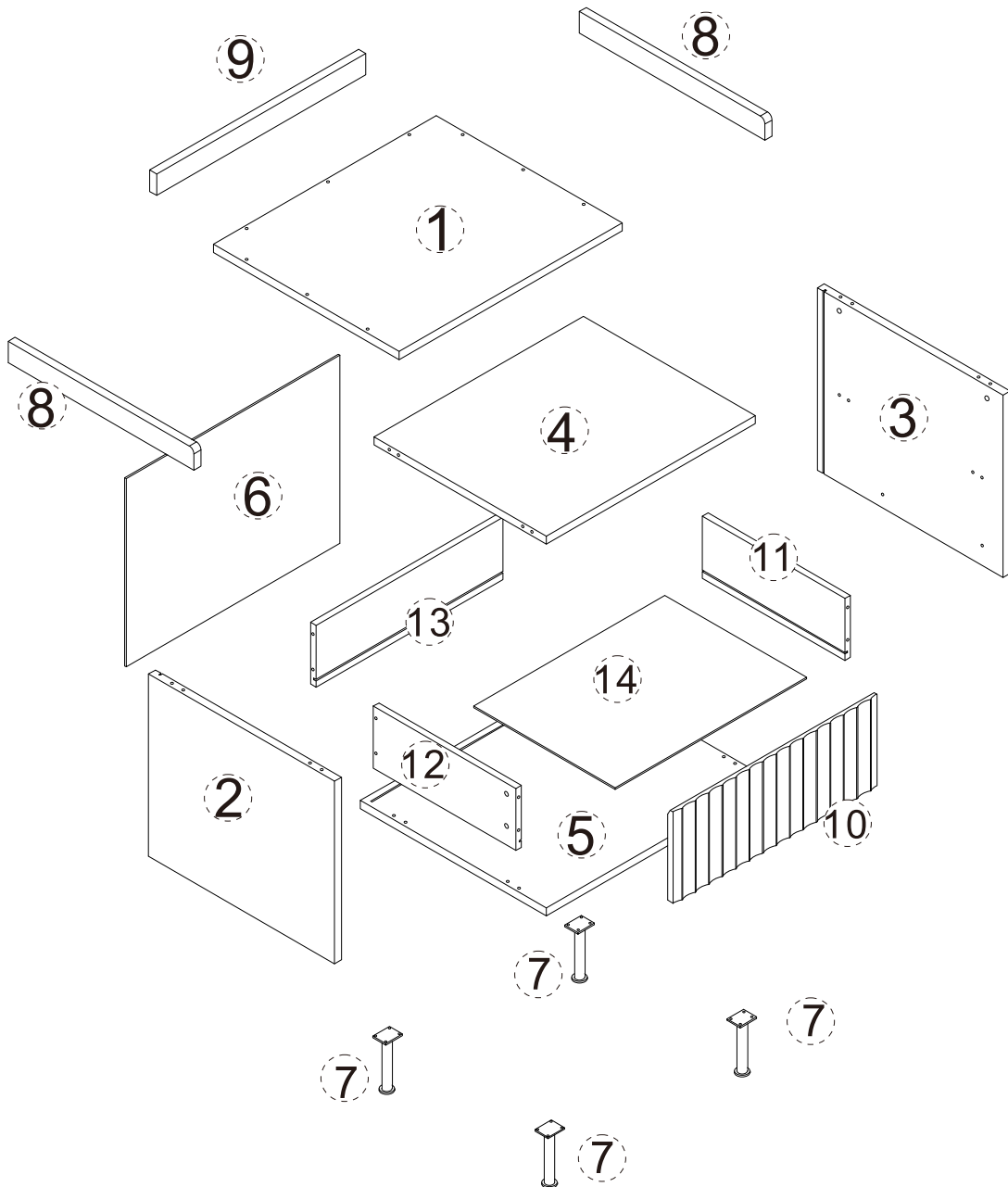


ASSEMBLY INSTRUCTION

HARDWARE LIST

A 12 PCS		B 12 PCS		C 12 PCS		D 8 PCS		E 17 PCS	
F 16 PCS		CL 1 PC		CR 1 PC		DL 1 PC		DR 1 PC	

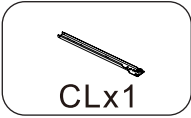
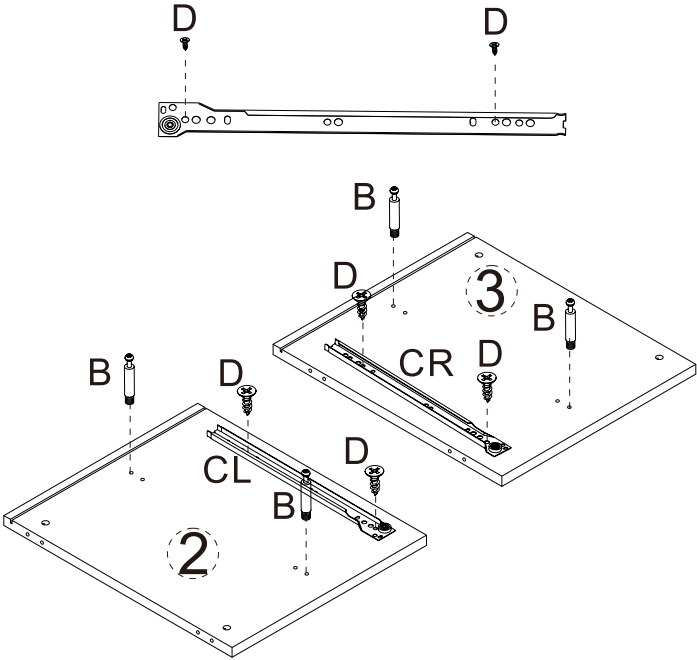
PARTS LIST



ASSEMBLY STEPS

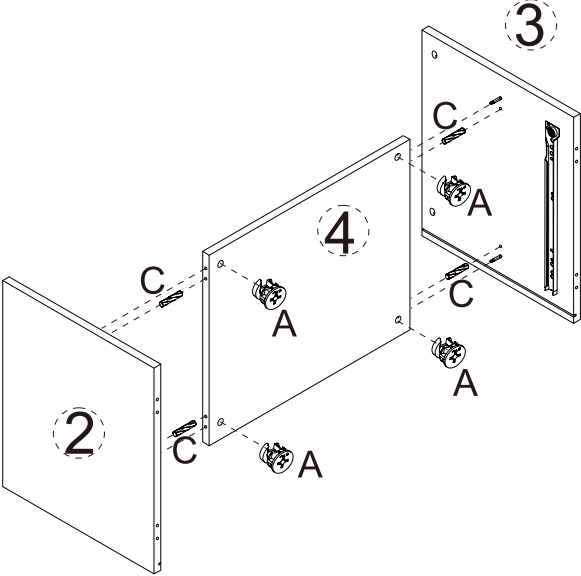
STEP 1.

Fix outer drawer runners (CL) and (CR) to parts 2 and 3 using screws (D), as shown. Insert quickfit screws (B) into parts 2 and 3, as shown.



STEP 2.

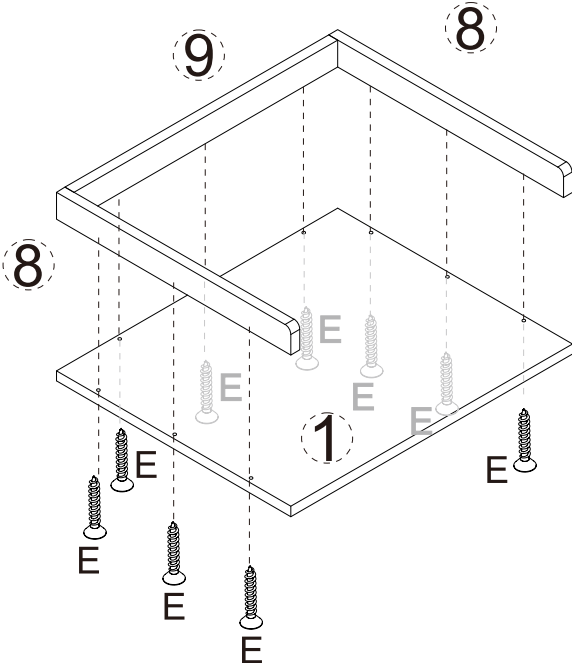
Insert cam locks (A) and wooden dowels (C) into part 4. Fit parts 2 and 3 to part 4, as shown. Turn cam lock clockwise to tighten.



ASSEMBLY STEPS

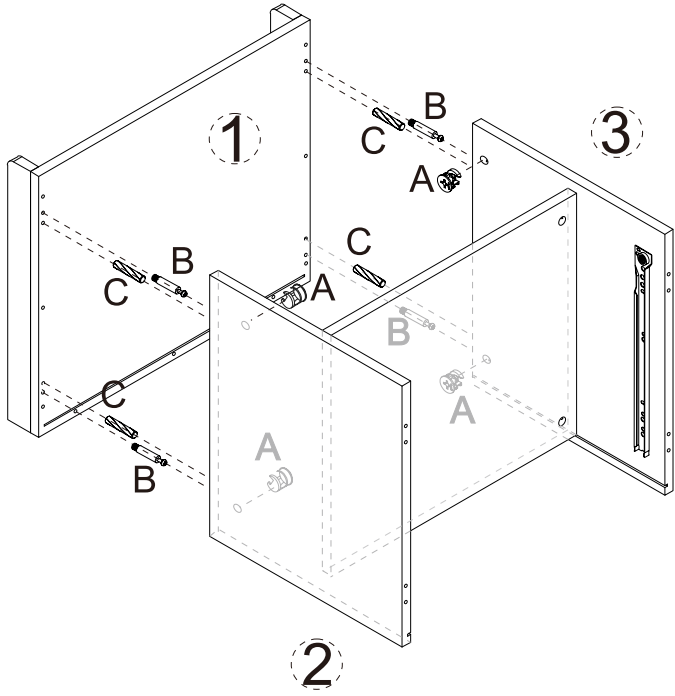
STEP 3.

Fix parts 8 and 9 to part 1 using screws (E), as shown.



STEP 4.

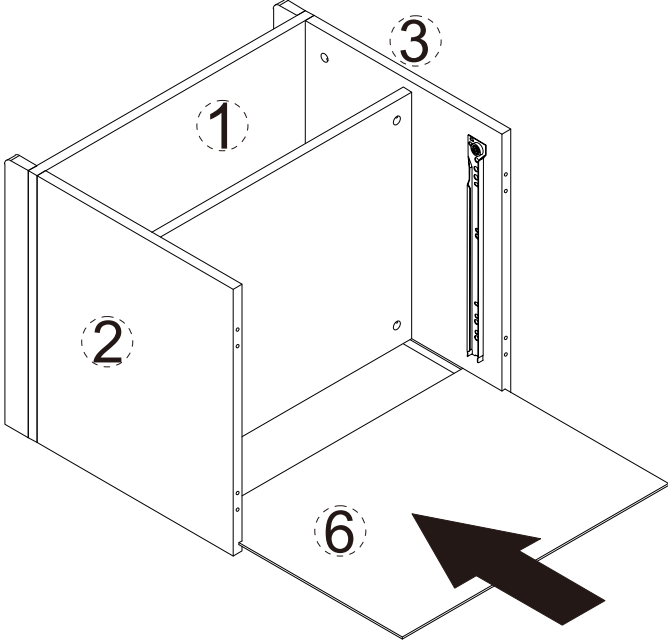
Insert quickfit screws (B) and wooden dowels (C) into part 1.
Insert cam locks (B) into parts 2 and 3 and attach to part 1, as shown.
Turn cam lock clockwise to tighten.



ASSEMBLY STEPS

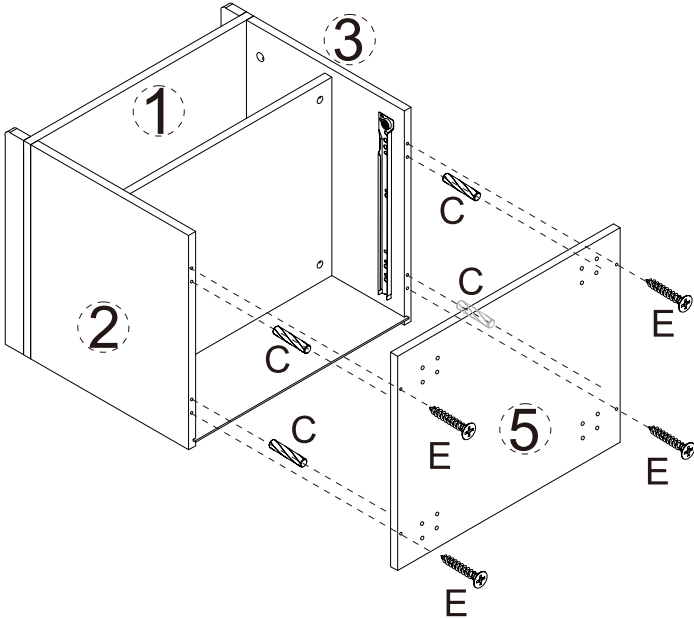
STEP 5.

Slide part 6 into grooves between part 2, 3 and 1, as shown.



STEP 6.

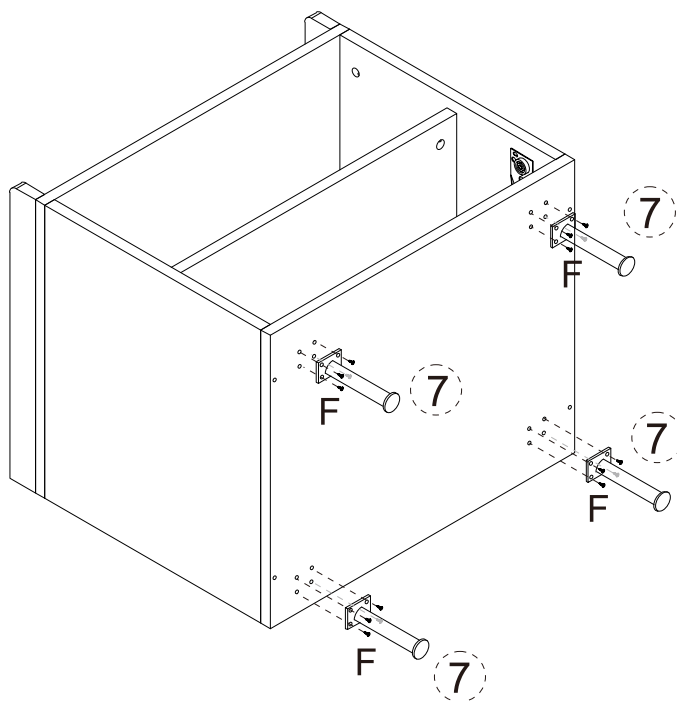
Insert wooden dowels (C) into parts 2 and 3. Fix part 5 to parts 2 and 3 using screws (E), as shown.



ASSEMBLY STEPS

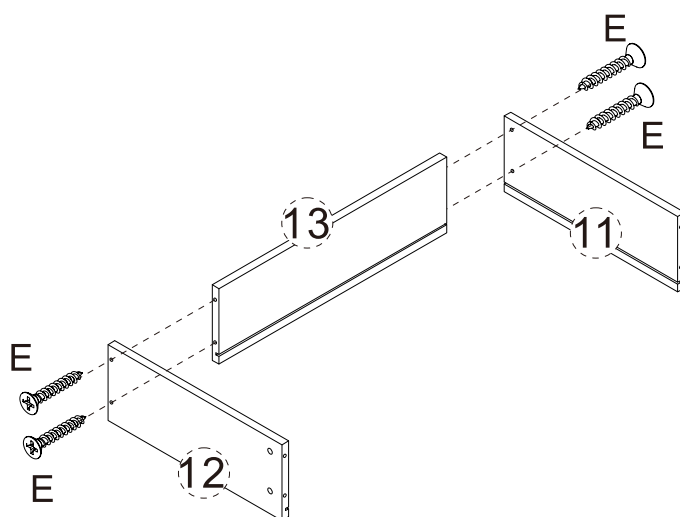
STEP 7.

Fix legs 7 to part 5 using screws (F), as shown.



STEP 8.

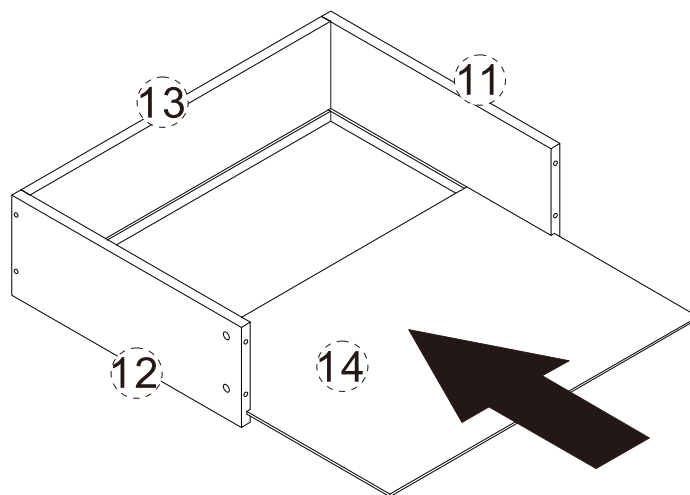
Fix parts 11 and 12 to part 13 using screws (E), as shown.



ASSEMBLY STEPS

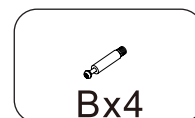
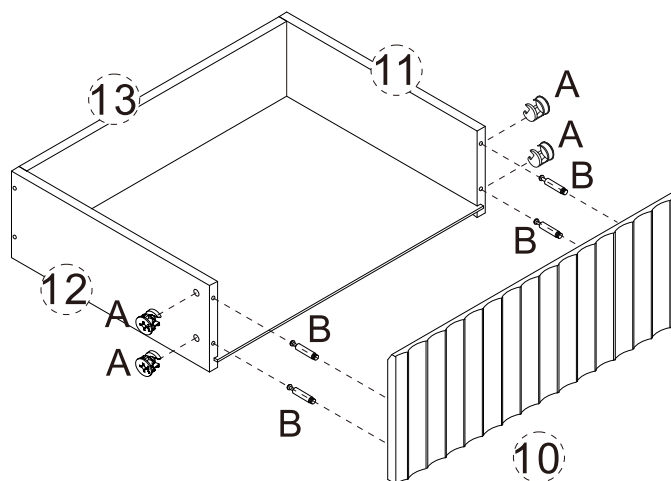
STEP 9.

Slide part 14 into grooves between part 11, 12 and 13, as shown.



STEP 10.

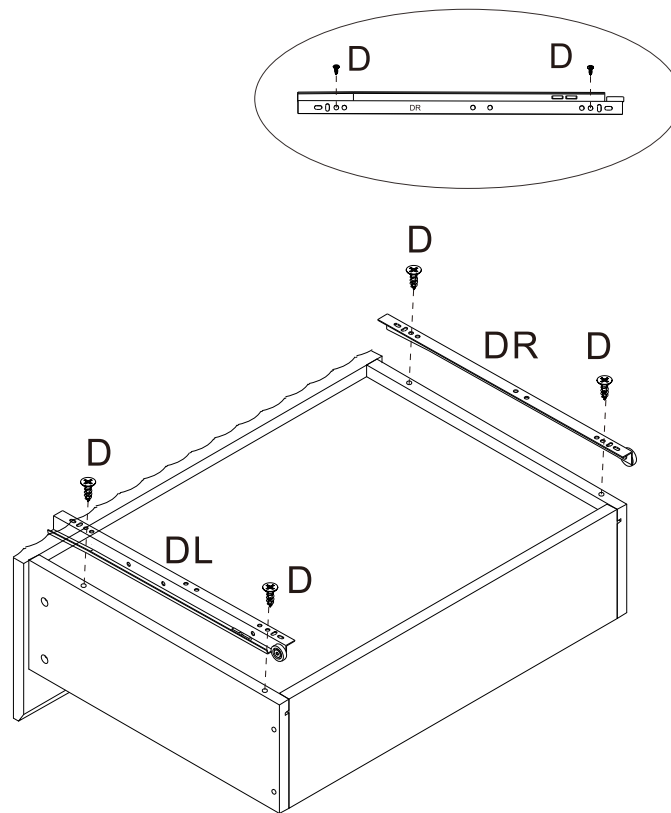
Insert quickfit screws (B) into part 10.
Insert cam locks (A) into parts 12 and 11.
Fit part 10 to parts 12 and 11, as shown.
Turn cam lock clockwise to tighten.






ASSEMBLY STEPS

STEP 11.

Fix inner drawer runners (DL) and (DR) to assembled drawer using screws (D), as shown.



-  Dx4
-  DLx1
-  DRx1

STEP 12.

Fit drawer into assembled unit, as shown.
Your night stand is ready for use now.

