

# Assembly Instruction

E x8pcs



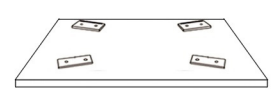
F x8pcs



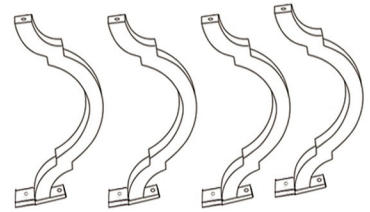
G x4pcs



H x1pc



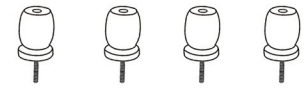
(A)



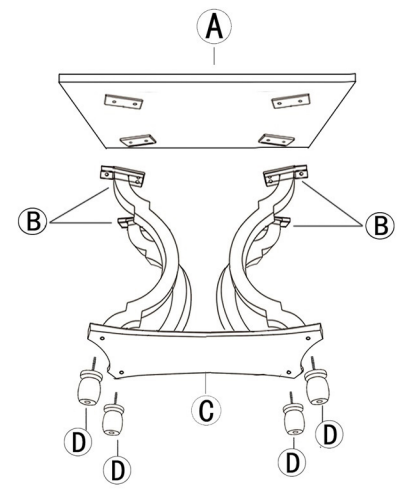
(B) (B) (B) (B)



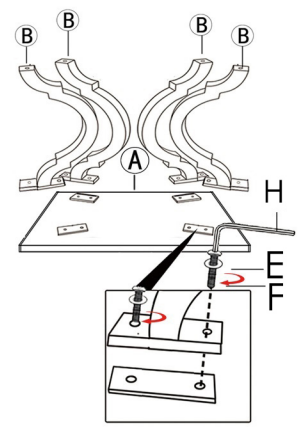
(C)



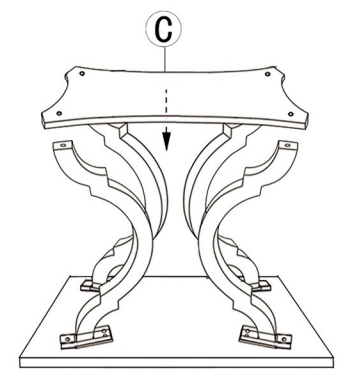
(D) (D) (D) (D)



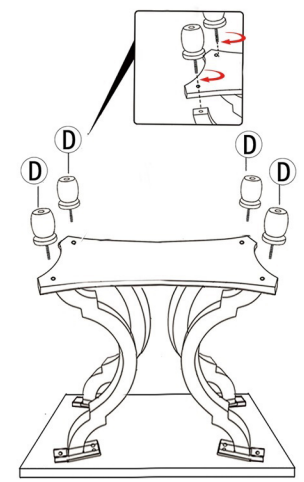
STEP 1 : Lay Part A with holes facing up on flat surface



STEP 2 : Parts B screw to Part A using Parts E, Parts F and Part H



STEP 3 : Part C screw to Parts B using Parts D



STEP 4 : Parts G screw to Parts D

