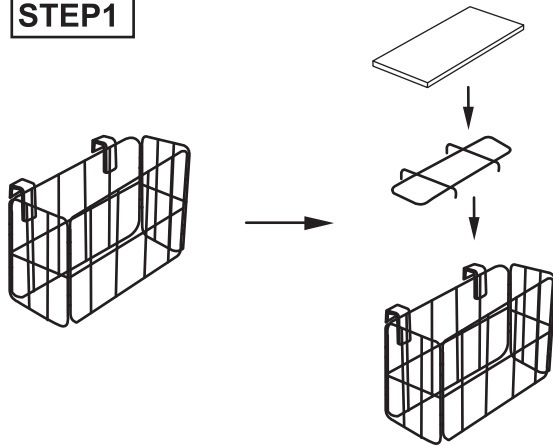
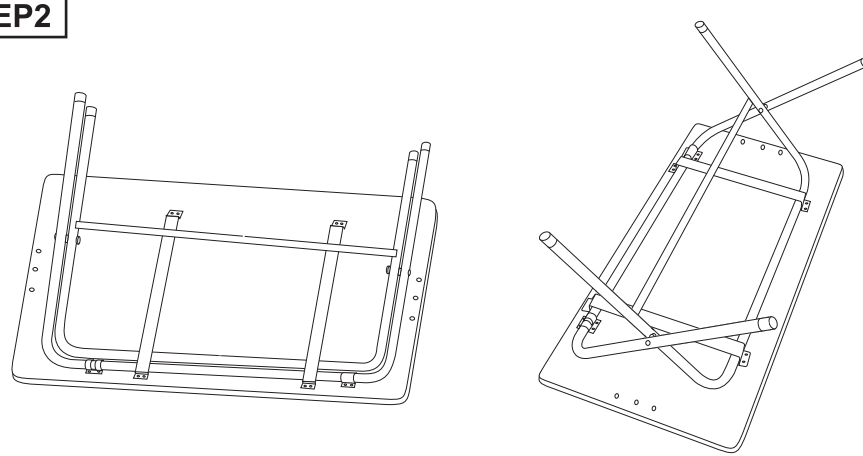


TDA-W2001-DESK

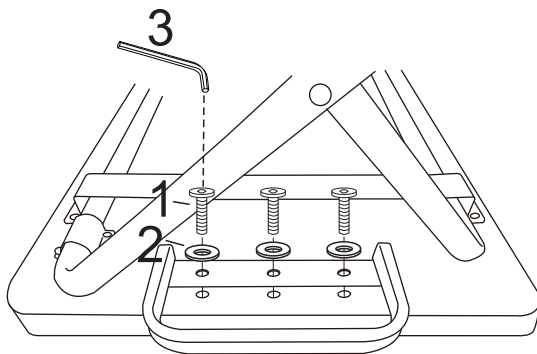
STEP1



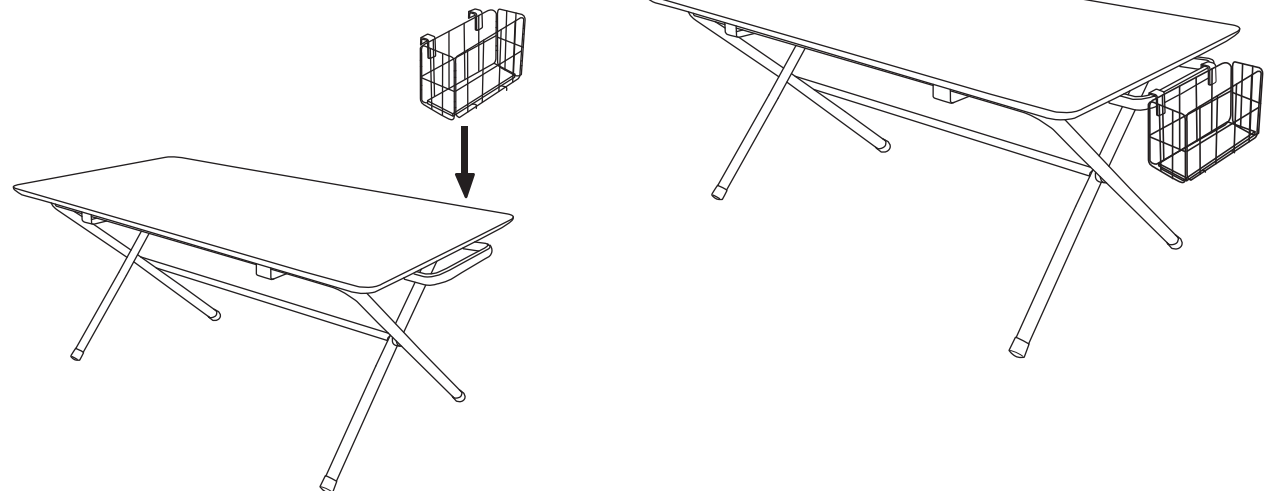
STEP2






STEP3

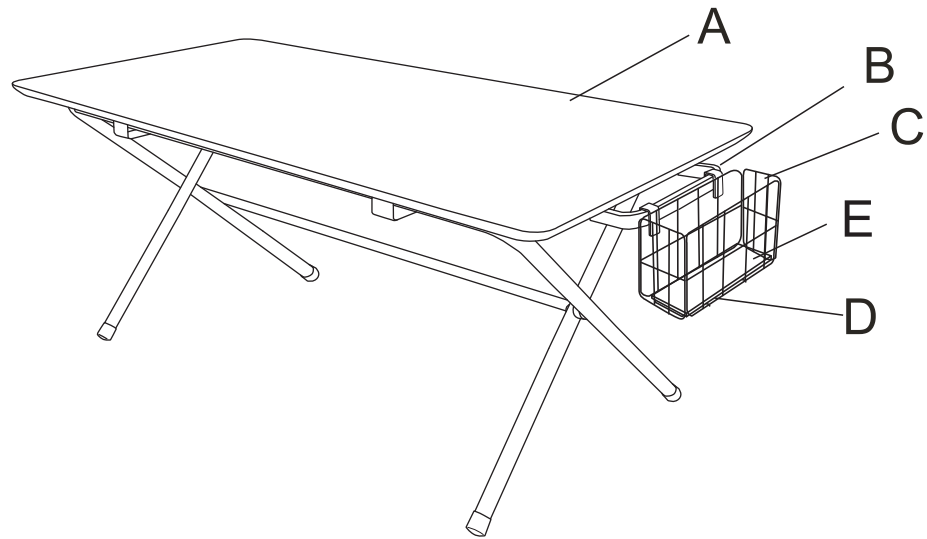


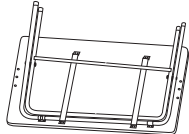
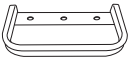
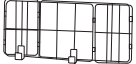
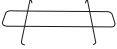

STEP4



Note:
Pls do not tighten all bolts until the products is assembled completely.

| | | | |
|---|---|----|-----------|
| 1 |  | 3X | 1/4"*12mm |
| 2 |  | 3X | φ12.5 |
| 3 |  | 1X | S4 |



| | | | |
|----------------|---|---|----|
| TDA-W2001-DESK | A |  | 1X |
| | B |  | 1X |
| | C |  | 1X |
| | D |  | 1X |
| | E |  | 1X |