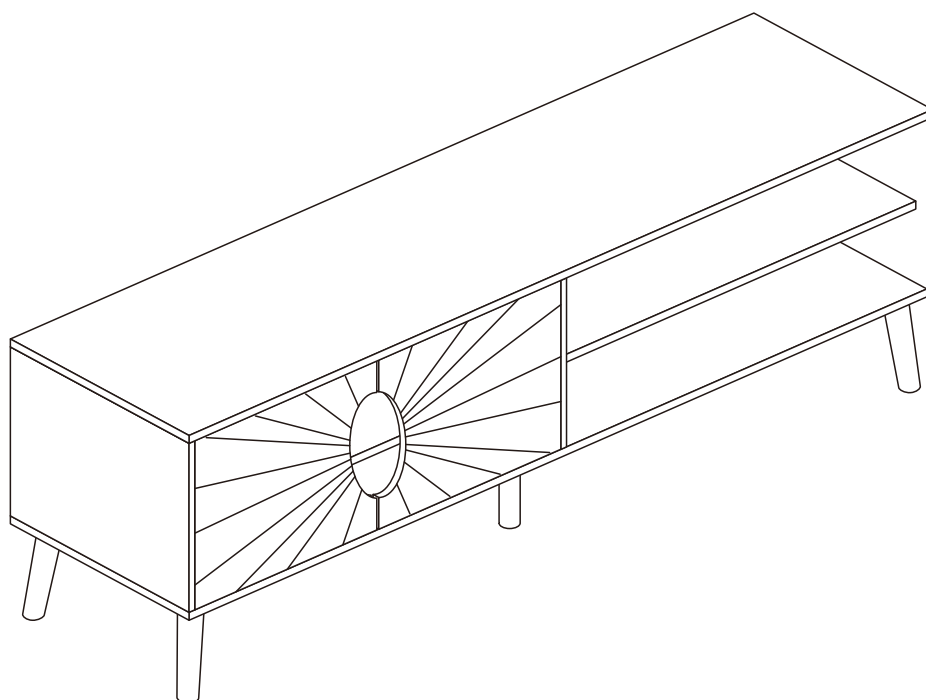


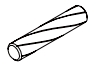
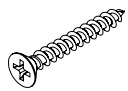
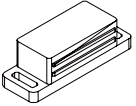



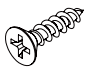
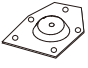






TV STAND

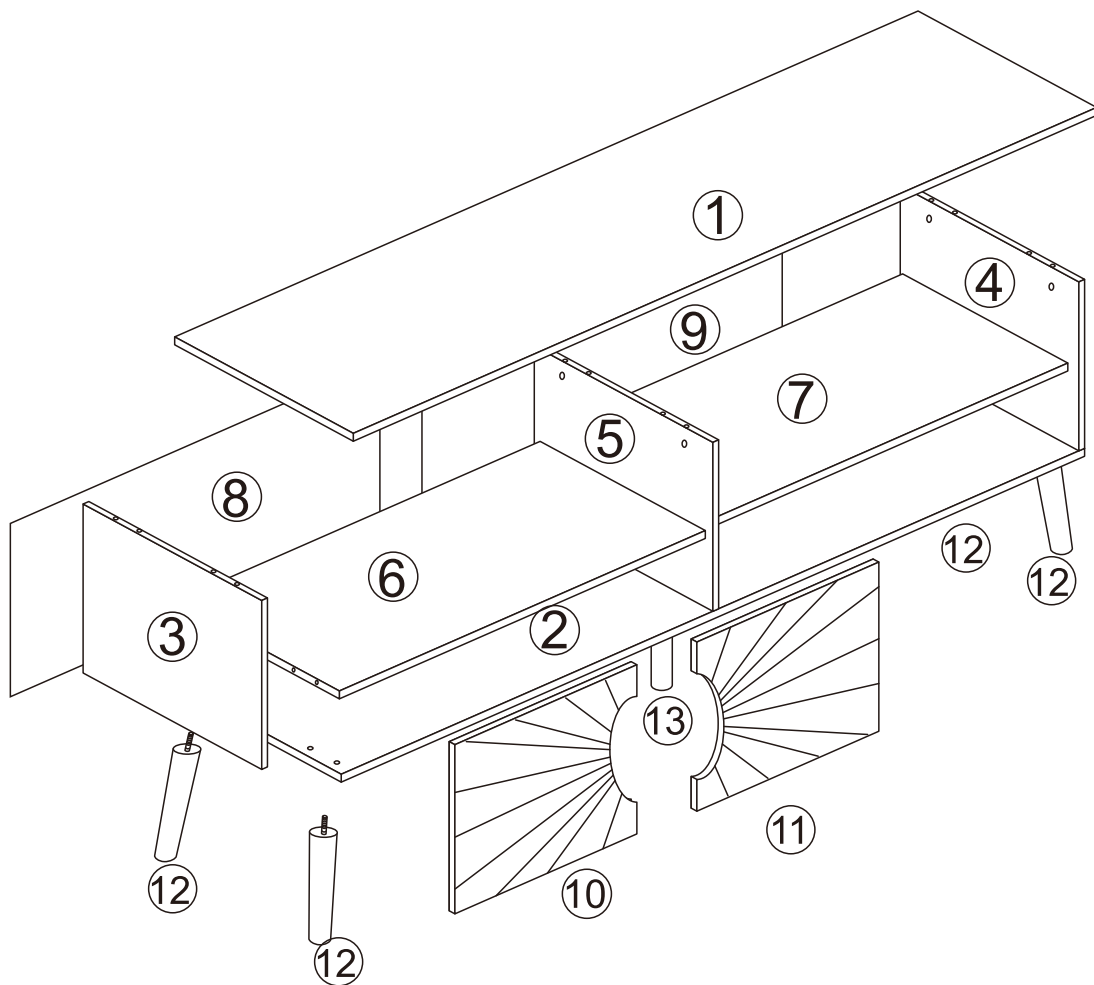


ASSEMBLY INSTRUCTION

HARDWARE LIST

A 10 PCS		B 10 PCS		C 16 PCS		D 6 PCS		E 1 PC	
F 4 PCS		G 4 PCS		H 4 PCS		I 24 PCS		J 4 PCS	
K 20 PCS		L 8 PCS		M 2 PCS		N 1 PC			

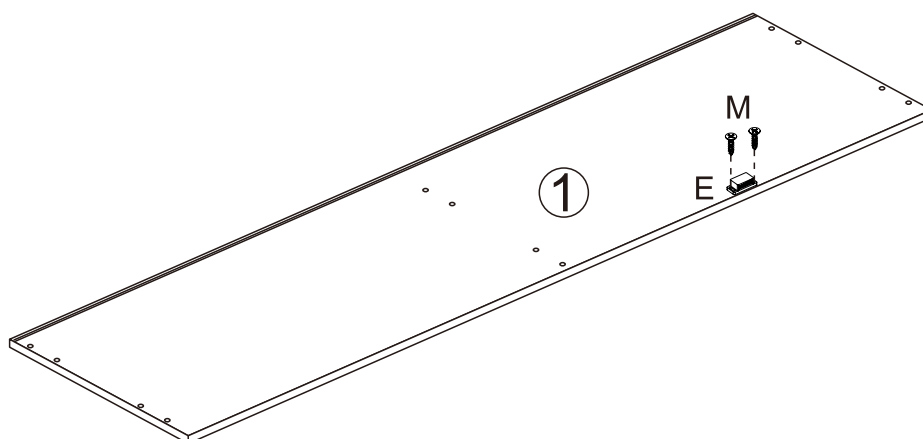
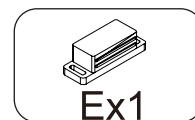
PARTS LIST



ASSEMBLY STEPS

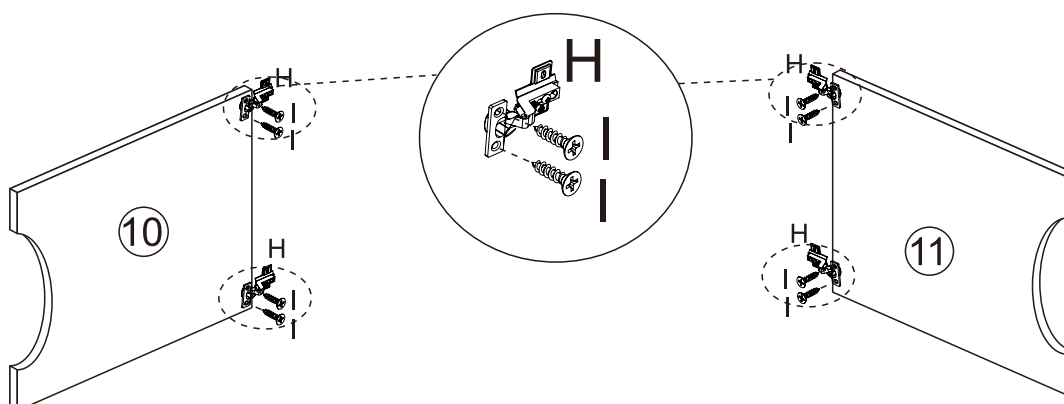
STEP 1.

Fix hardware (E) to part 1 using screws (M), as shown.



STEP 2.

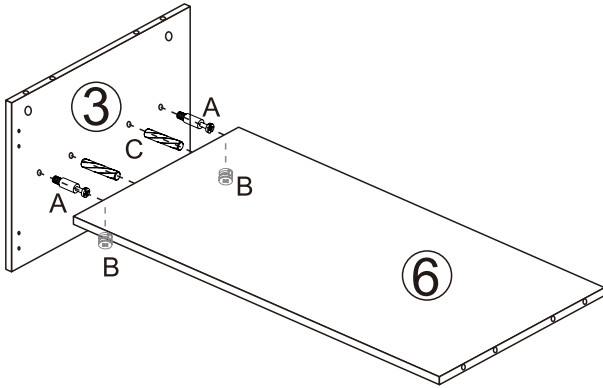
Fix Hinges (H) to doors 10 and 11 using screws (I), as show.



ASSEMBLY STEPS

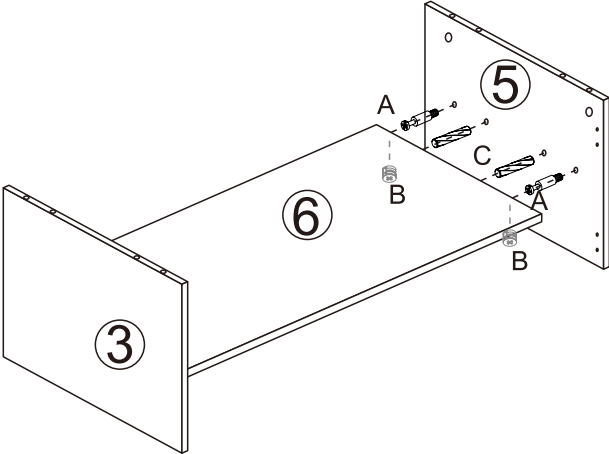
STEP 3.

Insert quickfit screws (A) and wooden dowels (C) into part .
Insert cam locks (B) into part 6.
Fit part 3 and part 6, as shown.
Turn cam lock clockwise to tighten.



STEP 4.

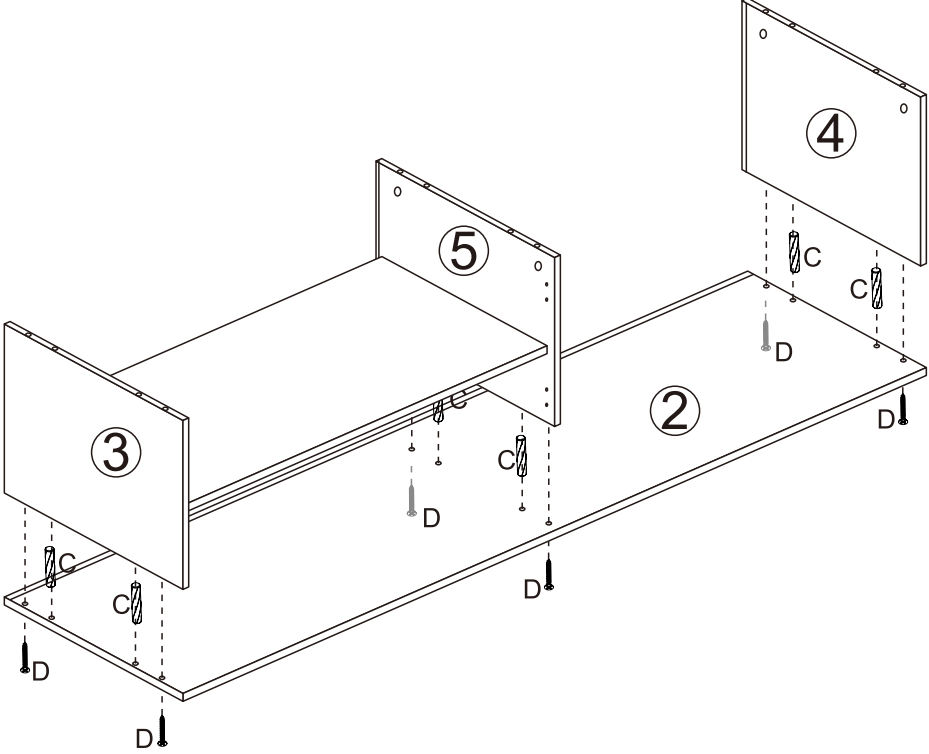
Insert quickfit screws (A) and wooden dowels (C) into part .
Insert cam locks (B) into part 6.
Fit part 5 and part 6, as shown.
Turn cam lock clockwise to tighten.



ASSEMBLY STEPS

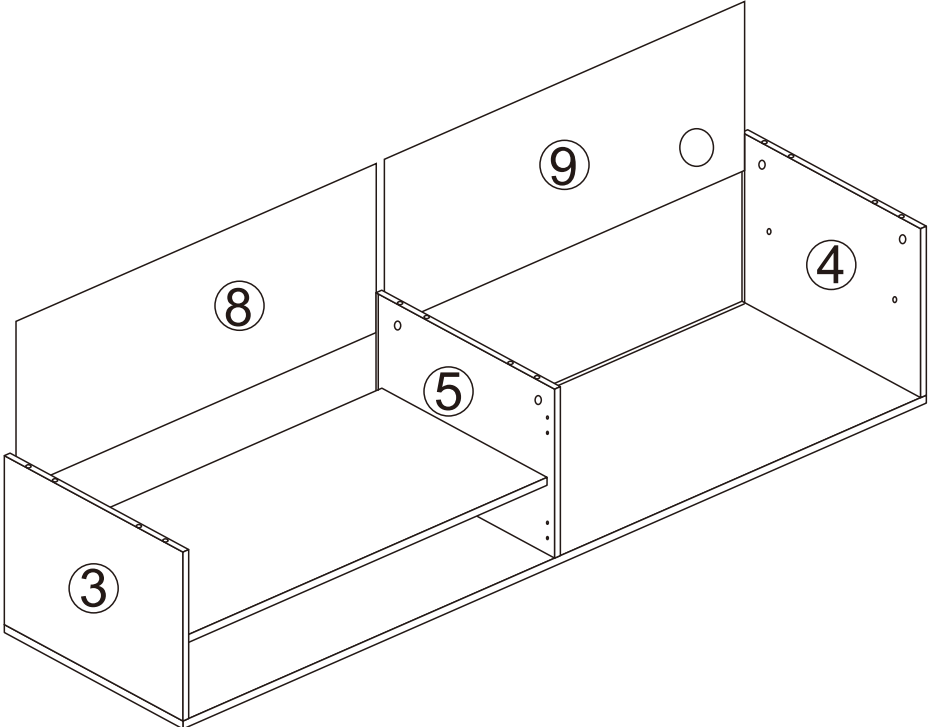
STEP 5.

Insert wooden dowels (C) into part 2.
Attach parts 3, 5 and 4 to part 2 using screws (D), as shown.



STEP 6.

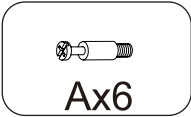
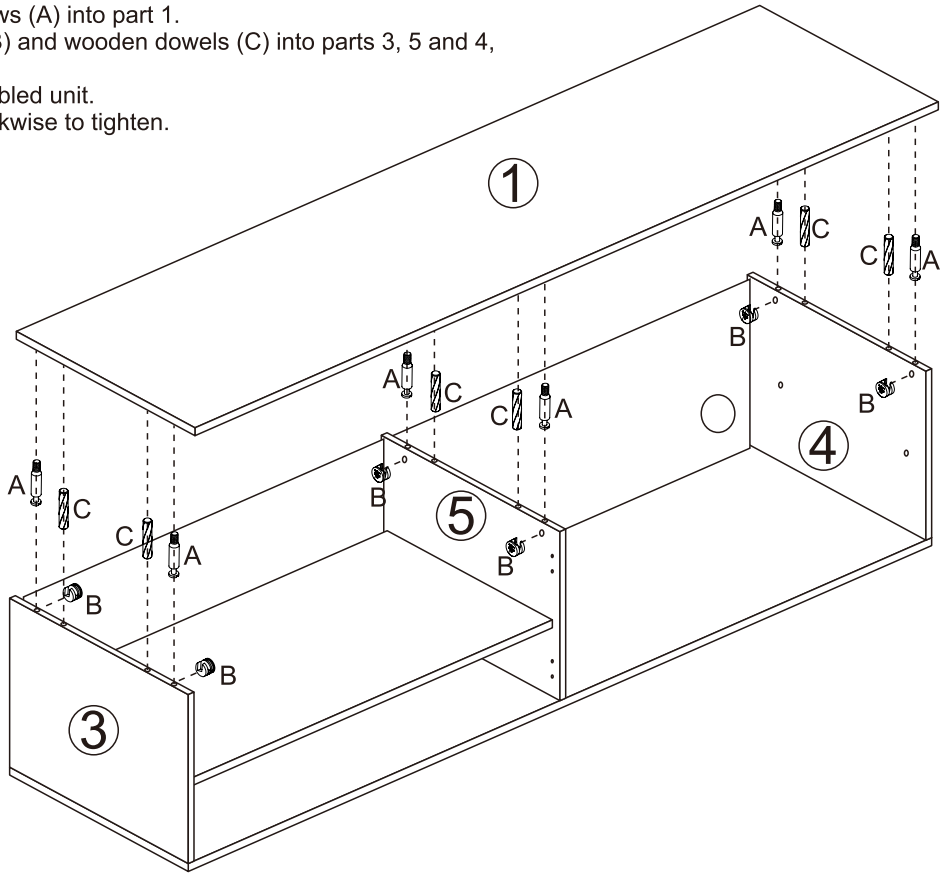
Slide parts 8 and 9 into grooves between parts 3, 5 and 4, as shown.



ASSEMBLY STEPS

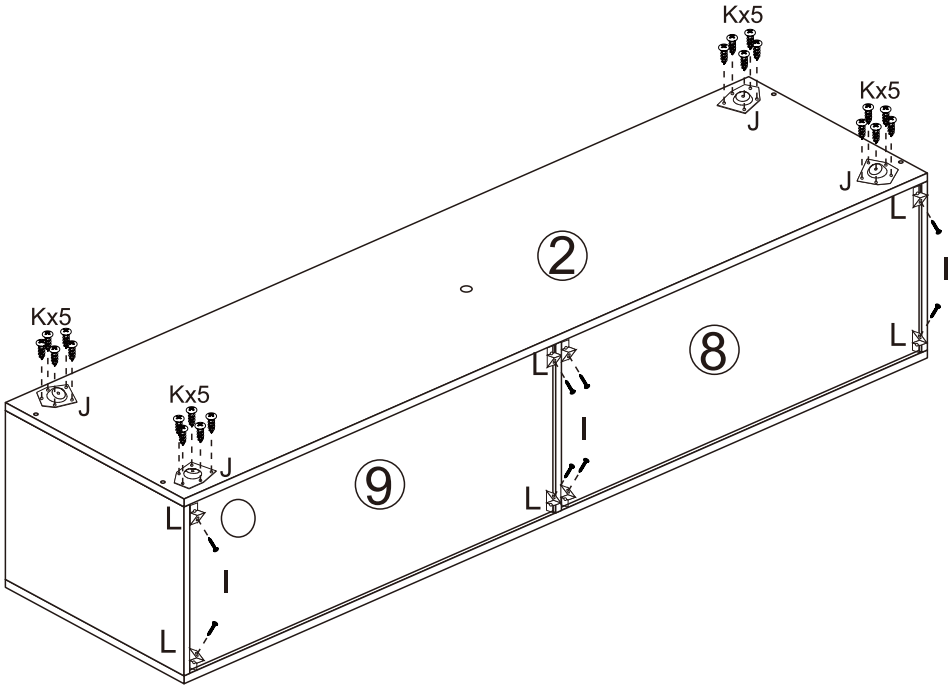
STEP 7.

Insert quickfit screws (A) into part 1.
 Insert cam locks (B) and wooden dowels (C) into parts 3, 5 and 4,
 as shown.
 Fit part 1 to assembled unit.
 Turn cam lock clockwise to tighten.



STEP 8.

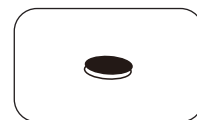
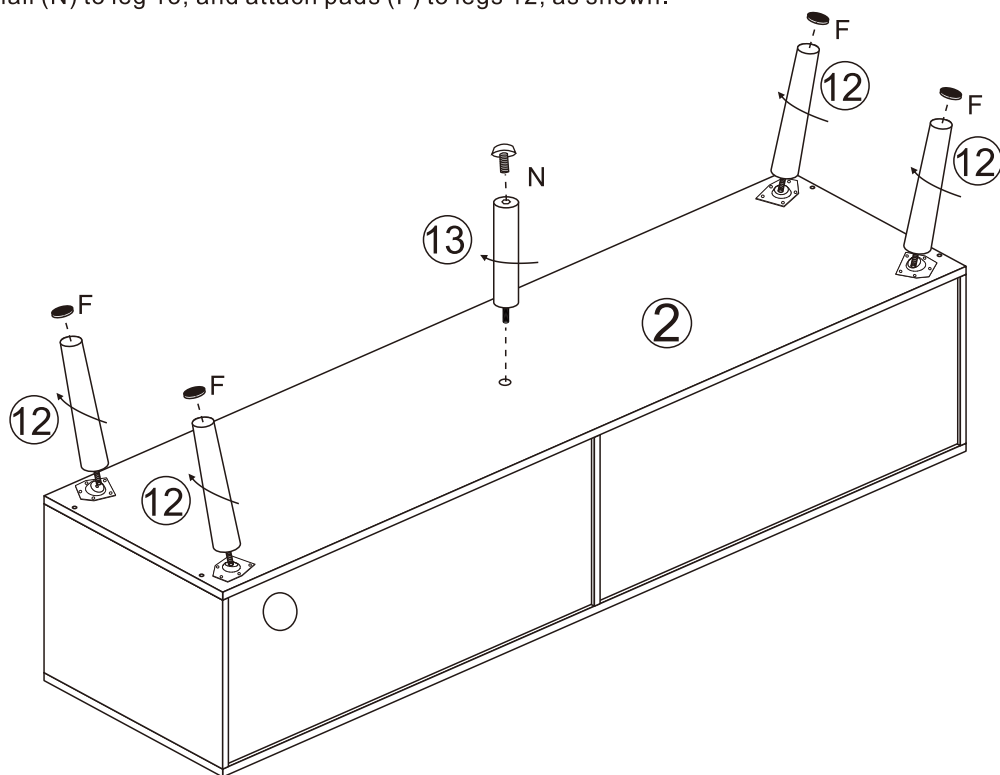
Fix hardware (J) to part 2 using screws (K), as shown.
 Fix corner brackets (L) to parts 8 and 9 using screws (I), as shown.



ASSEMBLY STEPS

STEP 9.

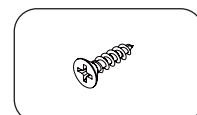
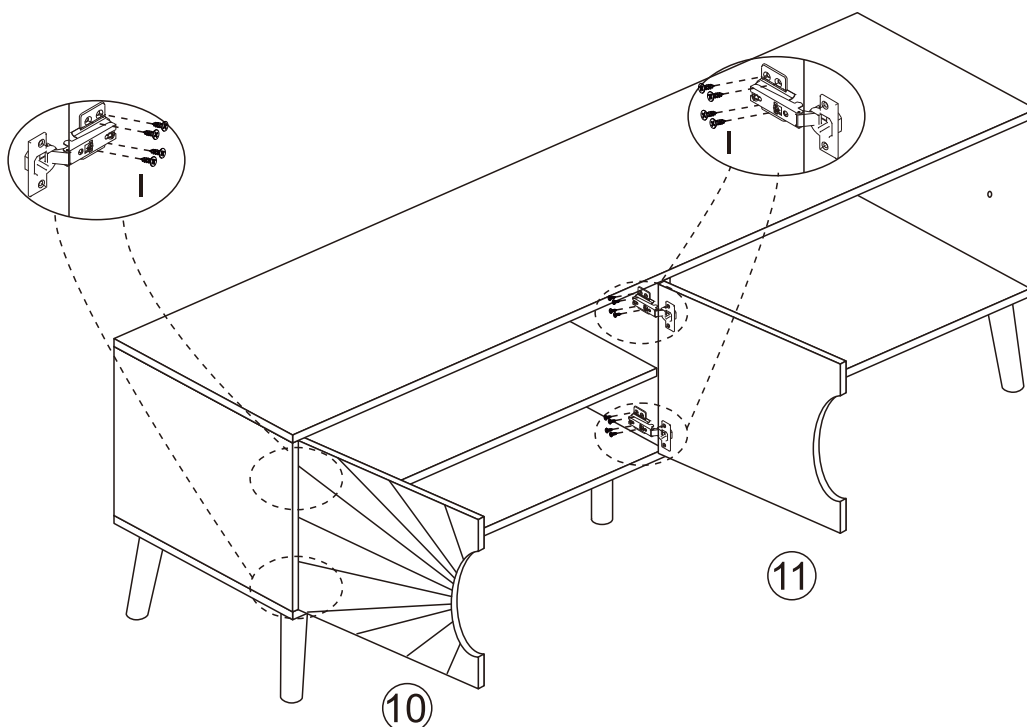
Turn the legs 12 and 13 clockwise to tighten, as shown.
Insert Foot nail (N) to leg 13, and attach pads (F) to legs 12, as shown.



Nx1

STEP 10.

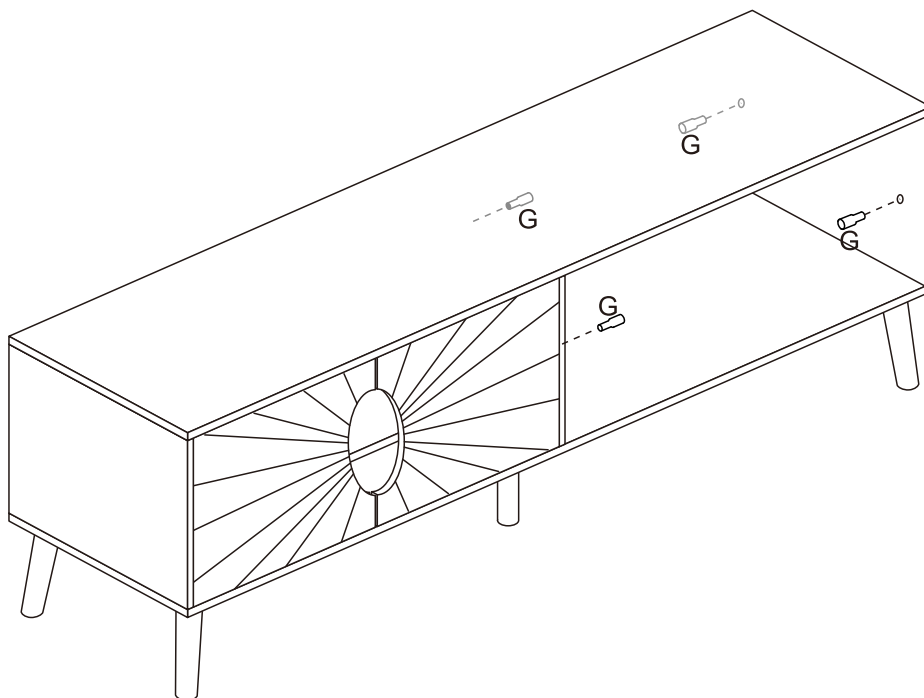
Fix doors 10 and 11 to assembled unit using hinges with screws (I), as shown.



ASSEMBLY STEPS

STEP 11.

Fit shelf supports (G) into desired position in the assembled unit, as shown.



STEP 12.

Place shelf 7 on top of shelf supports, as shown.

