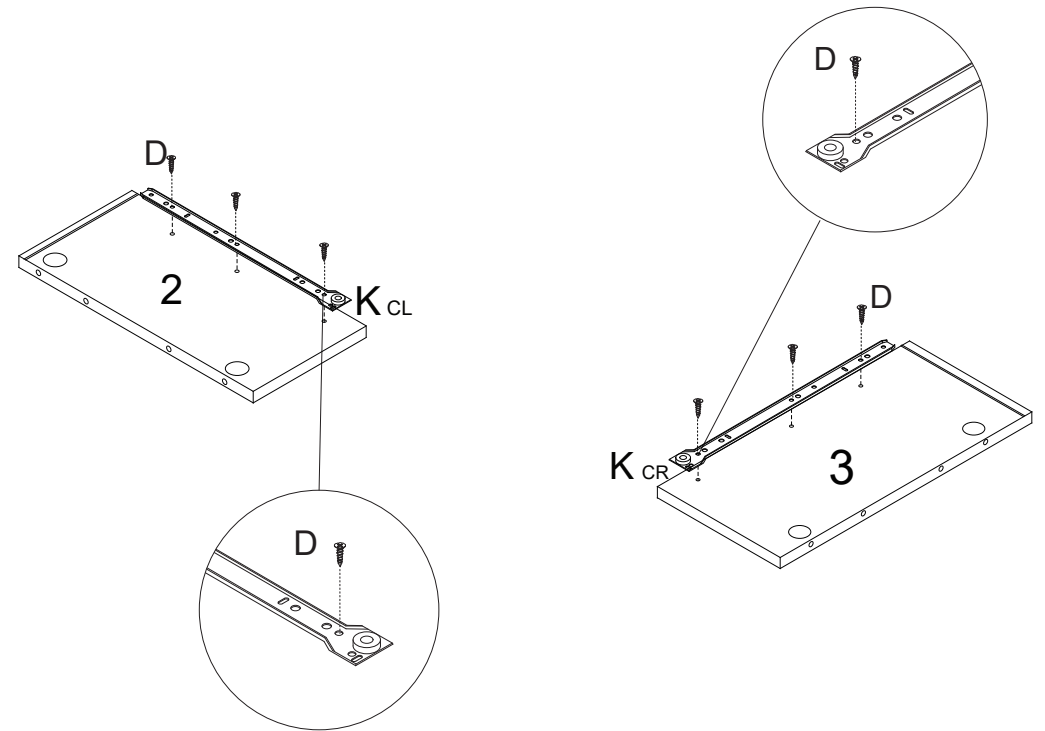


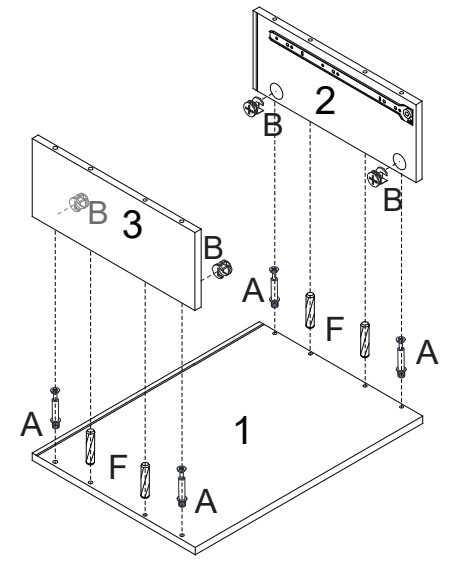
1 Attach the runners K to pieces 2 and 3 as shown. Use screws (D).



2 Then attach pieces 2 and 3 to Top panel 1 using wooden dowels (F), cam dowels (A) and cam locks (B).

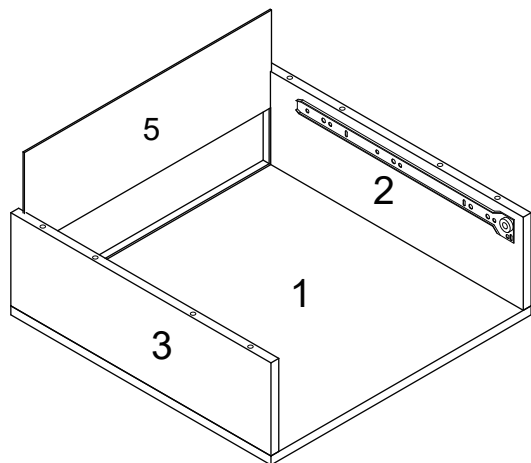
A		8 PCS
B		4 PCS
C		8 PCS
D		12PCS
E		1 PC
F		8 PCS
G		1 PC
H		1 PC

I		8 PCS
J		6 PCS
K		1 PC
L		4 PCS



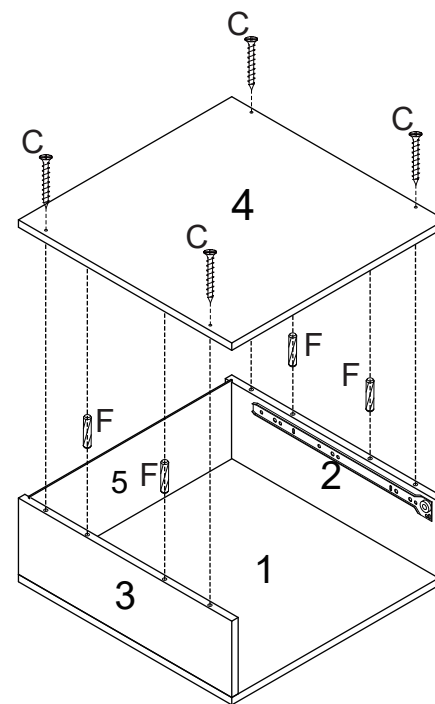
3

Slot in piece 5 to the built-in ridges.



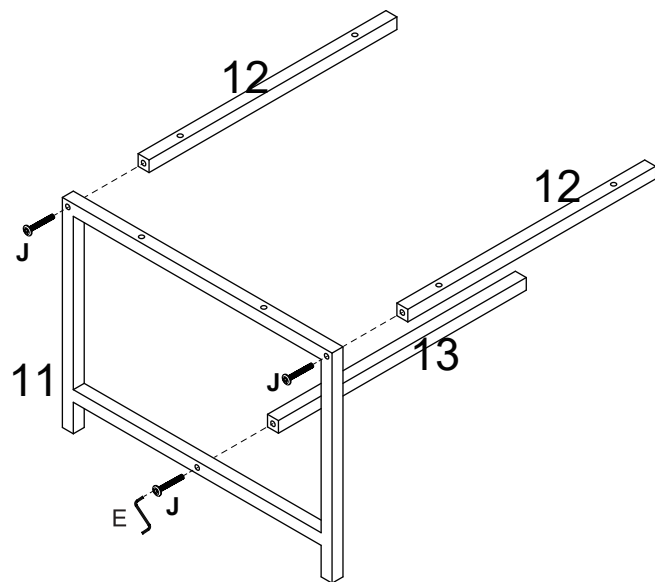
4

Then add piece 4 to the unit using wooden dowels (F), Screw (C).



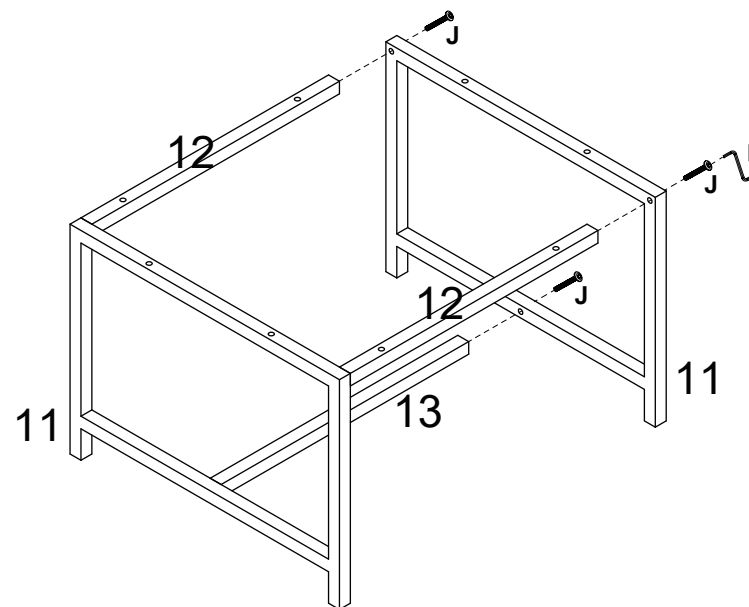
5

Attach piece 12 & 13 to piece 11 using screw (J) with tool (E).

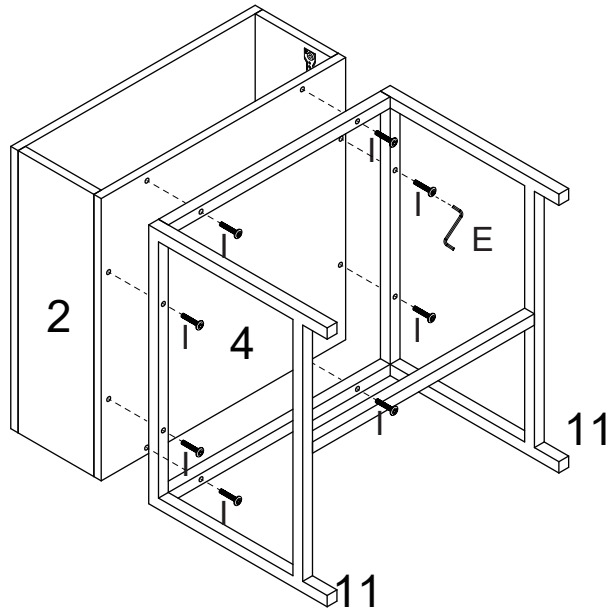


6

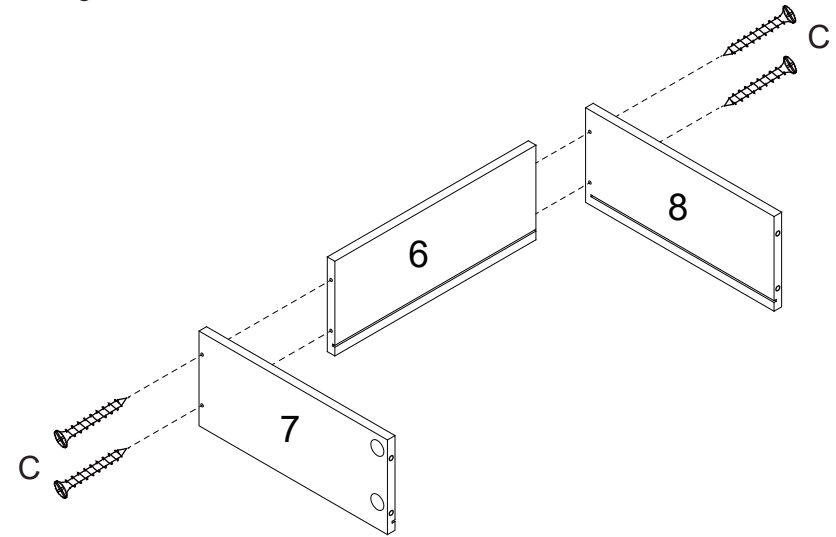
Attach piece 12 & 13 to piece 11 using screw (J) with tool (E).



7 Attach 2 section using screw (I) with tool (E).

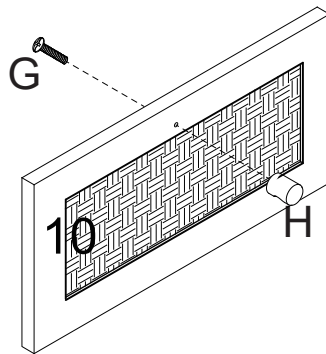


8 Attach pieces 6, 7 & 8 using screws (C). Make sure that the built-in ridge is facing inwards and at the bottom.

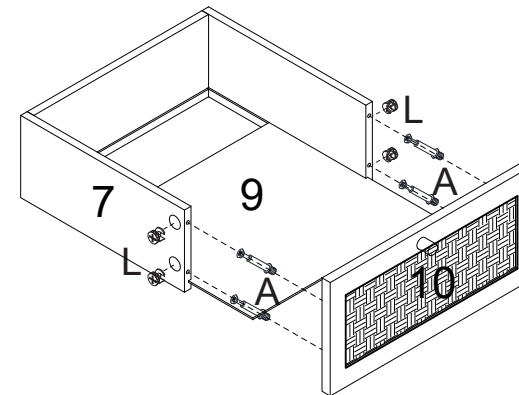


×2

9 On piece 10, attach the door handles (H) using screws (G).

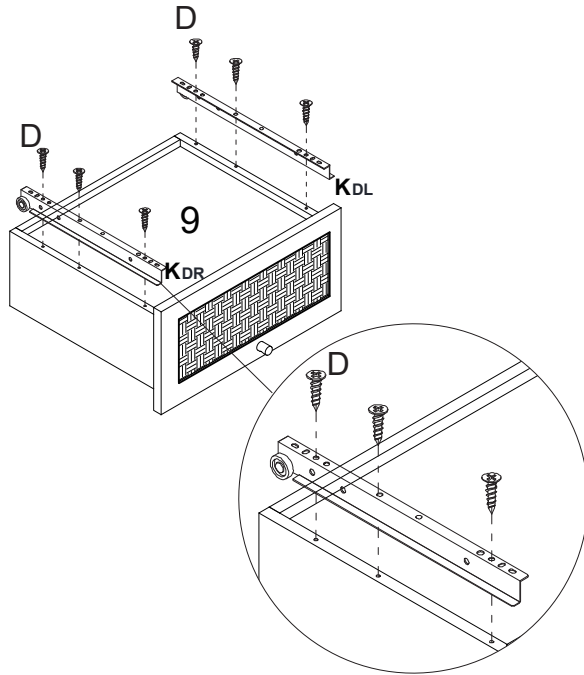


10 Slot piece 9 into the ridges. First insert the cam locks (B) into the pre-drilled holes on parts 7 & 8. Then insert cam dowels (A) into each side, you then need to line up these screws with the pre-drilled holes on the front piece 10. Once attached, tighten the cam locks (B) using a cross-head screwdriver and ensure the piece is secure.

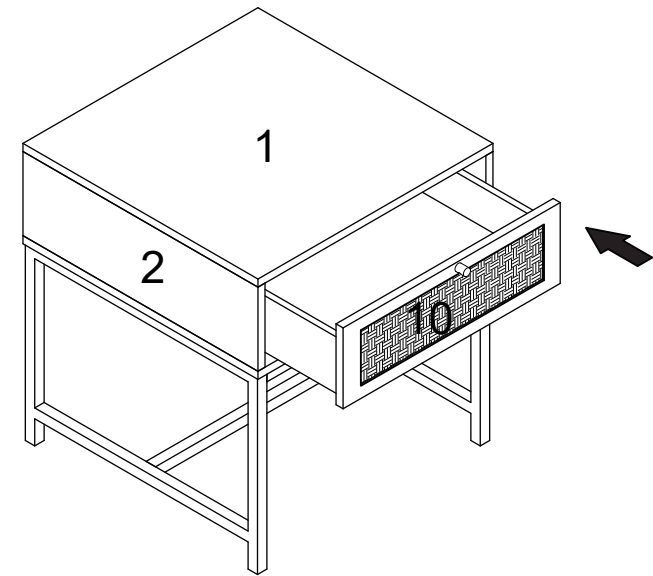


11

Turn the drawer upside down. Line up the holes on the outside pieces with the holes on the runners (KDR & KDL), secure to the drawer using screws (D)

**12**

Insert the drawers.

**13**

The unit should now be assembled and ready to use.

