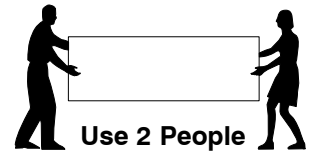
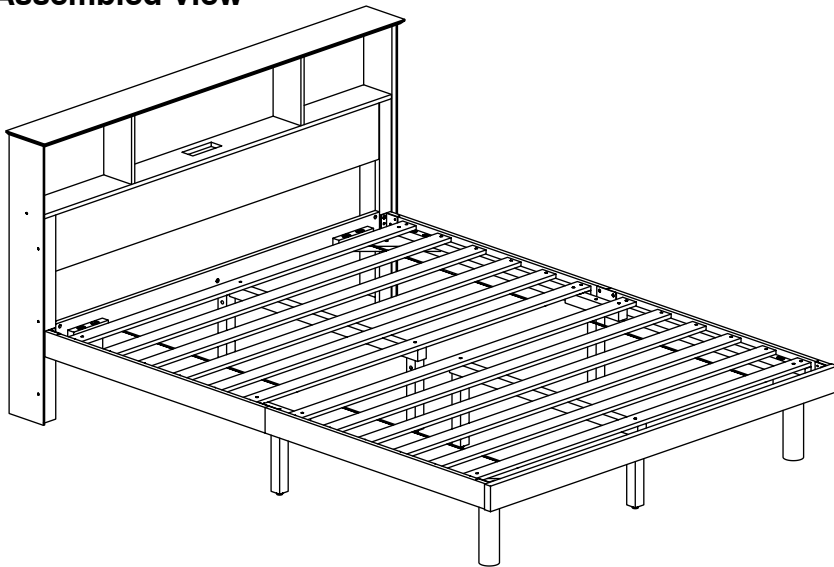


# 0079 S Queen Bed

## Assembly Instructions

WI-0421

### 1 Assembled View

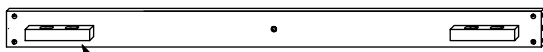


**Note:** Do not assemble using power tools. This can cause the bolts to be overtightened

### 2 Parts List



**A** Headboard Top Panel x 1



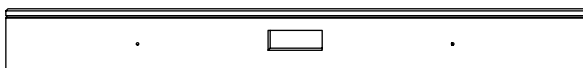
**B** Headboard Support x 1



**C** Footboard Panel x 1



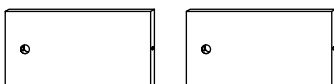
**D** Front Panel x 1



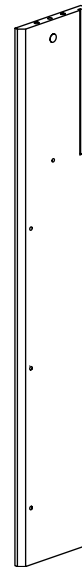
**E** Bottom Panel x 1



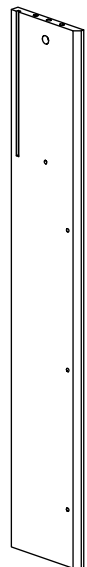
**F** Back Panel x 1



**G** Divider x 2



**H** Headboard Side Panel (Left Hand) x 1



**J** Headboard Side Panel (Right Hand) x 1



**K** Headboard Post (Left Hand) x 1



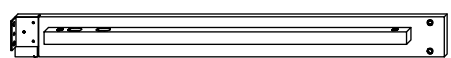
**L** Headboard Post (Right Hand) x 1

# 0079 S Queen Bed

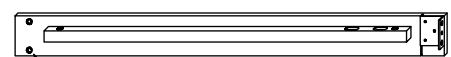
## Assembly Instructions

WI-0421

### 2 Part List



**M** Side Rail (Left Hand) x 2



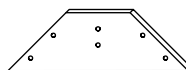
**N** Side Rail (Right Hand) x 2



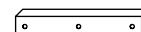
**O** Post x 4



**P** Support Leg x 6



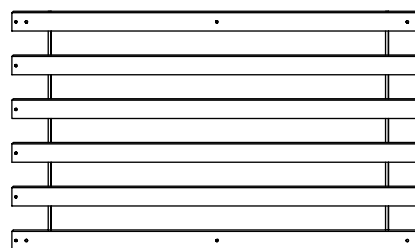
**Q** Support Panel x 4



**R** Support Bar x 2



**S** Long Support x 2



**T** Set of Bed Slats x 2

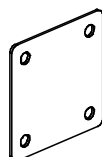
### 3 Hardware List



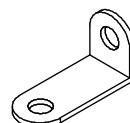
**1** M4 Allen Key x 1



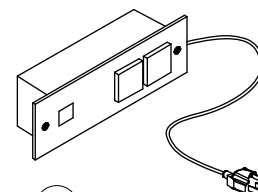
**2** M5 Allen Key x 1



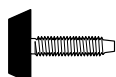
**3** Metal Plate x 2



**4** 'L' Bracket (5003) x 3



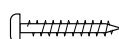
**5** Plug x 1



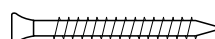
**6** Adjustable Foot x 6



**7** Wood Screw (M4 x 16mm) x 8



**8** Wood Screw (M4 x 32mm) x 16



**9** CSK Cap Wood Screw (M6 x 50mm) x 10



**10** Wood Dowel (M8 x 30mm) x 10



**11** Wood Dowel (M10 x 40mm) x 2



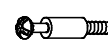
**12** Barrel Nut x 12



**13** Spring Washer x 24



**14** M6 Flat Washer x 34



**15** Connecting Bolt x 4



**16** Minifix Housing x 4



**17** M6 JCN Nut x 4



**18** M8 Flat Washer x 4



**19** M8 x 50mm JCB x 8



**20** M6 x 15mm JCB x 8



**21** M6 x 20mm JCB x 8



**22** M6 x 40mm JCB x 8



**23** M6 x 50mm JCB x 20



**24** M6 x 90mm JCB x 8



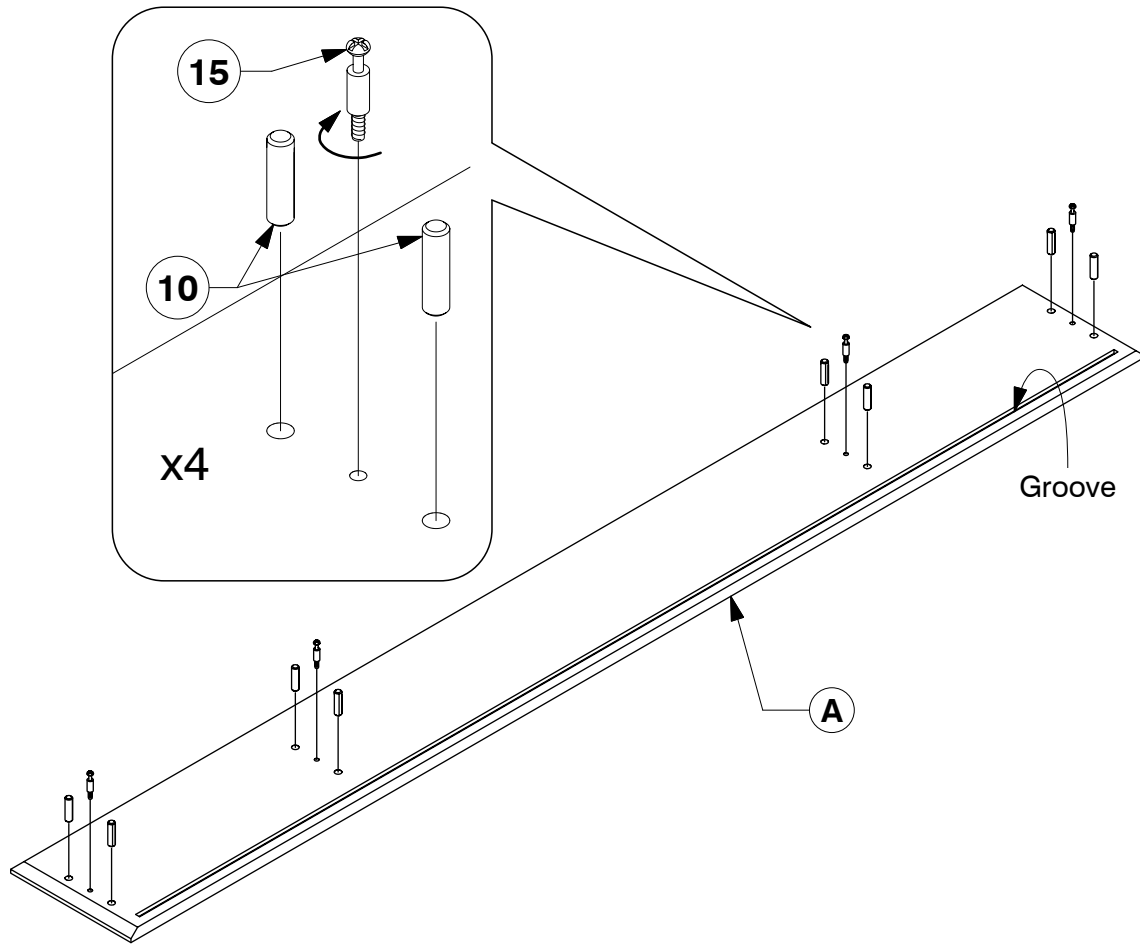
**25** M6 x 100mm JCB x 4

# 0079 S Queen Bed

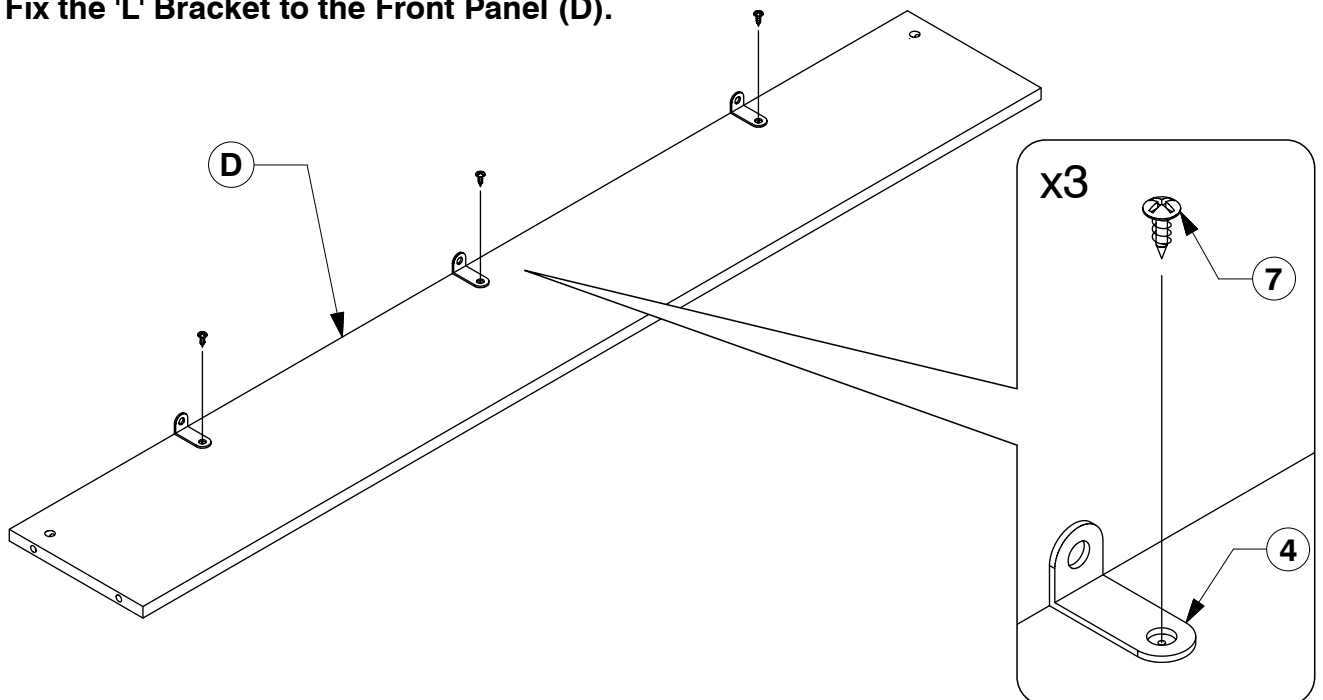
## Assembly Instructions

WI-0421

### 4 Fix the Dowels & Connecting Bolt to the Headboard Top Panel (A).



### 5 Fix the 'L' Bracket to the Front Panel (D).

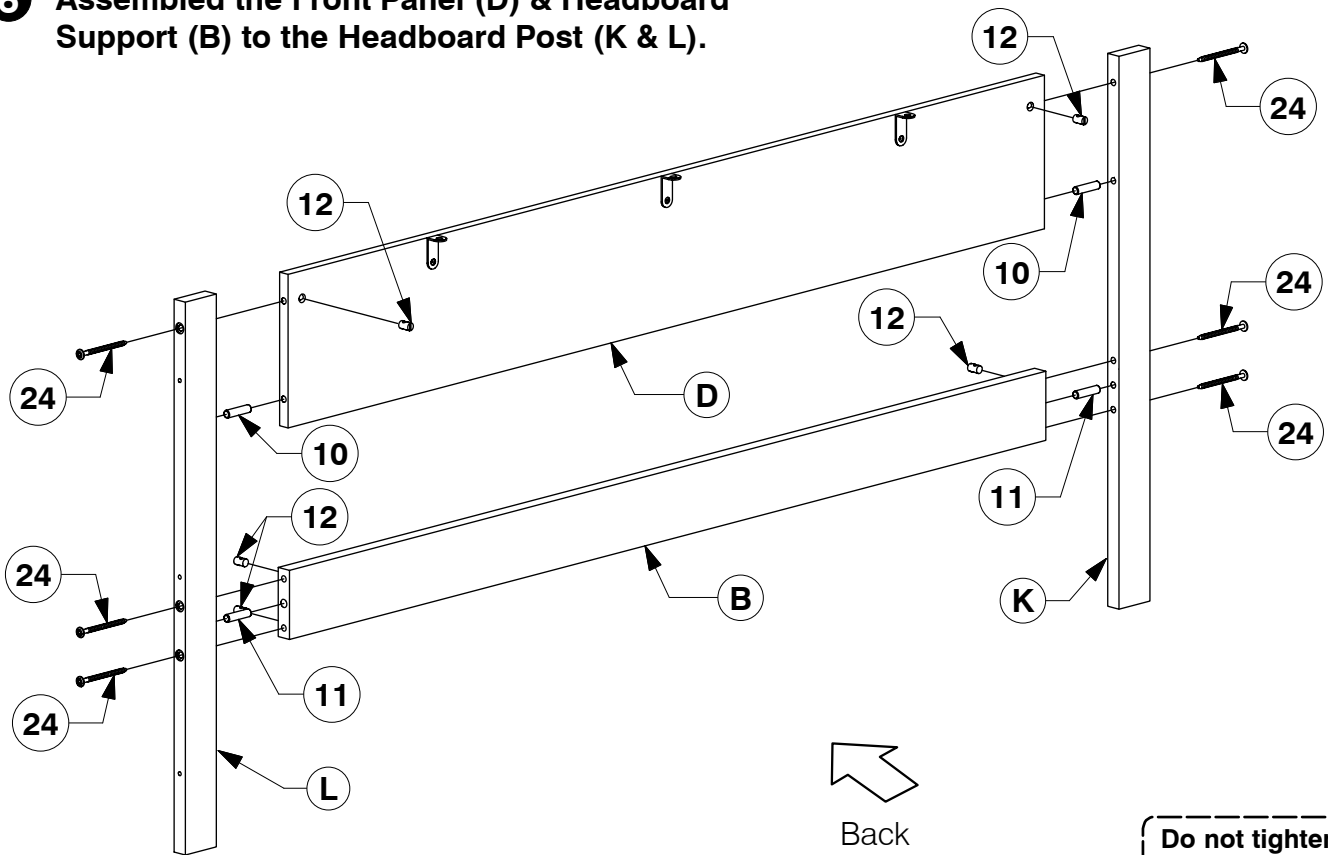


# 0079 S Queen Bed

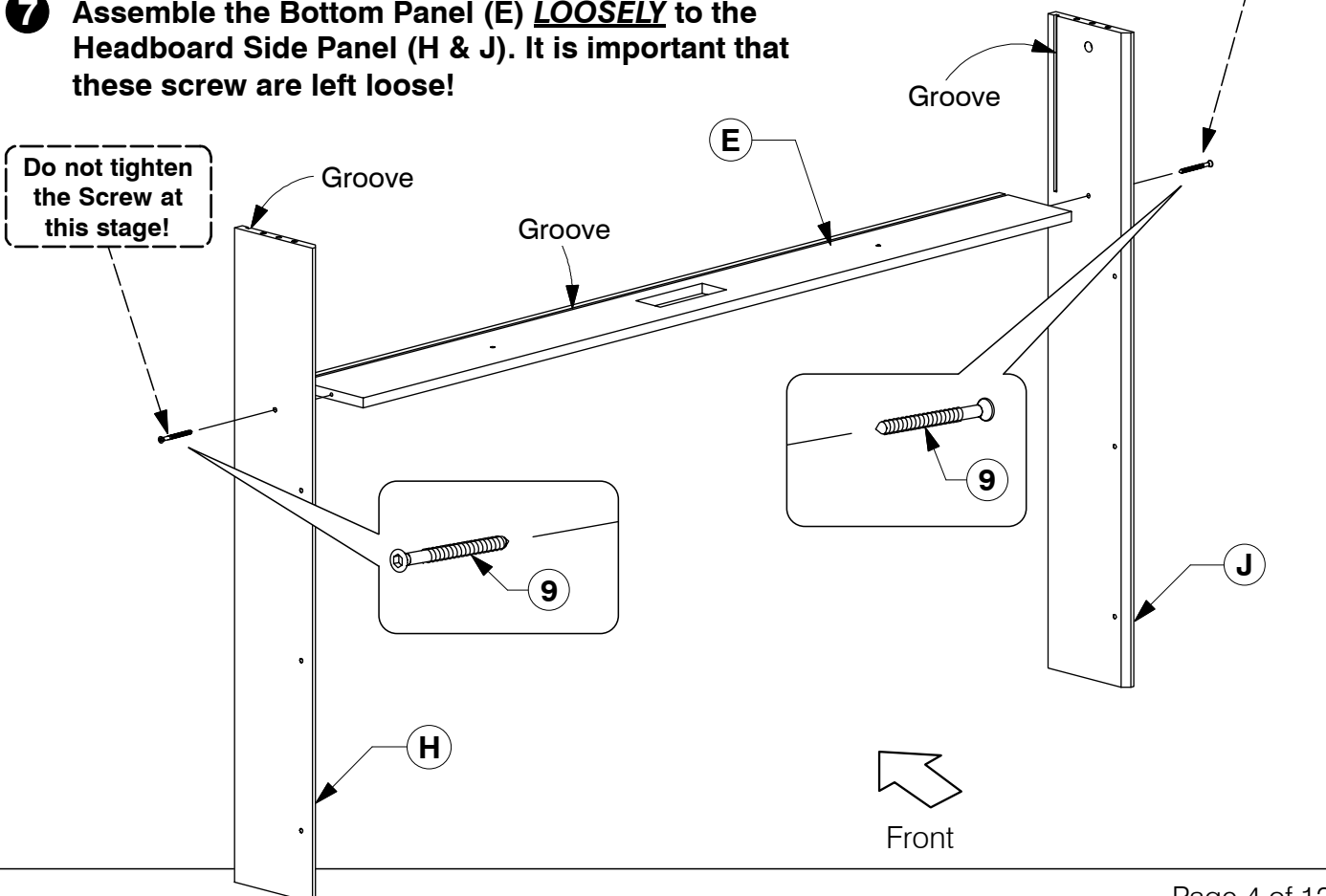
## Assembly Instructions

WI-0421

- 6** Assembled the Front Panel (D) & Headboard Support (B) to the Headboard Post (K & L).



- 7** Assemble the Bottom Panel (E) LOOSELY to the Headboard Side Panel (H & J). It is important that these screw are left loose!

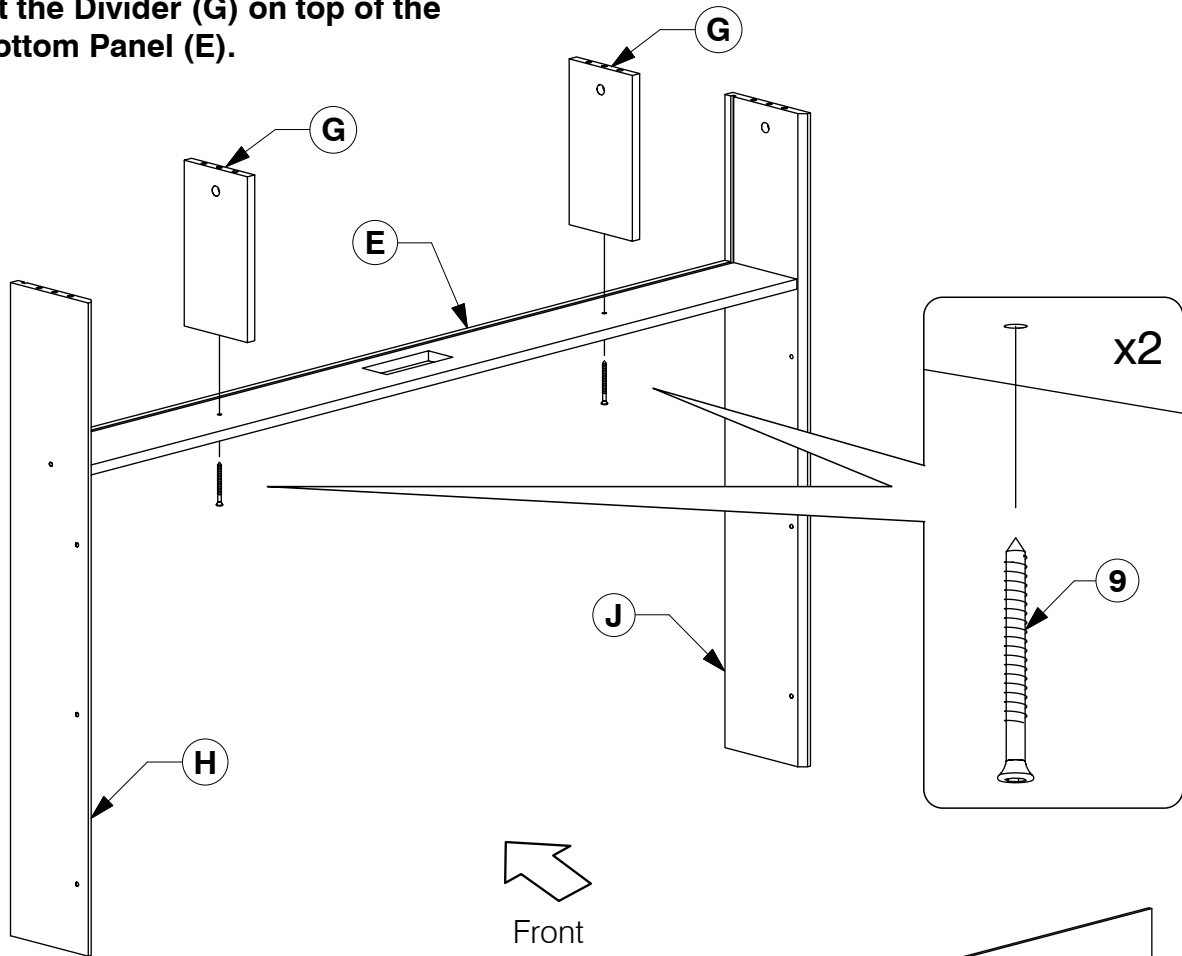


# 0079 S Queen Bed

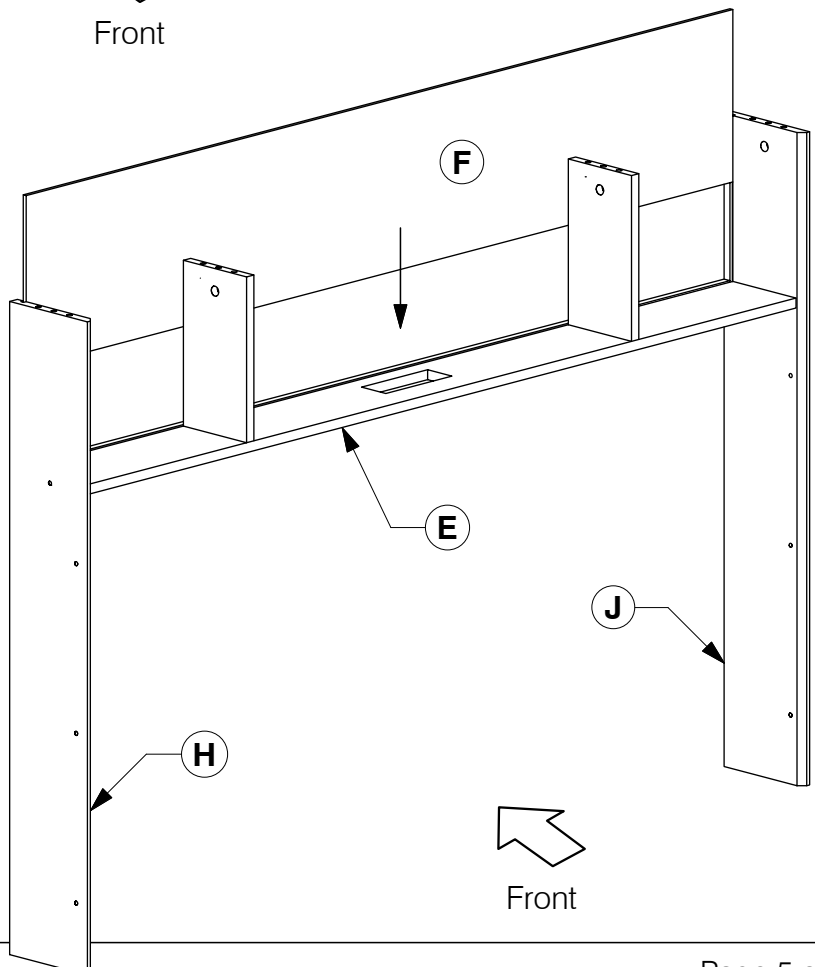
## Assembly Instructions

WI-0421

- 8** Fit the Divider (G) on top of the Bottom Panel (E).



- 9** Slide the Back Panel (F) into the groove on the Headboard Side Panel (H & J) & Bottom Panel (E).

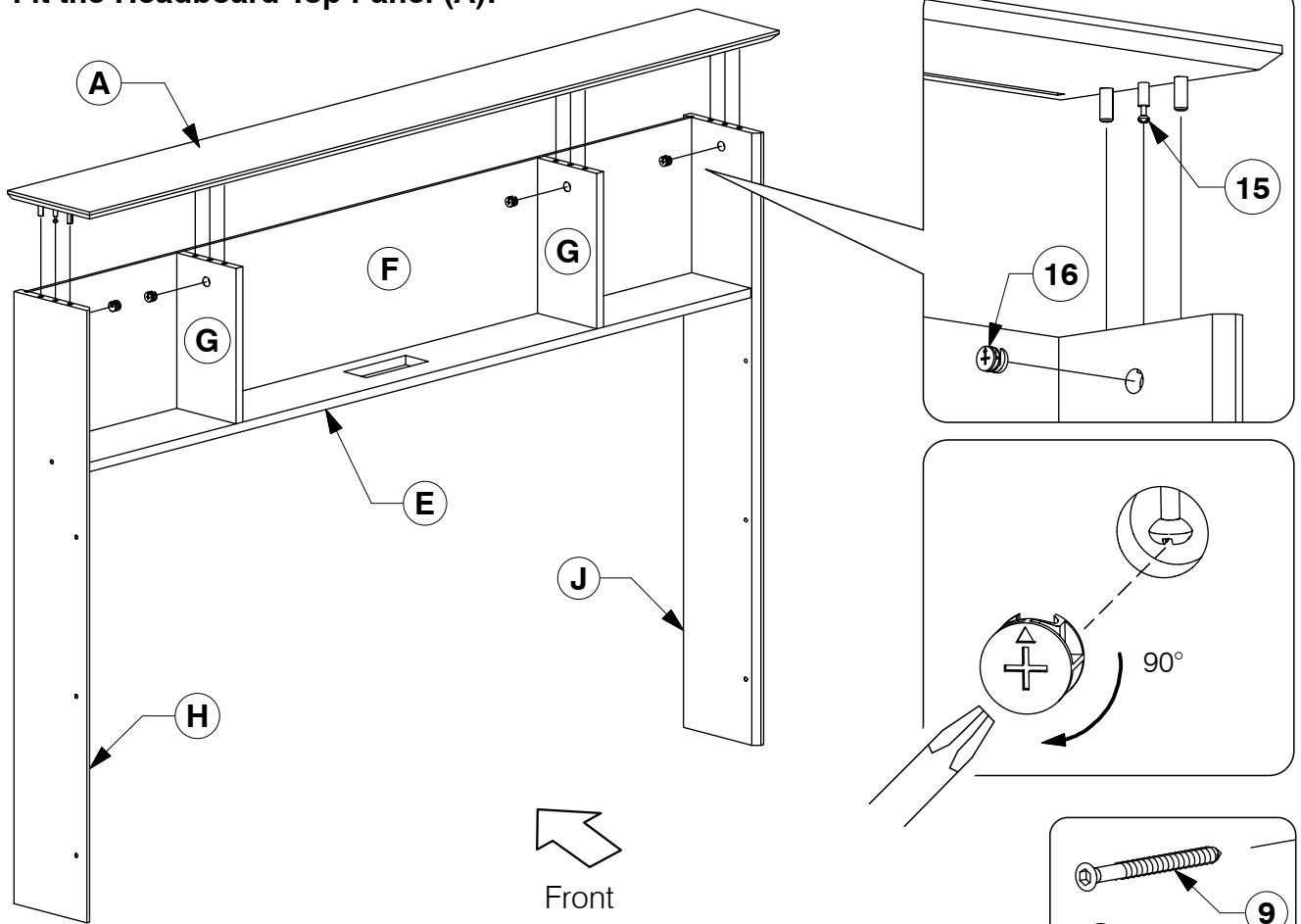


# 0079 S Queen Bed

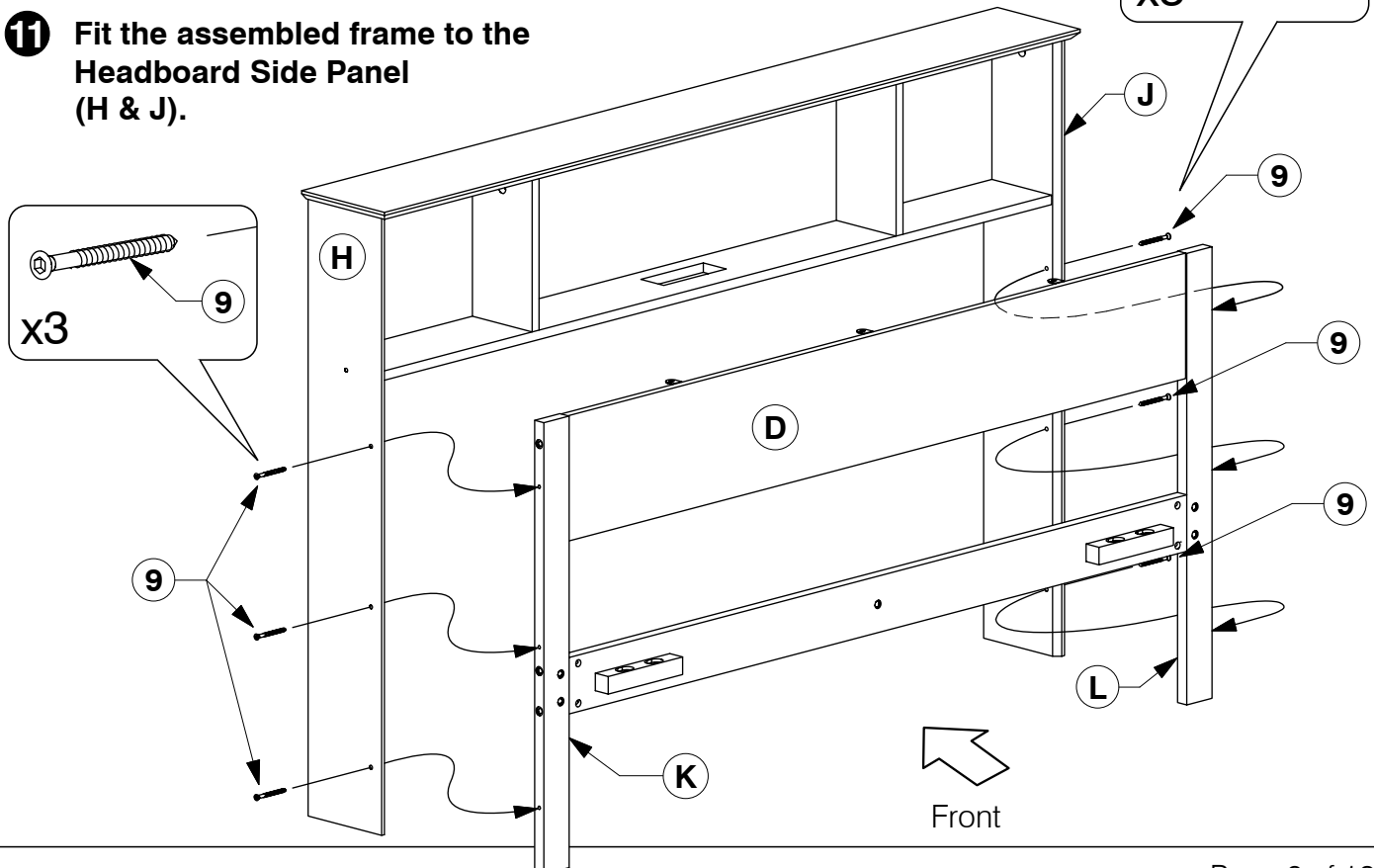
## Assembly Instructions

WI-0421

### 10 Fit the Headboard Top Panel (A).



### 11 Fit the assembled frame to the Headboard Side Panel (H & J).

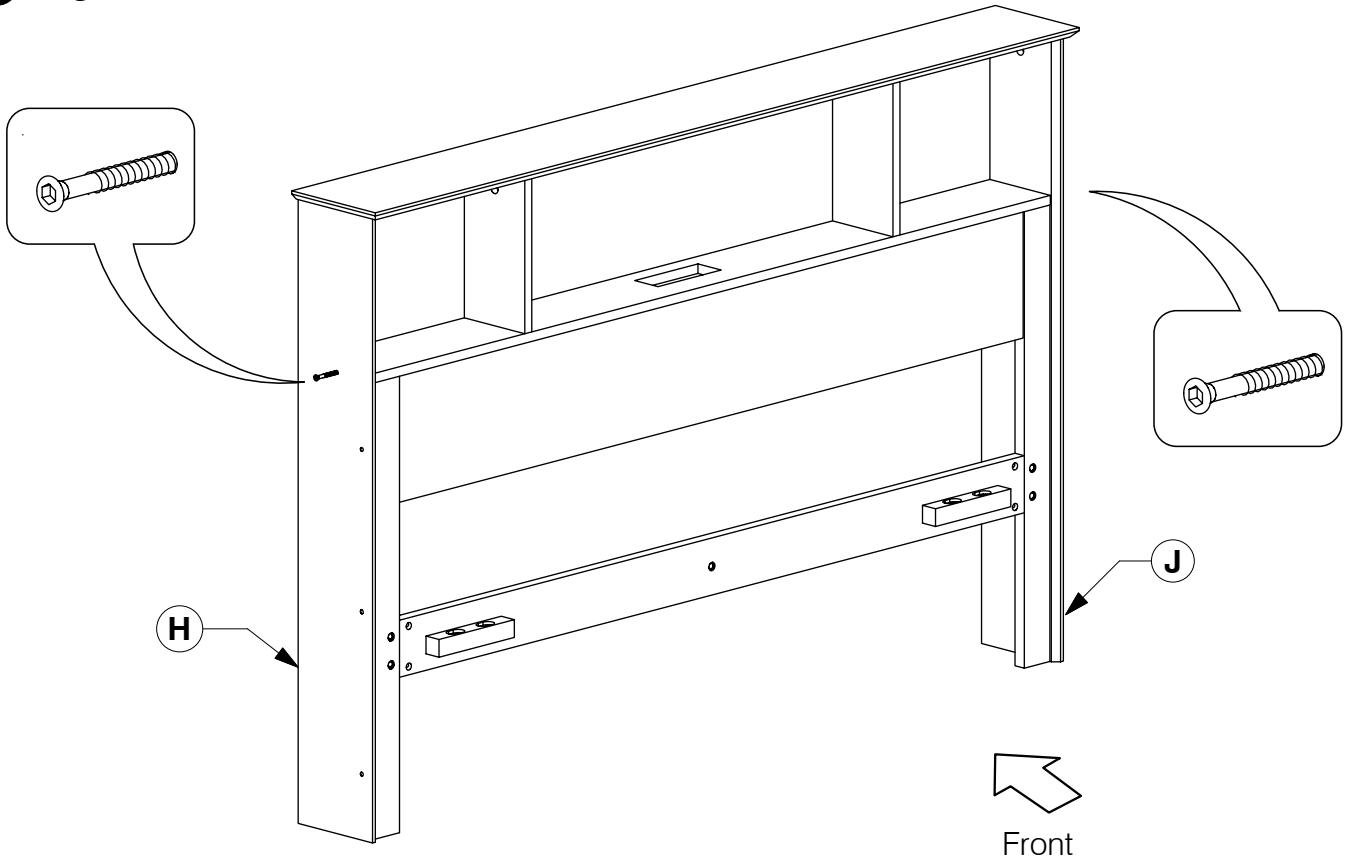


# 0079 S Queen Bed

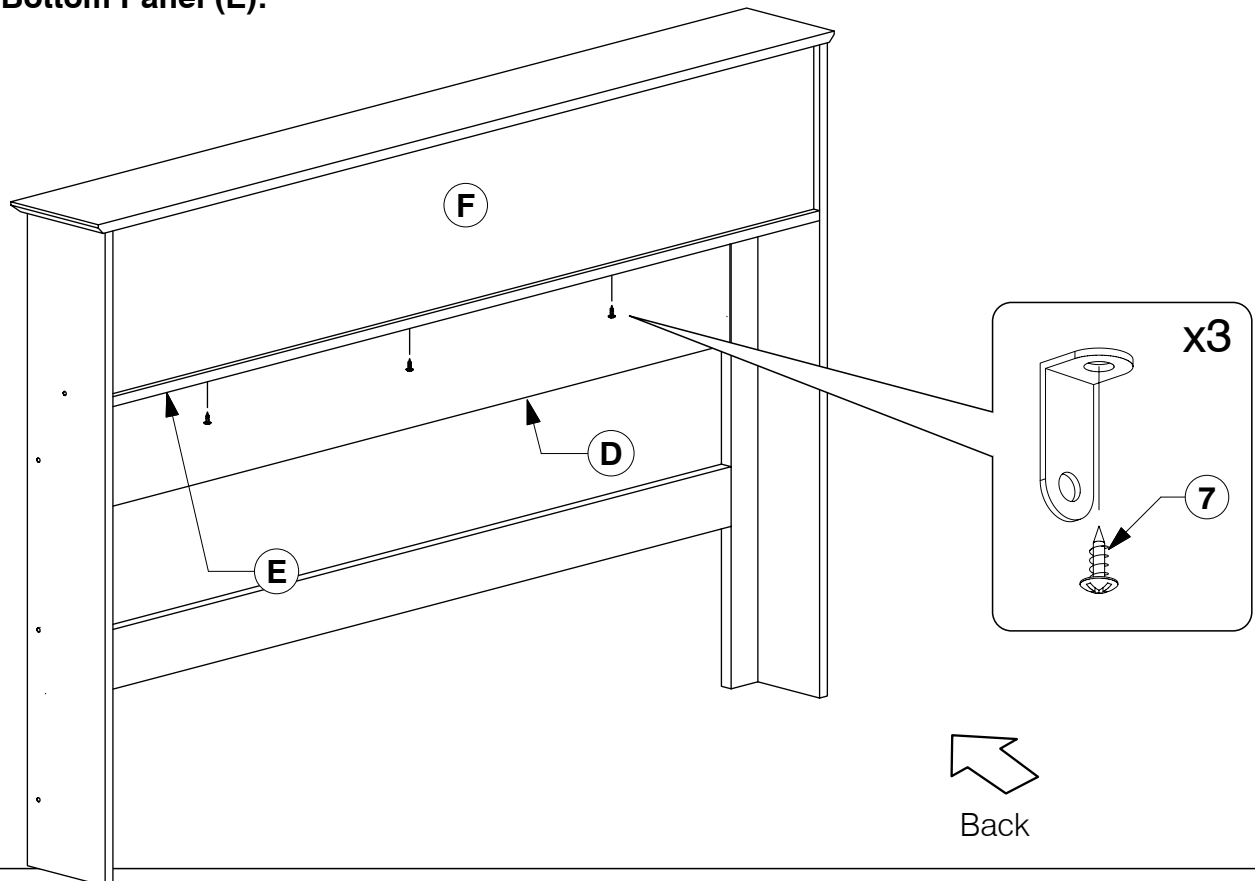
## Assembly Instructions

WI-0421

### 12 Tighten all the Screws.



### 13 Fit the screw to the bottom of the Bottom Panel (E).

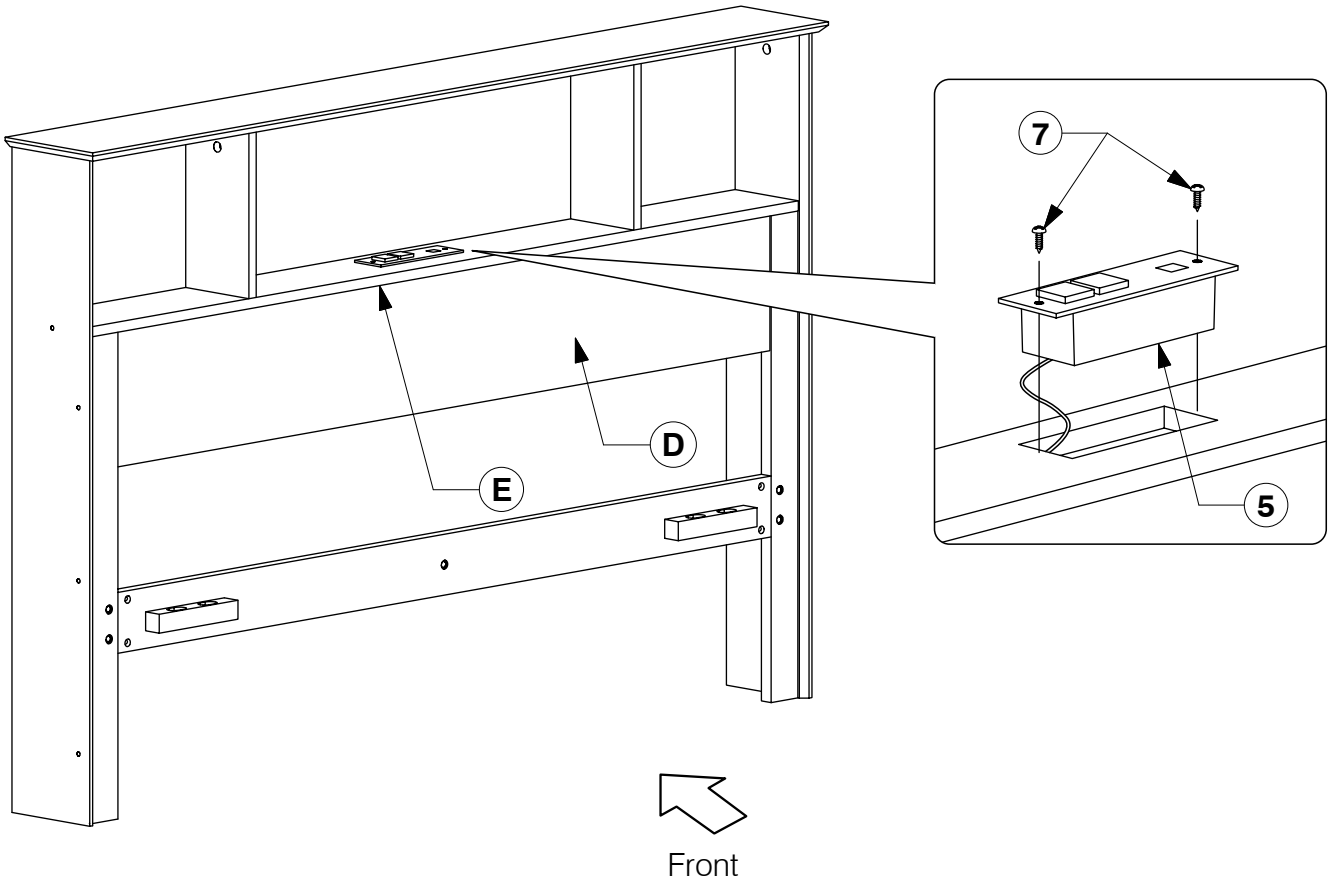


# 0079 S Queen Bed

## Assembly Instructions

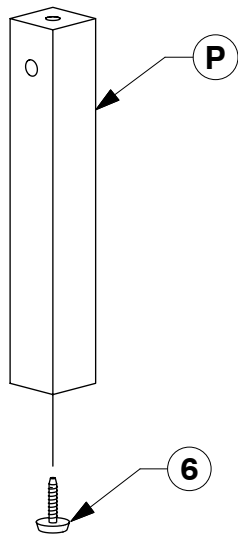
WI-0421

- 14** Fit the Plug into the cut-out holes.



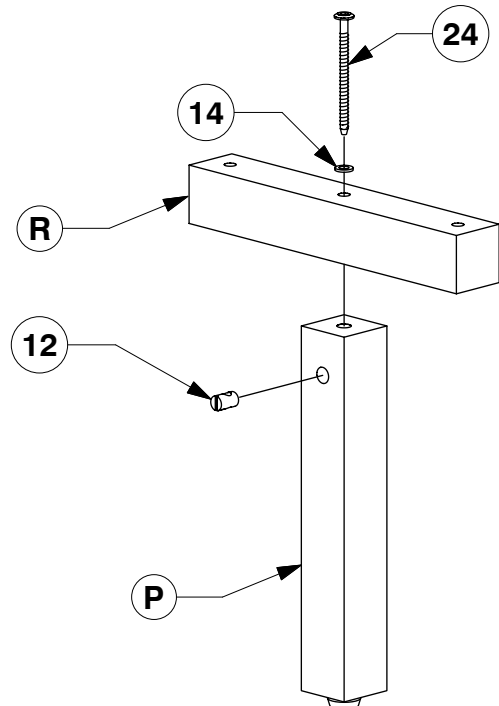
- 15** Fit the Adjustable foot to the bottom of the Support Leg (P).

x6



- 16** Fit the Support Bar (R) to the Support Leg (P).

x2





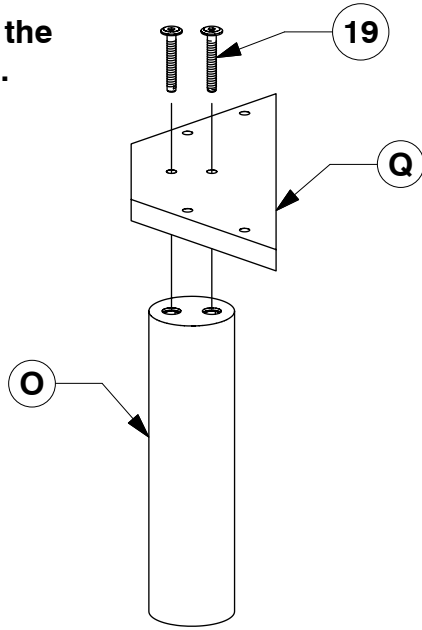
# 0079 S Queen Bed

## Assembly Instructions

WI-0421

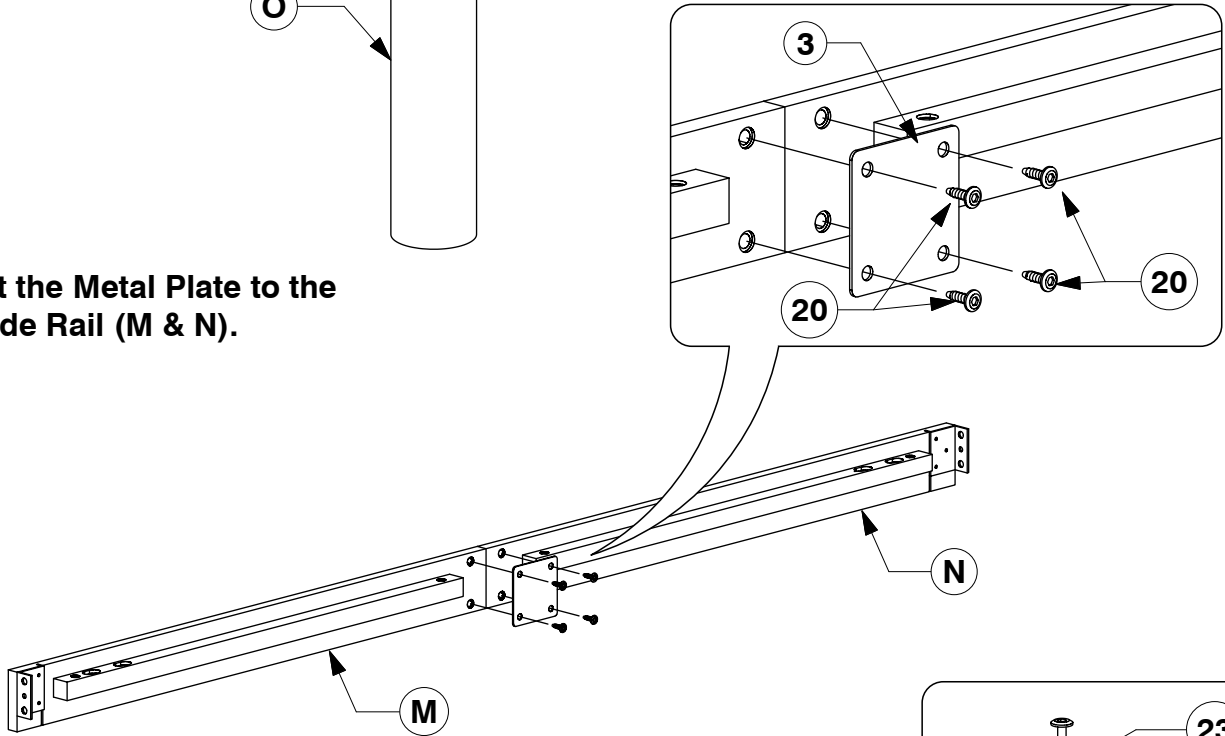
- 17** Fit the Post (O) to the Support Panel (Q).

x4



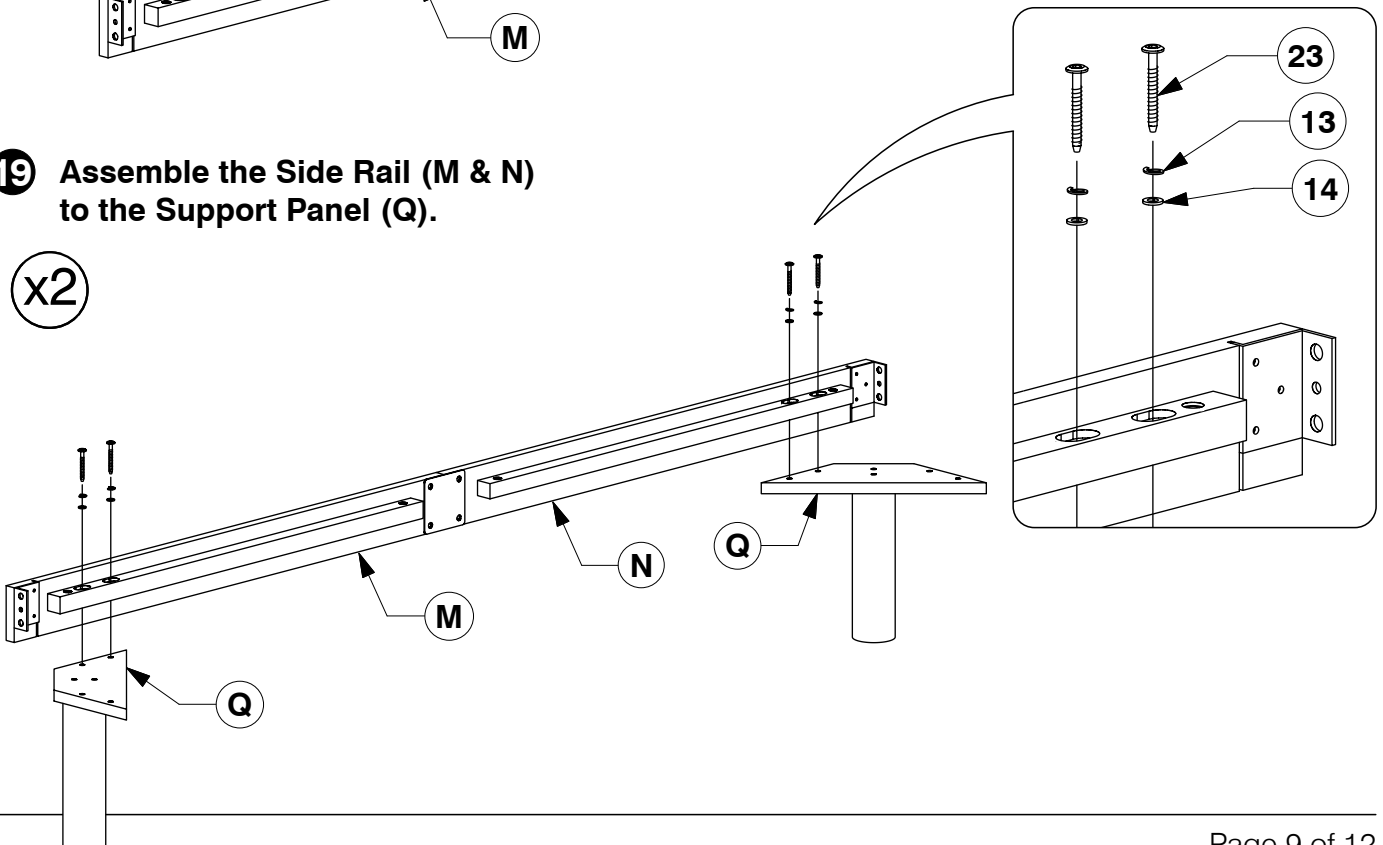
- 18** Fit the Metal Plate to the Side Rail (M & N).

x2



- 19** Assemble the Side Rail (M & N) to the Support Panel (Q).

x2

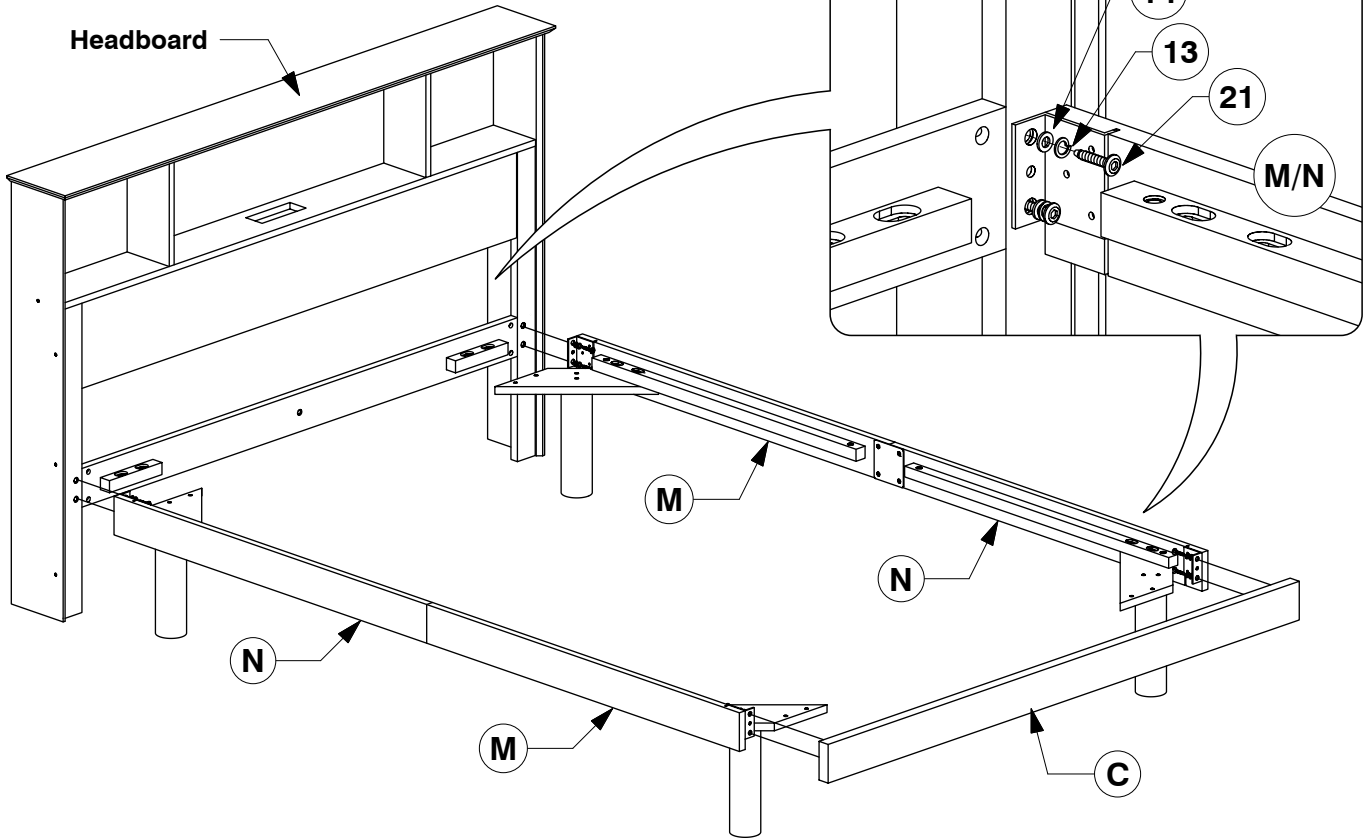


# 0079 S Queen Bed

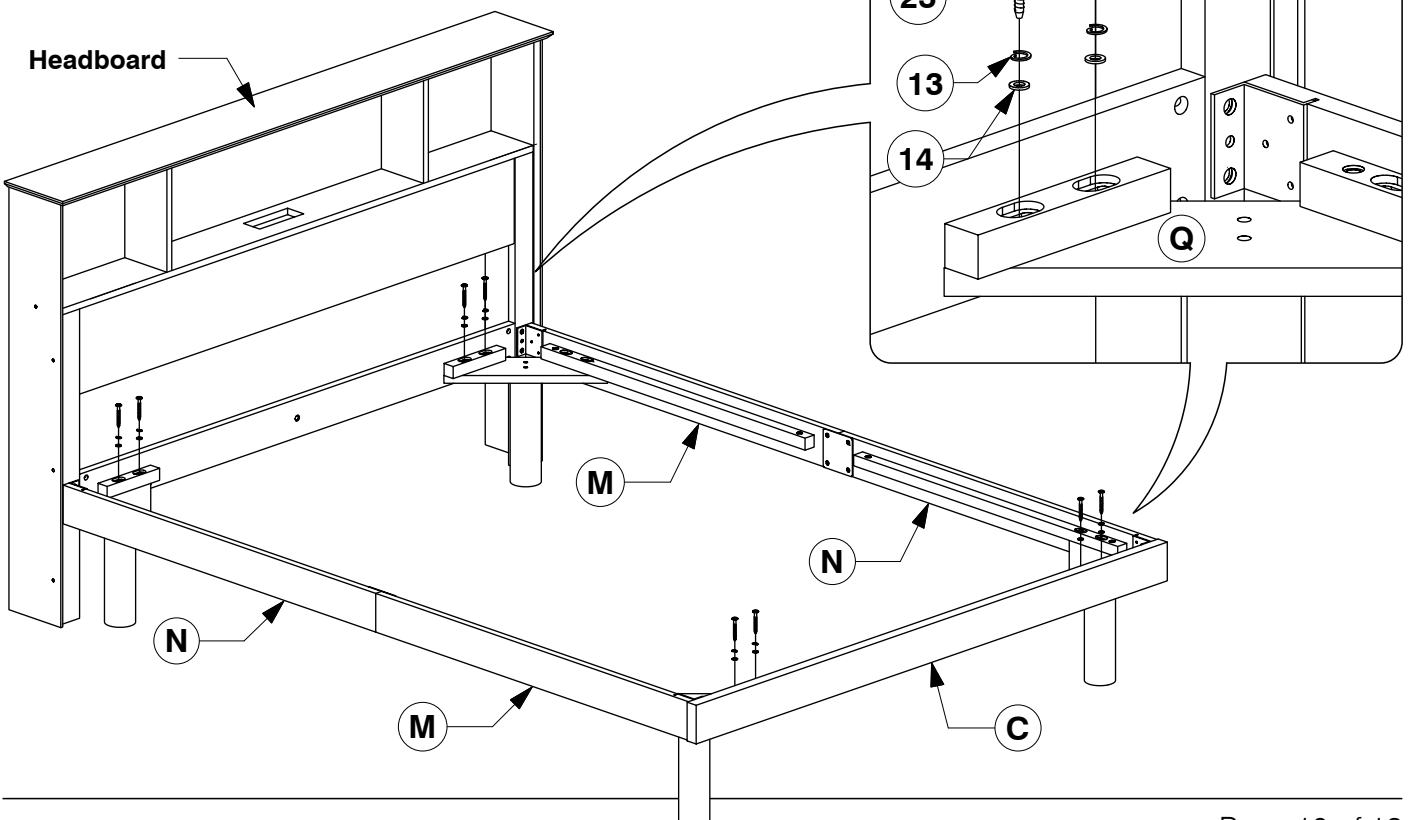
## Assembly Instructions

WI-0421

### 20 Assemble the Side Rail (M & N) to the Headboard & Footboard.



### 21 Bolt the Support Panel (Q) to the Headboard & Footboard.



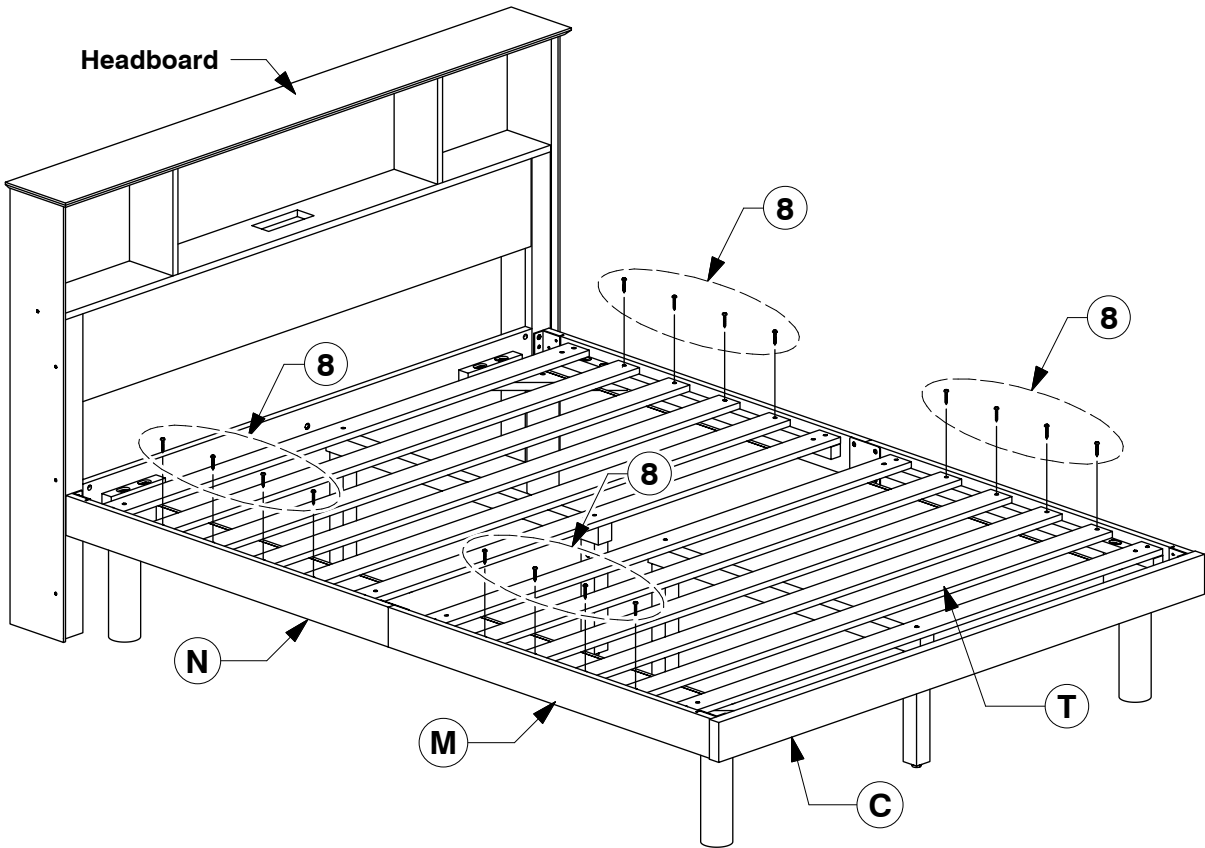


# 0079 S Queen Bed

## Assembly Instructions

WI-0421

- 24** Screw the Bed Slats (T) to the Side Rail (M & N).



- 25** Lastly, fit the Support Bar (R) in place.

