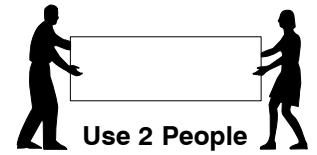
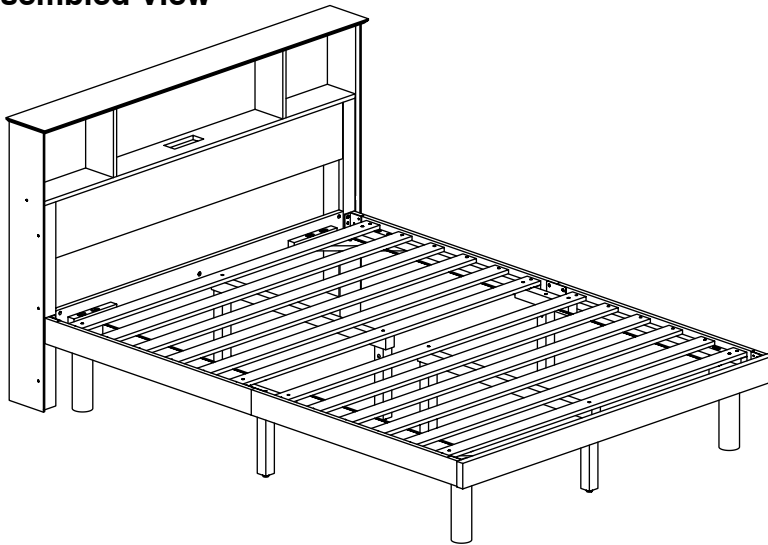


0079 S Full Bed

Assembly Instructions

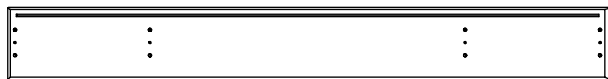
WI-0421

1 Assembled View

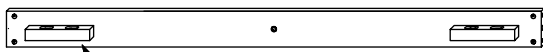


Note: Do not assemble using power tools. This can cause the bolts to be overtightened

2 Parts List



A Headboard Top Panel x 1



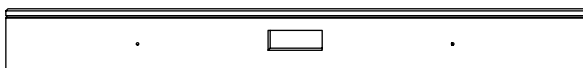
B Headboard Support x 1



C Footboard Panel x 1



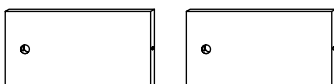
D Front Panel x 1



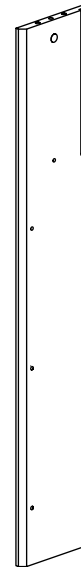
E Bottom Panel x 1



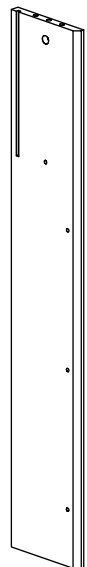
F Back Panel x 1



G Divider x 2



H Headboard Side Panel (Left Hand) x 1



J Headboard Side Panel (Right Hand) x 1



K Headboard Post (Left Hand) x 1



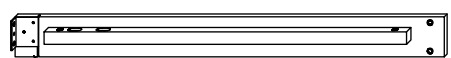
L Headboard Post (Right Hand) x 1

0079 S Full Bed

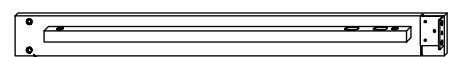
Assembly Instructions

WI-0421

2 Part List



M Side Rail (Left Hand) x 2



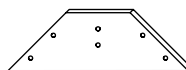
N Side Rail (Right Hand) x 2



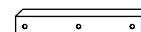
O Post x 4



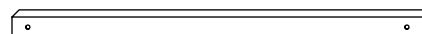
P Support Leg x 6



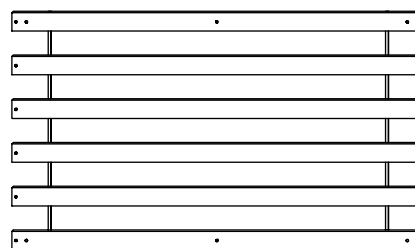
Q Support Panel x 4



R Support Bar x 2



S Long Support x 2



T Set of Bed Slats x 2

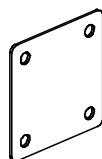
3 Hardware List



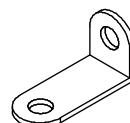
1 M4 Allen Key x 1



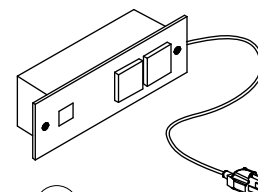
2 M5 Allen Key x 1



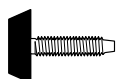
3 Metal Plate x 2



4 'L' Bracket (5003) x 3



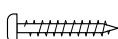
5 Plug x 1



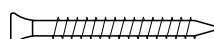
6 Adjustable Foot x 6



7 Wood Screw (M4 x 16mm) x 8



8 Wood Screw (M4 x 32mm) x 16



9 CSK Cap Wood Screw (M6 x 50mm) x 10



10 Wood Dowel (M8 x 30mm) x 10



11 Wood Dowel (M10 x 40mm) x 2



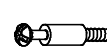
12 Barrel Nut x 12



13 Spring Washer x 24



14 M6 Flat Washer x 34



15 Connecting Bolt x 4



16 Minifix Housing x 4



17 M6 JCN Nut x 4



18 M8 Flat Washer x 4



19 M8 x 50mm JCB x 8



20 M6 x 15mm JCB x 8



21 M6 x 20mm JCB x 8



22 M6 x 40mm JCB x 8



23 M6 x 50mm JCB x 20



24 M6 x 90mm JCB x 8



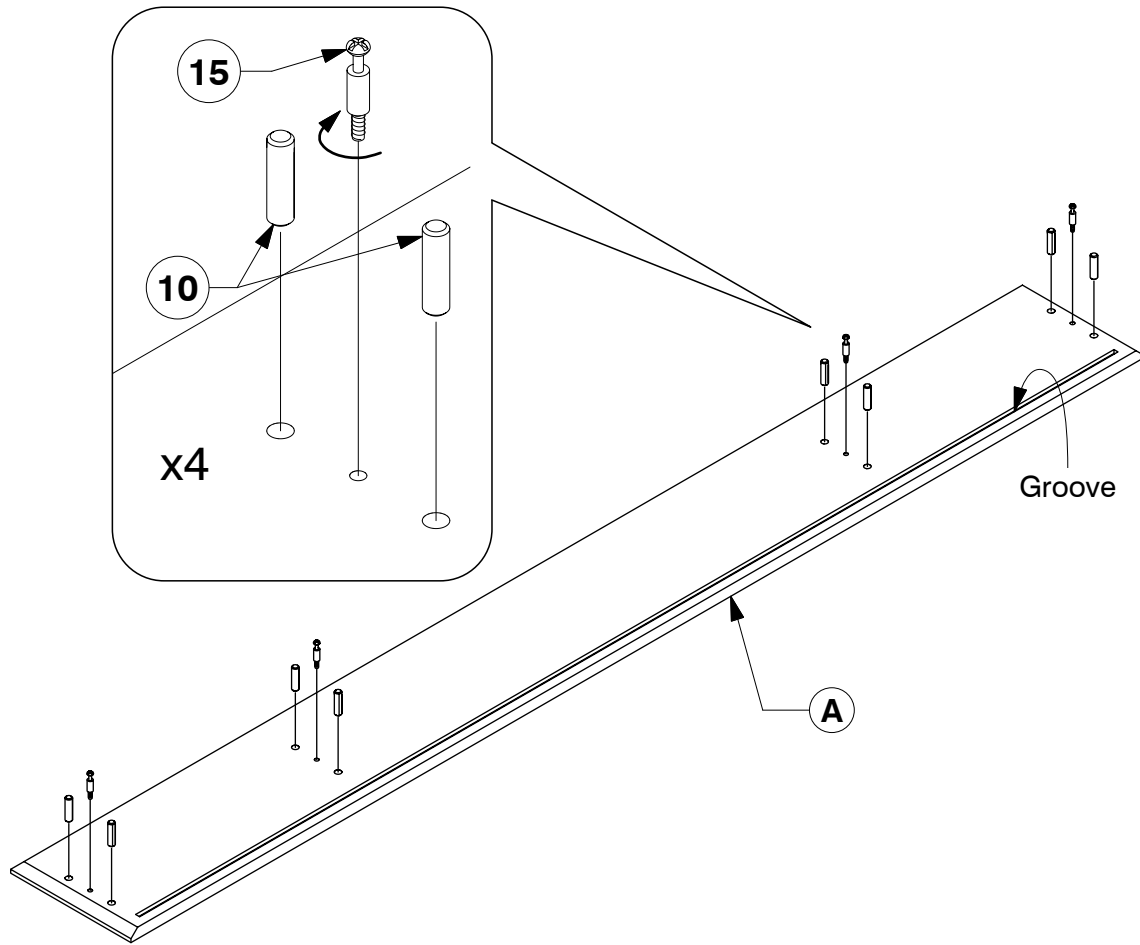
25 M6 x 100mm JCB x 4

0079 S Full Bed

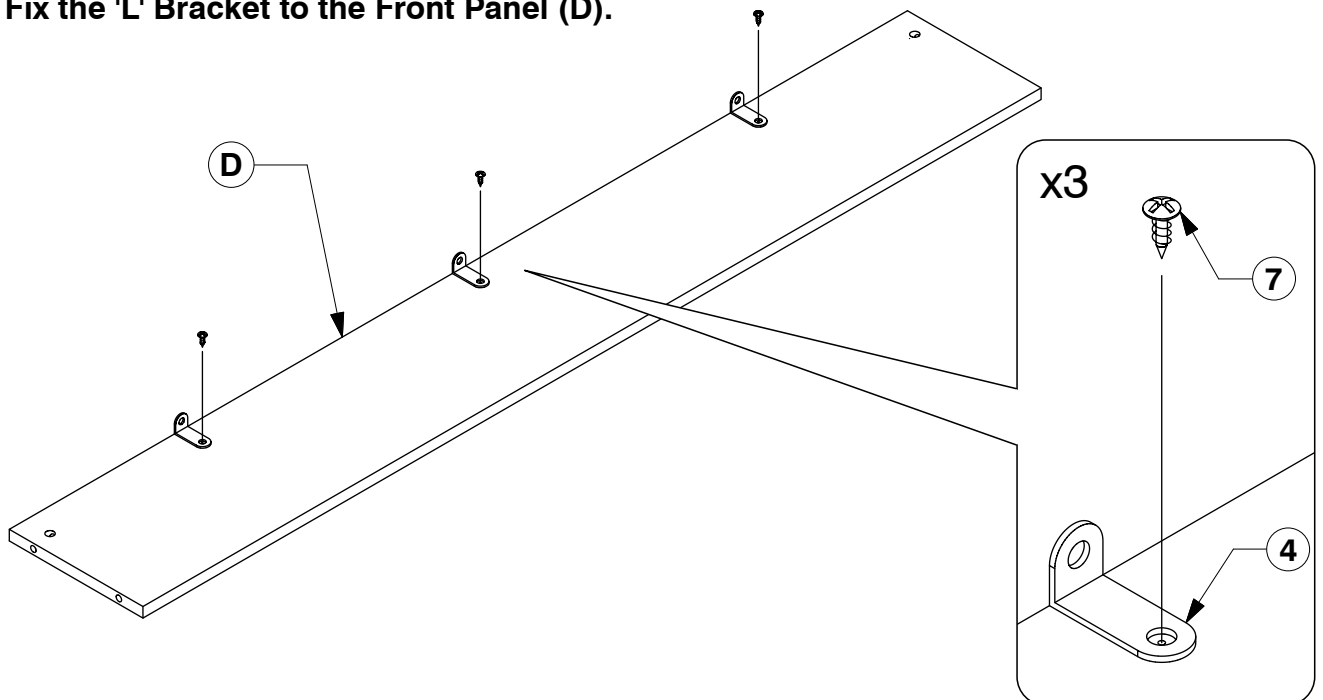
Assembly Instructions

WI-0421

4 Fix the Dowels & Connecting Bolt to the Headboard Top Panel (A).



5 Fix the 'L' Bracket to the Front Panel (D).

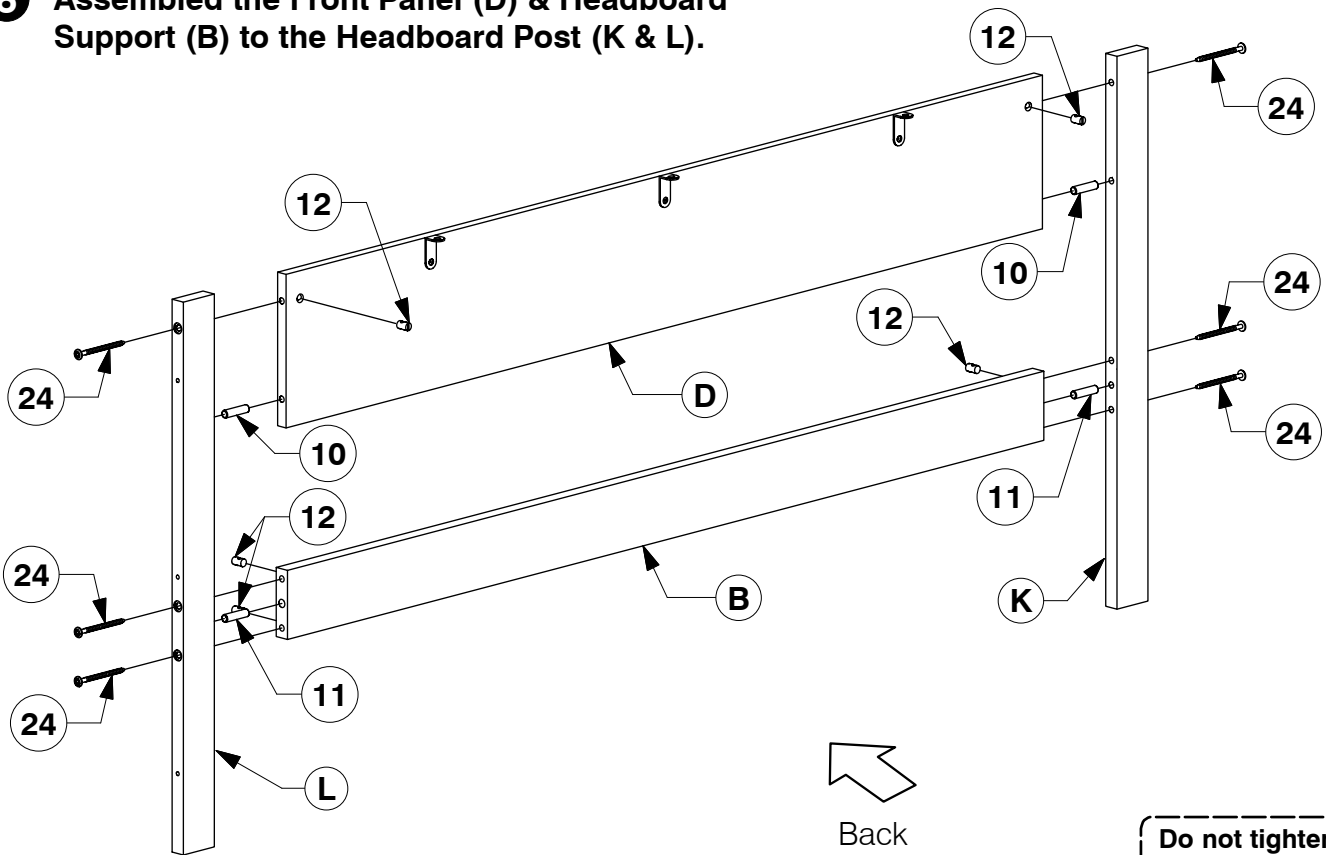


0079 S Full Bed

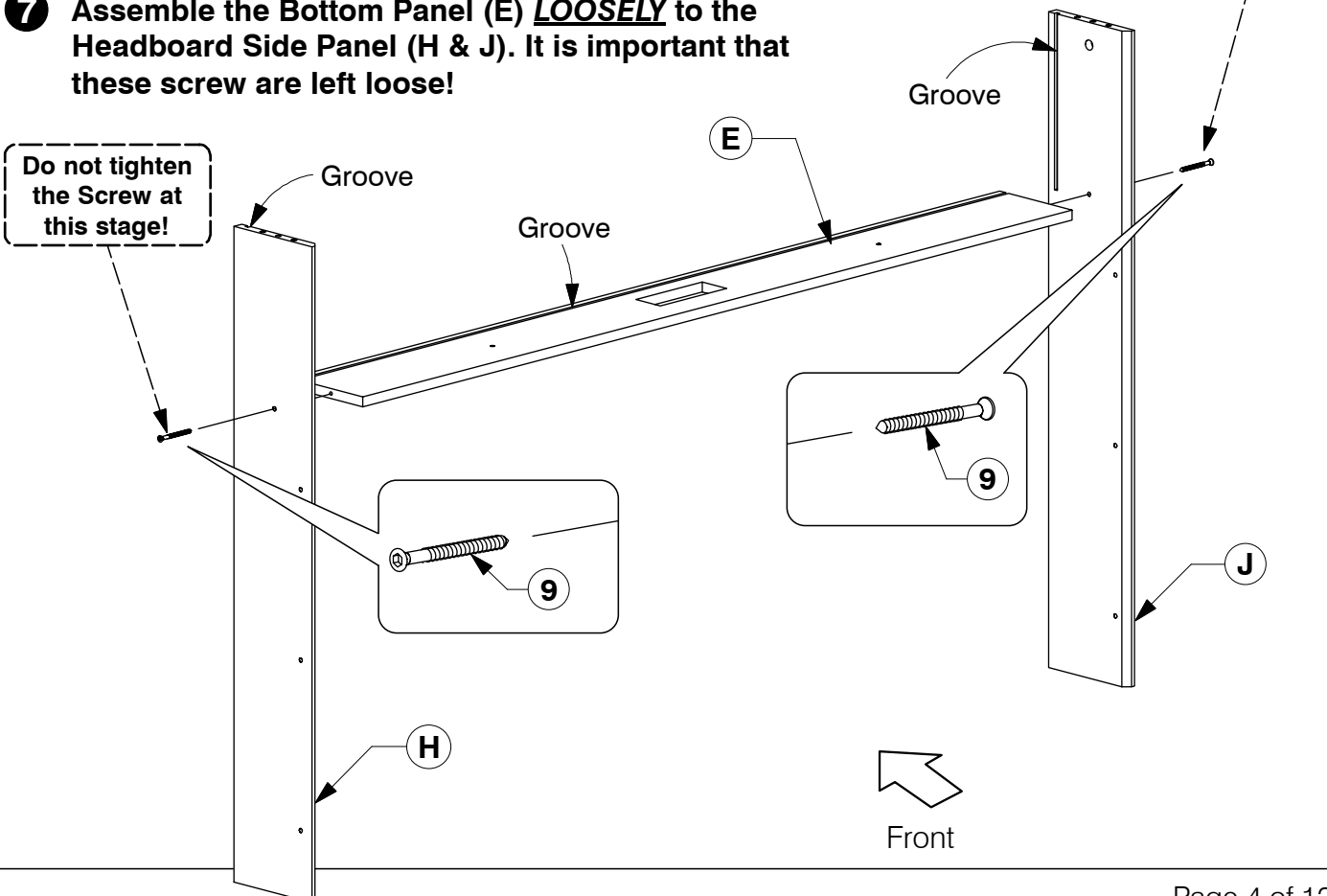
Assembly Instructions

WI-0421

- 6** Assembled the Front Panel (D) & Headboard Support (B) to the Headboard Post (K & L).



- 7** Assemble the Bottom Panel (E) **LOOSELY** to the Headboard Side Panel (H & J). It is important that these screw are left loose!

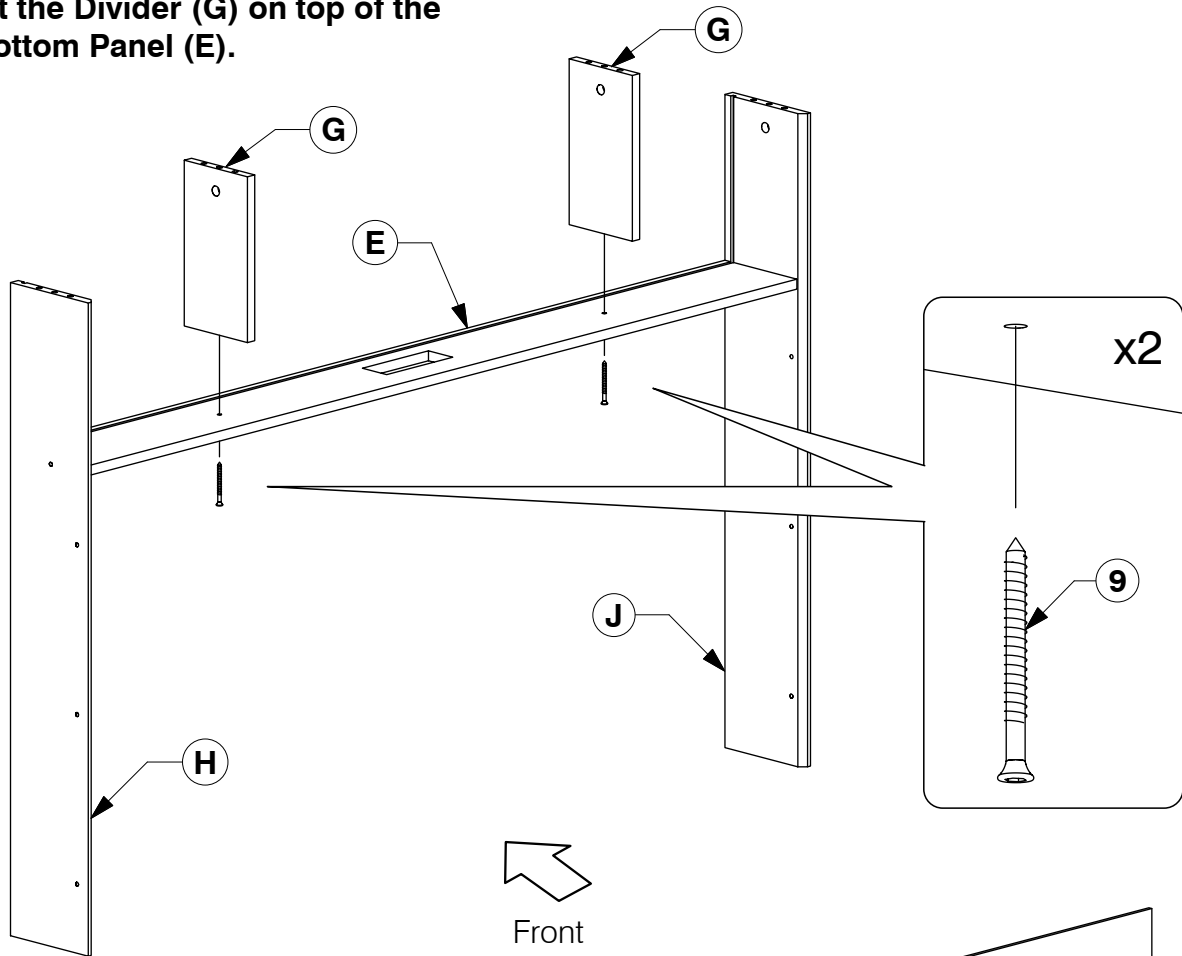


0079 S Full Bed

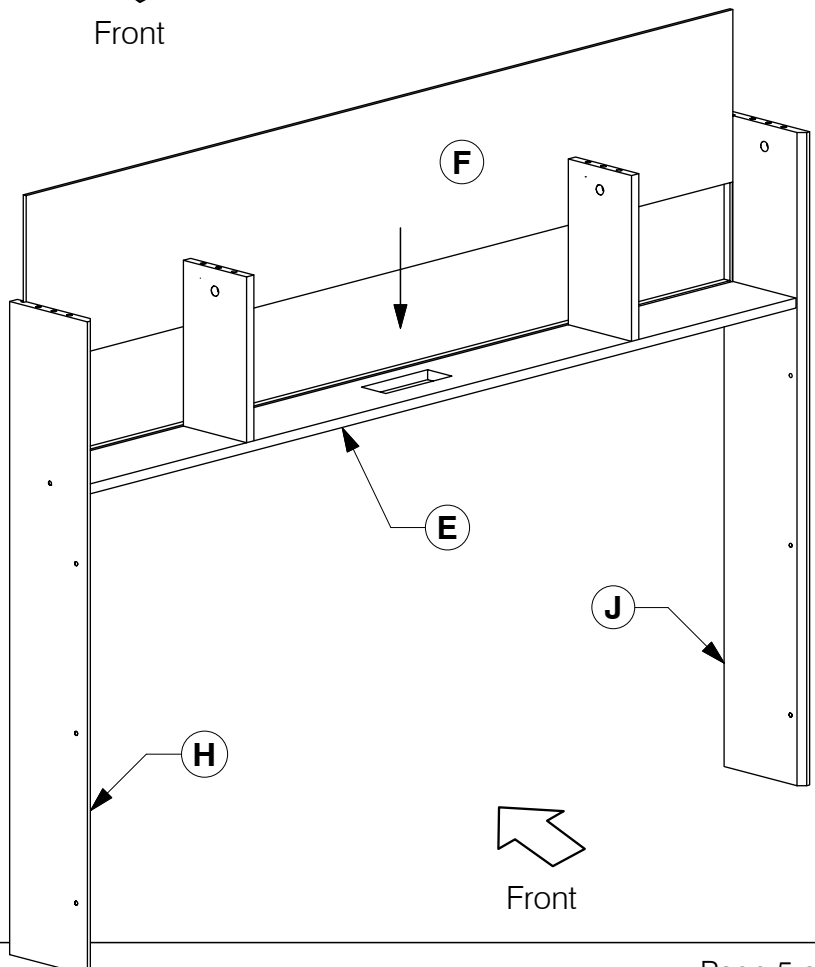
Assembly Instructions

WI-0421

- 8** Fit the Divider (G) on top of the Bottom Panel (E).



- 9** Slide the Back Panel (F) into the groove on the Headboard Side Panel (H & J) & Bottom Panel (E).

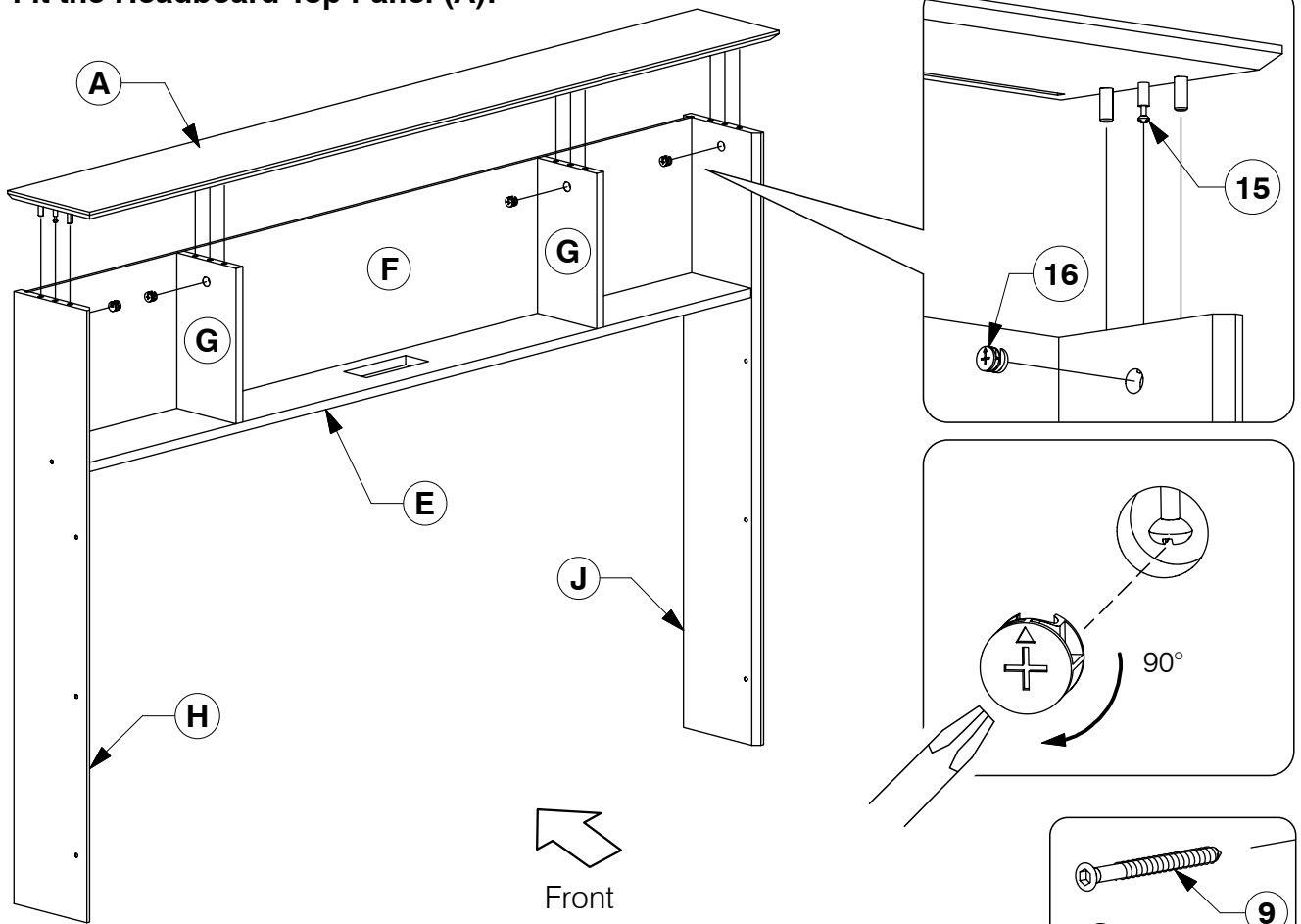


0079 S Full Bed

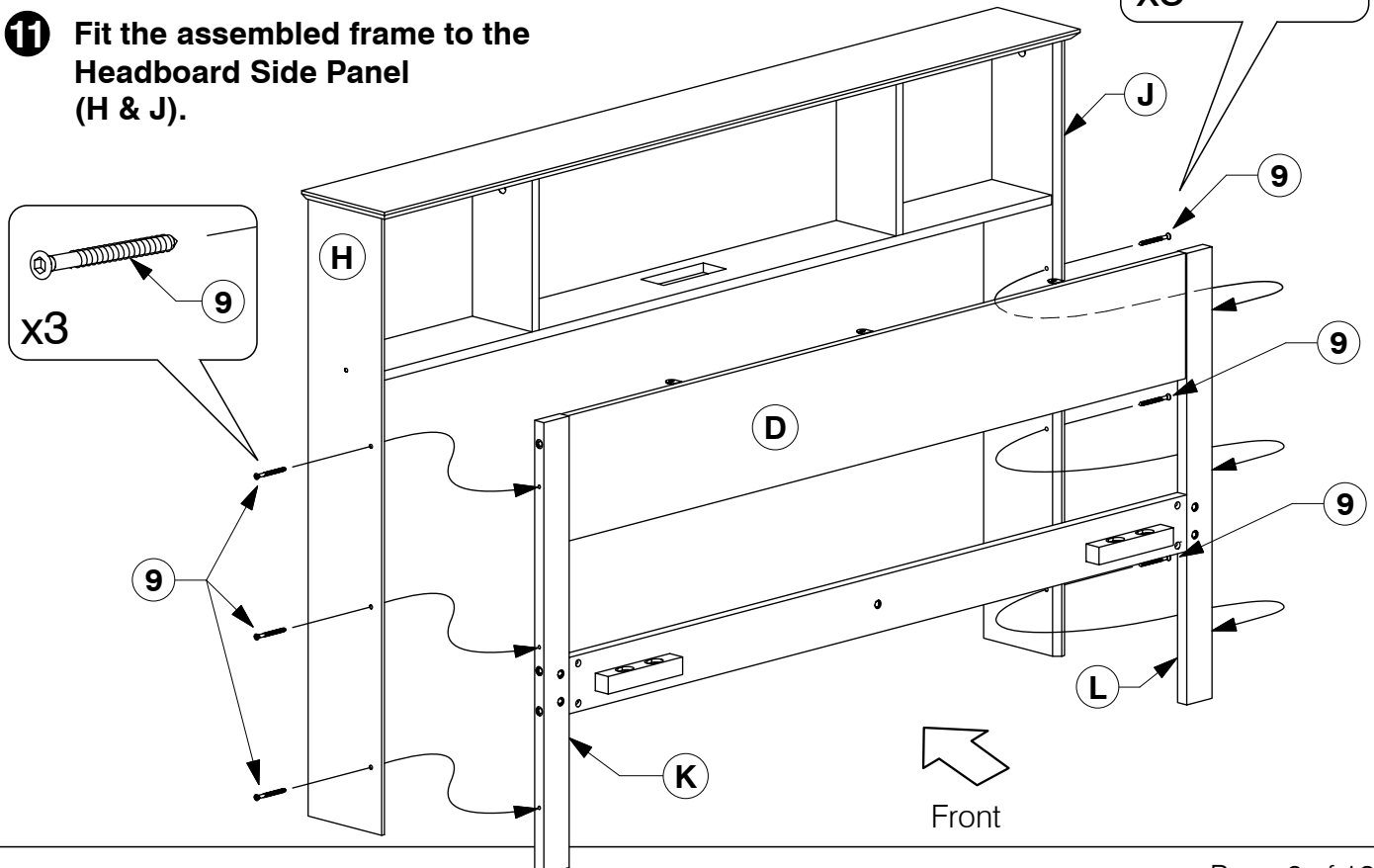
Assembly Instructions

WI-0421

10 Fit the Headboard Top Panel (A).



11 Fit the assembled frame to the Headboard Side Panel (H & J).

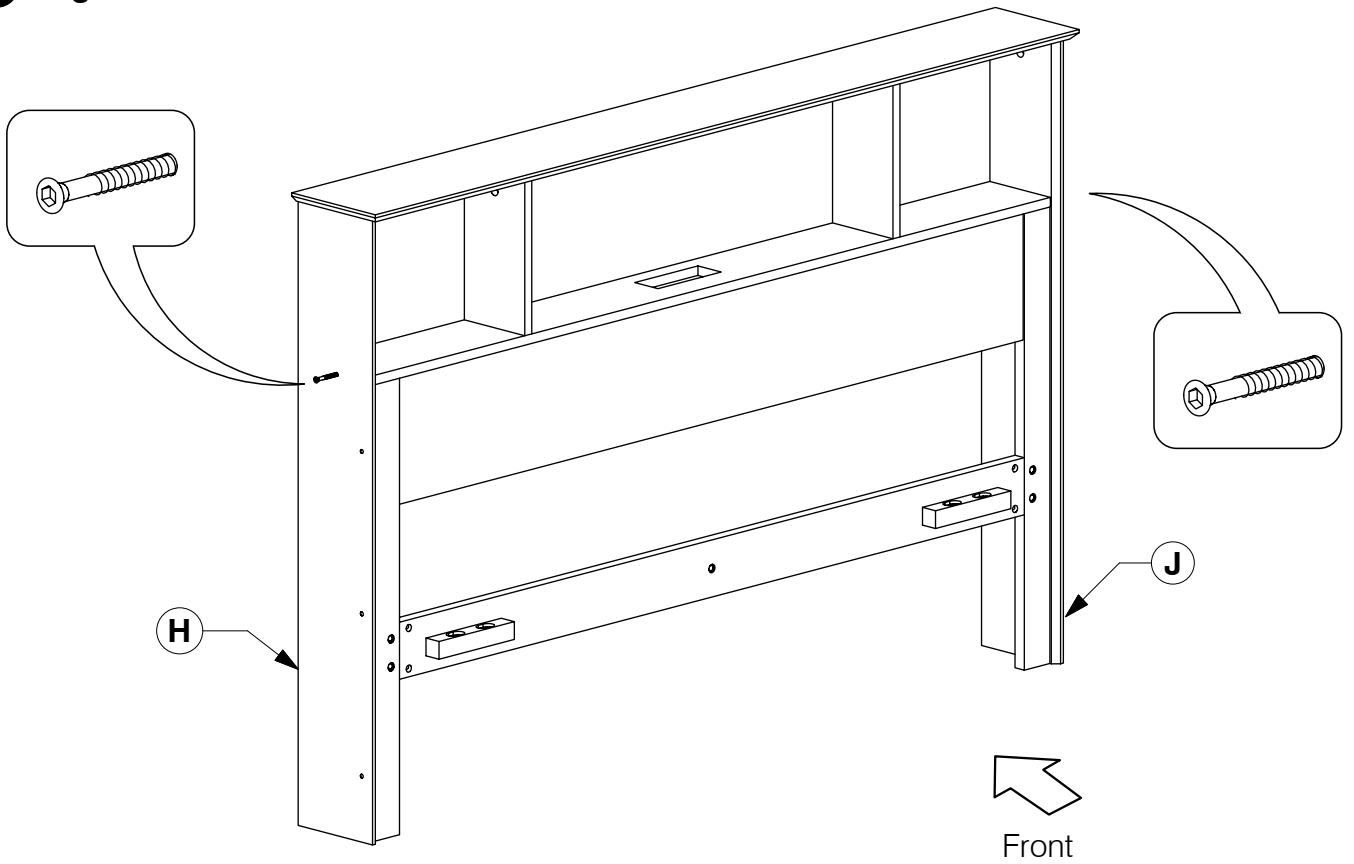


0079 S Full Bed

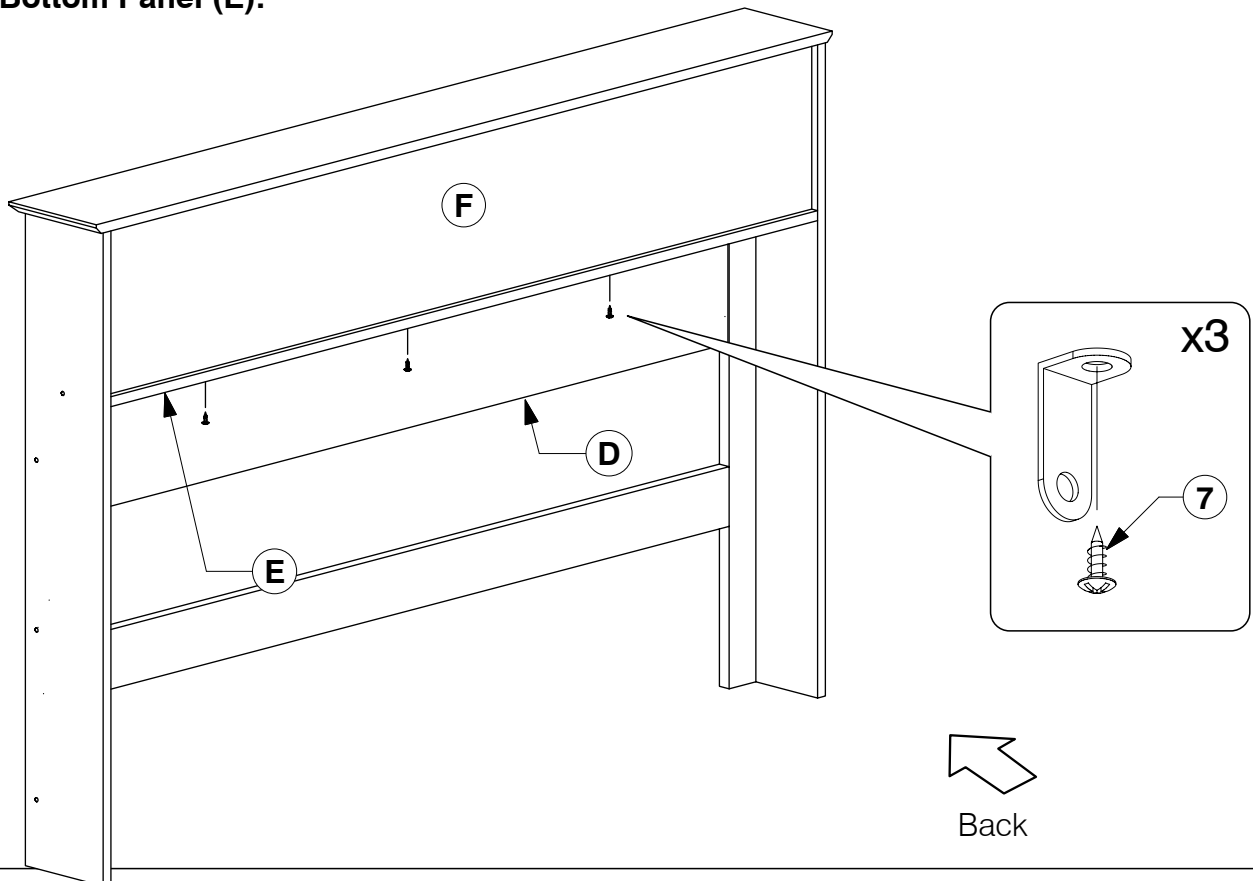
Assembly Instructions

WI-0421

12 Tighten all the Screws.



13 Fit the screw to the bottom of the Bottom Panel (E).

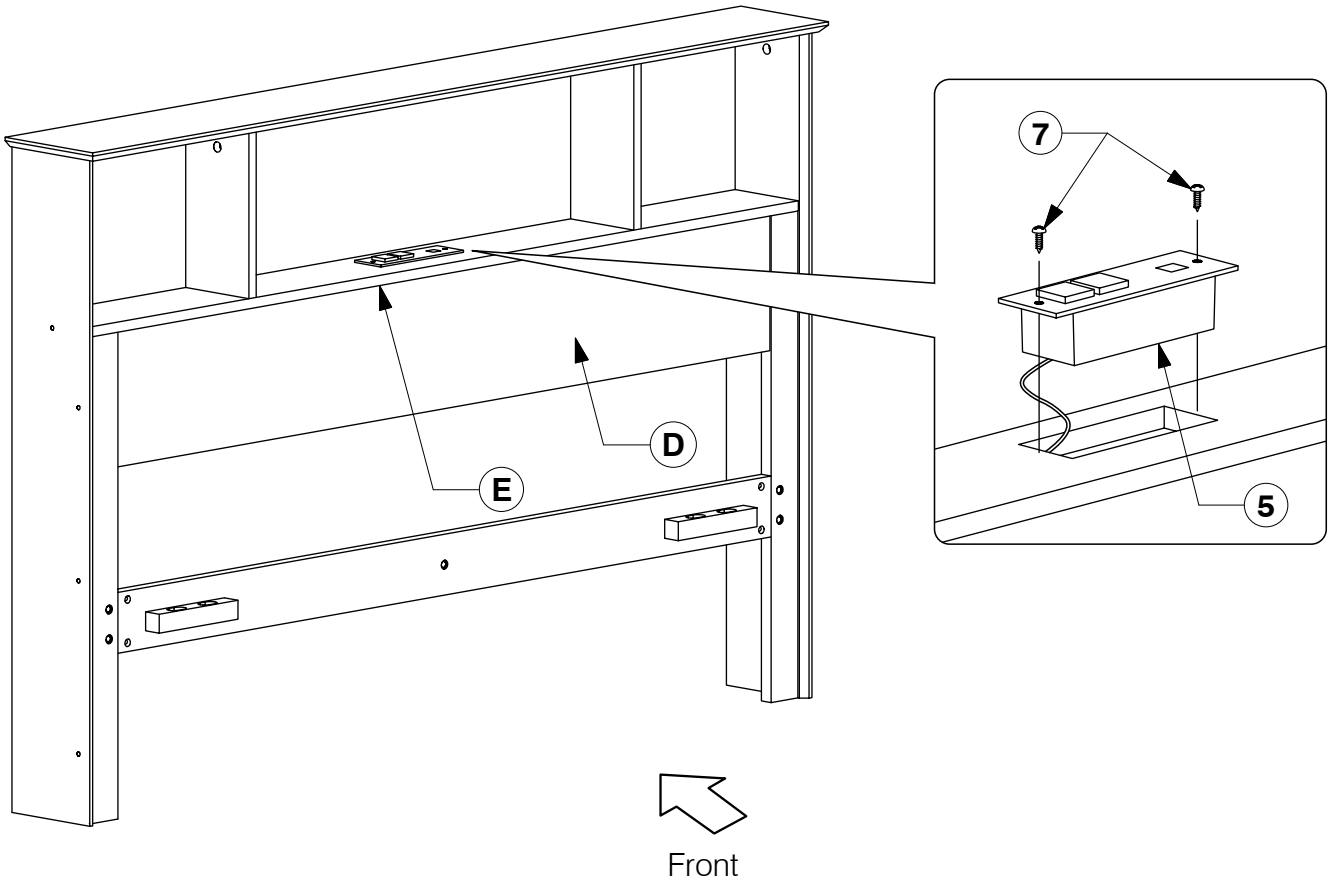


0079 S Full Bed

Assembly Instructions

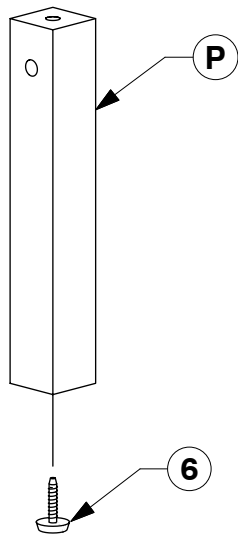
WI-0421

- 14** Fit the Plug into the cut-out holes.



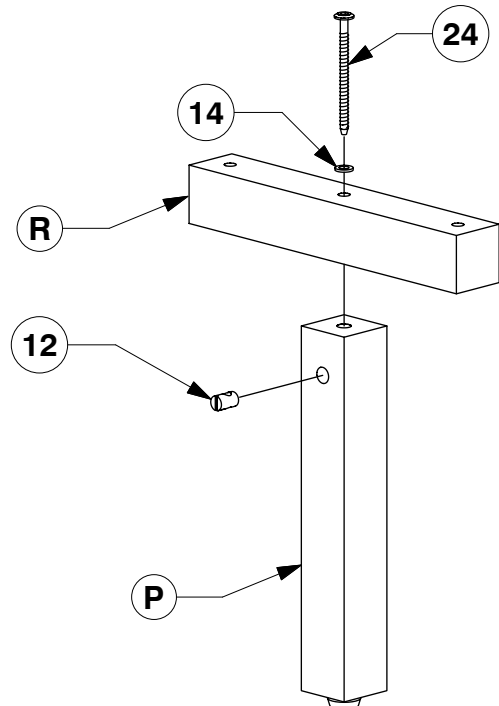
- 15** Fit the Adjustable foot to the bottom of the Support Leg (P).

x6



- 16** Fit the Support Bar (R) to the Support Leg (P).

x2



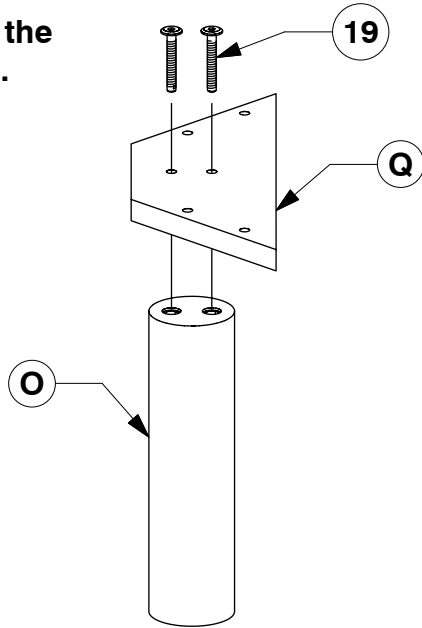
0079 S Full Bed

Assembly Instructions

WI-0421

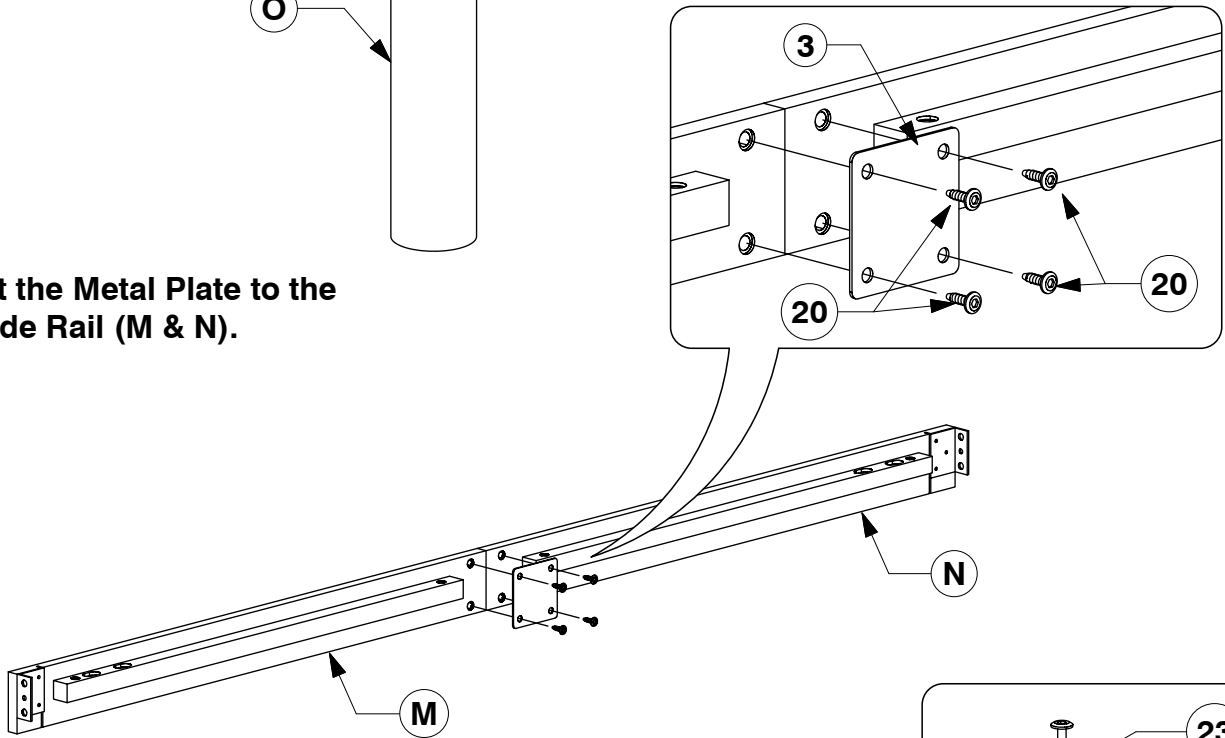
- 17** Fit the Post (O) to the Support Panel (Q).

x4



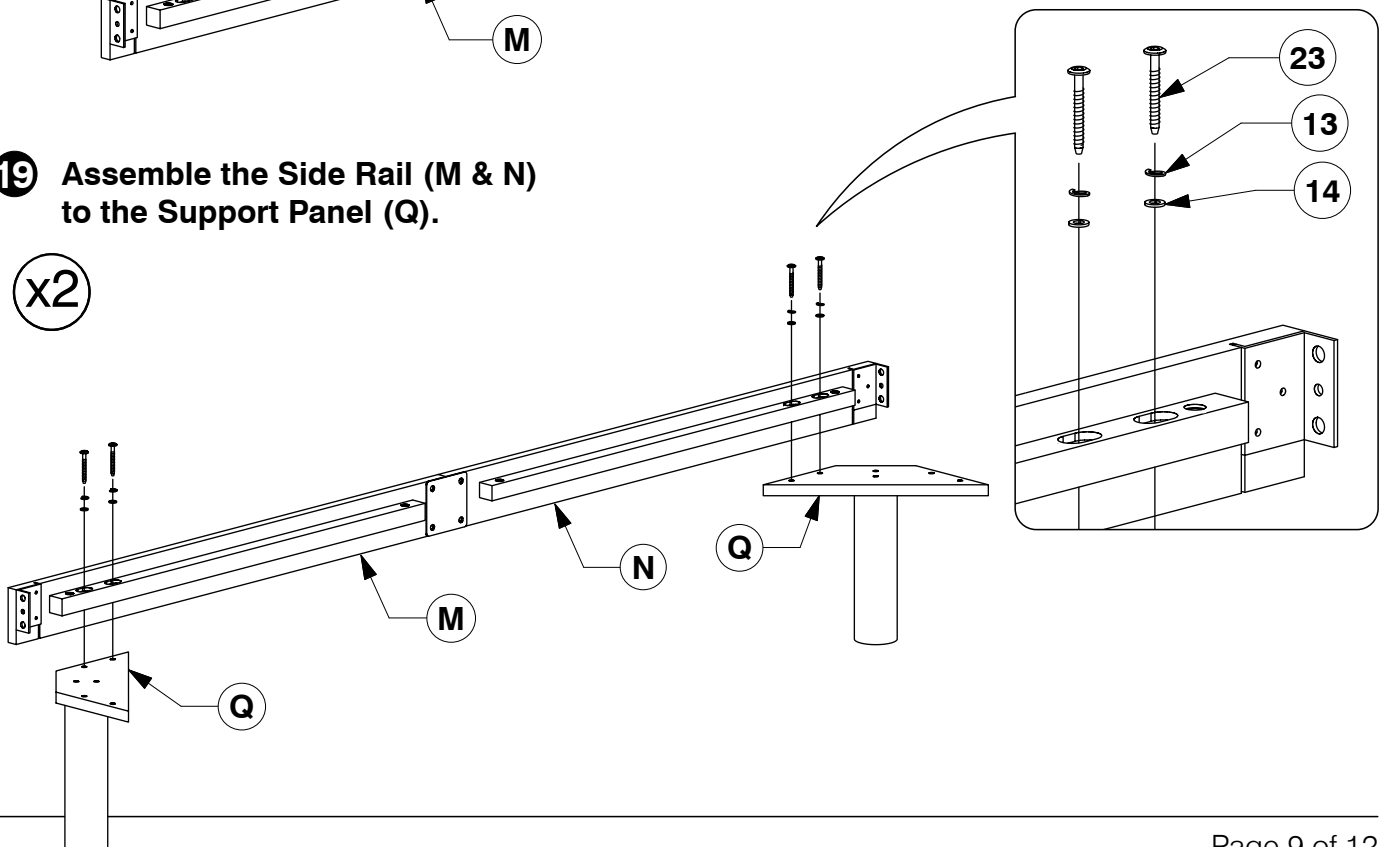
- 18** Fit the Metal Plate to the Side Rail (M & N).

x2



- 19** Assemble the Side Rail (M & N) to the Support Panel (Q).

x2

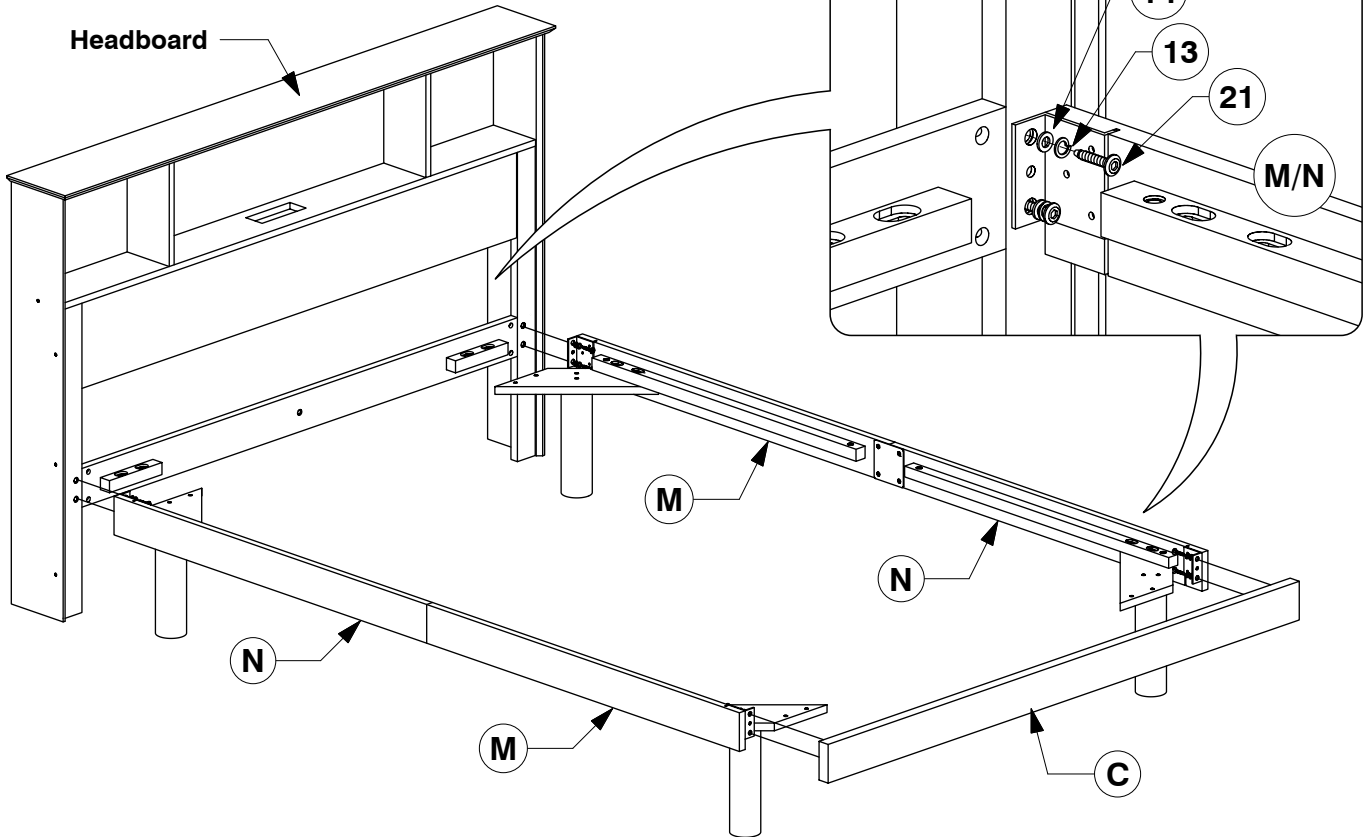


0079 S Full Bed

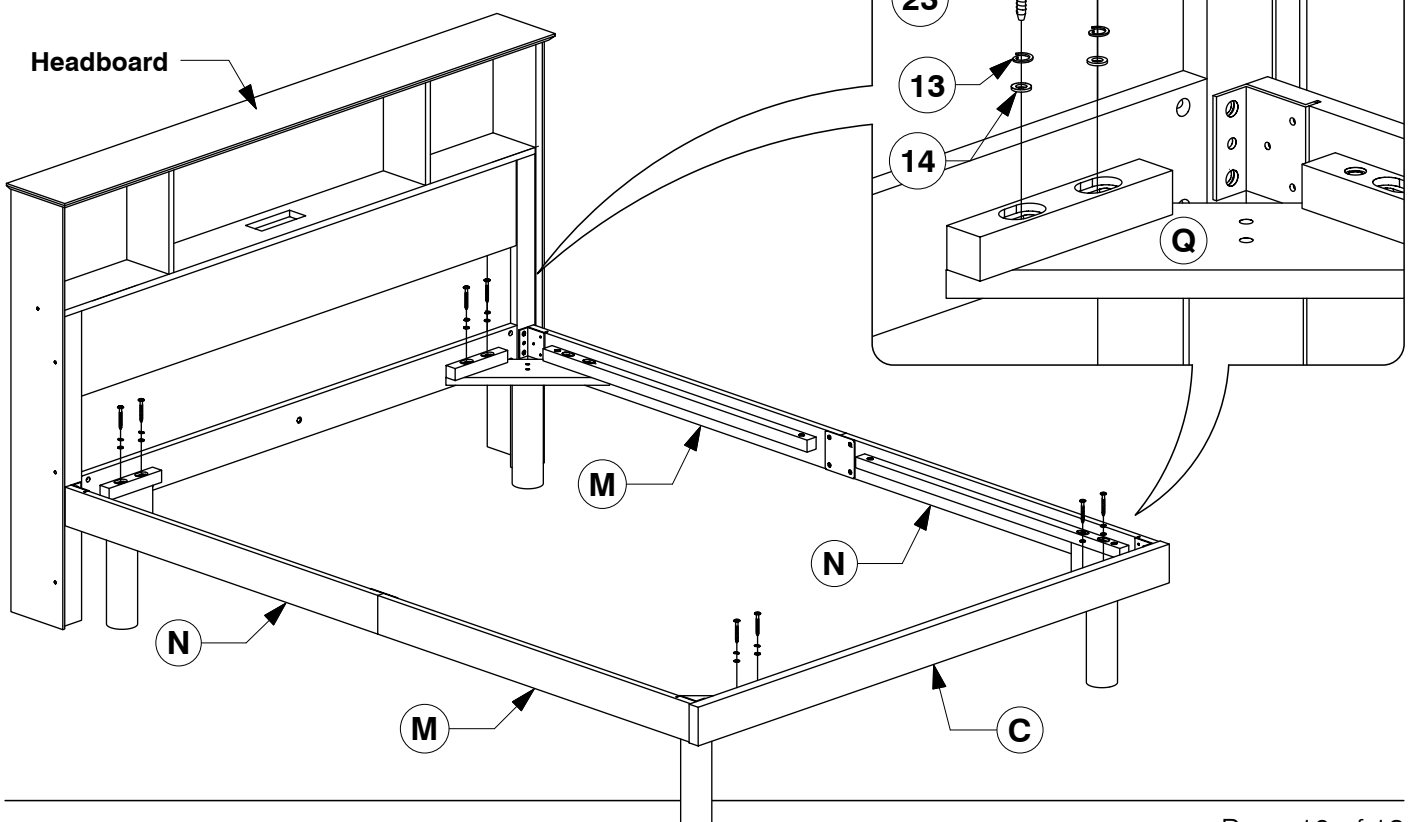
Assembly Instructions

WI-0421

20 Assemble the Side Rail (M & N) to the Headboard & Footboard.



21 Bolt the Support Panel (Q) to the Headboard & Footboard.



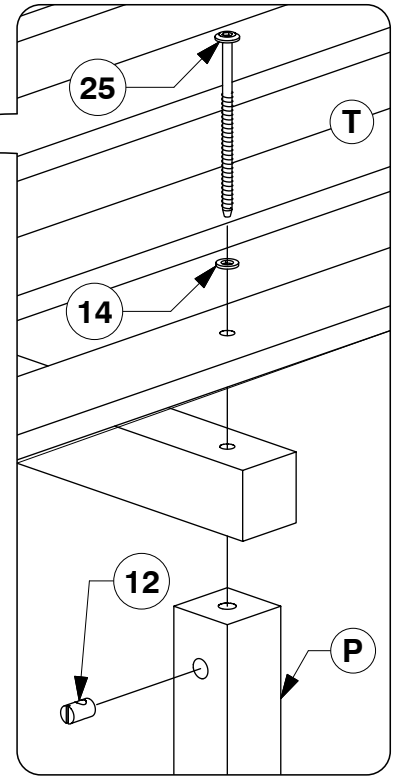
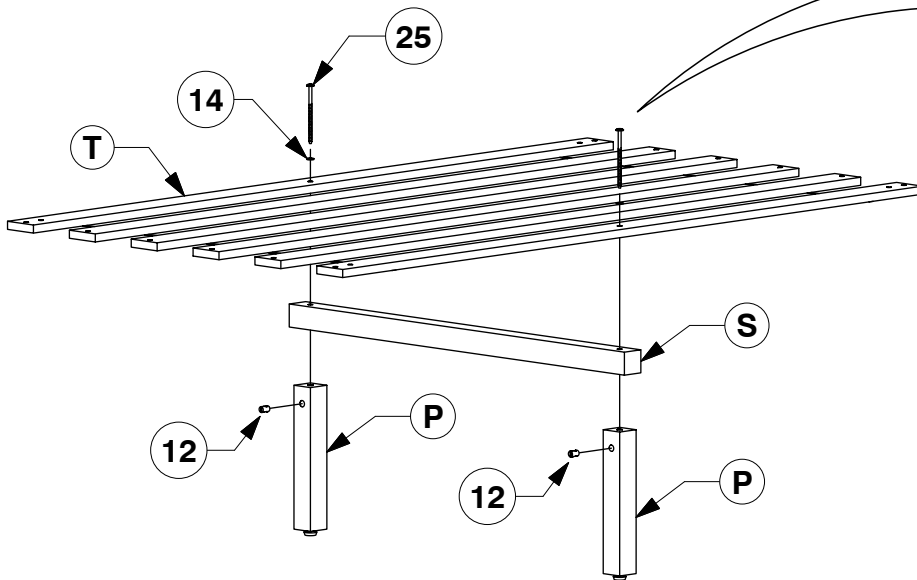
0079 S Full Bed

Assembly Instructions

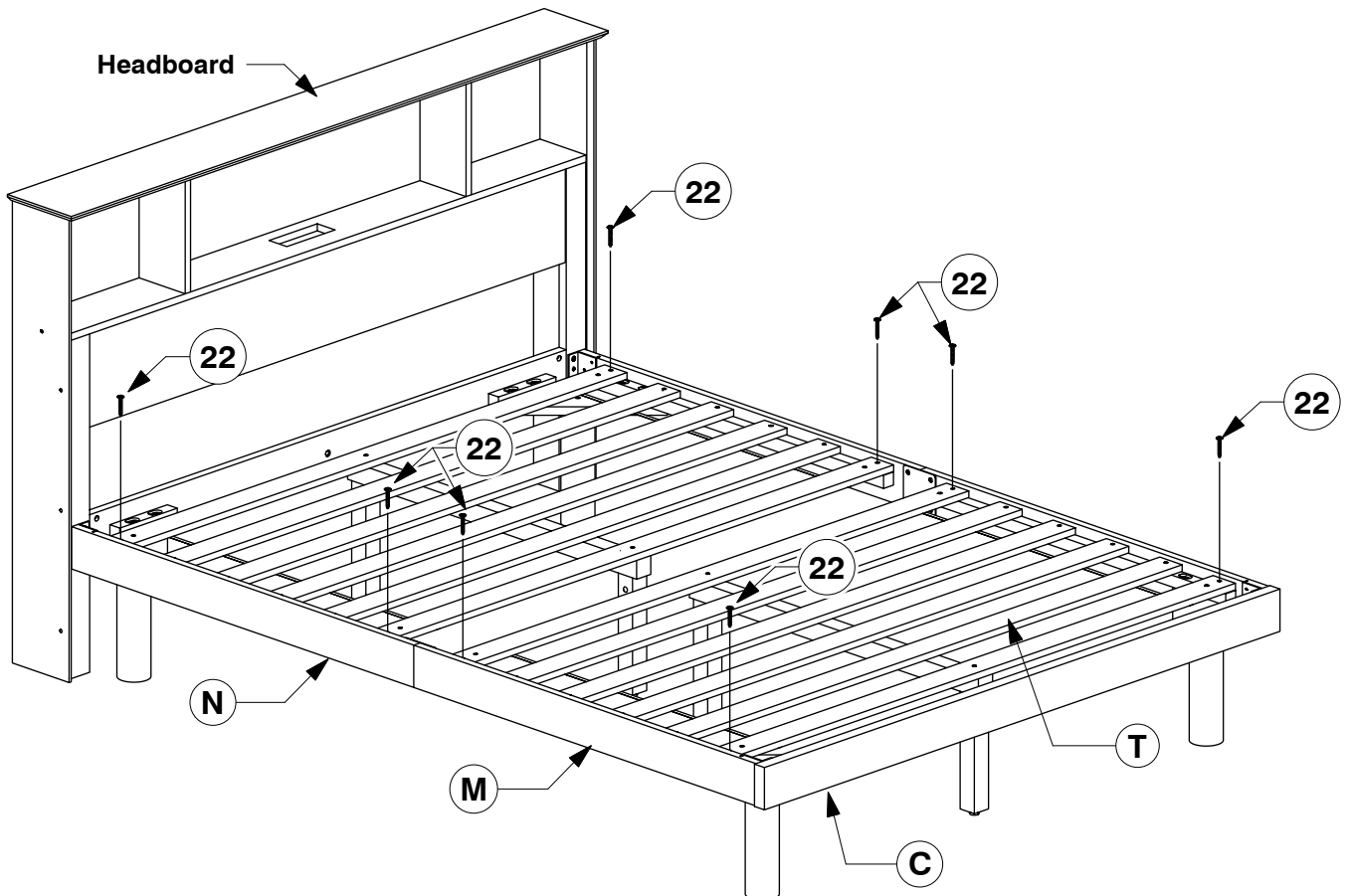
WI-0421

- 22** Fit the Slats (T) to the Long Support (S) & Support Leg (P).

x2



- 23** Bolt the Bed Slats (T) to the Side Rail (M & N).

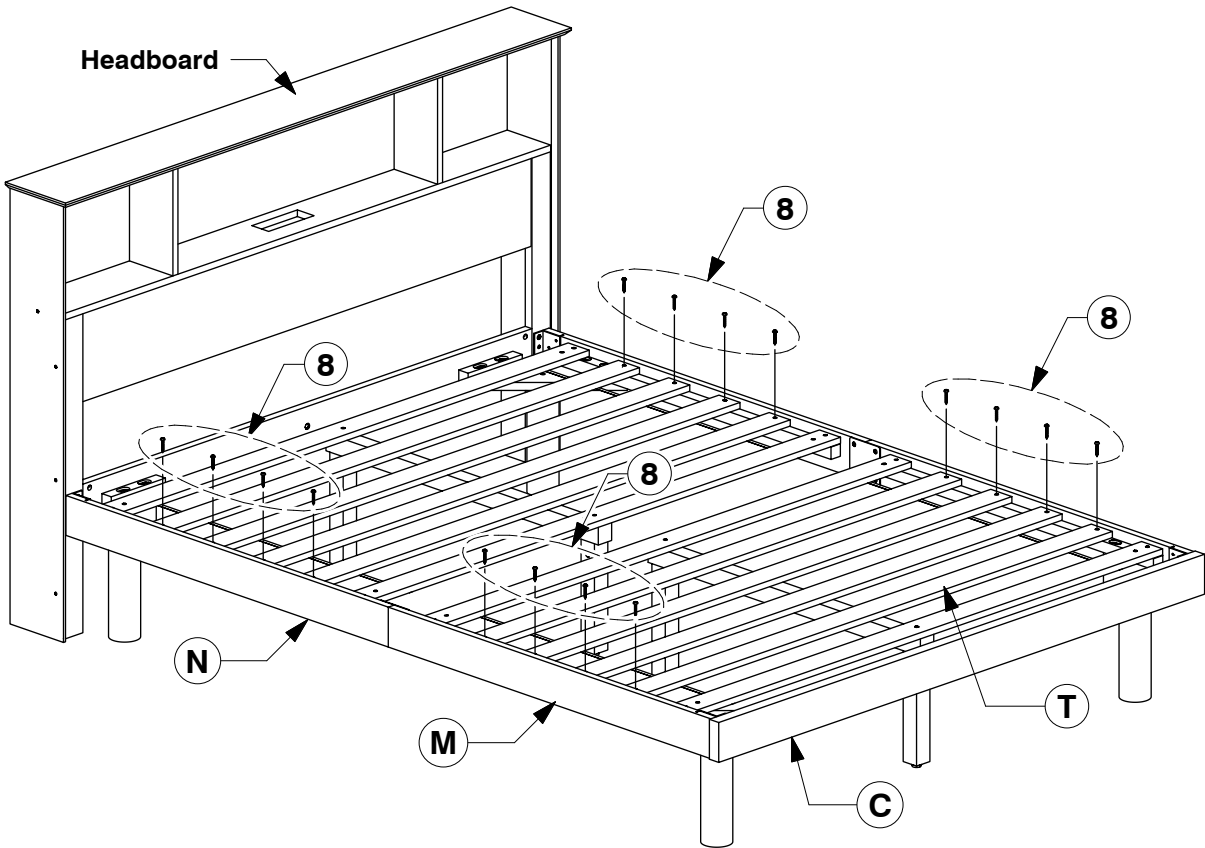


0079 S Full Bed

Assembly Instructions

WI-0421

- 24** Screw the Bed Slats (T) to the Side Rail (M & N).



- 25** Lastly, fit the Support Bar (R) in place.

