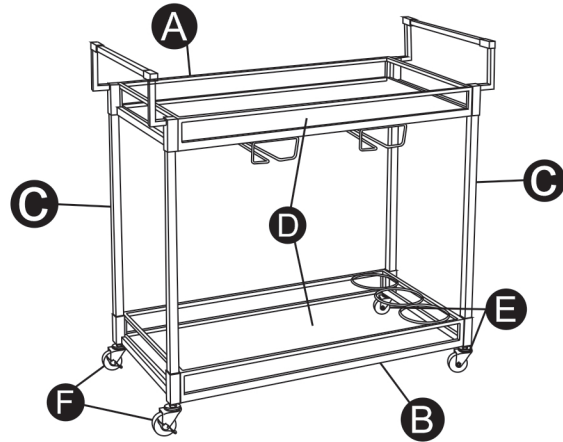
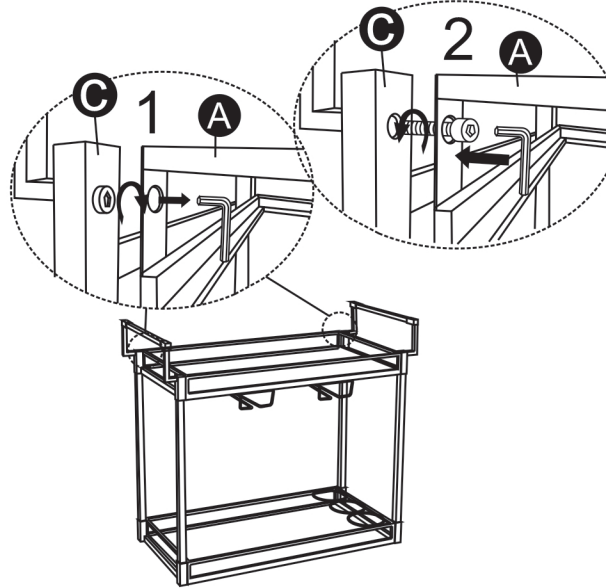


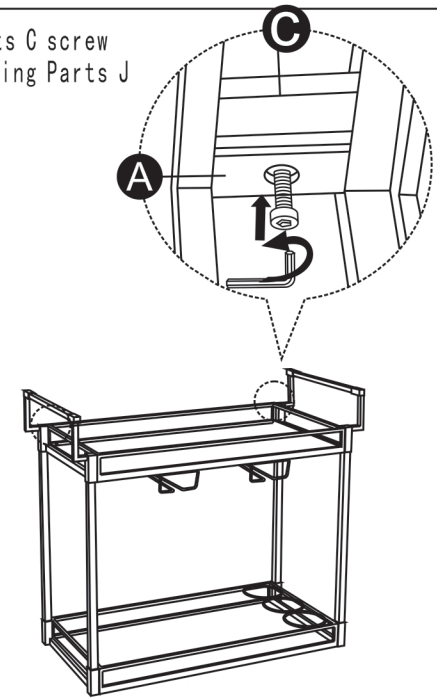
Assembly Manual



Step 1: Lay Part B with grids facing up on flat surface

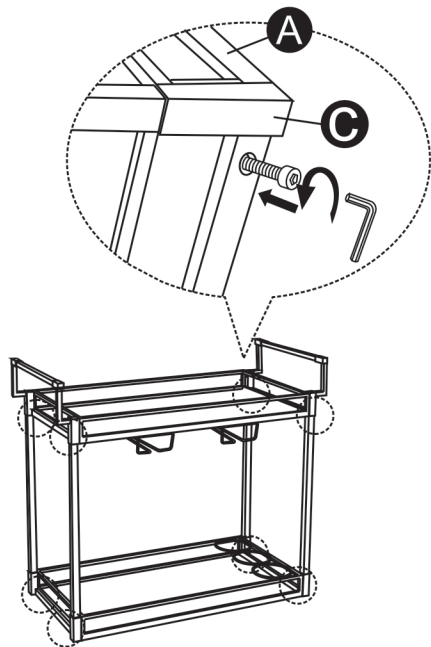


Step 2: Parts C screw to Part B using Parts J and H

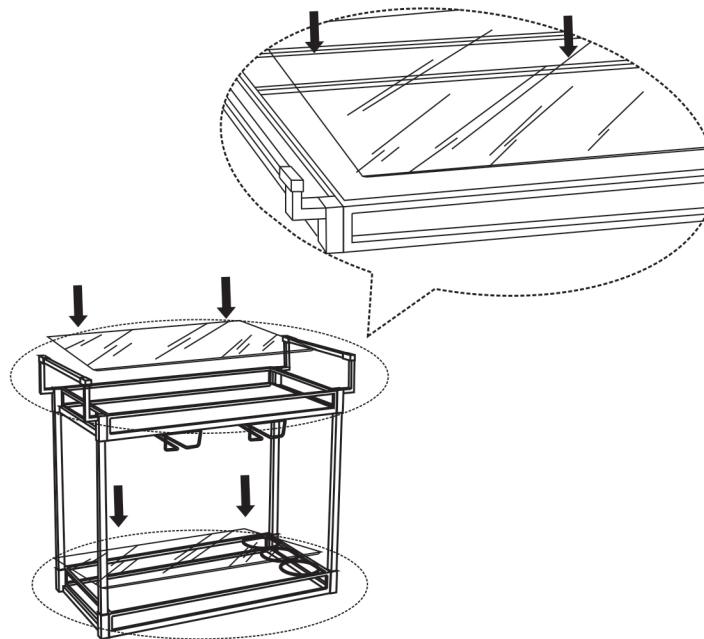


A	B	C	D	E	F	J	H
1PC	1PC	2PCS	2PCS	2PCS	2PCS	10PCS	1PC

Step 3: Parts A screw to Parts C using Parts J and Part H



Step 4: Put Parts D onto Part A and Part B



Step 5: Screw Parts E and Parts F to Part B

