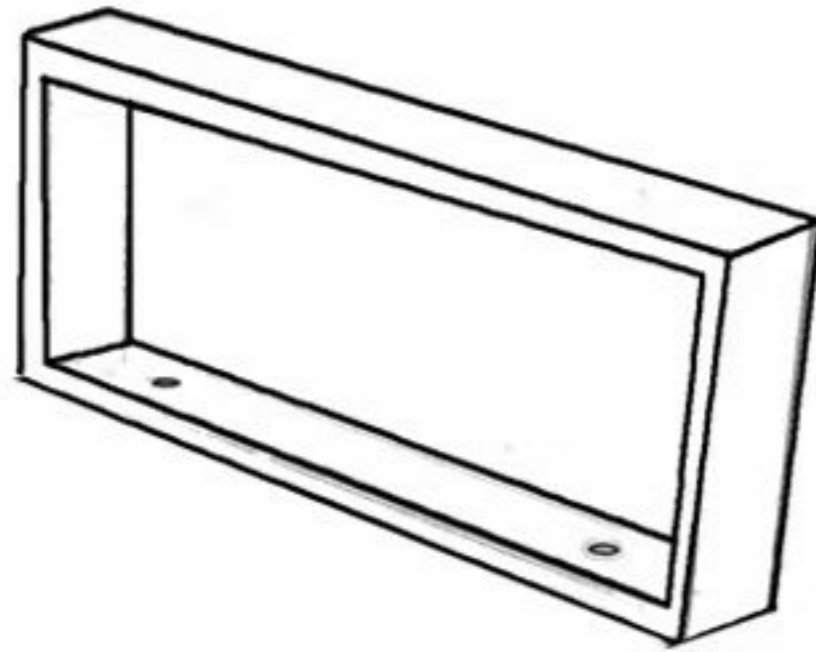


A



1PC

B



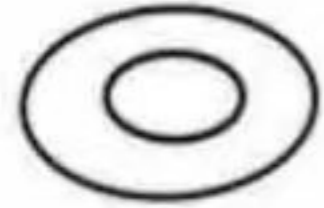
2PCS

C



4PCS

D



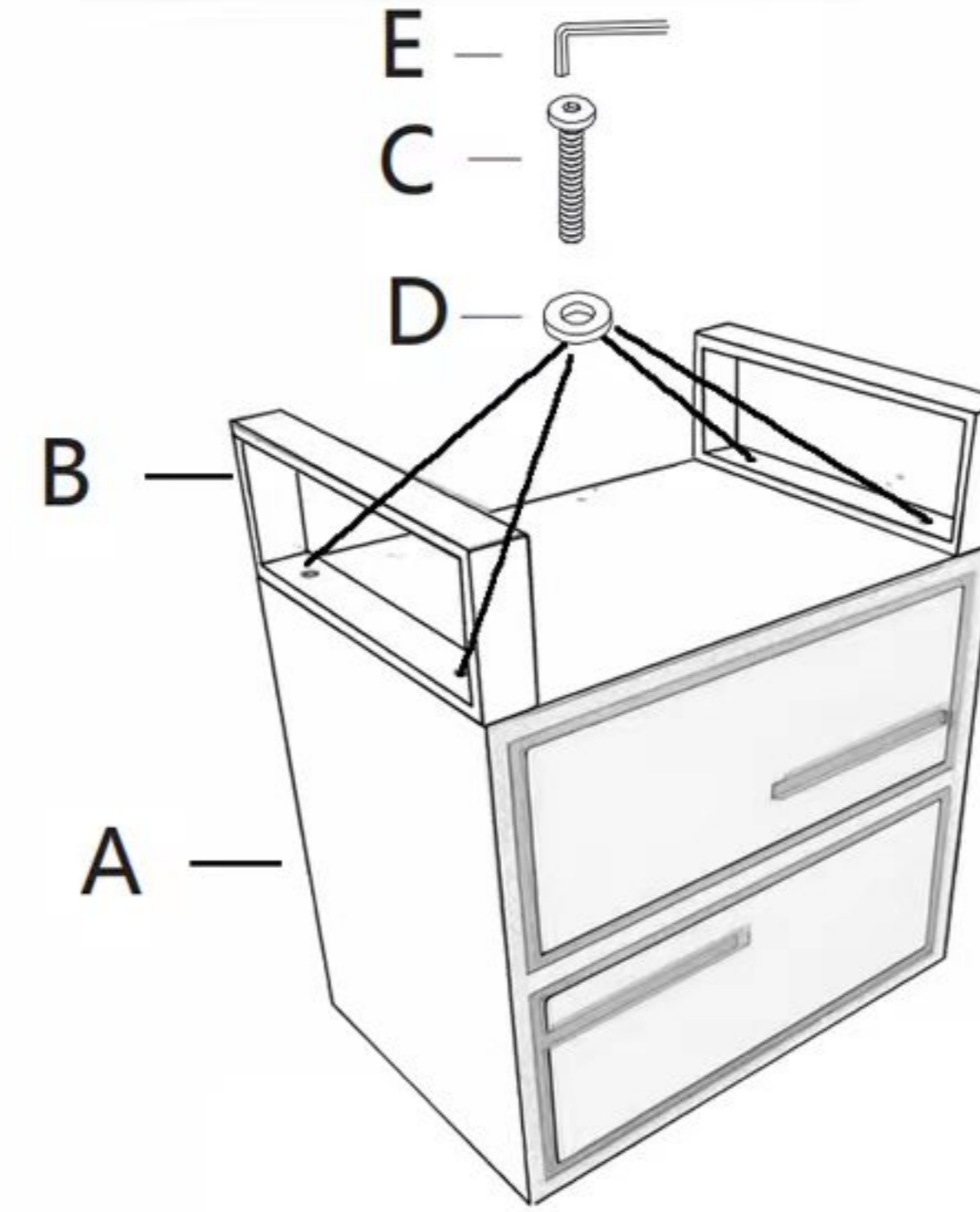
4PCS

E



1PC

Assembly Manual



step 1: Lay Part A with holes facing up on flat surface



step 2: Parts B screw to Part A using Parts C, Parts D and Part E