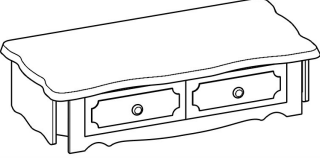
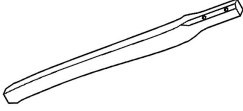



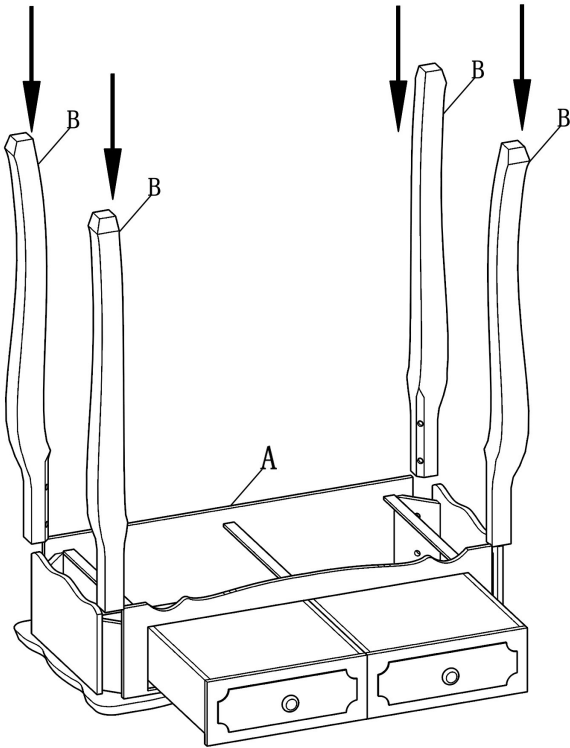


Assembly Manual

PART LIST

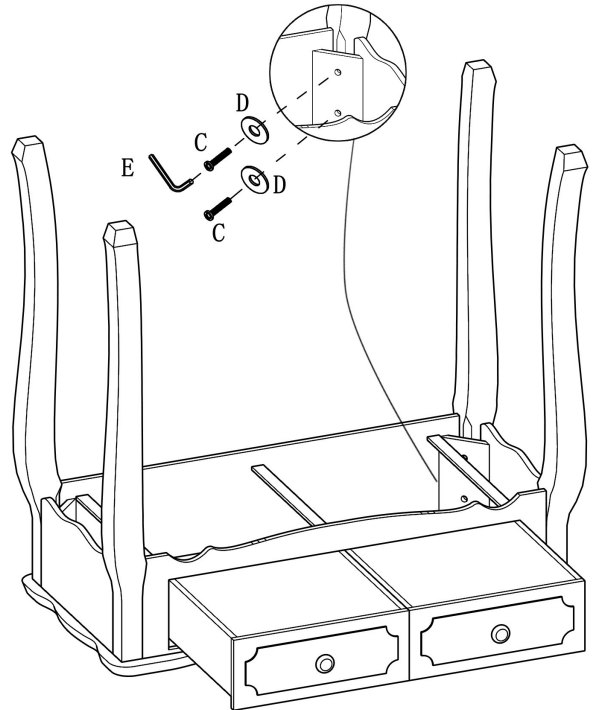
				
A	B	C	D	E
1 PC	4 PC	8 PC	8 PC	1 PC

1



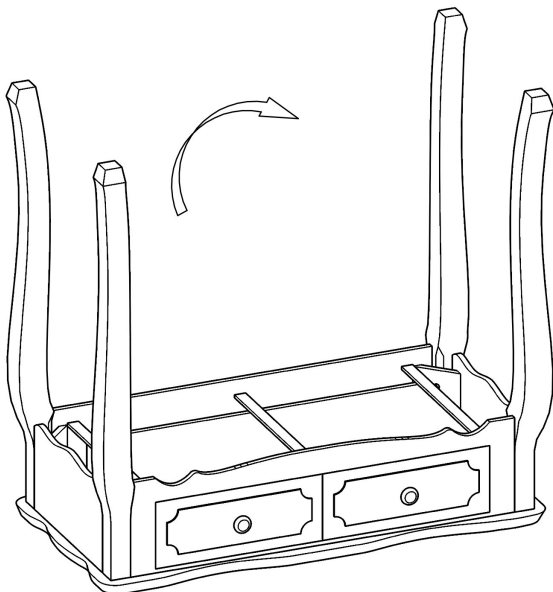
Step 1: Lay Part A with holes facing up on flat surface

2



Step 2: Parts B screw to Part A using Parts C, Parts D and Part E

3



4

