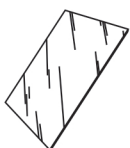
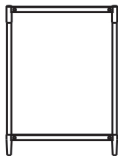
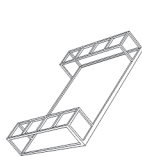
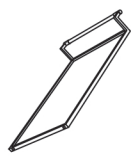
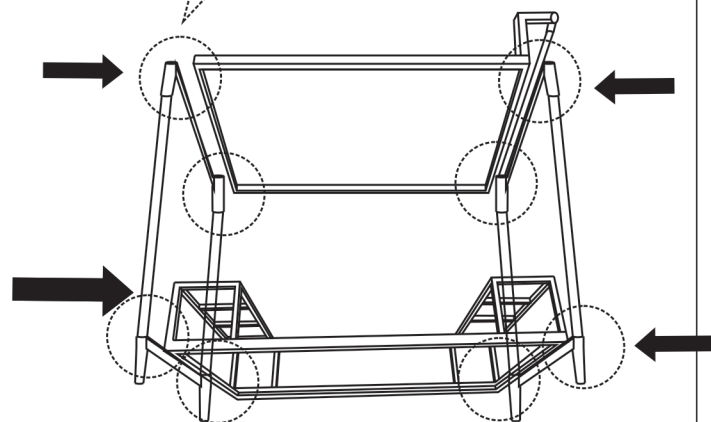
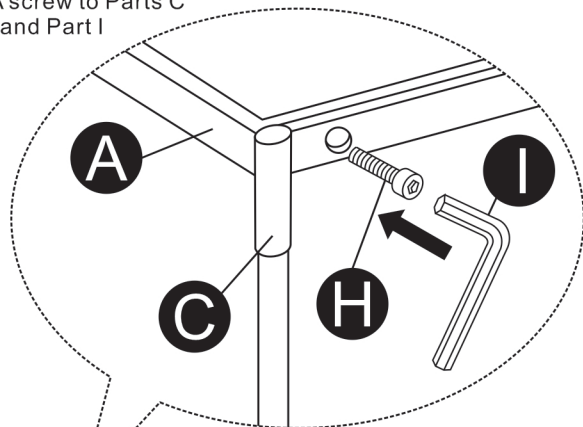
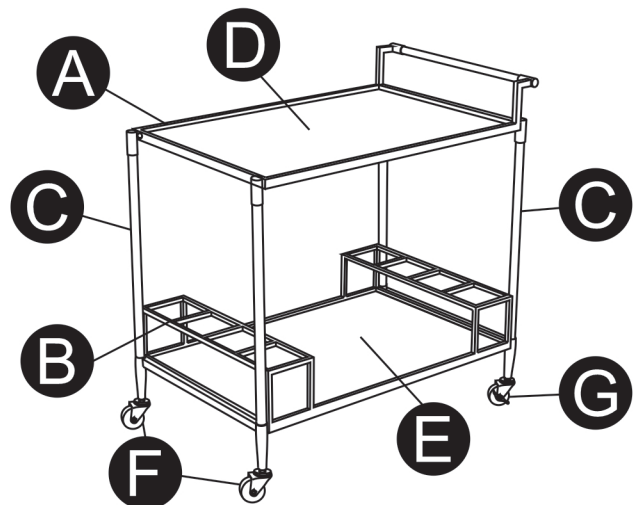


# Assembly Manual

Step 1: Lay Part B with grids facing up on flat surface

Step 2: Parts C screw to Part B using Parts H and Part I

Step 3: Parts A screw to Parts C using Parts H and Part I



A

1PC

B

1PC

C

2PC

D

1PC

E

1PC



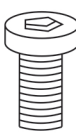
F

2PC



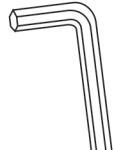
G

2PCS



H

8PCS



I

1PCS

Step 4: Put Part D onto Part A

Step 5: Put Part E onto Part B

Step 6: Screw Parts F and Parts G to Parts C

