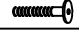
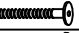
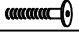



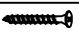





Read this instruction carefully. See hardware and furniture part list for guidance. Be sure all parts are complete, before you assemble. Place all wooden furniture parts on a clean and flat soft surface to prevent from being scratched. Follow the figure to start assembling.

**CAUTIONS :** 1. Do not FULLY - TIGHTEN the nut or nut bolt until all nut or bolt is ready assembled.  
 2. Do not OVER - TIGHTEN the nut or bolt to avoid causing damages to the thread.  
 3. Keep all hardware parts out of reach of children.

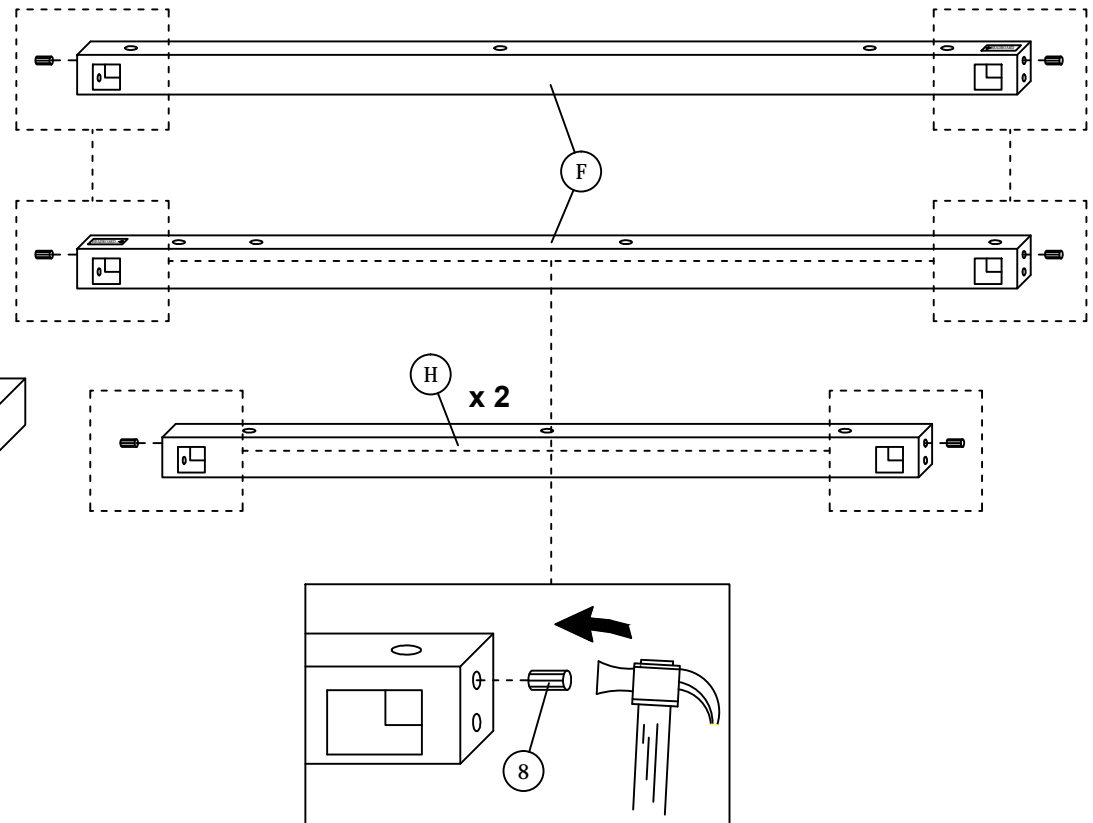
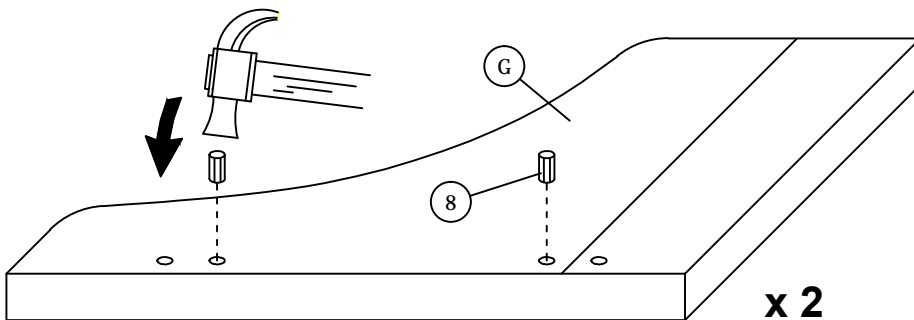
**NOTE :** THE LIST AND QUANTITY SHOWN ARE FOR 1 UNIT ASSEMBLY  
 Tool needed : Screwdriver & Hammer (not provider).

PART LIST		
ITEM	DESCRIPTION	QTY
A	HEADBOARD	1 PC
B	FOOTBOARD	1 PC
C	SIDE RAIL	2 PCS
D	SLAT	1 SET
E	BED LEG	4 PCS
F	SIDE RAIL SUPPORT WOOD	2 PCS
G	HEADBOARD WINGS (L&R)	2 PCS
H	HEADBOARD & FOOTBOARD SUPPORT WOOD	2 PCS

HARDWARE LIST		
ITEM	DESCRIPTION	QTY
1	JCBC BOLT M6 x 40mm 	8 PCS
2	JCBC BOLT M6 x 70mm 	12 PCS
3	JCBB BOLT M8 x 50mm 	8 PCS
4	M6 FLAT WASHER 	4 PCS
5	M8 FLAT WASHER 	8 PCS
6	M8 SPRING WASHER 	8 PCS
7	WOOD SCREW M4 x 38mm 	6 PCS
8	WOOD DOWEL M10 x 30mm 	12 PCS
9	M4 ALLEN KEY (BALL SHAPE) 	1 PC
10	M5 ALLEN KEY (BALL SHAPE) 	1 PC

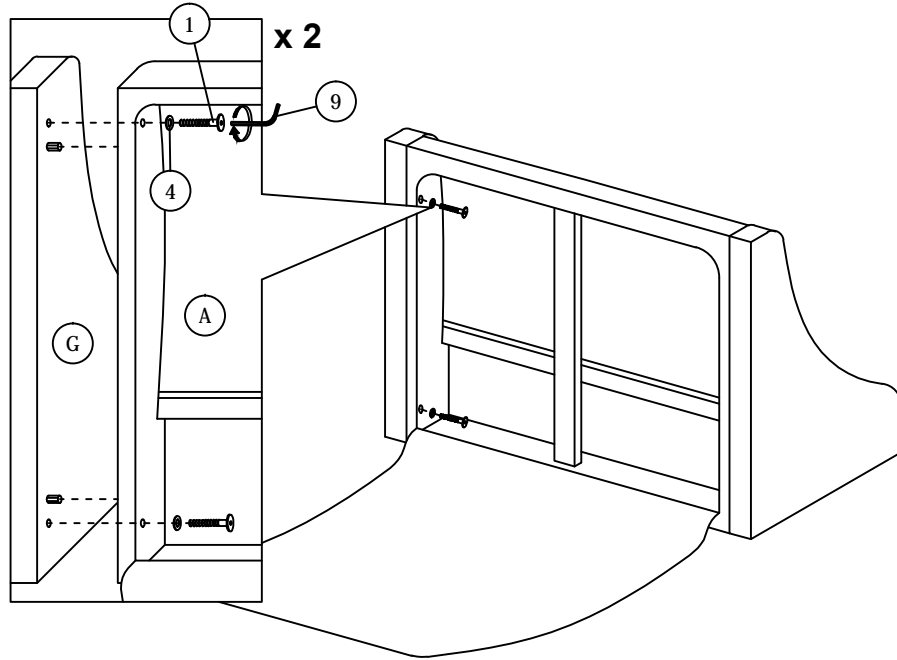
## STEP 1

1.1 Open the zip at the rear side of headboard and take out the headboard wings.

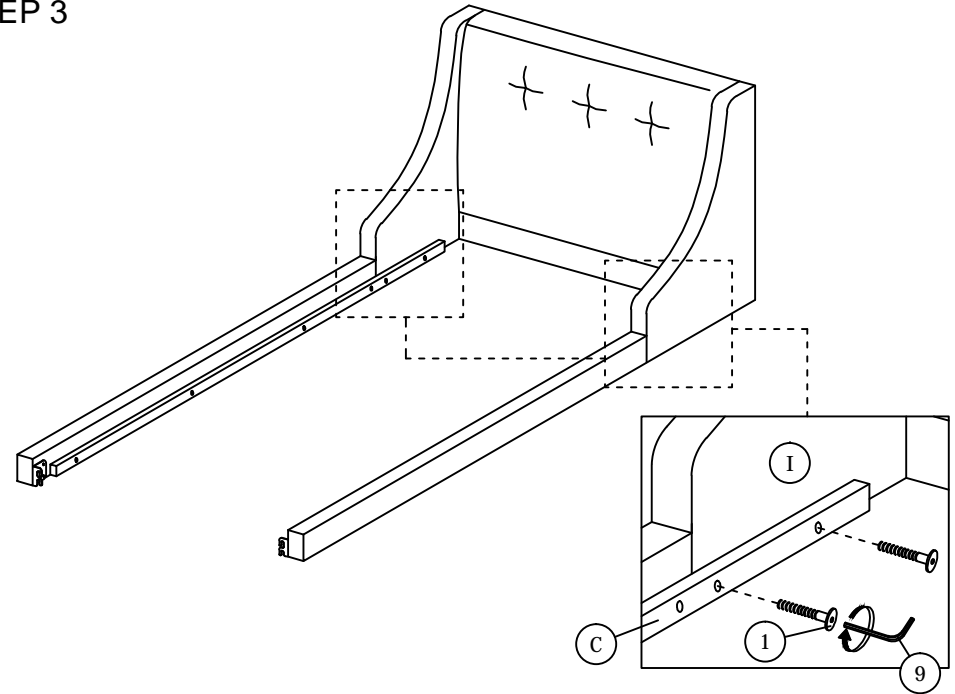


# ASSEMBLY INSTRUCTIONS

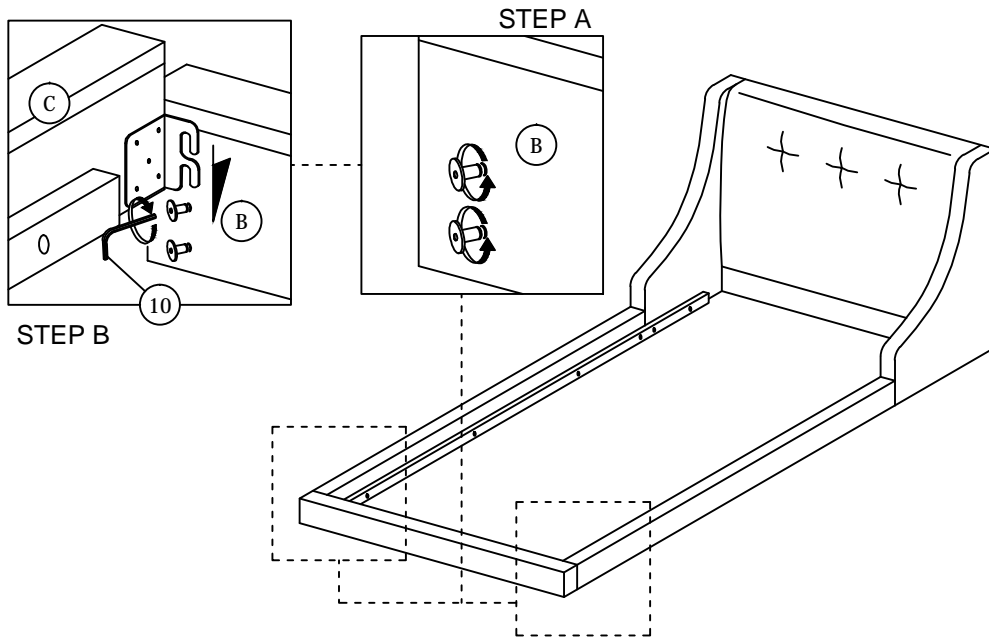
## STEP 2



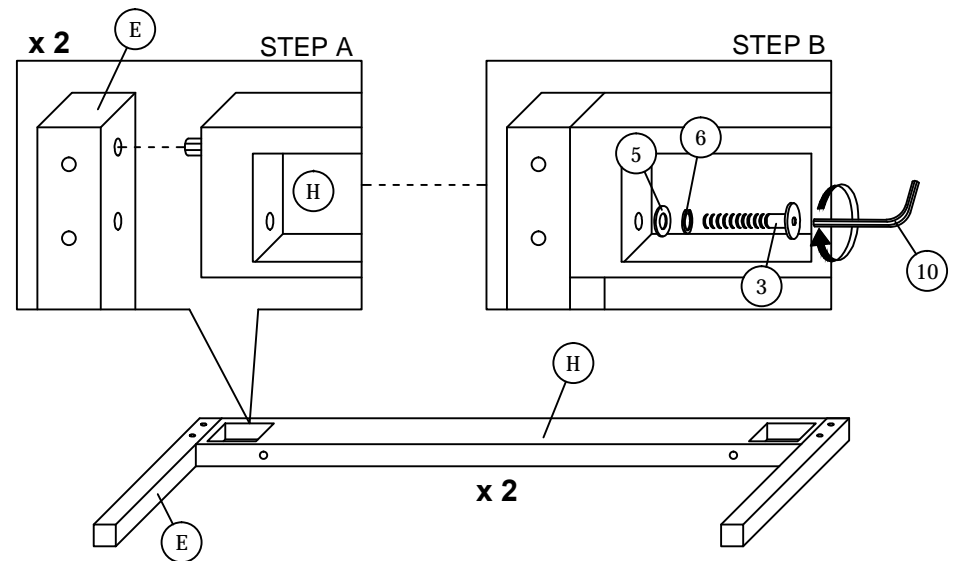
## STEP 3



## STEP 4



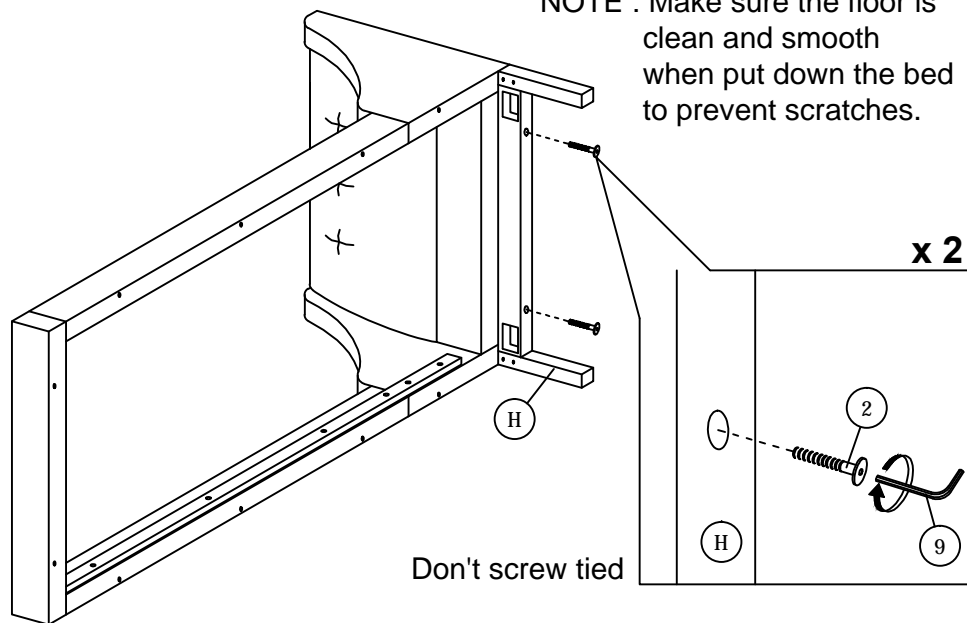
## STEP 5



# ASSEMBLY INSTRUCTIONS

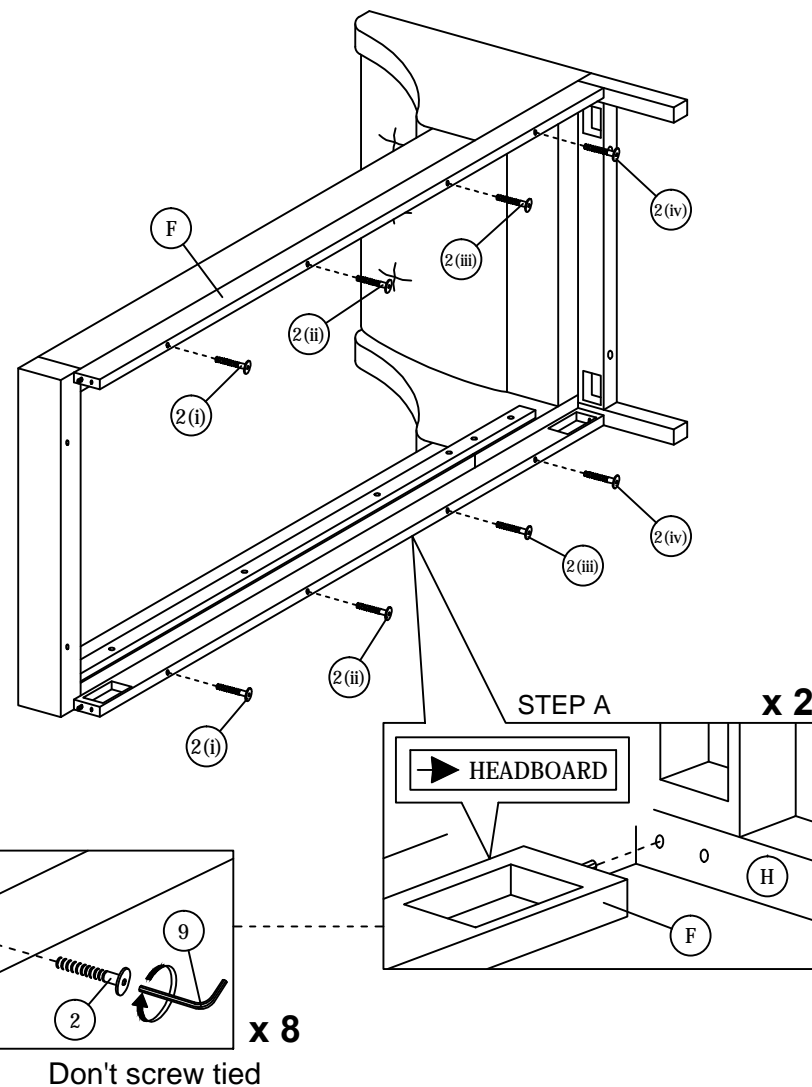
## STEP 6

NOTE : Make sure the floor is clean and smooth when put down the bed to prevent scratches.

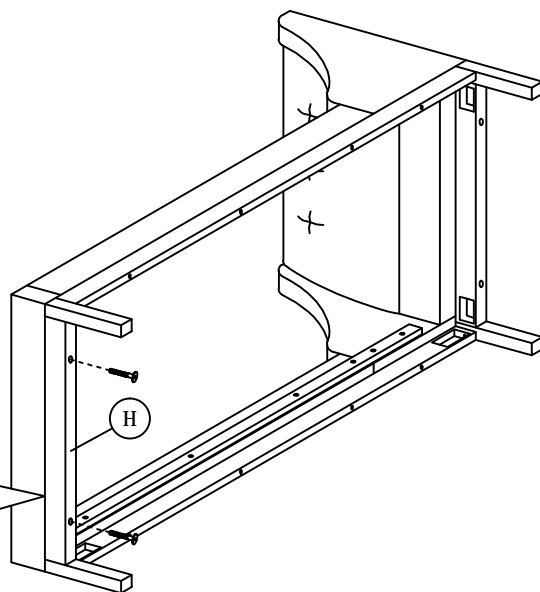
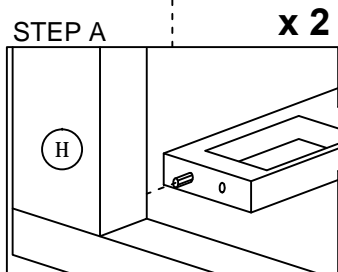
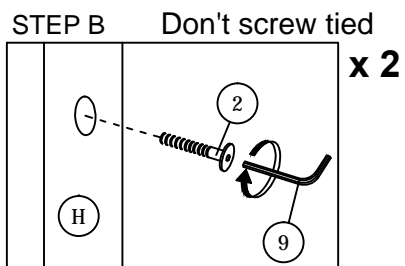


## STEP 7

NOTE : Base on the diagram show 2(i),2(ii),2(iii),2(iv) use the sequence to assembly item H.  
(Make sure the sticker "-> HEADBOARD" faced to headboard [A].)

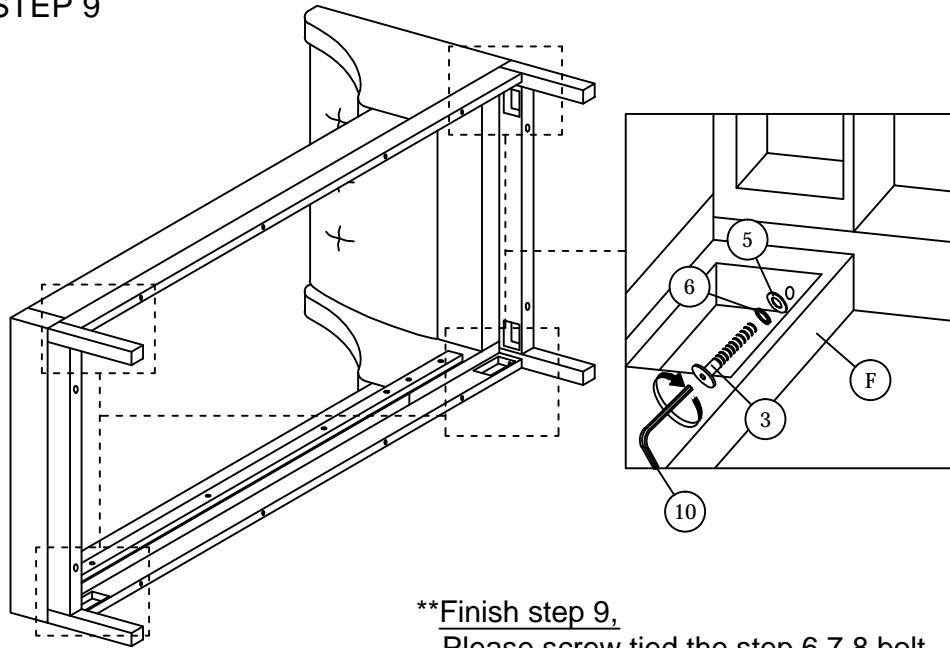


## STEP 8



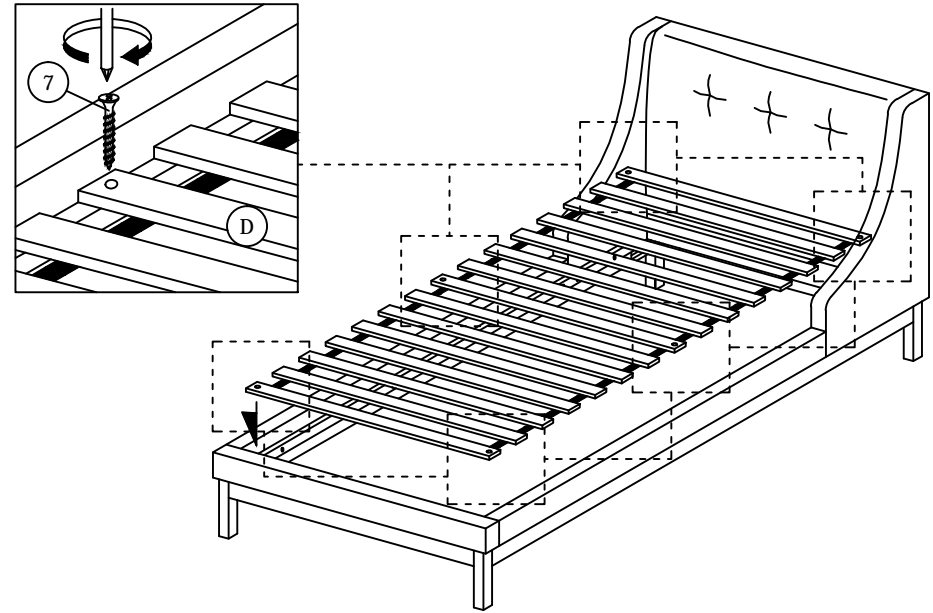
# ASSEMBLY INSTRUCTIONS

## STEP 9

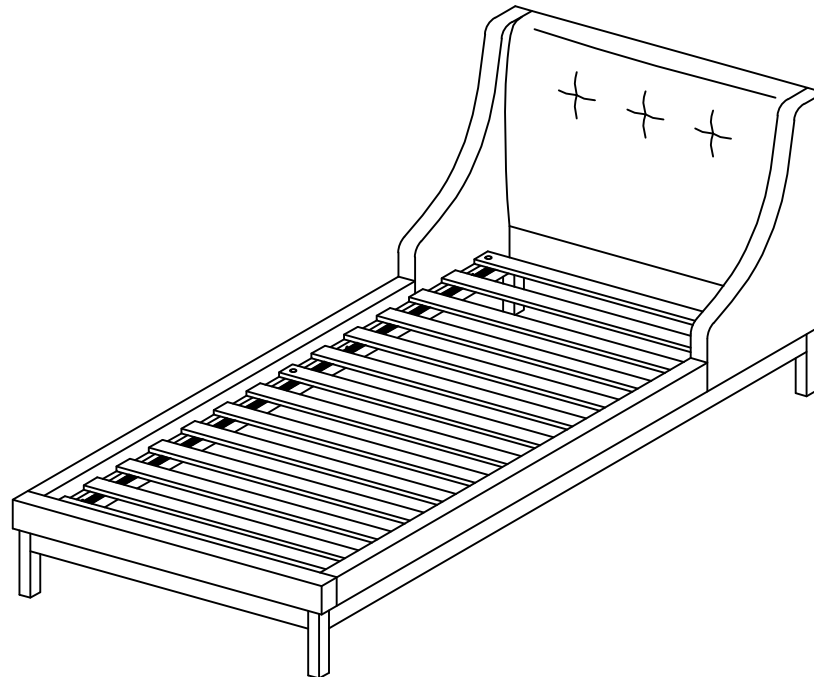


**\*\*Finish step 9,  
Please screw tied the step 6,7,8 bolt.**

## STEP 10



## STEP 11



*\* When moving the bed position, the center support legs must be adjust to be straight to avoid any broken problem.*

MODEL : BBT 3157 NIGHT STAND

# ASSEMBLY INSTRUCTIONS

Read this instruction carefully. See hardware and furniture part list for guidance. Be sure all parts are complete, before you assemble. Place all wooden furniture parts on a clean and flat soft surface to prevent from being scratched. Follow the figure to start assembling.

**CAUTIONS :** 1. Do not FULLY - TIGHTEN the nut or nut bolt until all nut or bolt is ready assemble.  
 2. Do not OVER - TIGHTEN the nut or bolt to avoid causing damages to the thread.  
 3. Keep all hardware parts out of reach of children.

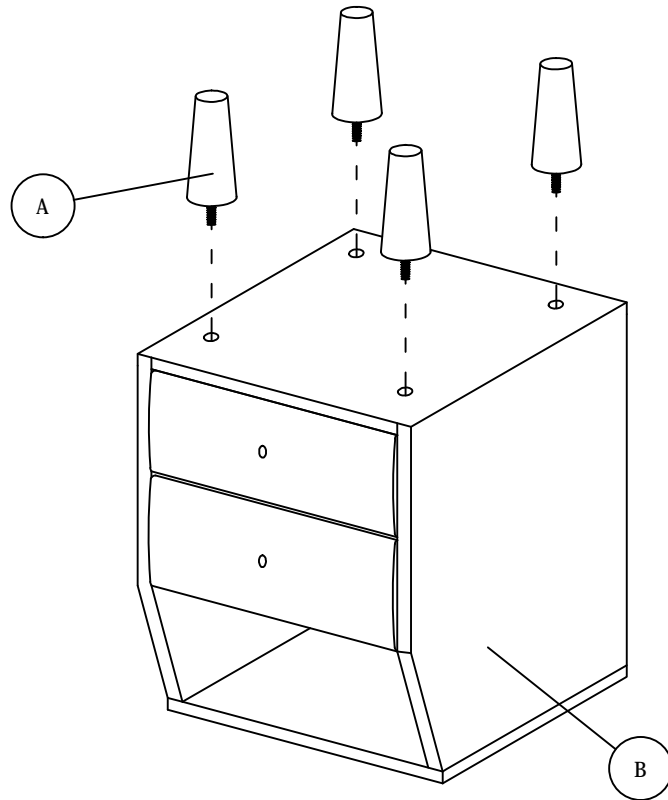
NOTE : THE LIST AND QUANTITY SHOWN ARE FOR 1 UNIT ASSEMBLY.

PART LIST		
ITEM	DESCRIPTION	QTY
A	LEGS	4 PCS
B	NIGHTSTAND	1 PC
C	HANDLE	2 PCS
D	HANDLE SCREW	2 PCS
E	FLAT WASHER	2 PCS
F	DRAWER	2 PCS

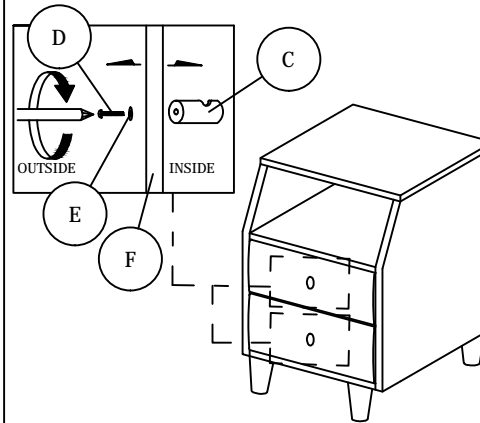
PART LIST		
ITEM	DESCRIPTION	QTY
1	-	

## STEP 1

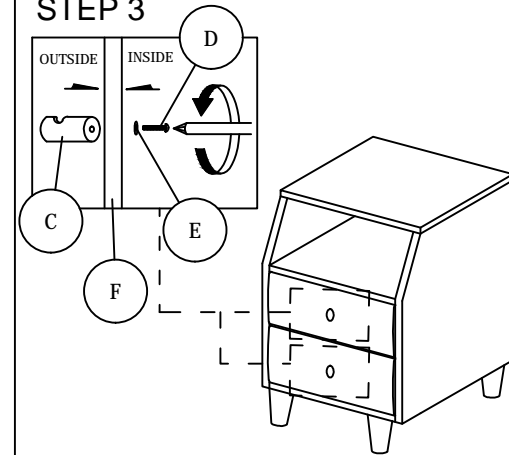
Note:  
Open the last of drawer and take out all the parts.



## STEP 2



## STEP 3



## STEP 4

