

MODEL : BBT6537 (1980 x 2070) BED

ASSEMBLY INSTRUCTIONS

Read this instruction carefully. See hardware and furniture part list for guidance. Be sure all parts are complete, before you assemble. Place all wooden furniture parts on a clean and flat soft surface to prevent from being scratched. Follow the figure to start assembling.

- CAUTIONS :**
1. Do not FULLY - TIGHTEN the nut or nut bolt until all nut or bolt is ready assembled.
 2. Do not OVER - TIGHTEN the nut or bolt to avoid causing damages to the thread.
 3. Keep all hardware parts out of reach of children.

NOTE : THE LIST AND QUANTITY SHOWN ARE FOR 1 UNIT ASSEMBLY.

PART LIST		
ITEM	DESCRIPTION	QTY
A	HEADBOARD	1 PC
B	FOOTBOARD	1 PC
C	SIDE RAIL	2 PCS
D	CENTER RAIL	2 PCS
E	CENTER SUPPORT	3 PCS
F	CENTER SUPPORT LEG	6 PCS
G	BED SLAT	39 PCS
H	BED LEG	4 PCS

PART LIST		
ITEM	DESCRIPTION	QTY
1	JCBC BOLT M6 x 20mm	8 PCS
2	JCBB BOLT M8 x 30mm	8 PCS
3	WOOD SCREW M3.5 x 16mm	12 PCS
4	WOOD SCREW M4 x 25mm	8 PCS
5	M6 FLAT WASHER	8 PCS
6	M6 SPRING WASHER	8 PCS
7	BED SLAT SIDE FITTER	26 PCS
8	BED SLAT CENTER FITTER	26 PCS
9	M4 ALLEN KEY	1 PC
10	M5 ALLEN KEY	1 PC

STEP 1

STEP 2

STEP 3

STEP 4

STEP 5

* When moving the bed position, the center support legs must adjust to be straight to avoid any broken problem.

Read this instruction carefully. See hardware and furniture part list for guidance. Be sure all parts are complete, before you assemble. Place all wooden furniture parts on a clean and flat soft surface to prevent from being scratched. Follow the figure to start assembling.

CAUTIONS : 1. Do not FULLY - TIGHTEN the nut or nut bolt until all nut or bolt is ready assemble.
 2. Do not OVER - TIGHTEN the nut or bolt to avoid causing damages to the thread.
 3. Keep all hardware parts out of reach of children.

NOTE : THE LIST AND QUANTITY SHOWN ARE FOR 1 UNIT ASSEMBLY.

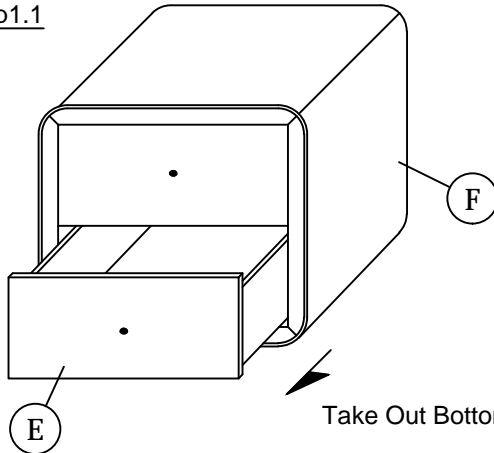
Tool needed : Screwdriver (not provider).

PART LIST		
ITEM	DESCRIPTION	QTY
A	LEGS	4 PCS
B	HANDLE	6 PCS
C	HANDLE SCREW	12 PCS
D	FLAT WASHER	12 PCS
E	DRAWER	6 PCS
F	NIGHTSTAND	1 PC

HARDWARE LIST		
ITEM	DESCRIPTION	QTY
1	5/16" Hex Nut 	4 PCS
2	M8 Flat Washer 	4 PCS
3	M8 Spring Washer 	4 PCS
4	Spanner (13mm) 	1 PC

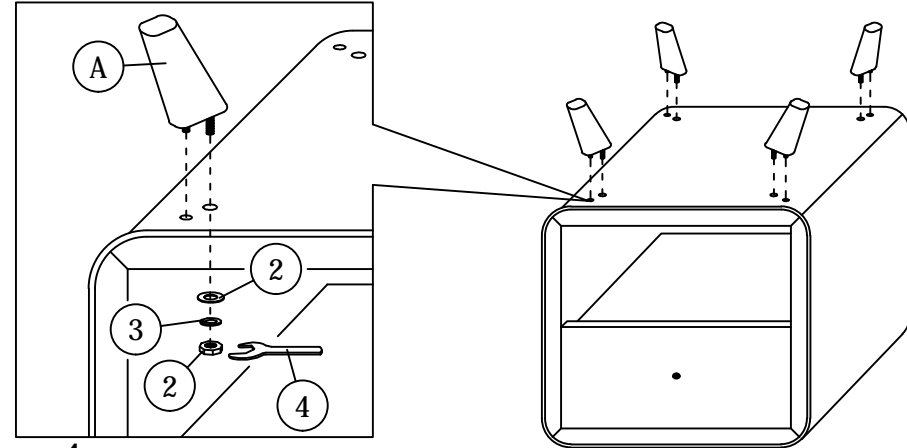
STEP 1

Step1.1



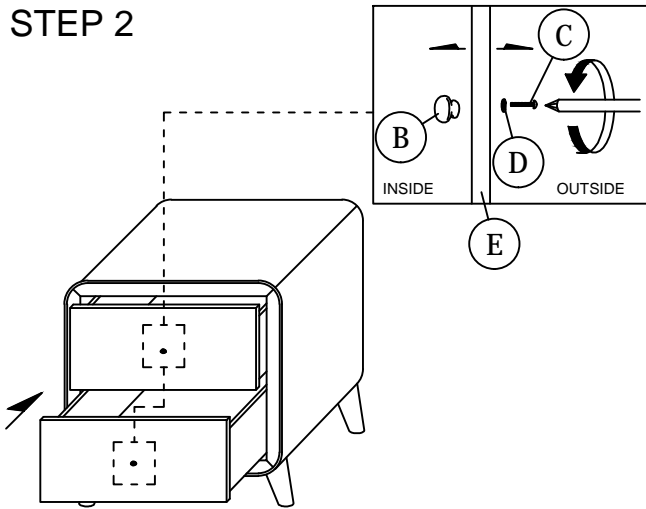
Take Out Bottom Drawer

Step1.2



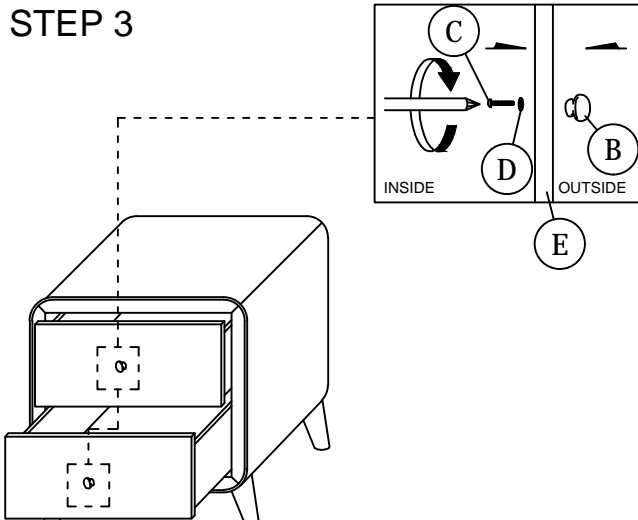
x 4 Inverse the night stand as picture shown and assemble the leg.

STEP 2



Put the bottom drawer into frame

STEP 3



STEP 4

