

Read this instruction carefully. See hardware and furniture part list for guidance. Be sure all parts are complete, before you assemble. Place all wooden furniture parts on a clean and flat soft surface to prevent from being scratched. Follow the figure to start assembling.

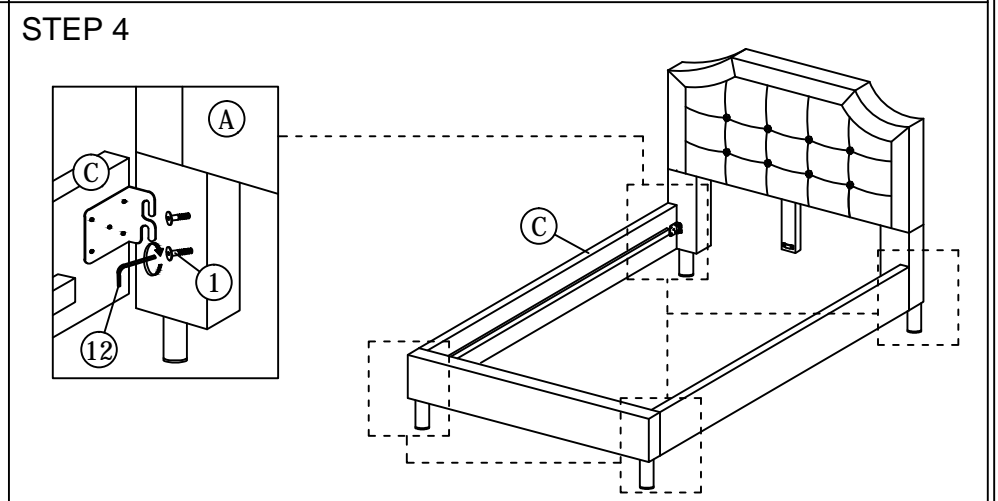
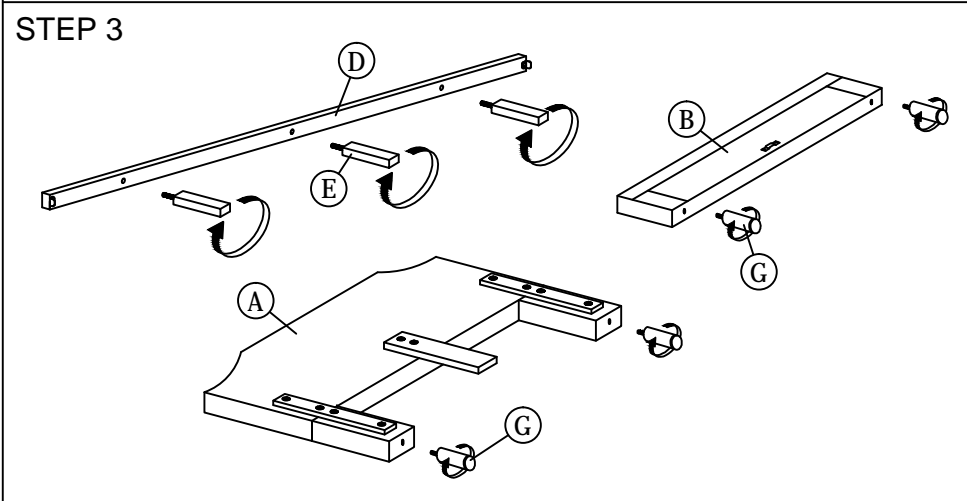
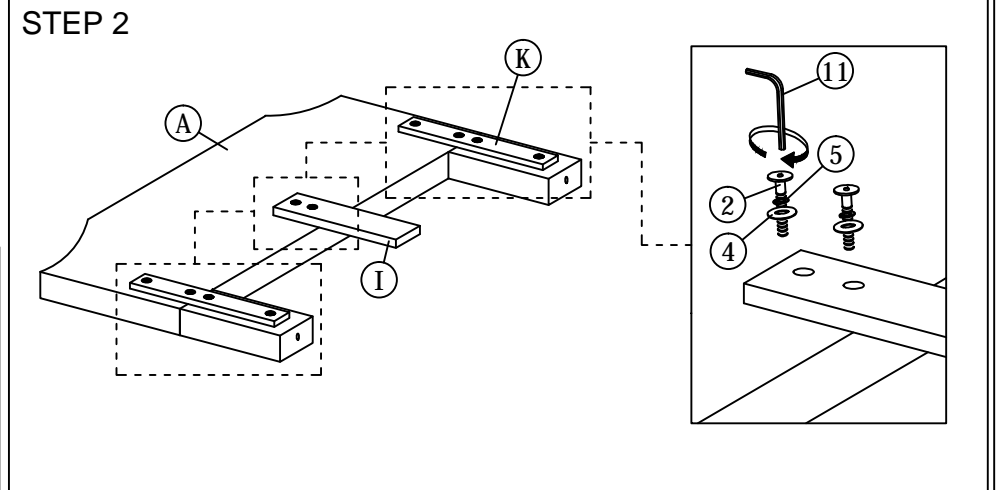
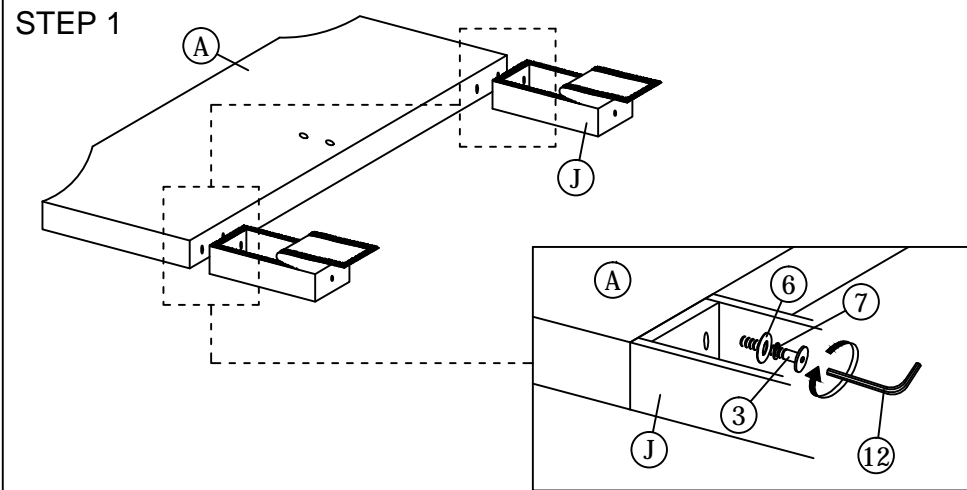
CAUTIONS : 1. Do not FULLY - TIGHTEN the nut or nut bolt until all nut or bolt is ready assembly.
 2. Do not OVER - TIGHTEN the nut or bolt to avoid causing damages to the thread.
 3. Keep all hardware parts out of reach of children.

NOTE : THE LIST AND QUANTITY SHOWN ARE FOR 1 UNIT ASSEMBLY.

Tool needed : Screwdriver (not provider).

PART LIST		
ITEM	DESCRIPTION	QTY
A	HEADBOARD	1 PC
B	FOOTBOARD	1 PC
C	SIDE RAIL	2 PCS
D	CENTER RAIL	1 PC
E	CENTER SUPPORT LEG	3 PCS
F	BED SLAT	24 PCS
G	BED LEG	4 PCS
H	CENTER SUPPORT	2 PCS
I	HEADBOARD SUPPORT RAIL	1 PC
J	HEADBOARD BOX (L/R)	2 PCS
K	HEADBOARD SUPPORT WOOD	2 PCS

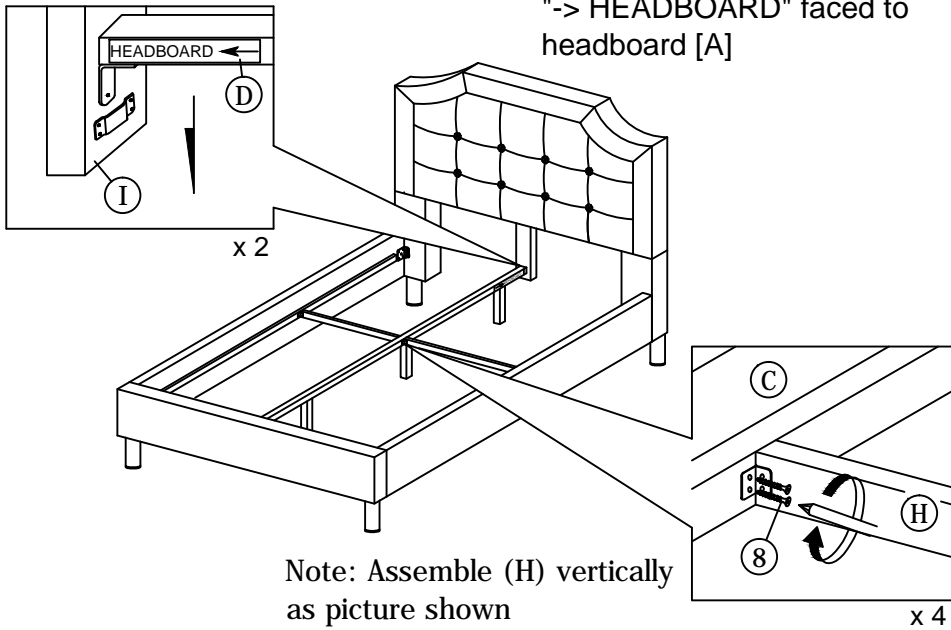
HARDWARE LIST		
ITEM	DESCRIPTION	QTY
1	JCBB BOLT M8 x 30mm	8 PCS
2	JCBC BOLT M6 x 40mm	10 PCS
3	JCBB BOLT M8 x 80mm	4 PCS
4	M6 Flat Washer	10 PCS
5	M6 Spring Washer	10 PCS
6	M8 Flat Washer	4 PCS
7	M8 Spring Washer	4 PCS
8	WOOD SCREW M3.5 x 16mm	8 PCS
9	BED SLAT SIDE FITTER	24 PCS
10	BED SLAT CENTER FITTER	12 PCS
11	M4 ALLEN KEY (BALL SHAPE)	1 PC
12	M5 ALLEN KEY (BALL SHAPE)	1 PC
13	WOOD SCREW M4 x 20mm	2 PCS



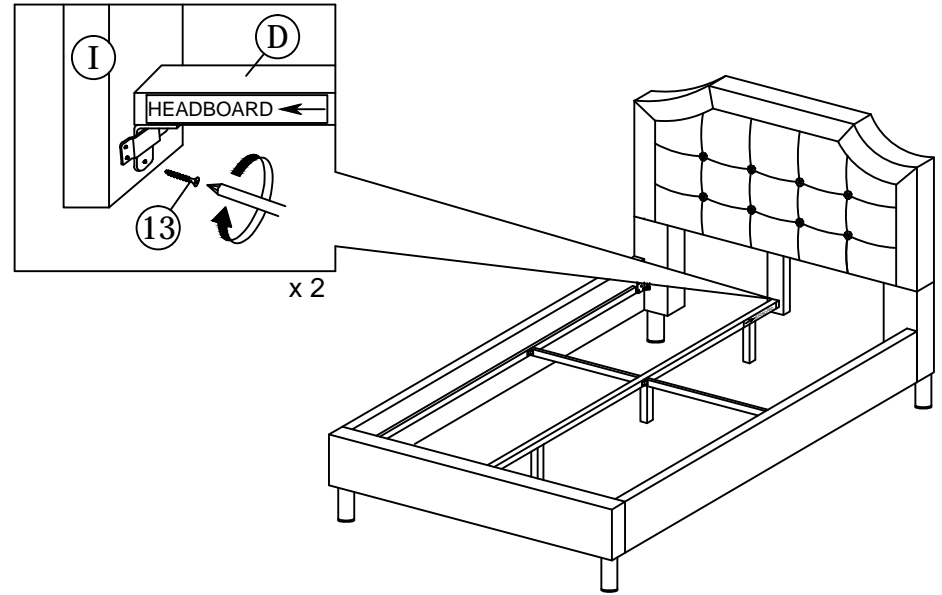
ASSEMBLY INSTRUCTIONS

STEP 5

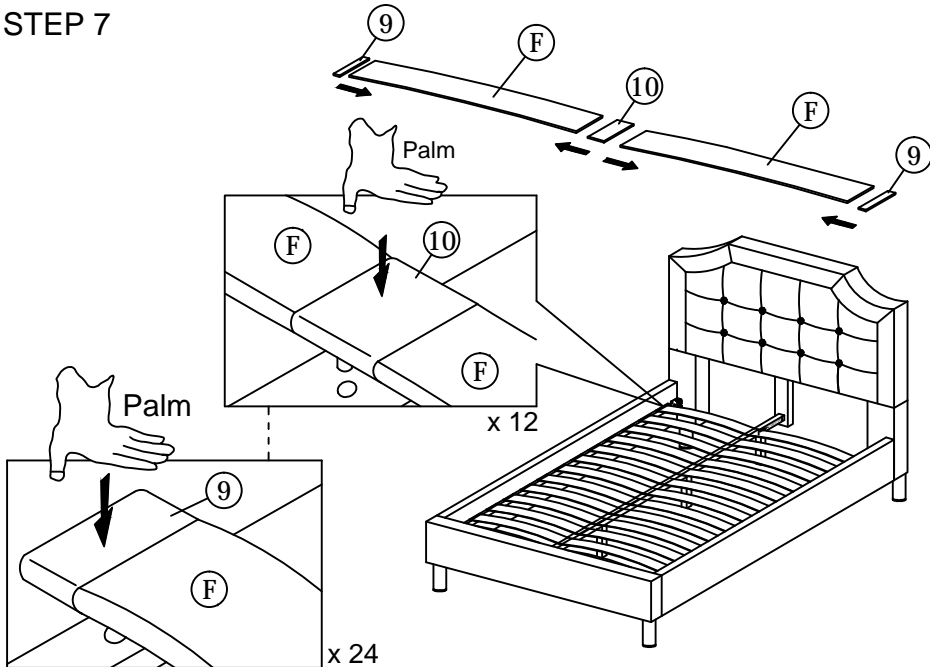
Note: Make sure the sticker
"-> HEADBOARD" faced to
headboard [A]



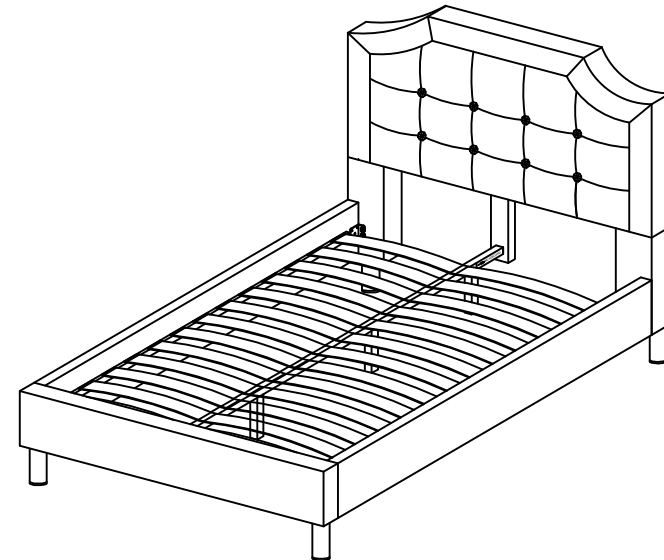
STEP 6



STEP 7



STEP 8



* When moving the bed position, the center support legs
must be adjust to be straight to avoid any broken problem.

MODEL : BBT 3106 NIGHT STAND

ASSEMBLY INSTRUCTIONS

Read this instruction carefully. See hardware and furniture part list for guidance. Be sure all parts are complete, before you assemble. Place all wooden furniture parts on a clean and flat soft surface to prevent from being scratched. Follow the figure to start assembling.

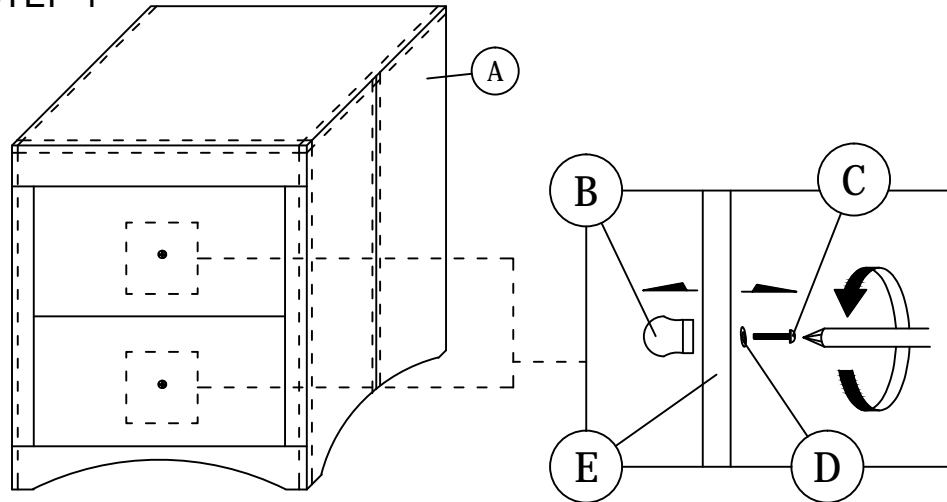
CAUTIONS : 1. Do not FULLY - TIGHTEN the nut or nut bolt until all nut or bolt is ready assembled.
 2. Do not OVER - TIGHTEN the nut or bolt to avoid causing damages to the thread.
 3. Keep all hardware parts out of reach of children.

NOTE : THE LIST AND QUANTITY SHOWN ARE FOR 1 UNIT ASSEMBLY.

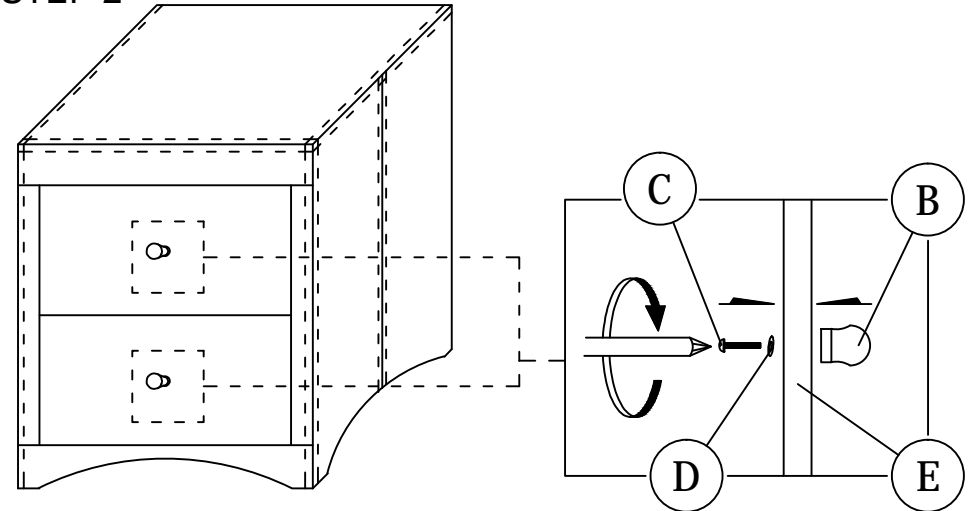
PART LIST		
ITEM	DESCRIPTION	QTY
A	NIGHT STAND	1 PC
B	HANDLE	2 PCS
C	HANDLE SCREW	2 PCS
D	FLAT WASHER	2 PCS
E	DRAWER	2 PCS

PART LIST		
ITEM	DESCRIPTION	QTY
1	-	
2	-	

STEP 1



STEP 2



STEP 3

