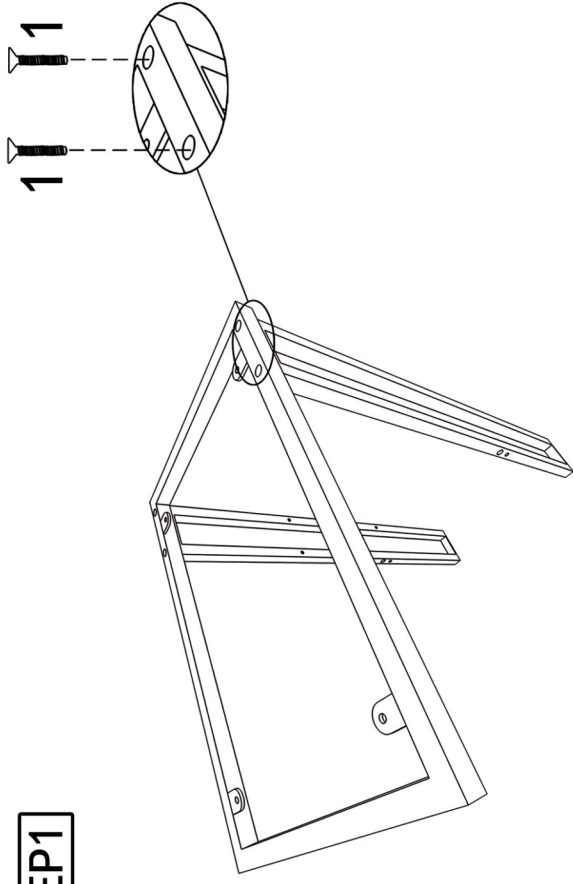
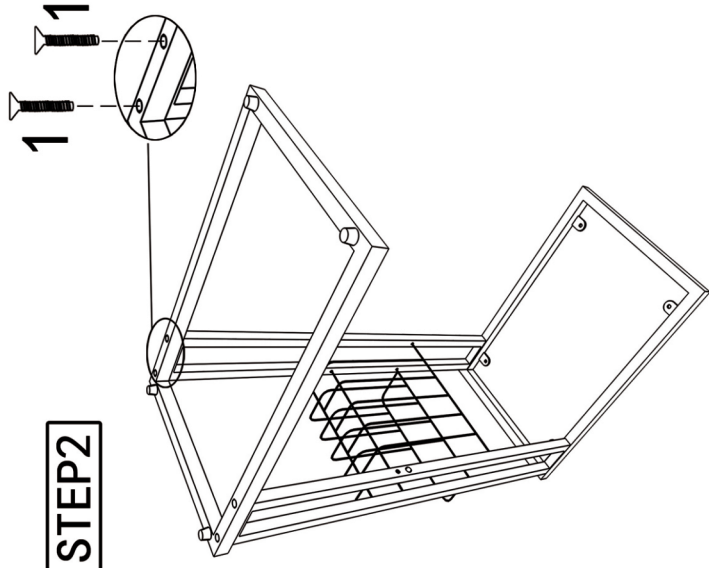


TDA-1019-Foldable-ET FOLDINGABLE END TABLE

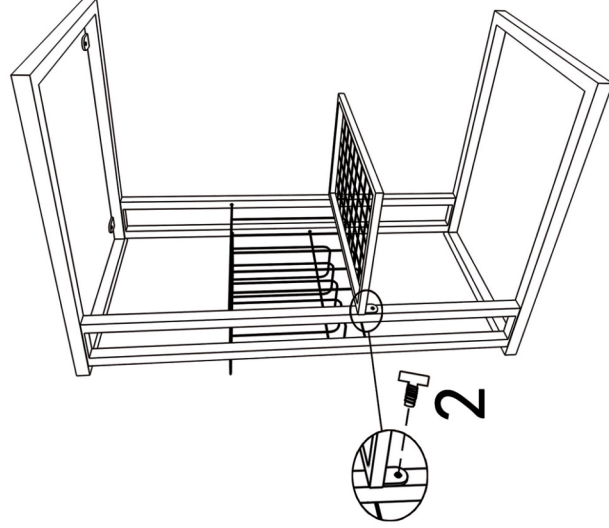
STEP1



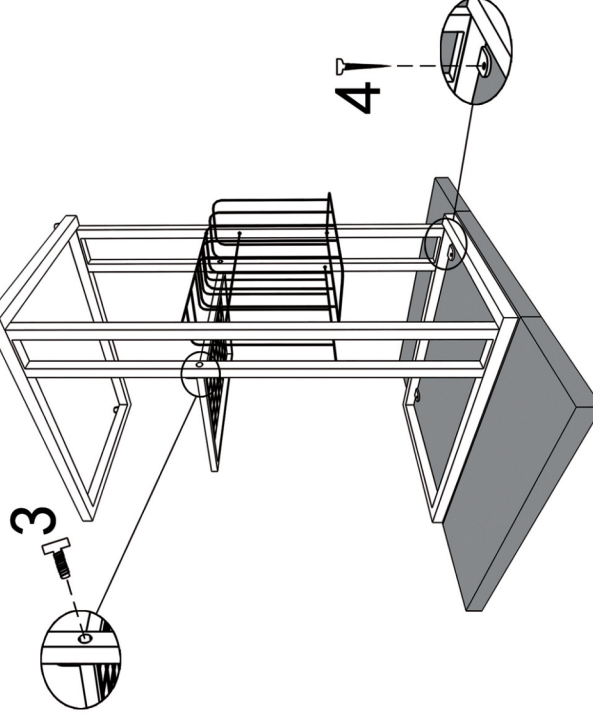
STEP2



STEP3



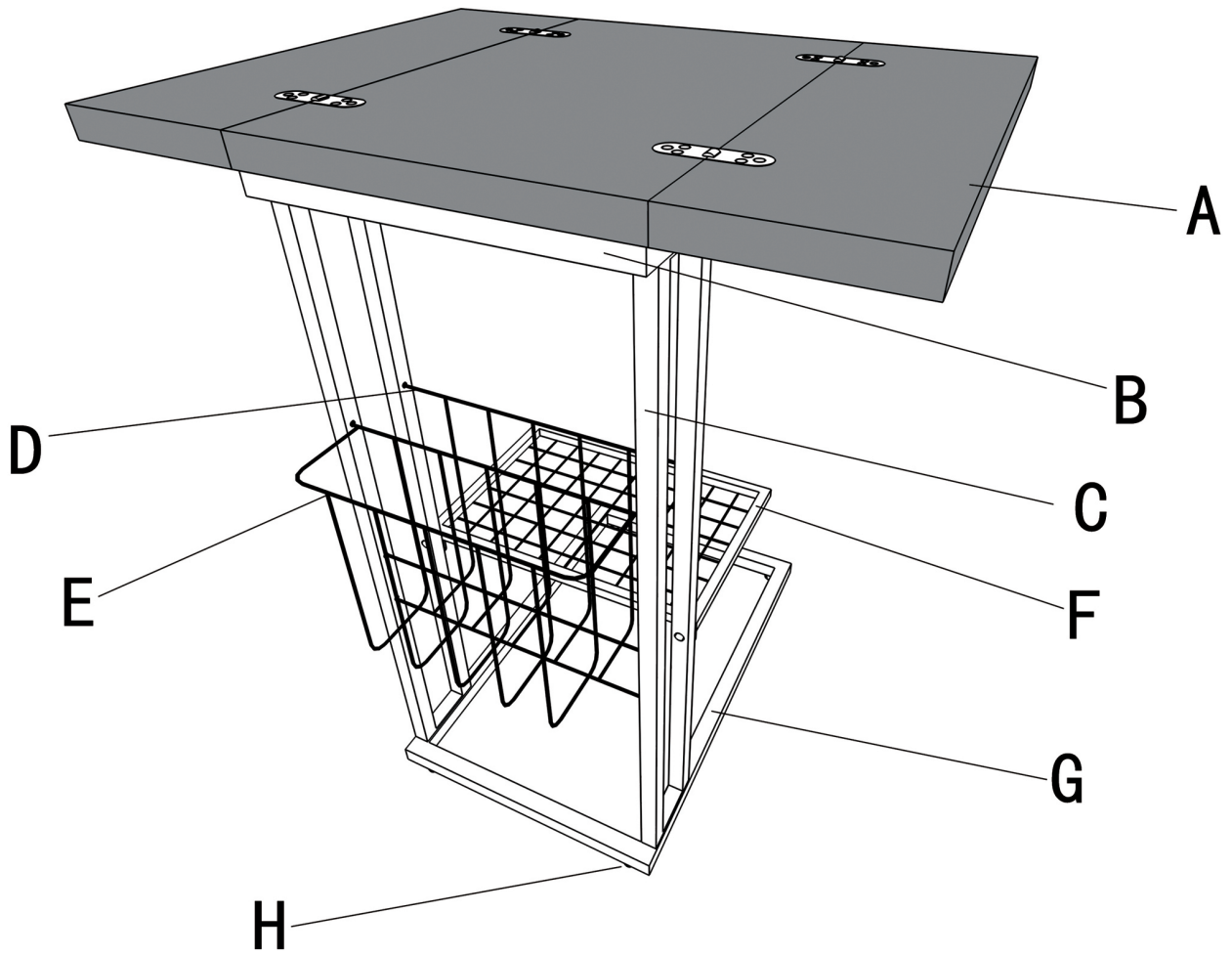
STEP4

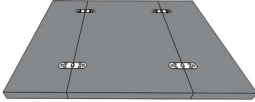
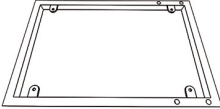
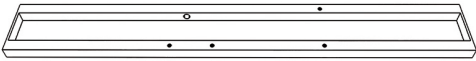
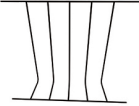

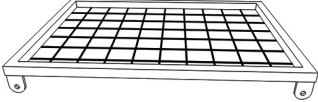




1		8X	1/4" * 30mm
2		2X	1/4" * 12mm
3		2X	1/4" * 22mm
4		4X	M5 * 20mm
5		1X	S4

Note:

Pls do not tighten all bolts until the products is assembled completely.



TDA-1019-Foldable-ET	A		1X
	B		1X
	C		2X
	D		1X
	E		1X
	F		1X
	G		1X
	H		4X