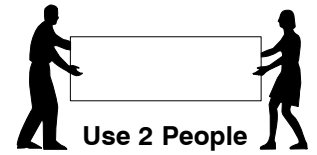
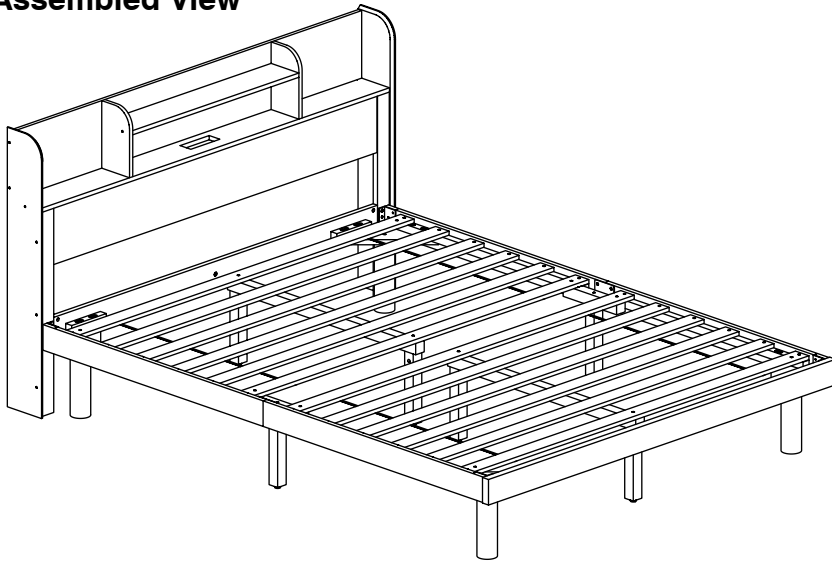


# 0080 S Queen Bed

## Assembly Instructions

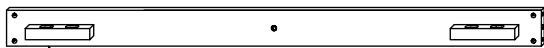
WI-0421

### 1 Assembled View

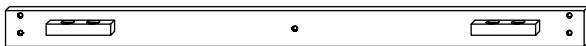


**Note:** Do not assemble using power tools. This can cause the bolts to be overtightened

### 2 Parts List



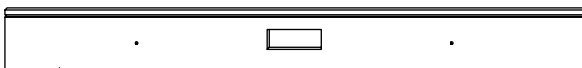
**A** Headboard Support x 1



**B** Footboard Panel x 1



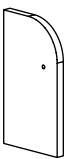
**C** Front Panel x 1



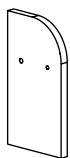
**D** Bottom Panel x 1



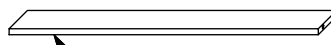
**E** Back Panel x 1



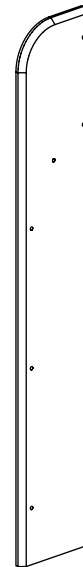
**F** Divider x 1 (Left Hand)



**G** Divider x 1 (Right Hand)



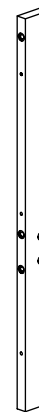
**H** Shelf x 1



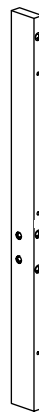
**J** Headboard Side Panel (Left Hand) x 1



**K** Headboard Side Panel (Right Hand) x 1



**L** Headboard Post (Left Hand) x 1



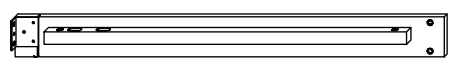
**M** Headboard Post (Right Hand) x 1

# 0080 S Queen Bed

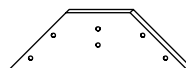
## Assembly Instructions

WI-0421

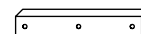
### 2 Part List



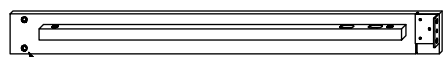
**N** Side Rail (Left Hand) x 2



**R** Support Panel x 4



**S** Support Bar x 2



**O** Side Rail (Right Hand) x 2



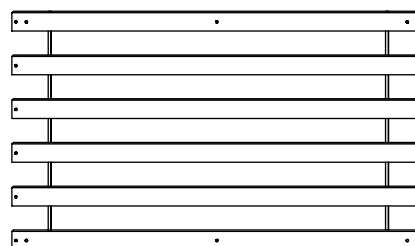
**T** Long Support x 2



**P** Post x 4

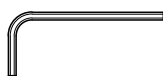


**Q** Support Leg x 6



**U** Set of Bed Slats x 2

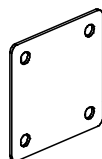
### 3 Hardware List



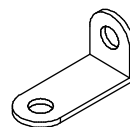
**1** M4 Allen Key x 1



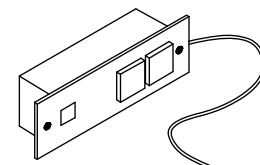
**2** M5 Allen Key x 1



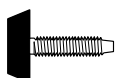
**3** Metal Plate x 2



**4** 'L' Bracket (5003) x 3



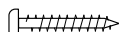
**5** Plug x 1



**6** Adjustable Foot x 6



**7** Wood Screw (M4 x 16mm) x 8



**8** Wood Screw (M4 x 32mm) x 16



**9** CSK Cap Wood Screw (M6 x 50mm) x 18



**10** Wood Dowel (M8 x 30mm) x 4



**11** Wood Dowel (M10 x 40mm) x 2



**12** Barrel Nut x 12



**13** Spring Washer x 24



**14** M6 Flat Washer x 34



**15** M6 JCN Nut x 4



**16** M8 Flat Washer x 4



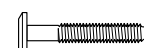
**17** M8 x 50mm JCB x 8



**18** M6 x 15mm JCB x 8



**19** M6 x 20mm JCB x 8



**20** M6 x 40mm JCB x 8



**21** M6 x 50mm JCB x 20



**22** M6 x 90mm JCB x 8



**23** M6 x 100mm JCB x 4

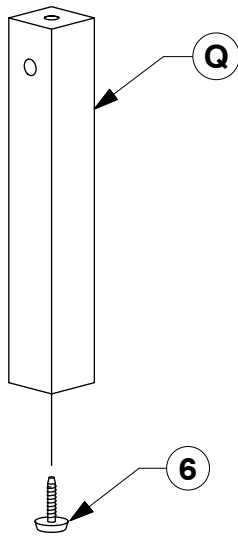
# 0080 S Queen Bed

## Assembly Instructions

WI-0421

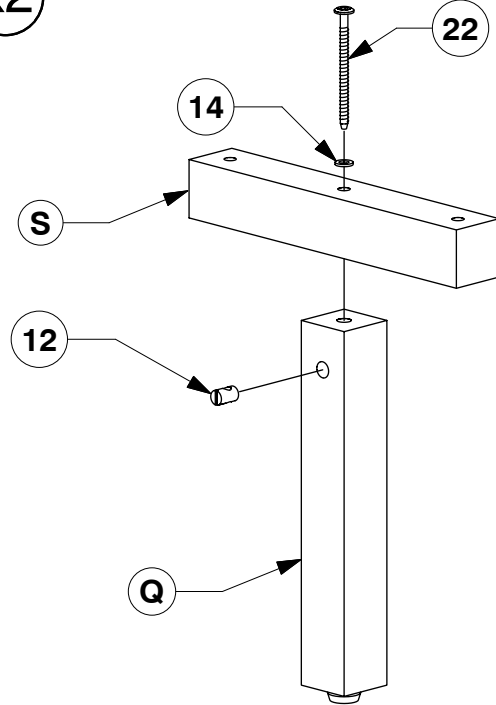
- 4** Fit the Adjustable foot to the bottom of the Support Leg (Q).

x6

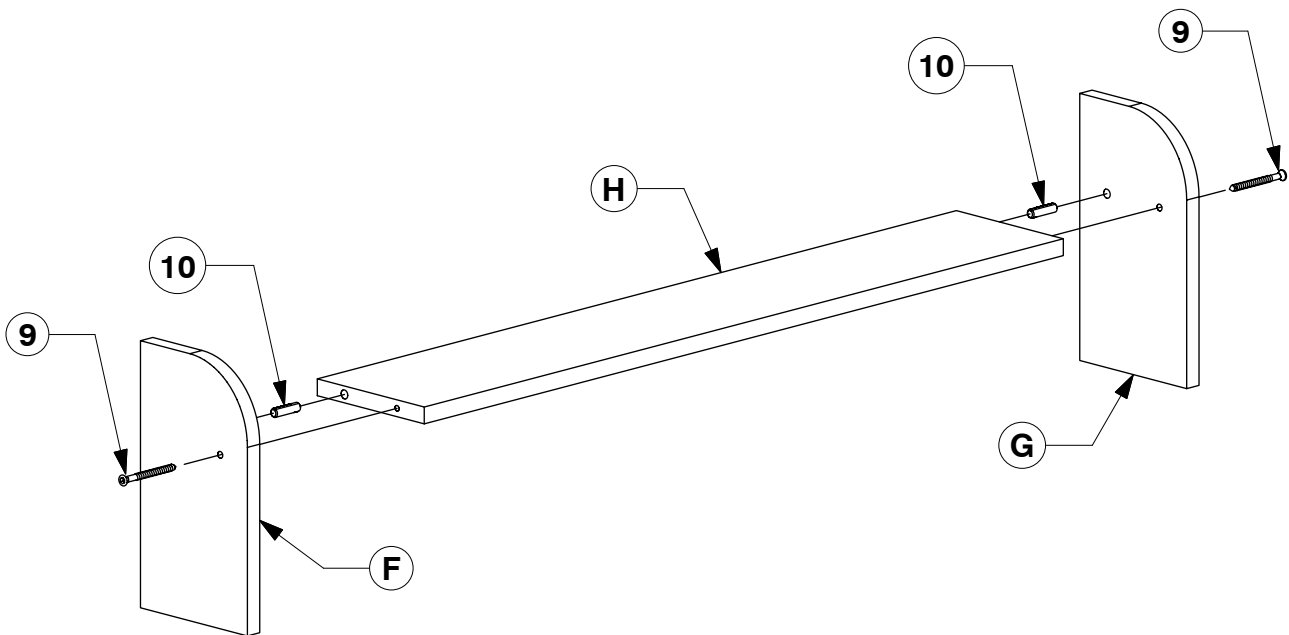


- 5** Fit the Support Bar (S) to the Support Leg (Q).

x2



- 6** Fit the Divider (F & G) to the Shelf (H).

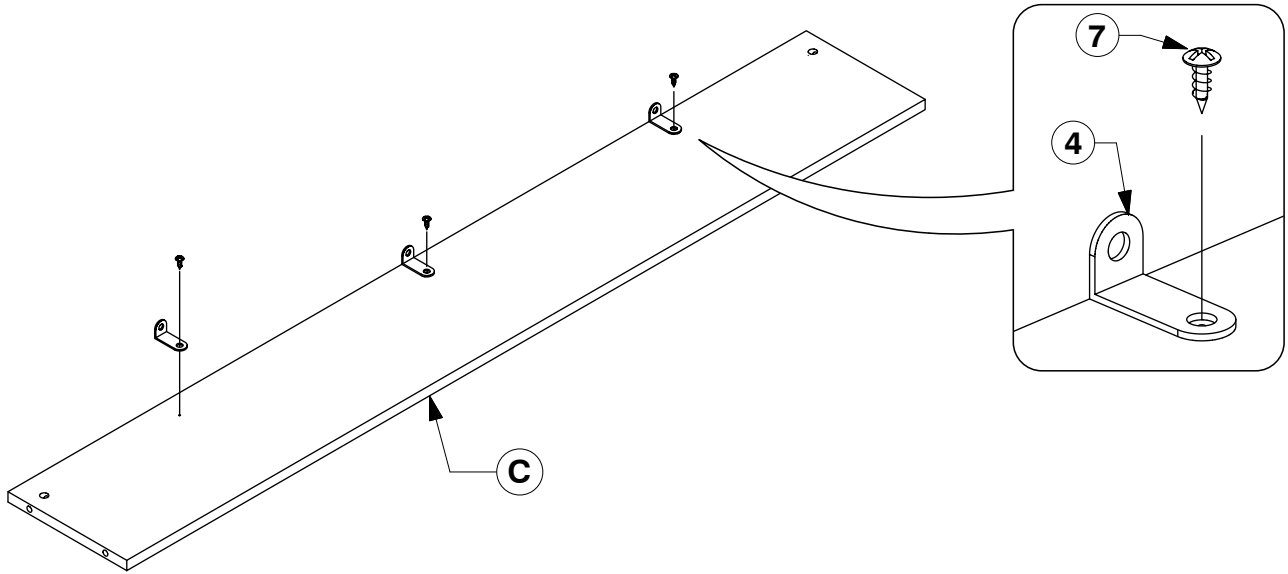


# 0080 S Queen Bed

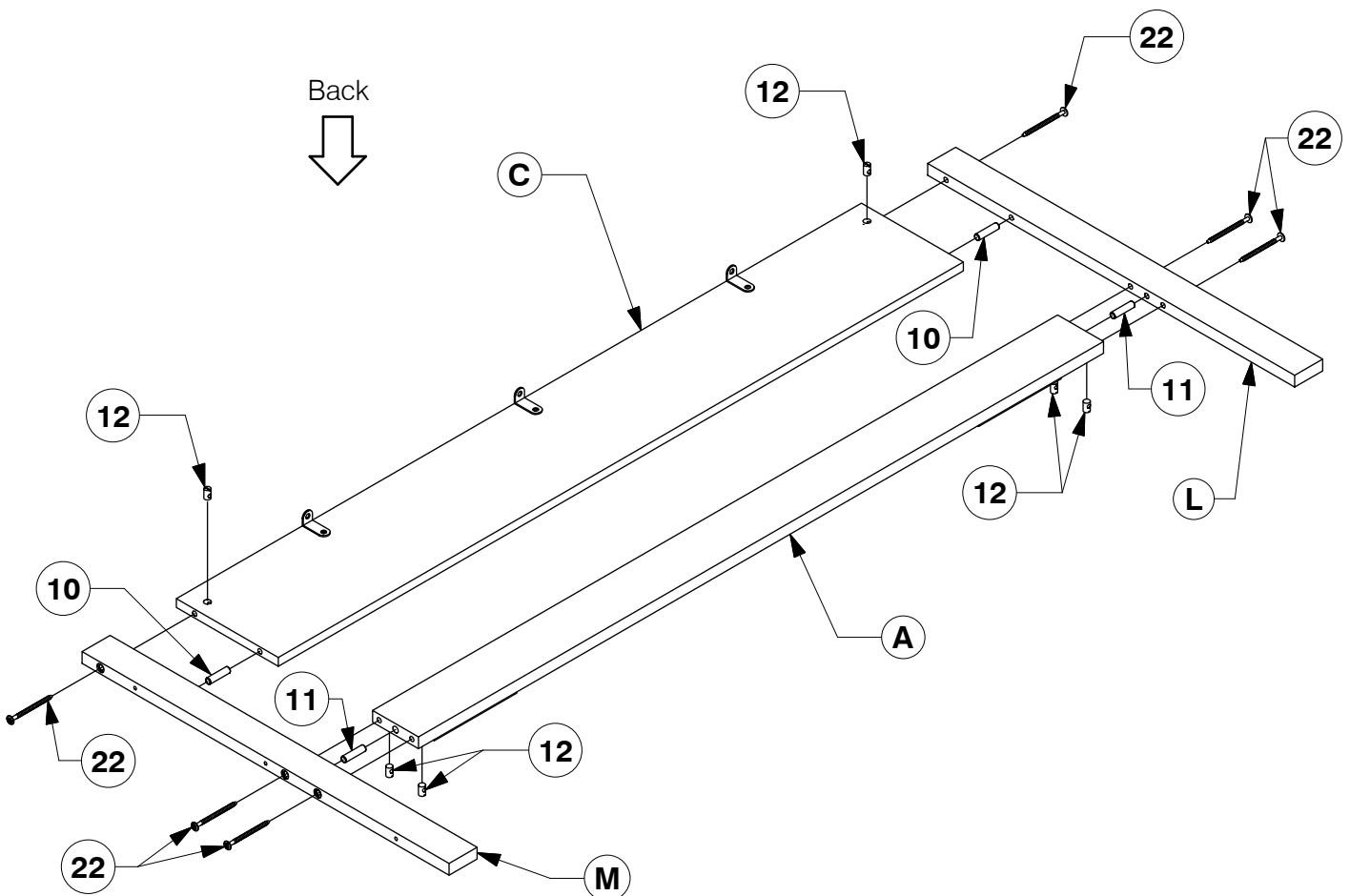
## Assembly Instructions

WI-0421

### 7 Fix the 'L' Bracket to the Front Panel (C).



### 8 Assemble the Headboard Post (L & M) to the Front Panel (C) and Headboard Support (A).

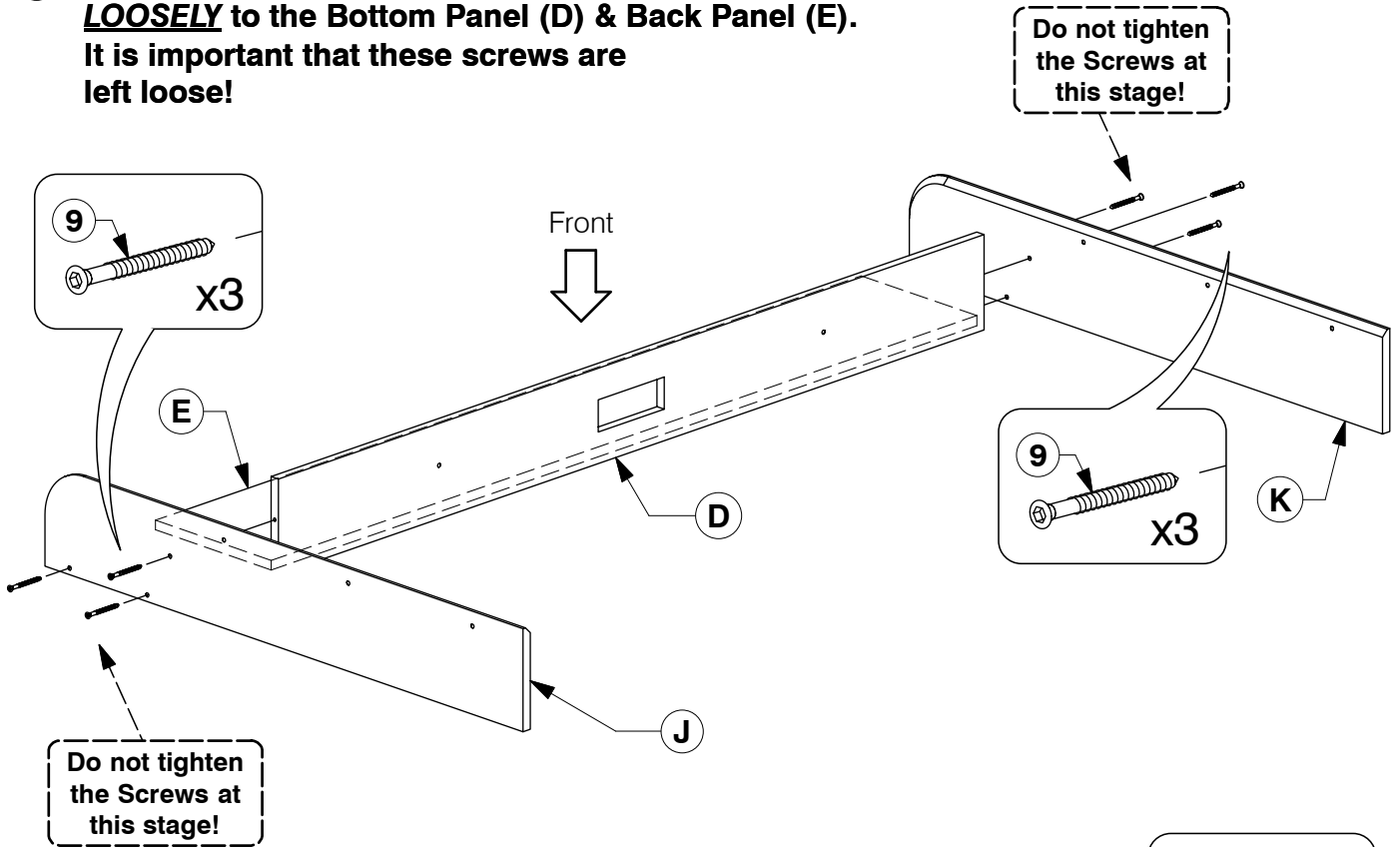


# 0080 S Queen Bed

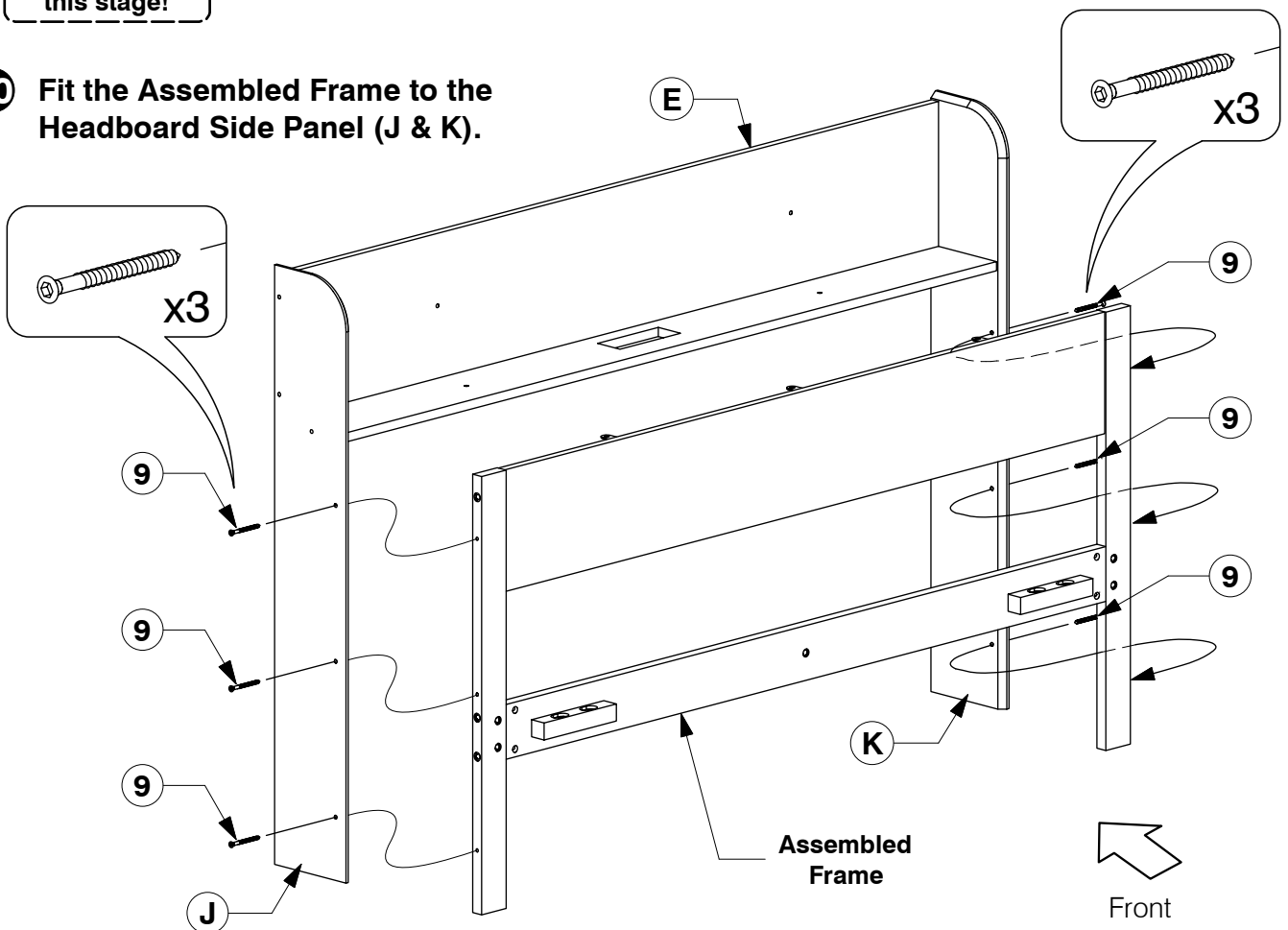
## Assembly Instructions

WI-0421

- 9** Assembled the Headboard Side Panel (J & K) **LOOSELY** to the Bottom Panel (D) & Back Panel (E). It is important that these screws are left loose!



- 10** Fit the Assembled Frame to the Headboard Side Panel (J & K).

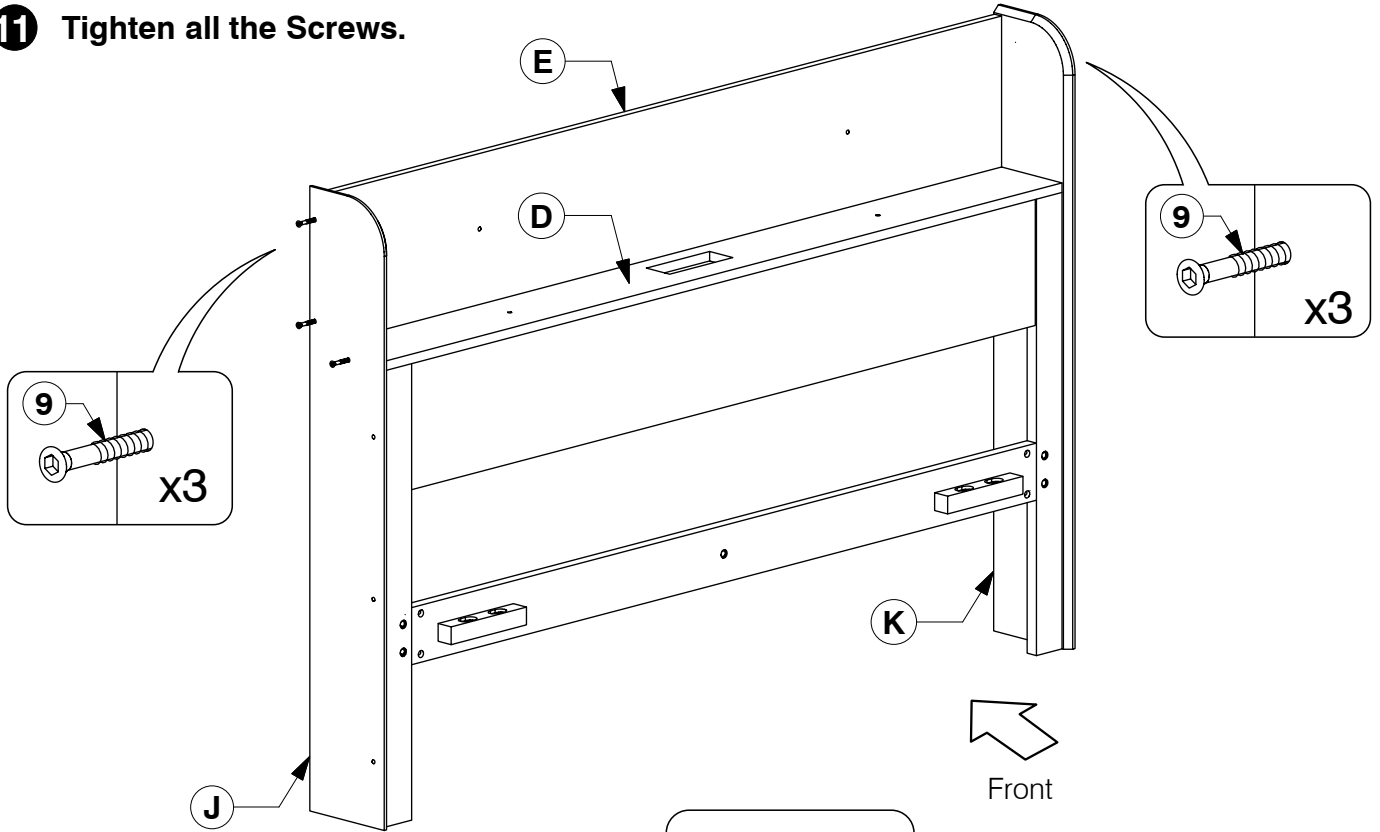


# 0080 S Queen Bed

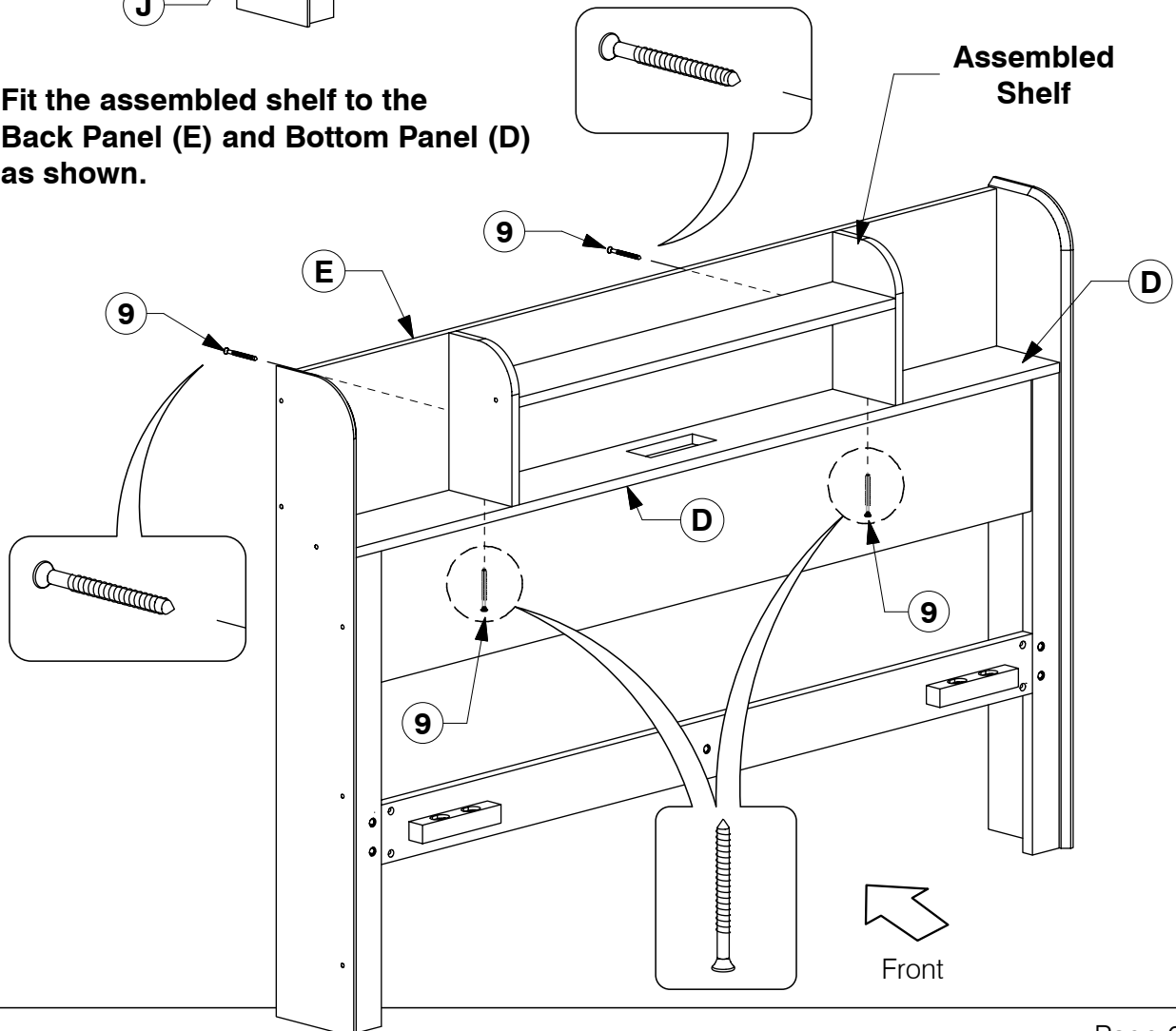
## Assembly Instructions

WI-0421

### 11 Tighten all the Screws.



### 12 Fit the assembled shelf to the Back Panel (E) and Bottom Panel (D) as shown.

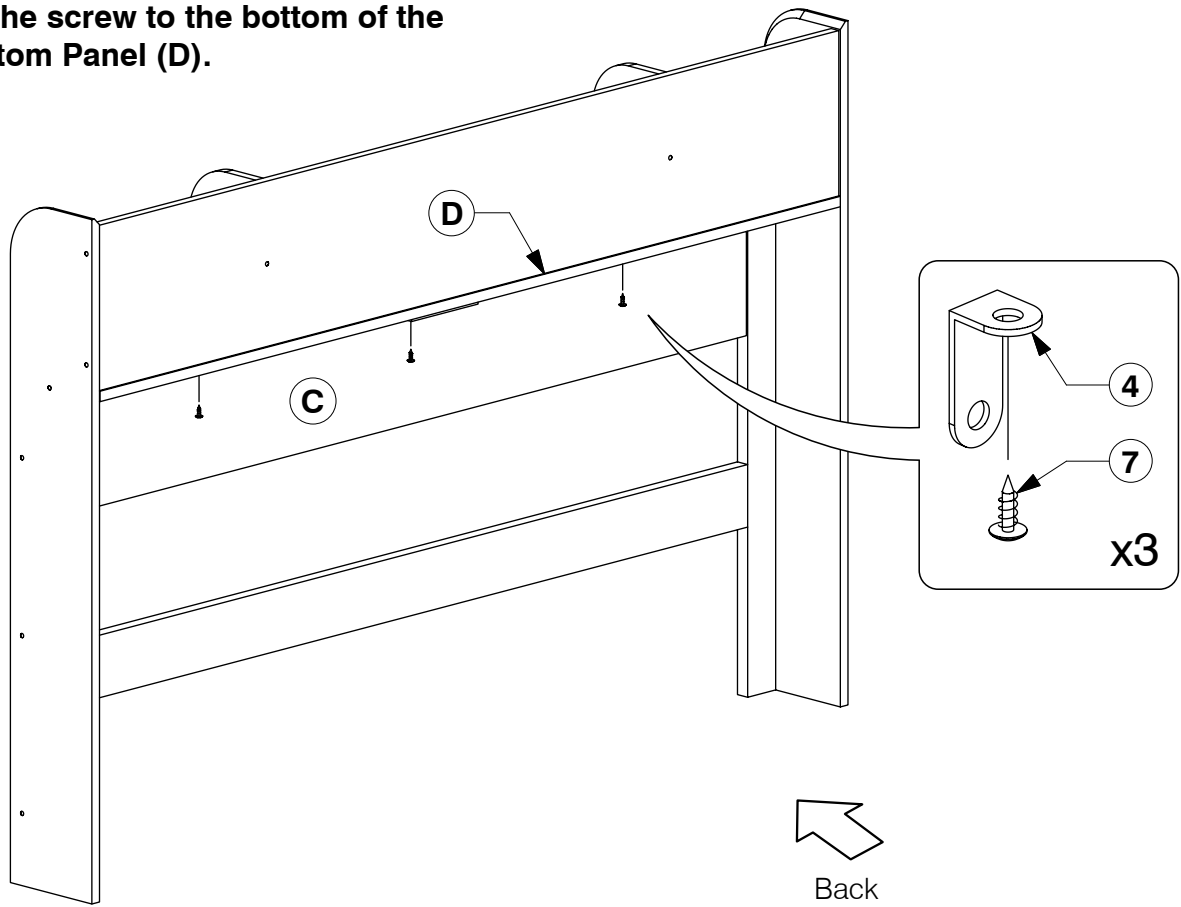


# 0080 S Queen Bed

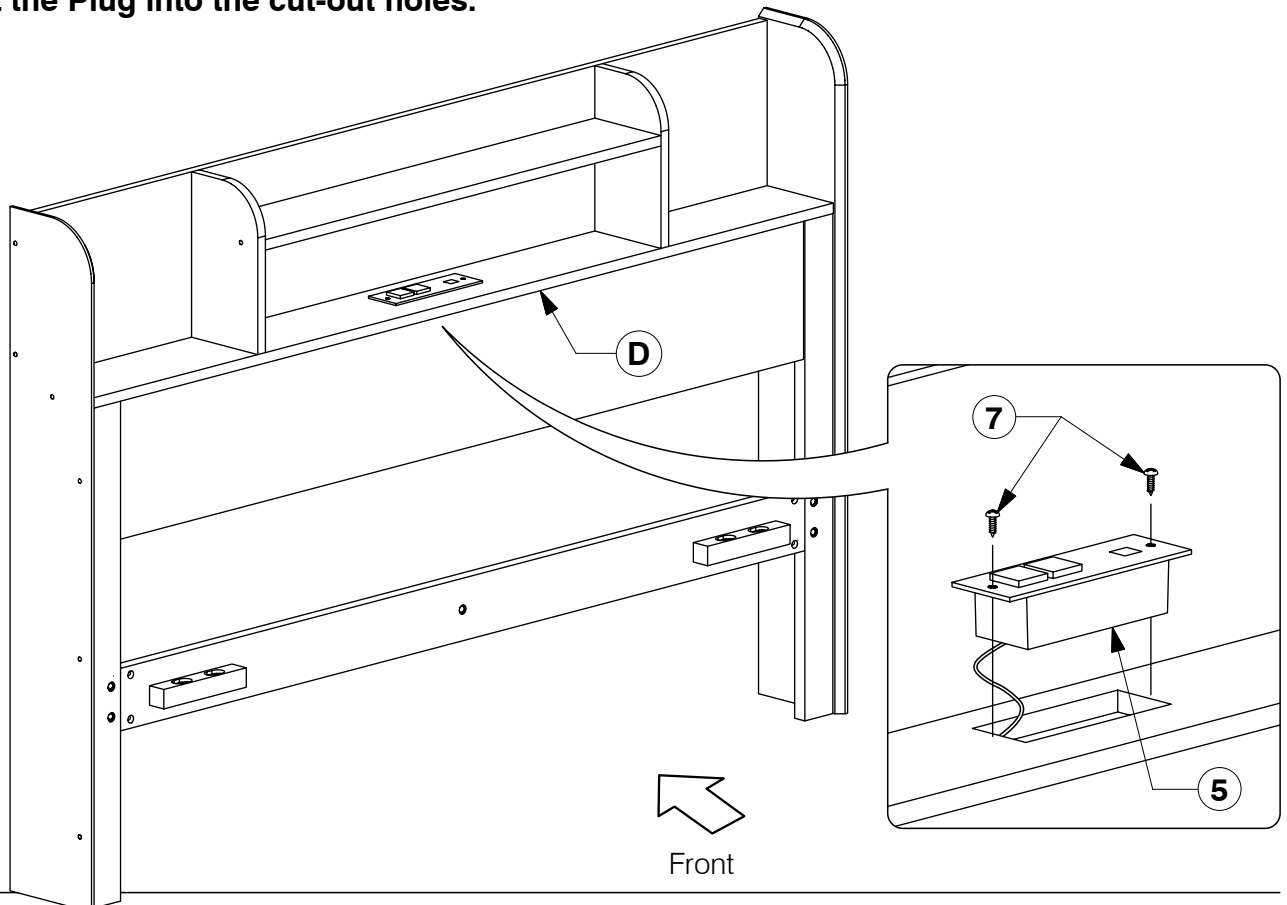
## Assembly Instructions

WI-0421

- 13** Fit the screw to the bottom of the Bottom Panel (D).



- 14** Fit the Plug into the cut-out holes.



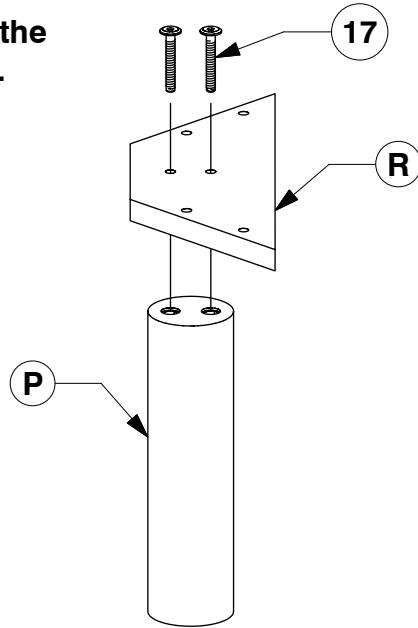
# 0080 S Queen Bed

## Assembly Instructions

WI-0421

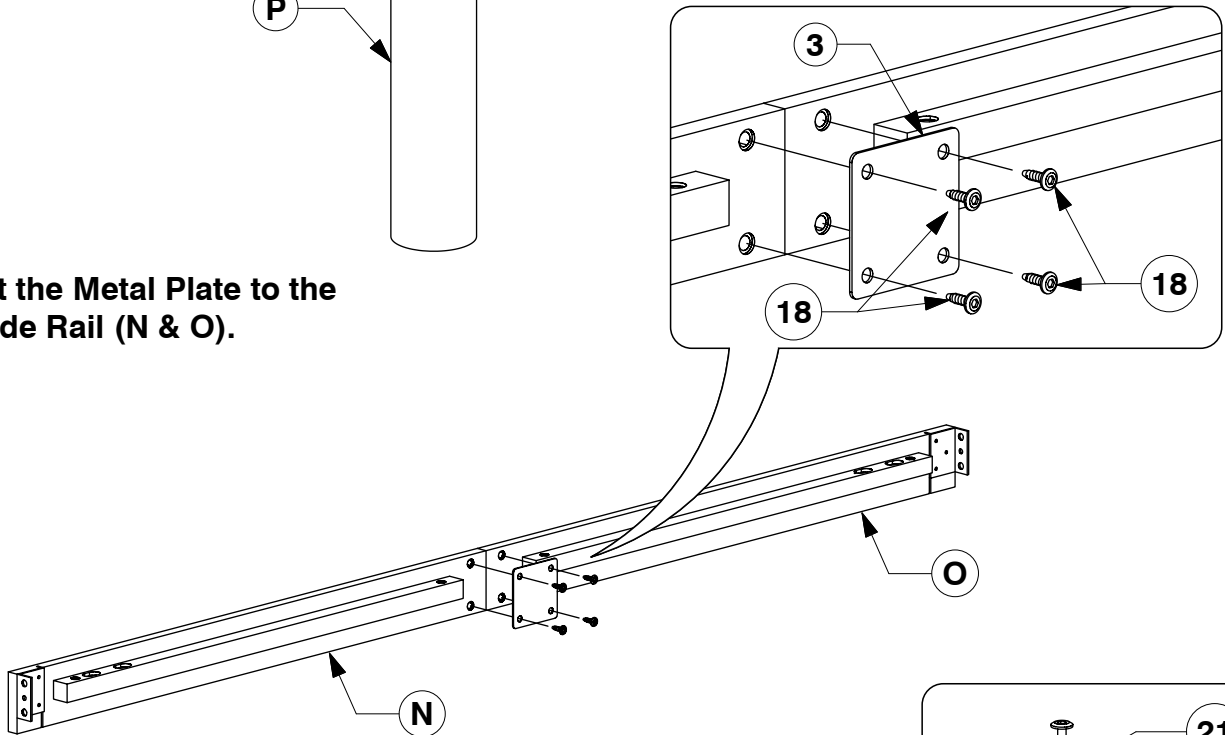
- 15** Fit the Post (P) to the Support Panel (R).

x4



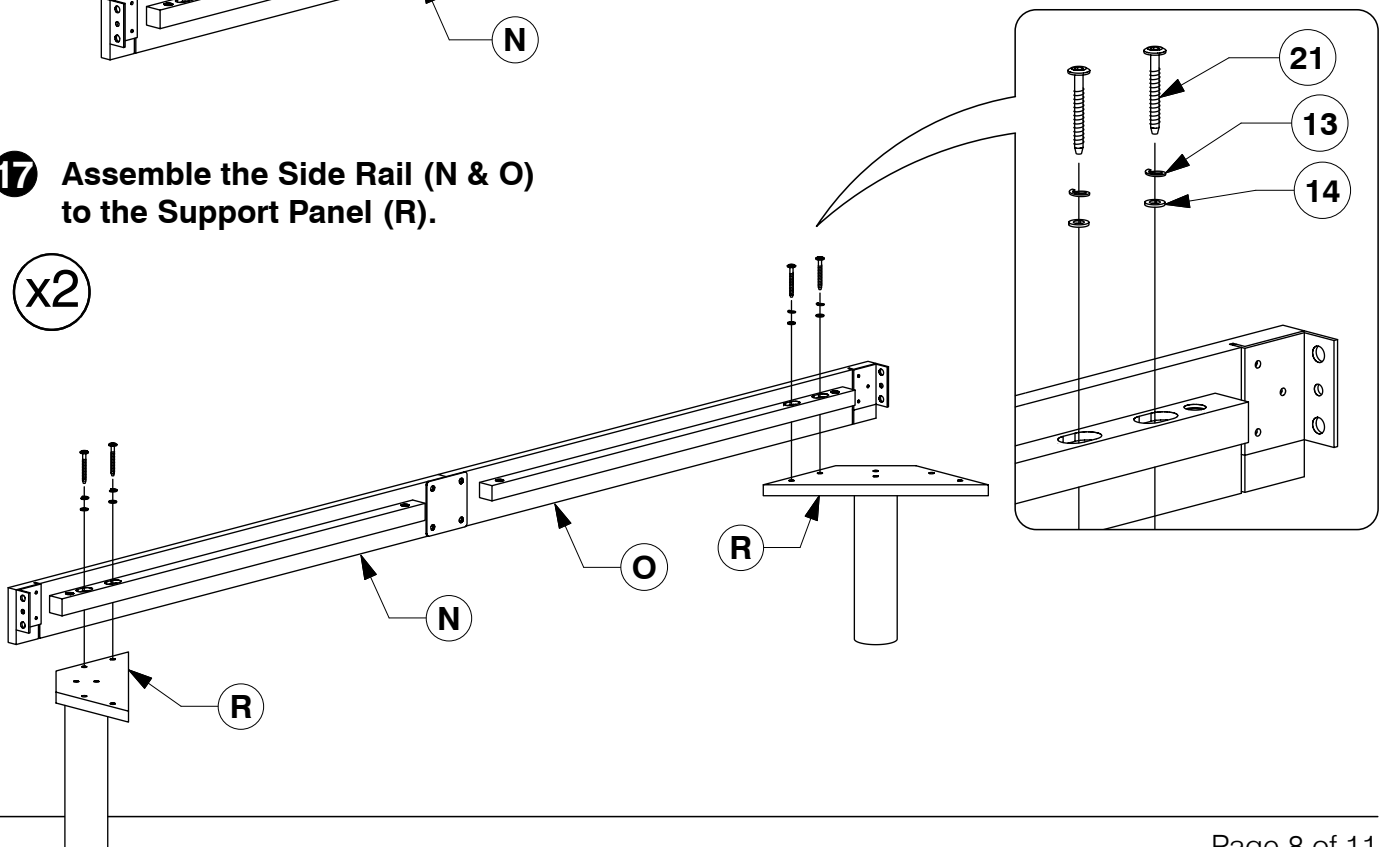
- 16** Fit the Metal Plate to the Side Rail (N & O).

x2



- 17** Assemble the Side Rail (N & O) to the Support Panel (R).

x2



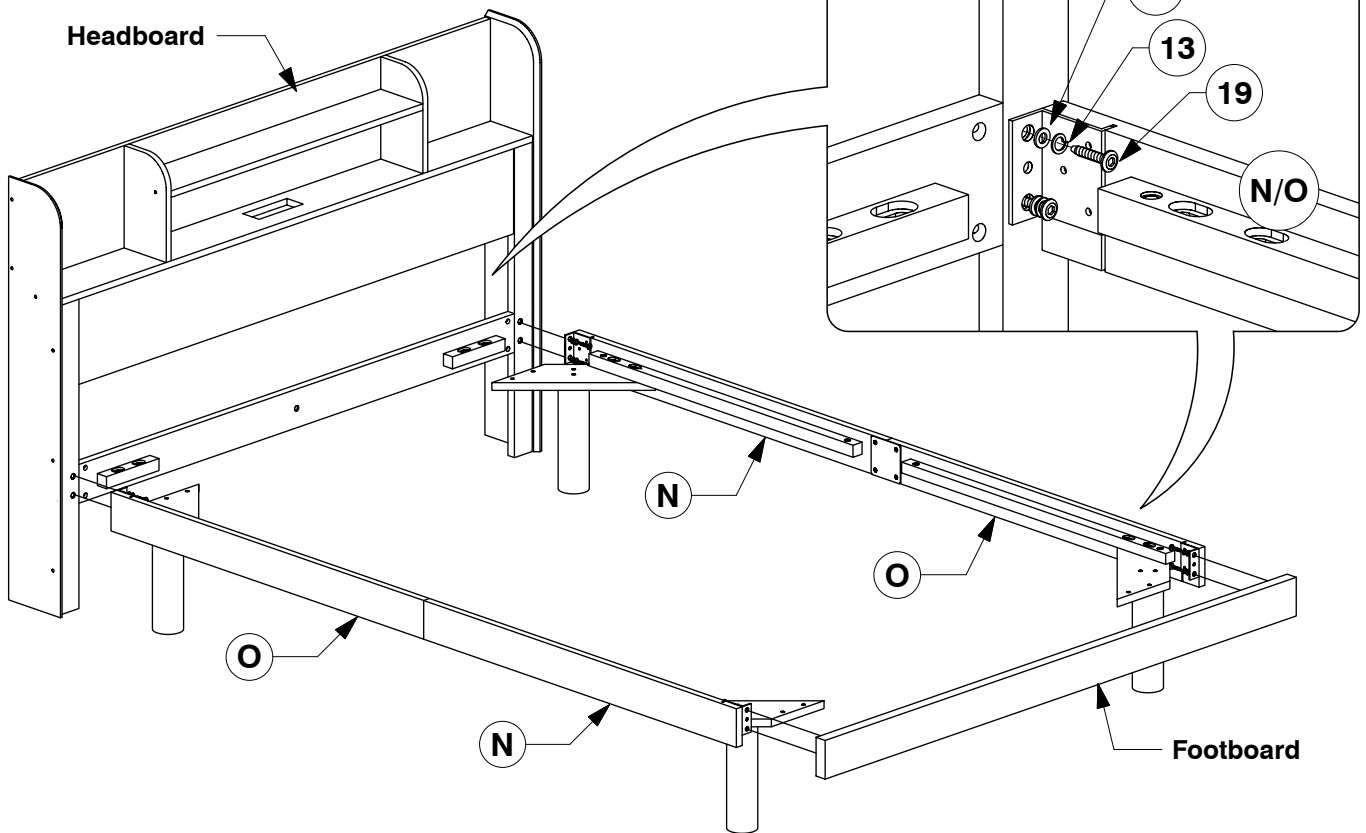


# 0080 S Queen Bed

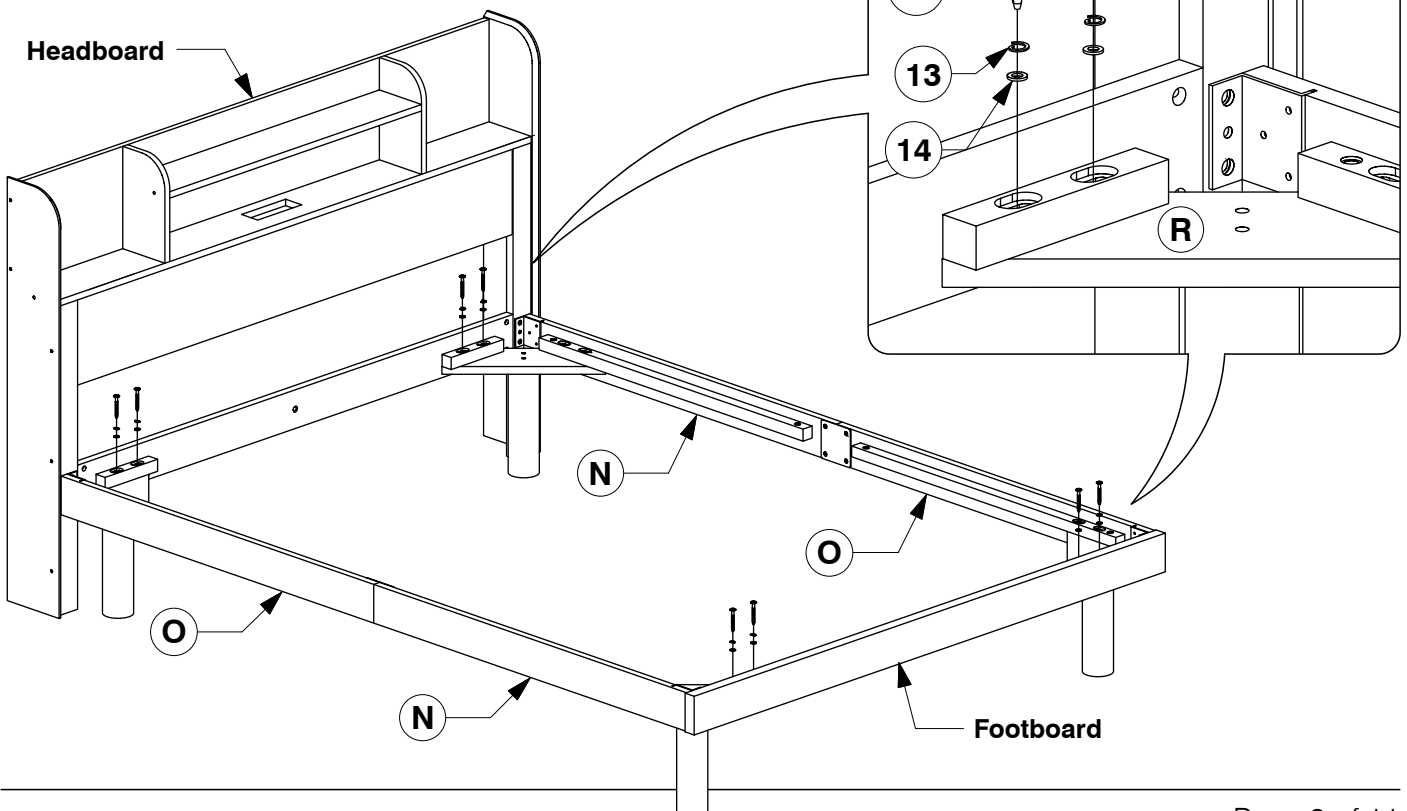
## Assembly Instructions

WI-0421

### 18 Assemble the Side Rail (N & O) to the Headboard & Footboard.



### 19 Bolt the Support Panel (R) to the Headboard & Footboard.

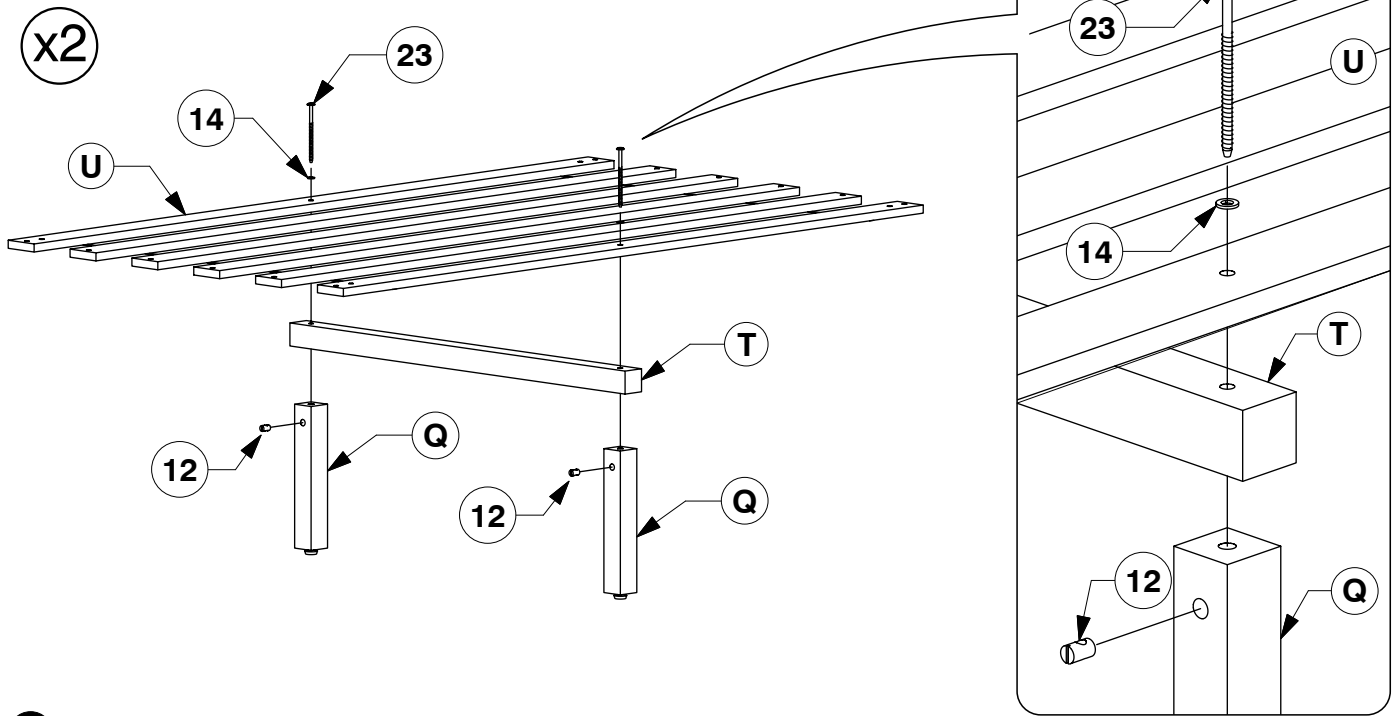


# 0080 S Queen Bed

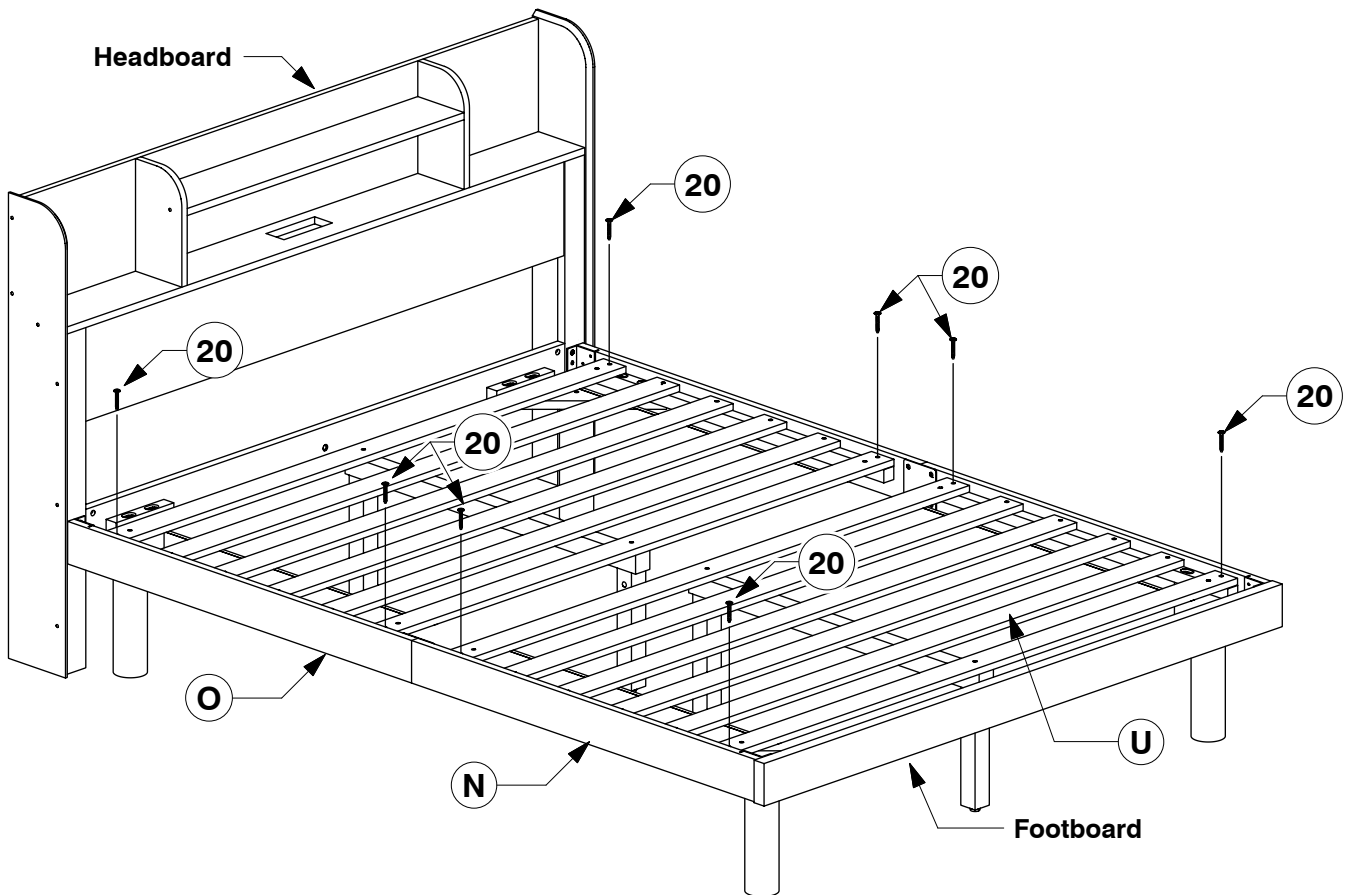
## Assembly Instructions

WI-0421

- 20** Fit the Slats (U) to the Long Support (T) & Support Leg (Q).



- 21** Bolt the Bed Slats (U) to the Side Rail (N & O).

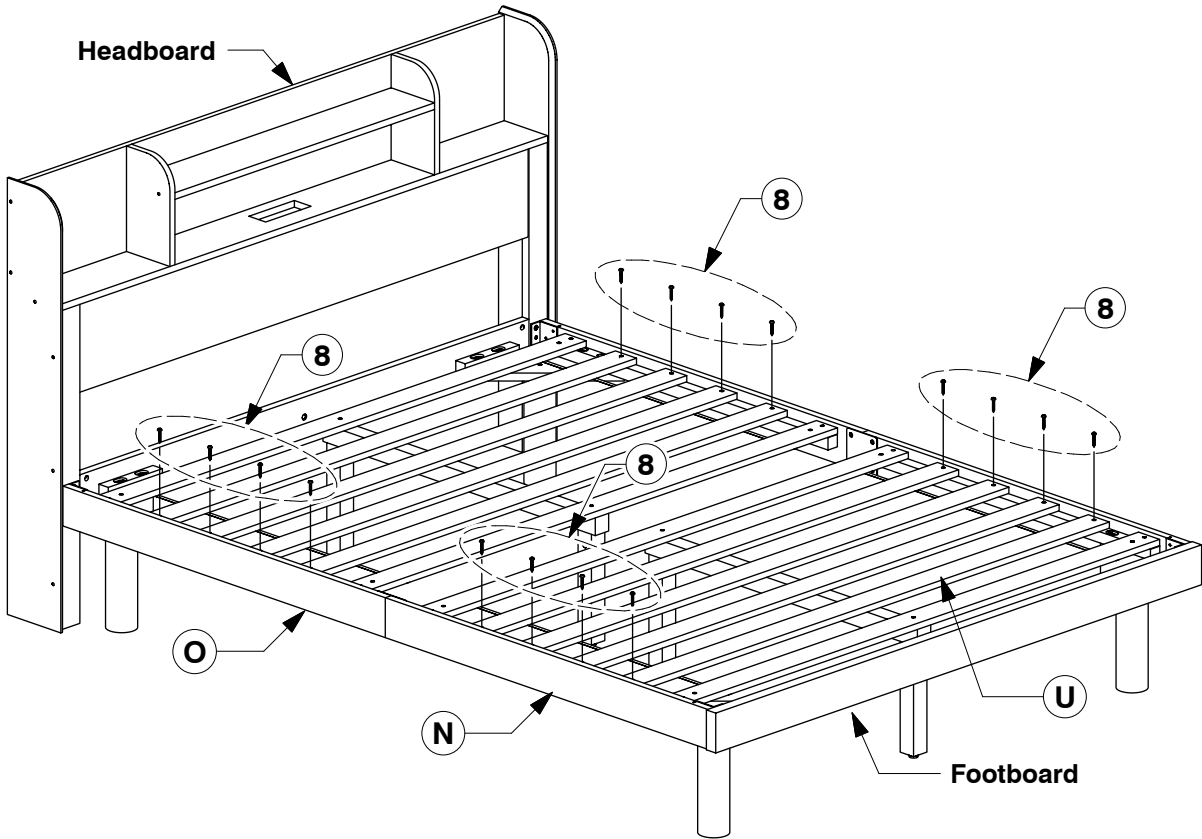


# 0080 S Queen Bed

## Assembly Instructions

WI-0421

- 22** Screw the Bed Slats (U) to the Side Rail (N & O).



- 23** Lastly, fit the Support Bar (S) in place.

