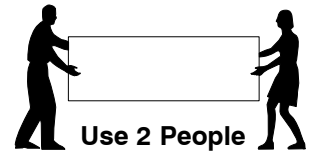
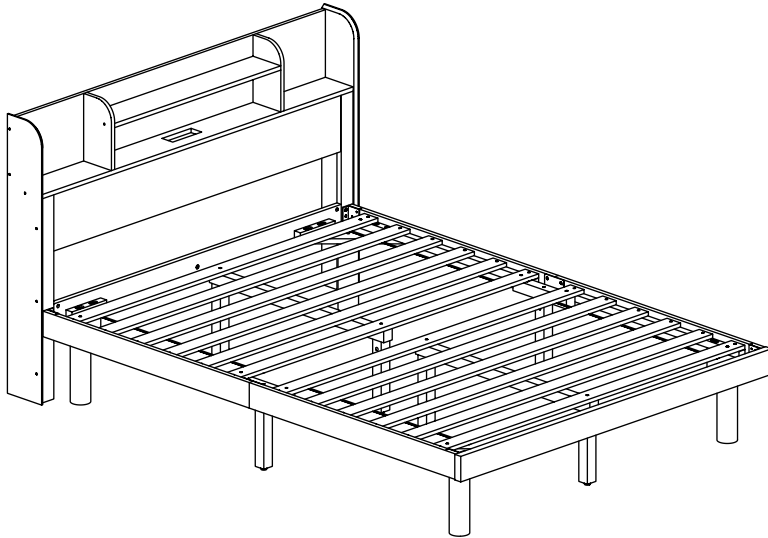


0080 S Full Bed

Assembly Instructions

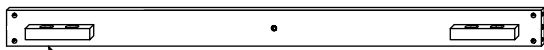
WI-0421

1 Assembled View

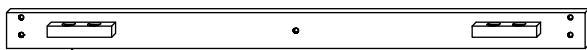


Note: Do not assemble using power tools. This can cause the bolts to be overtightened

2 Parts List



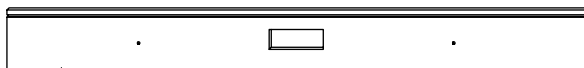
A Headboard Support x 1



B Footboard Panel x 1



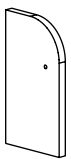
C Front Panel x 1



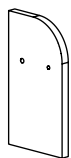
D Bottom Panel x 1



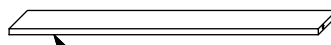
E Back Panel x 1



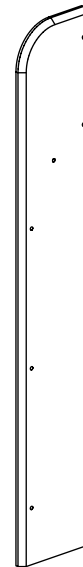
F Divider x 1 (Left Hand)



G Divider x 1 (Right Hand)



H Shelf x 1



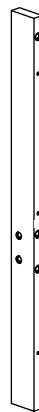
J Headboard Side Panel (Left Hand) x 1



K Headboard Side Panel (Right Hand) x 1



L Headboard Post (Left Hand) x 1



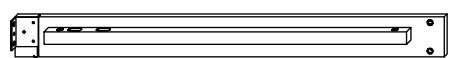
M Headboard Post (Right Hand) x 1

0080 S Full Bed

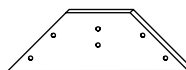
Assembly Instructions

WI-0421

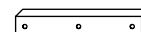
2 Part List



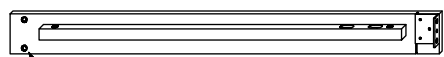
N Side Rail (Left Hand) x 2



R Support Panel x 4



S Support Bar x 2



O Side Rail (Right Hand) x 2



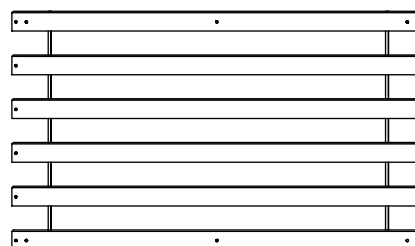
T Long Support x 2



P Post x 4

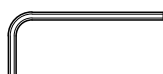


Q Support Leg x 6



U Set of Bed Slats x 2

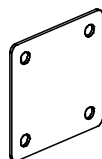
3 Hardware List



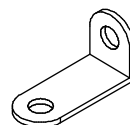
1 M4 Allen Key x 1



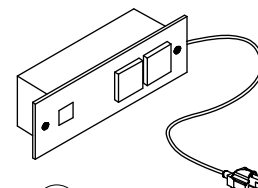
2 M5 Allen Key x 1



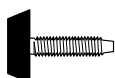
3 Metal Plate x 2



4 'L' Bracket (5003) x 3



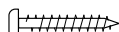
5 Plug x 1



6 Adjustable Foot x 6



7 Wood Screw (M4 x 16mm) x 8



8 Wood Screw (M4 x 32mm) x 16



9 CSK Cap Wood Screw (M6 x 50mm) x 18



10 Wood Dowel (M8 x 30mm) x 4



11 Wood Dowel (M10 x 40mm) x 2



12 Barrel Nut x 12



13 Spring Washer x 24



14 M6 Flat Washer x 34



15 M6 JCN Nut x 4



16 M8 Flat Washer x 4



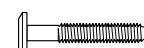
17 M8 x 50mm JCB x 8



18 M6 x 15mm JCB x 8



19 M6 x 20mm JCB x 8



20 M6 x 40mm JCB x 8



21 M6 x 50mm JCB x 20



22 M6 x 90mm JCB x 8



23 M6 x 100mm JCB x 4

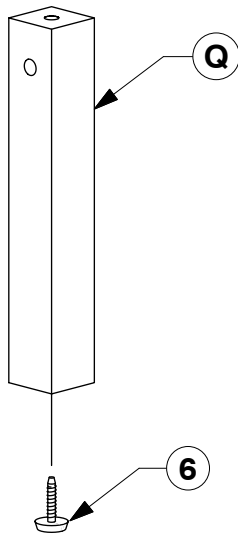
0080 S Full Bed

Assembly Instructions

WI-0421

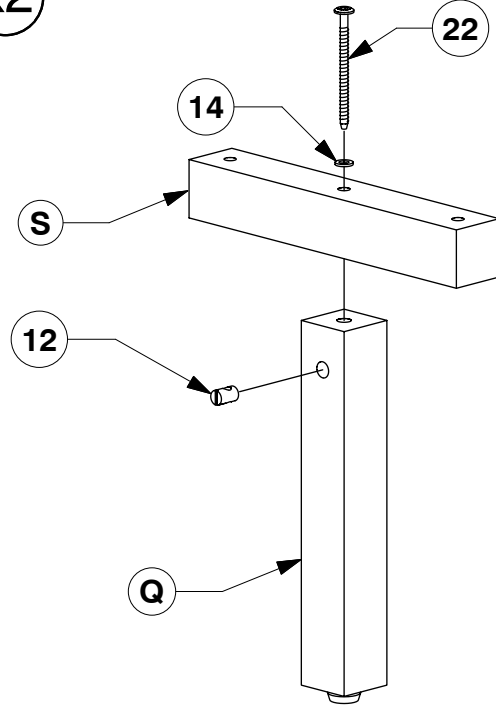
- 4** Fit the Adjustable foot to the bottom of the Support Leg (Q).

x6

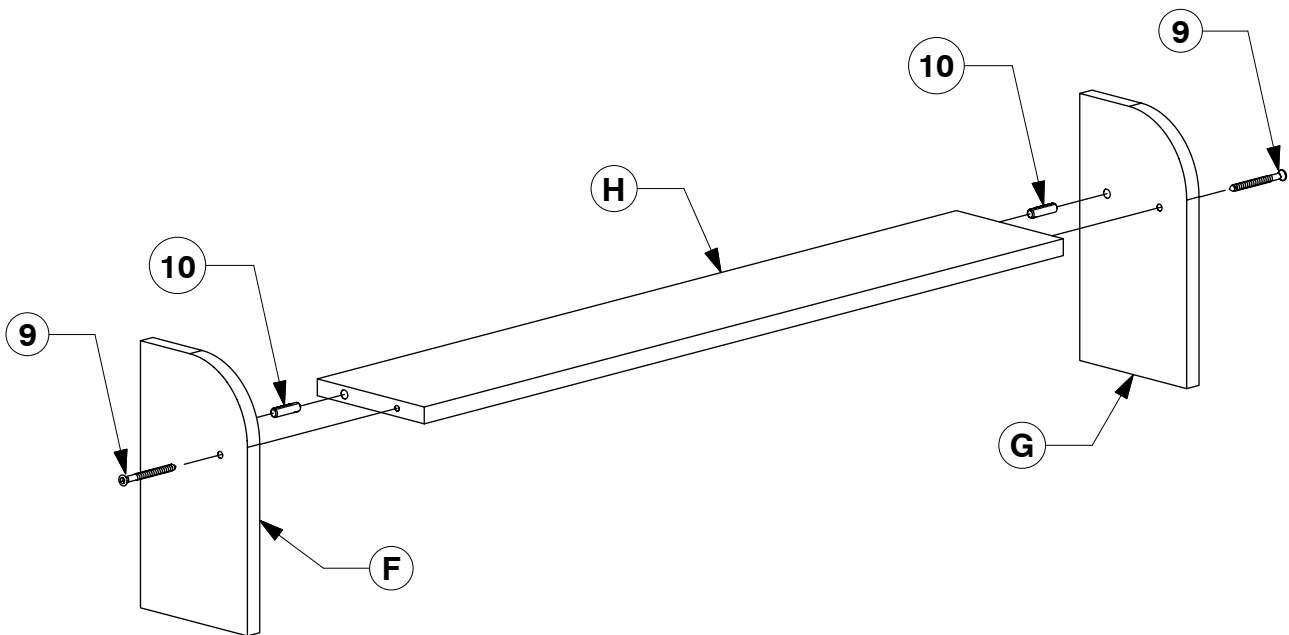


- 5** Fit the Support Bar (S) to the Support Leg (Q).

x2



- 6** Fit the Divider (F & G) to the Shelf (H).

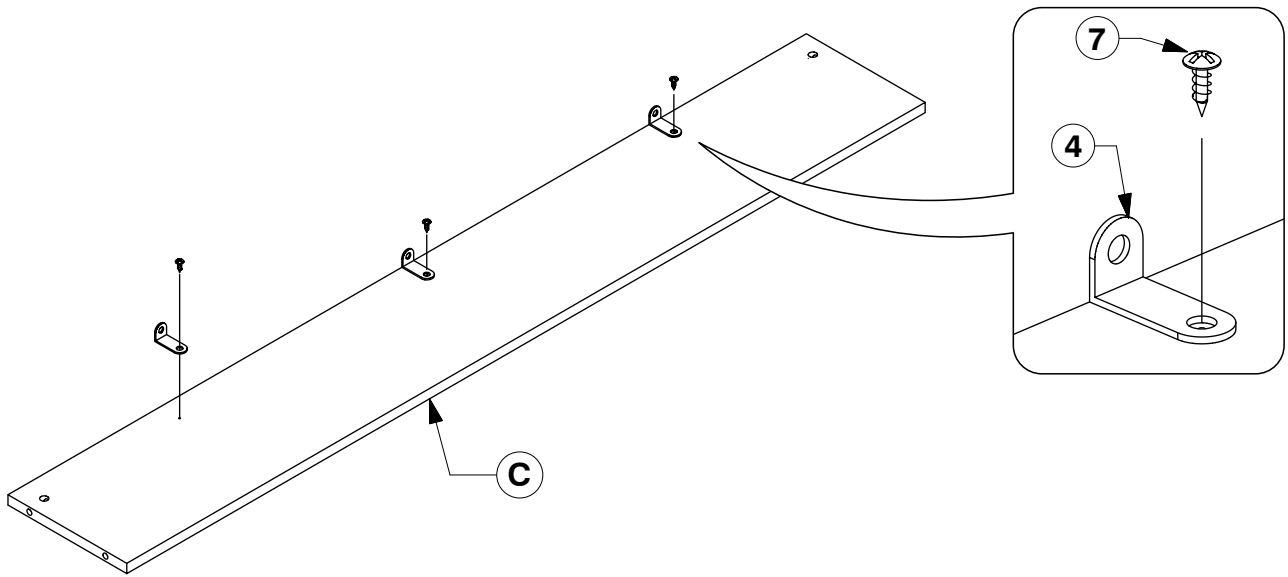


0080 S Full Bed

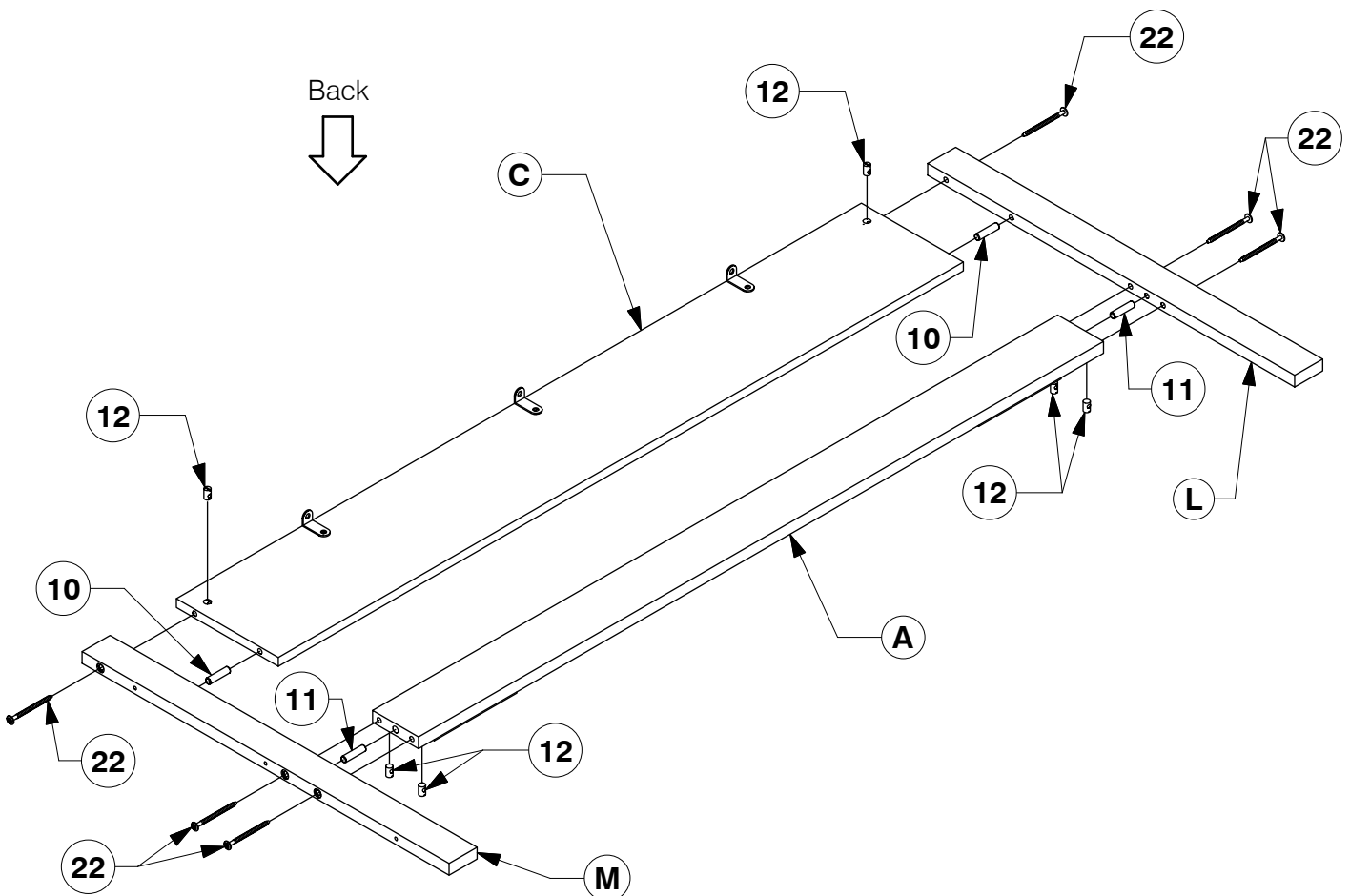
Assembly Instructions

WI-0421

7 Fix the 'L' Bracket to the Front Panel (C).



8 Assemble the Headboard Post (L & M) to the Front Panel (C) and Headboard Support (A).

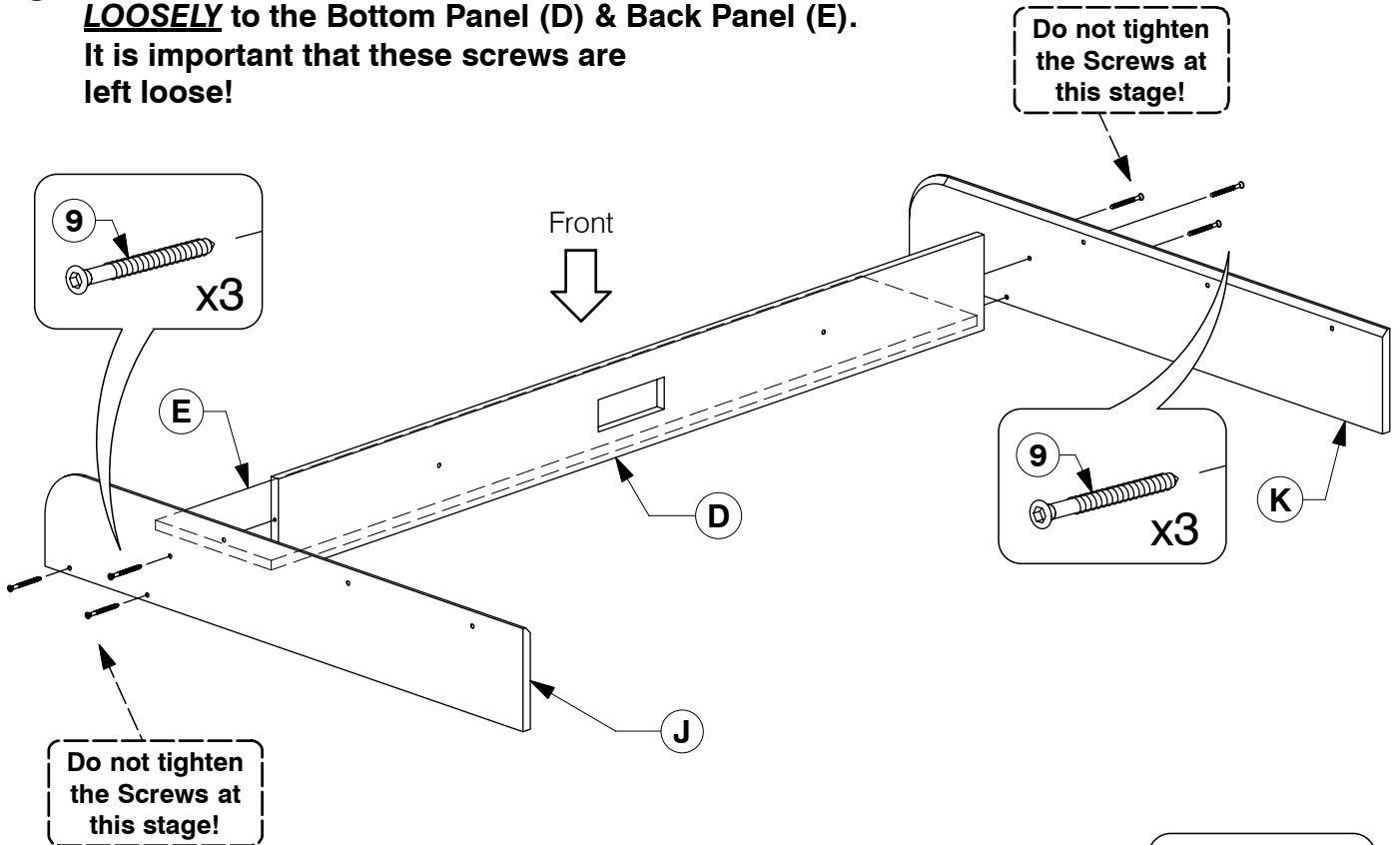


0080 S Full Bed

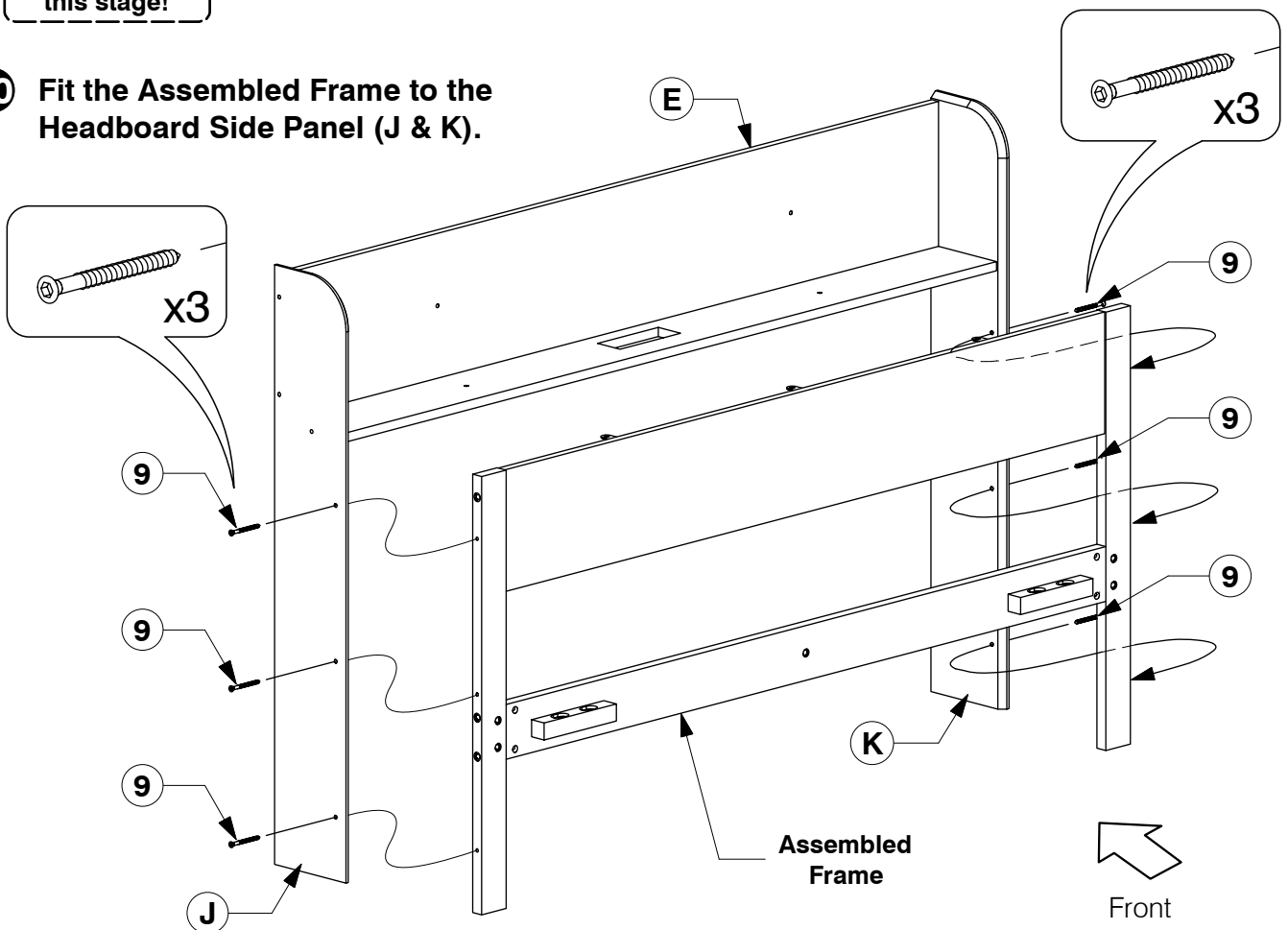
Assembly Instructions

WI-0421

- 9** Assembled the Headboard Side Panel (J & K) **LOOSELY** to the Bottom Panel (D) & Back Panel (E). It is important that these screws are left loose!



- 10** Fit the Assembled Frame to the Headboard Side Panel (J & K).

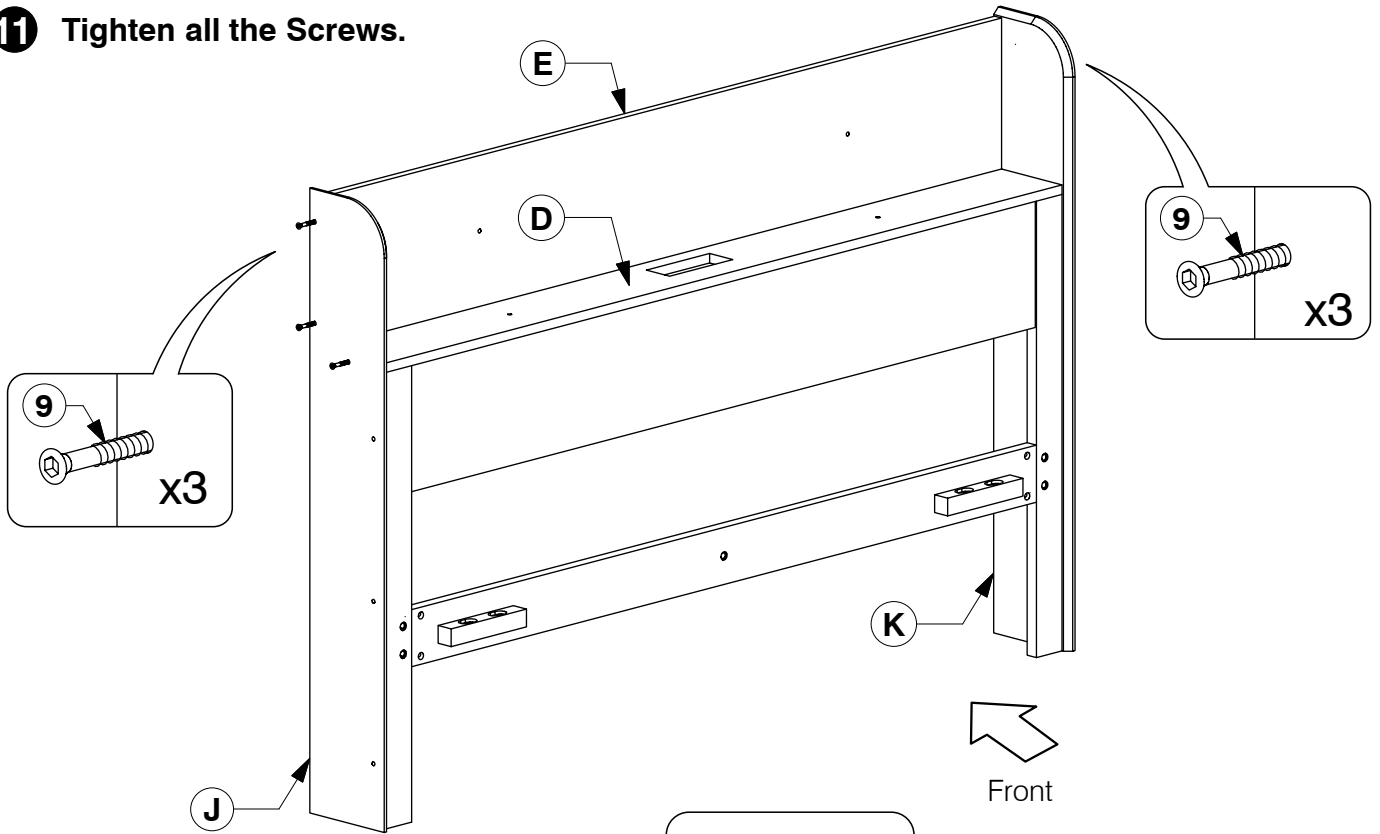


0080 S Full Bed

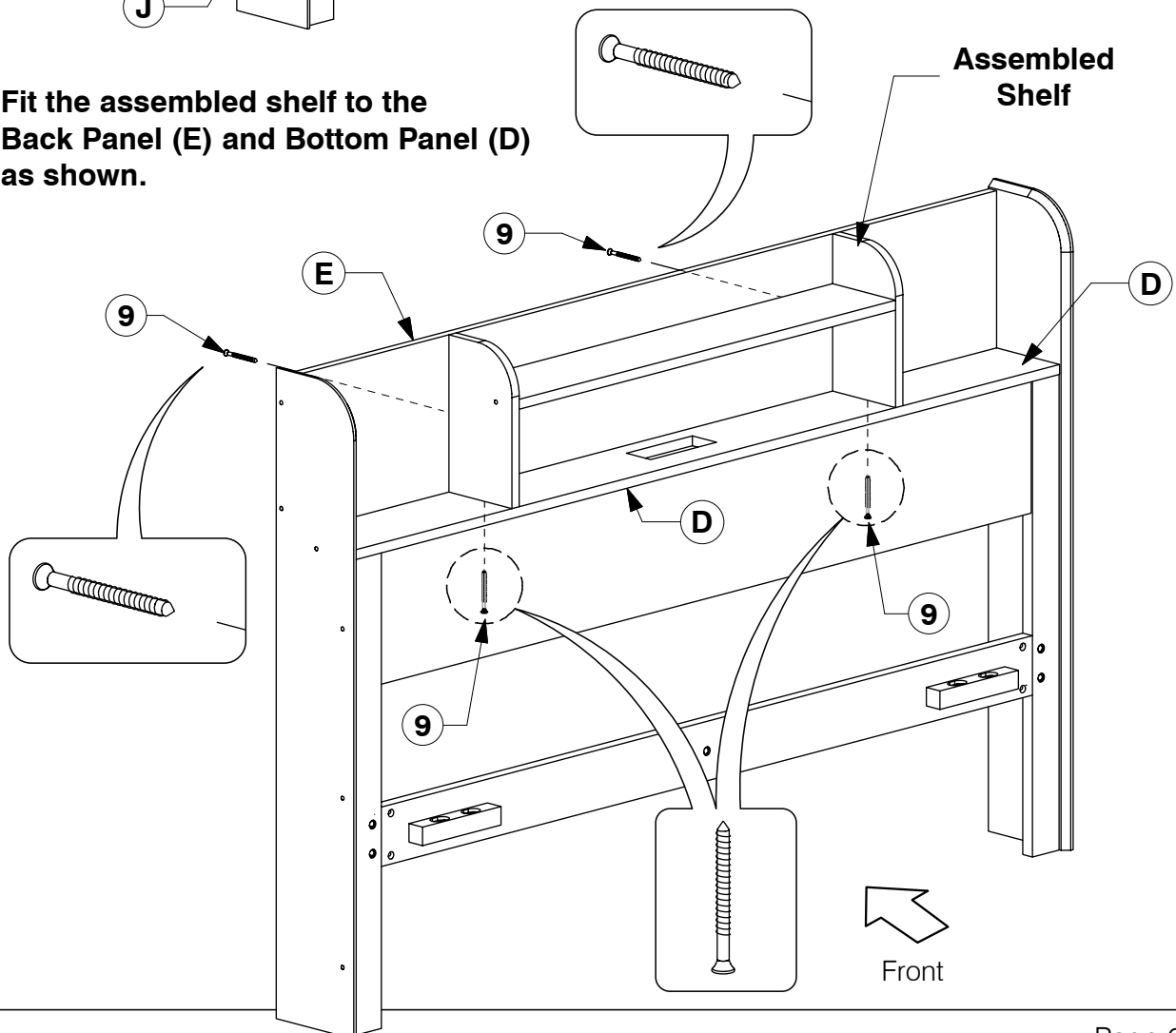
Assembly Instructions

WI-0421

11 Tighten all the Screws.



12 Fit the assembled shelf to the Back Panel (E) and Bottom Panel (D) as shown.

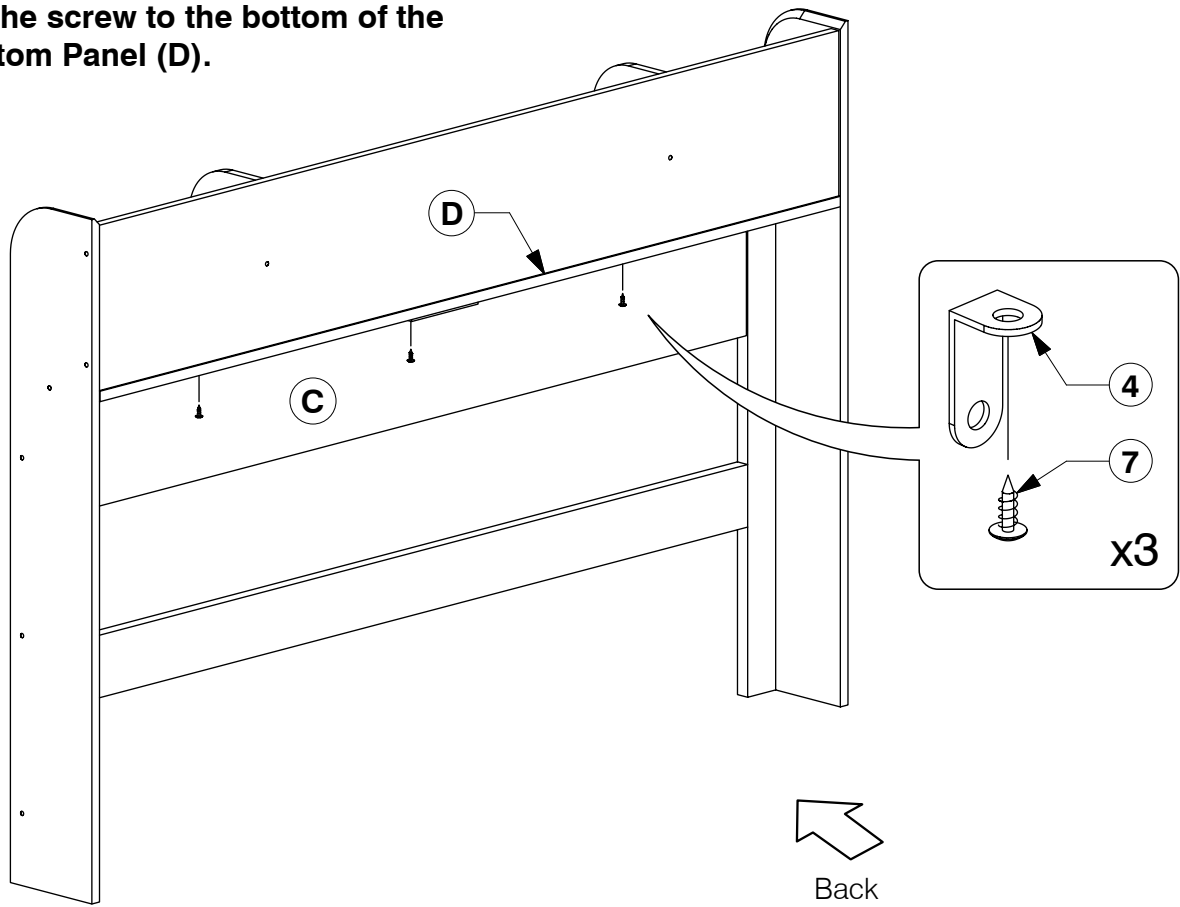


0080 S Full Bed

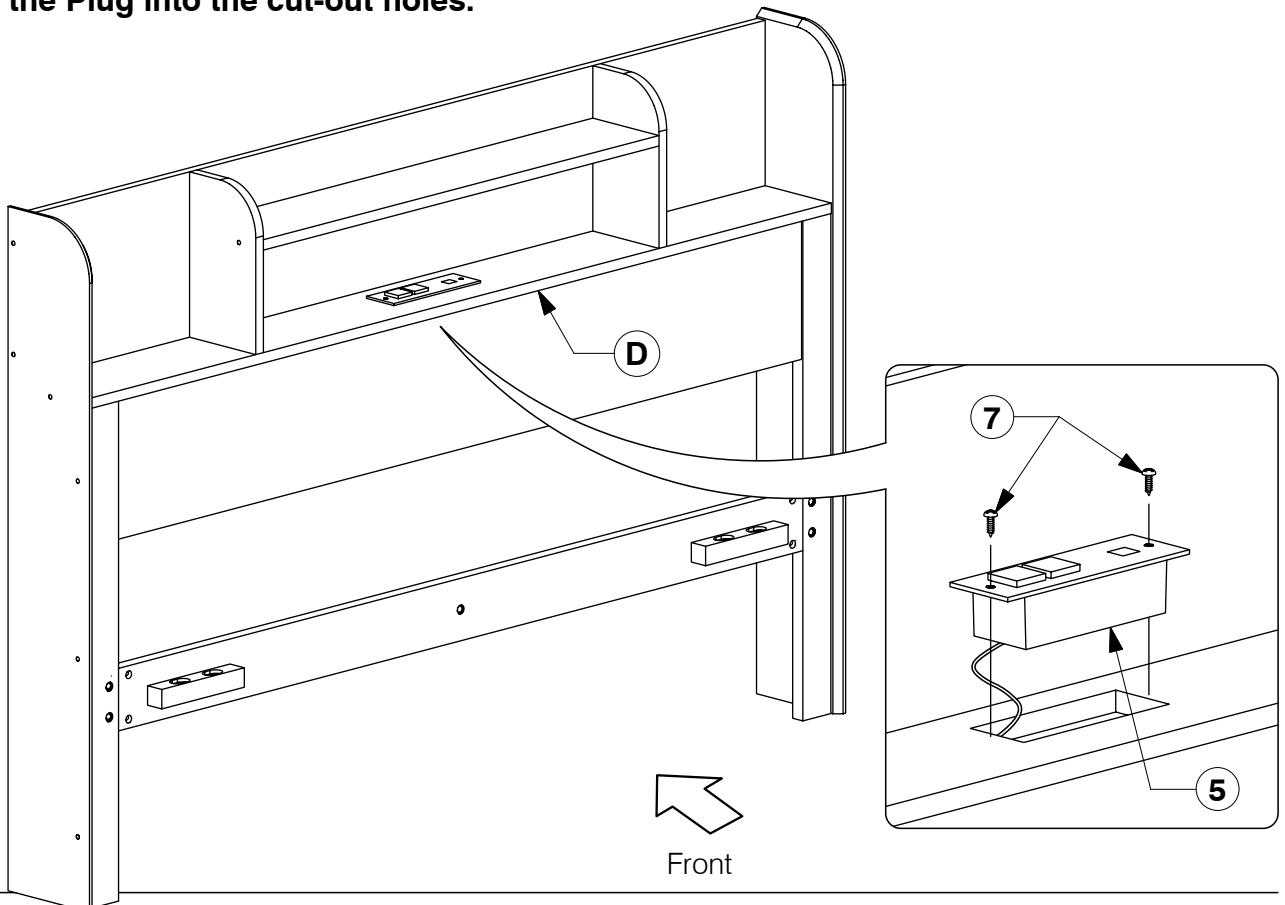
Assembly Instructions

WI-0421

- 13** Fit the screw to the bottom of the Bottom Panel (D).



- 14** Fit the Plug into the cut-out holes.



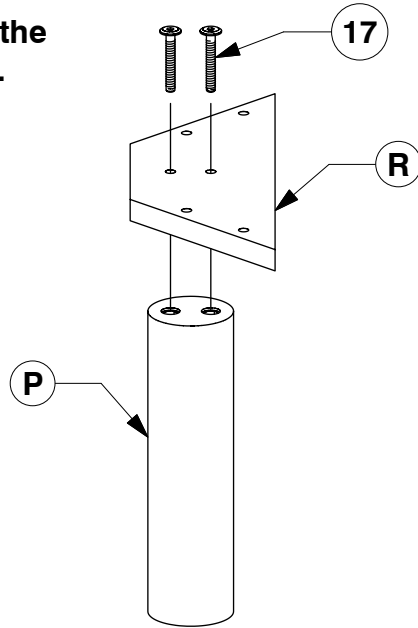
0080 S Full Bed

Assembly Instructions

WI-0421

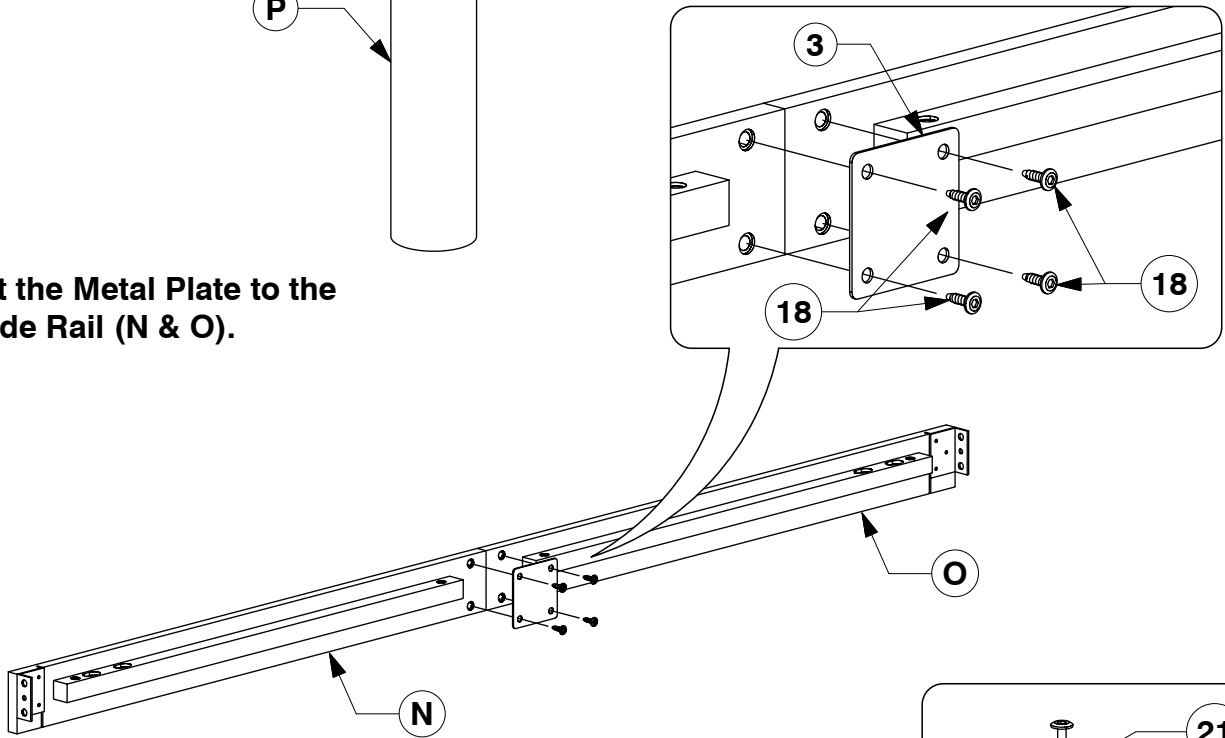
- 15** Fit the Post (P) to the Support Panel (R).

x4



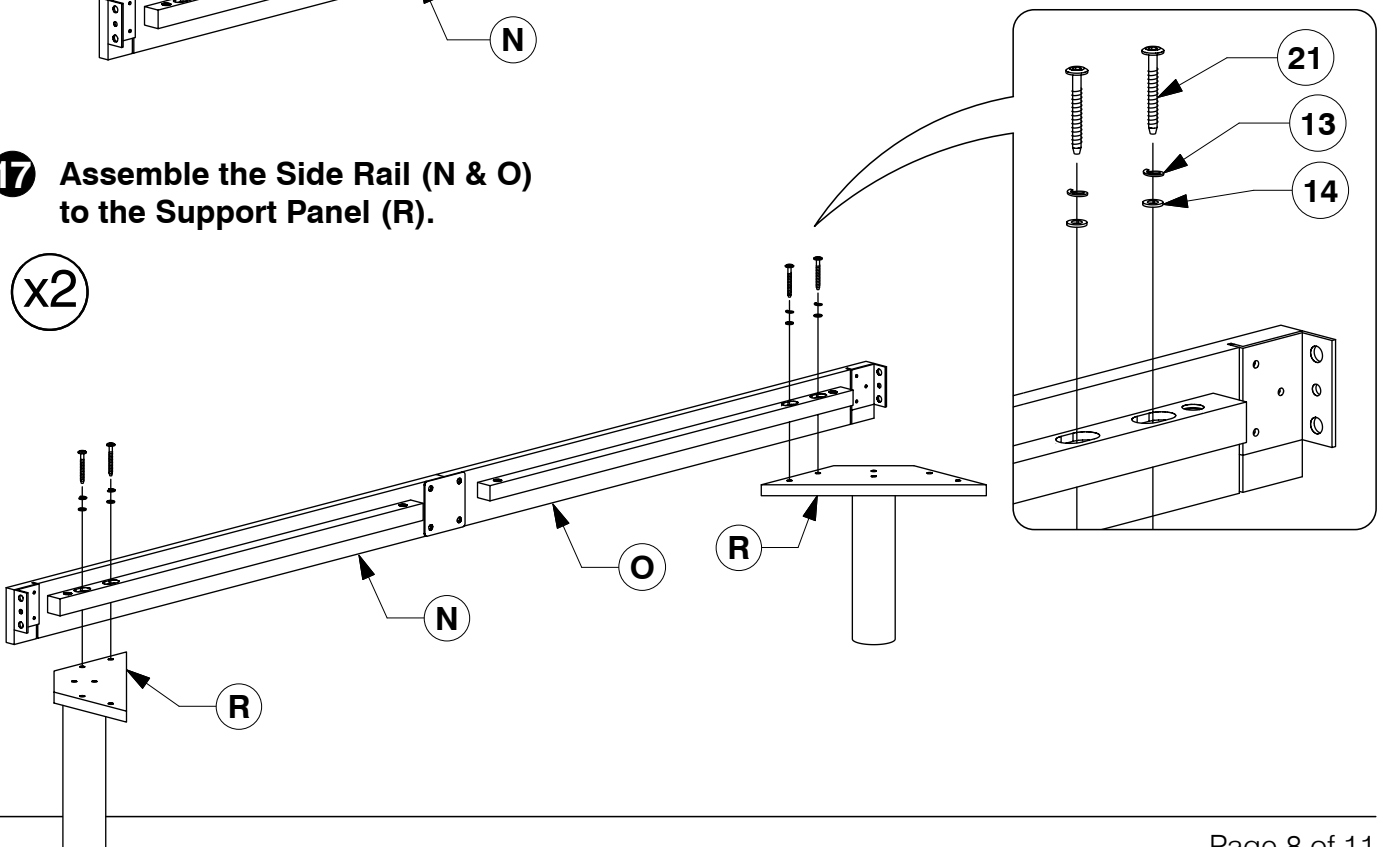
- 16** Fit the Metal Plate to the Side Rail (N & O).

x2



- 17** Assemble the Side Rail (N & O) to the Support Panel (R).

x2

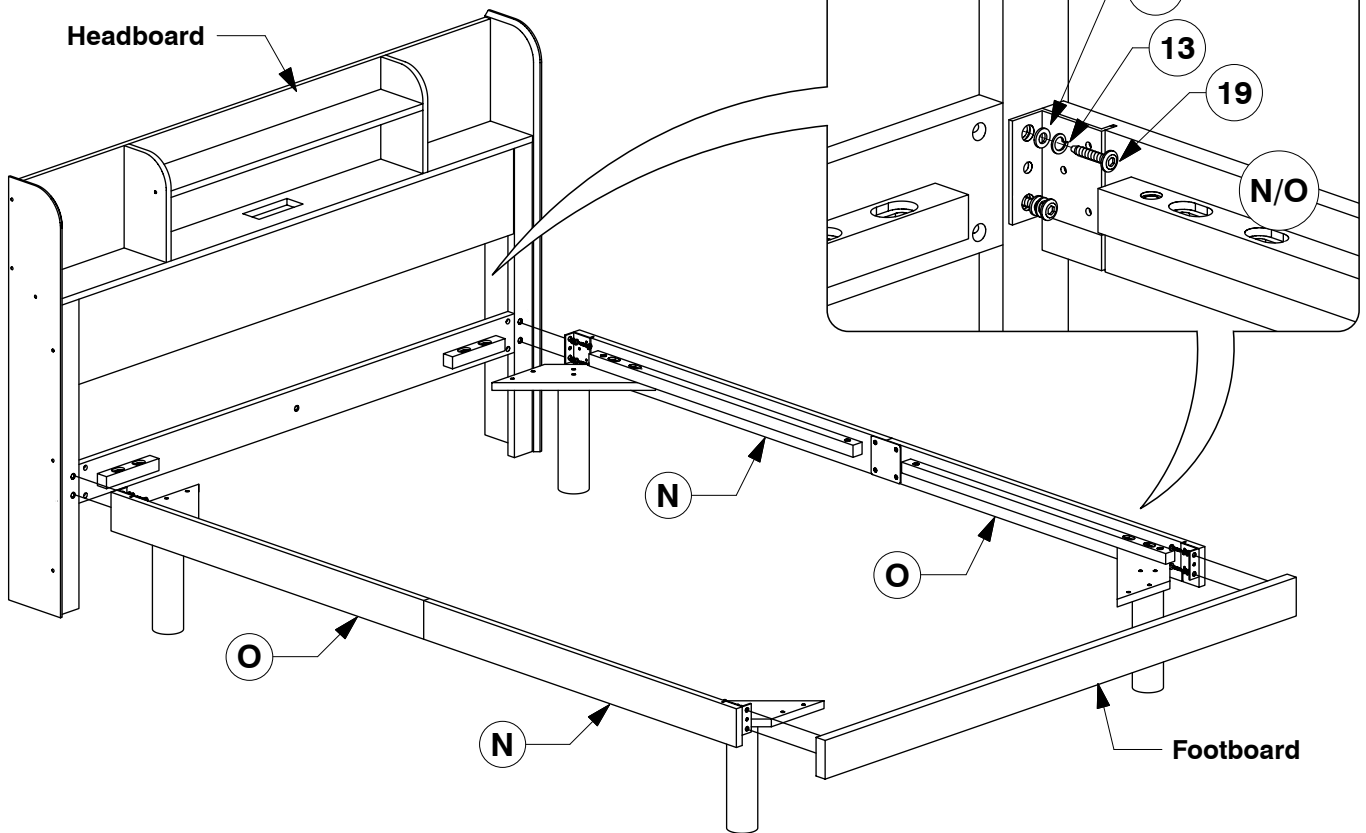


0080 S Full Bed

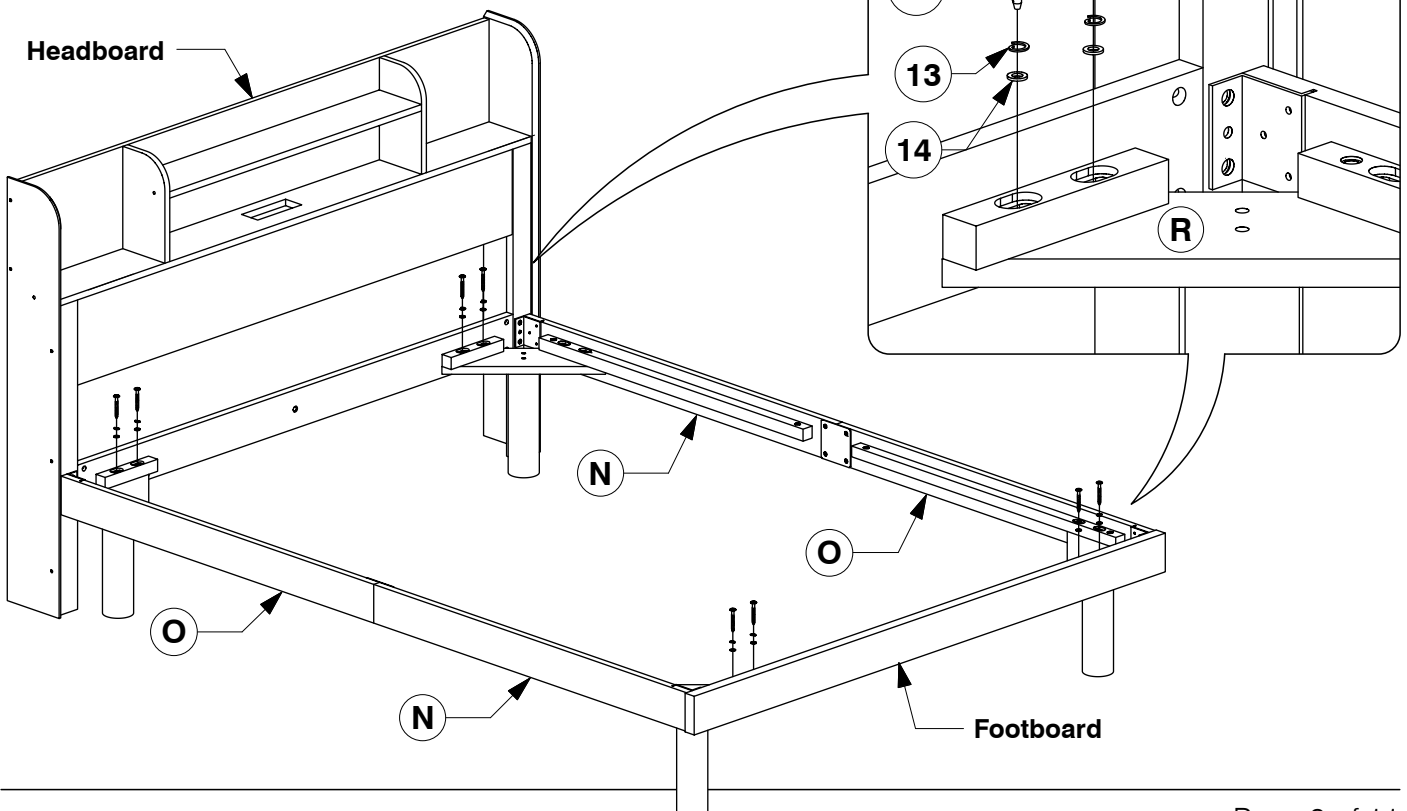
Assembly Instructions

WI-0421

18 Assemble the Side Rail (N & O) to the Headboard & Footboard.



19 Bolt the Support Panel (R) to the Headboard & Footboard.

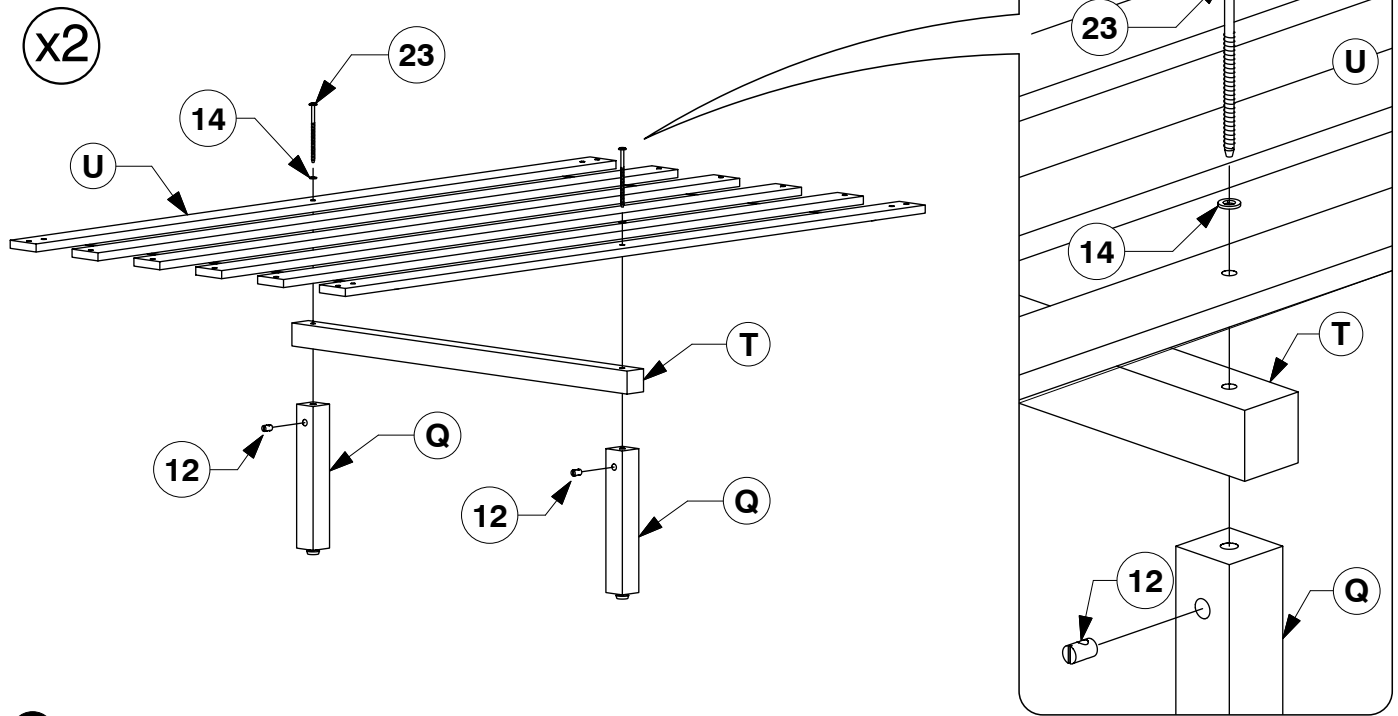


0080 S Full Bed

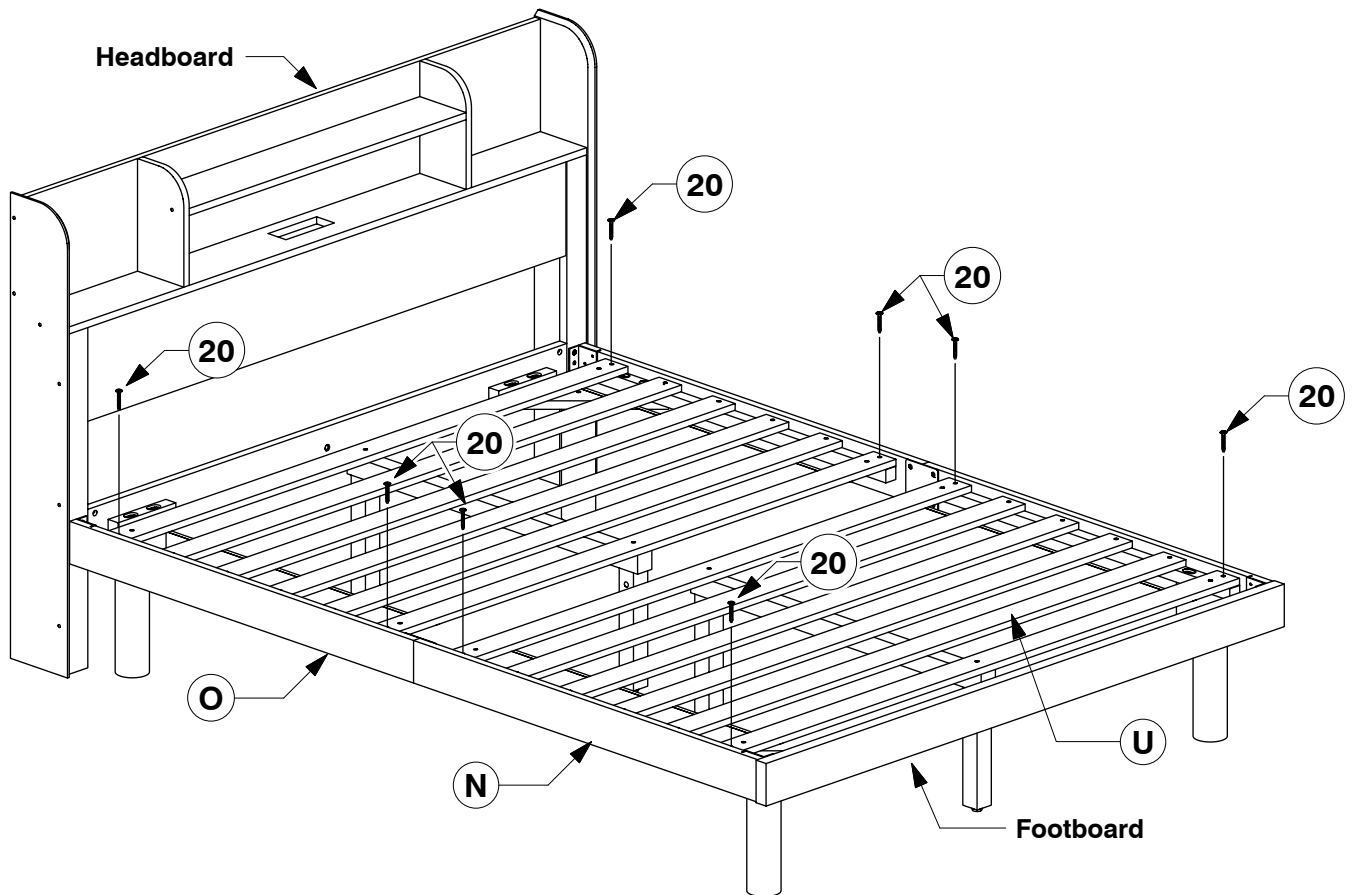
Assembly Instructions

WI-0421

- 20** Fit the Slats (U) to the Long Support (T) & Support Leg (Q).



- 21** Bolt the Bed Slats (U) to the Side Rail (N & O).

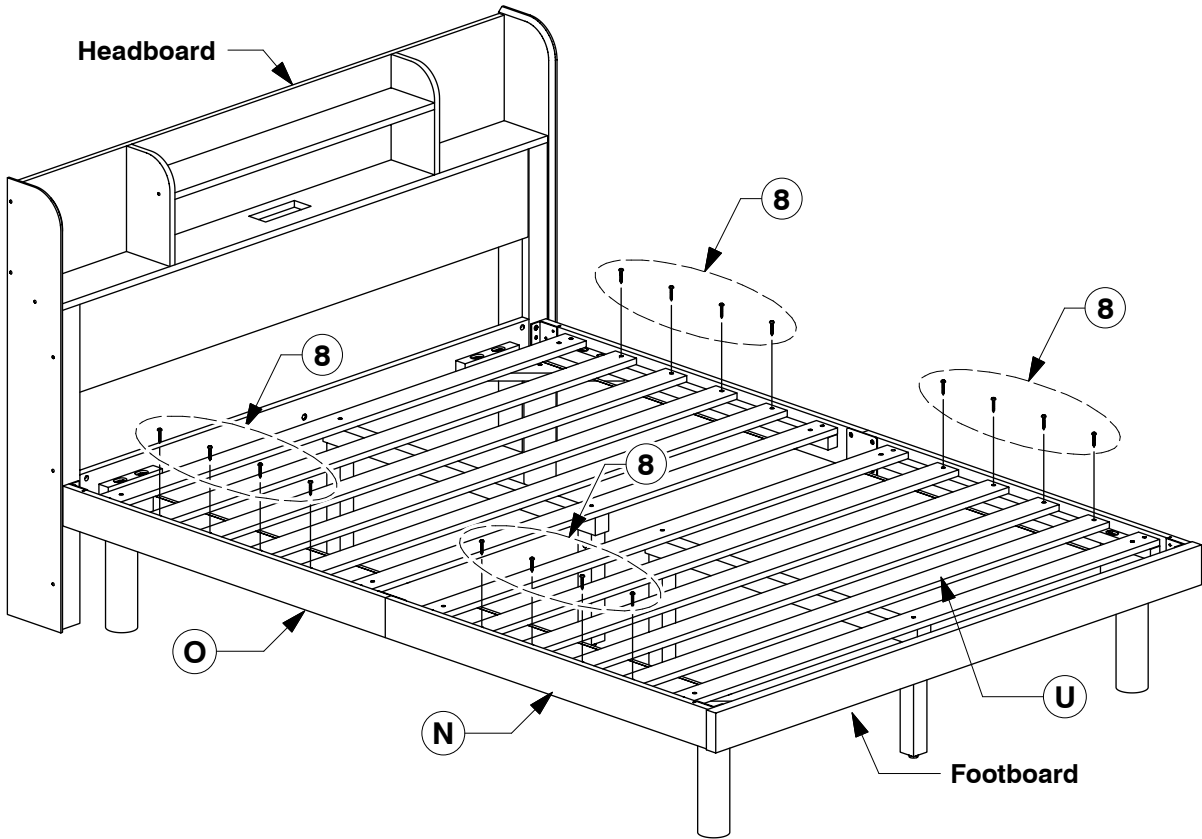


0080 S Full Bed

Assembly Instructions

WI-0421

22 Screw the Bed Slats (U) to the Side Rail (N & O).



23 Lastly, fit the Support Bar (S) in place.

