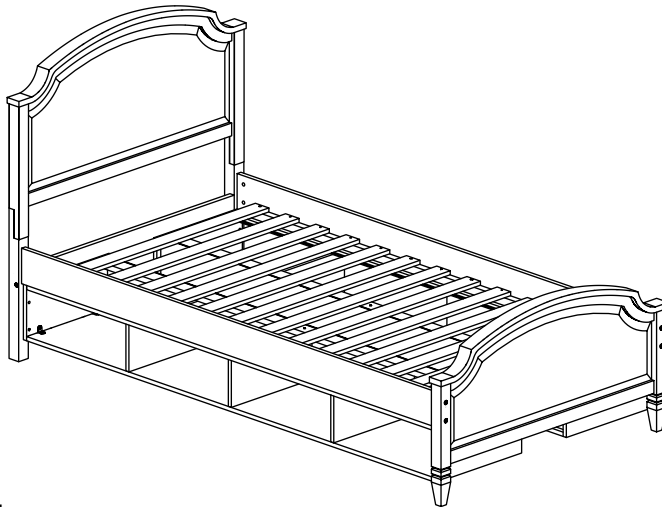


# 0038 Twin Bed

## Assembly Instructions

WII-0120

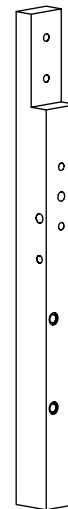
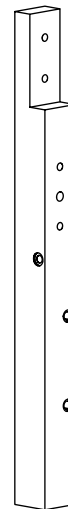
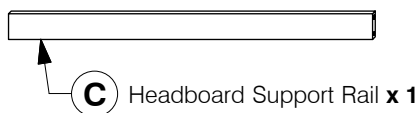
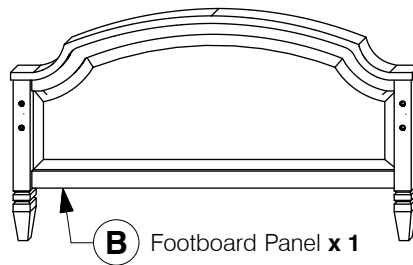
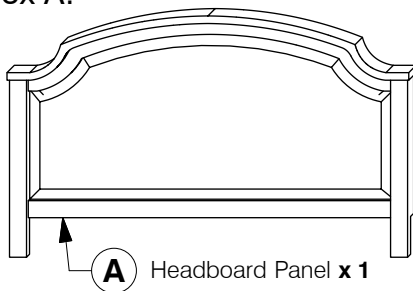
### 1 Assembled View



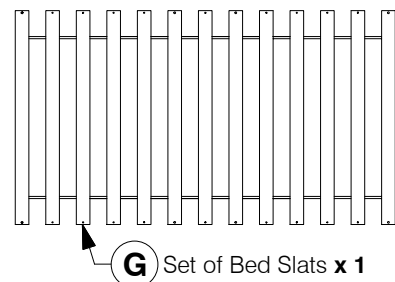
**Note:** Do not assemble using power tools. This can cause the bolts to be overtightened

### 2 Parts List

#### Parts in Box A:



#### Parts in Box B:



# 0038 Twin Bed

## Assembly Instructions

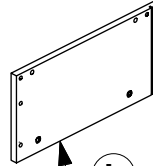
WII-0120

### 2 Parts List

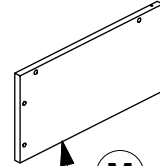
Parts in Box C:



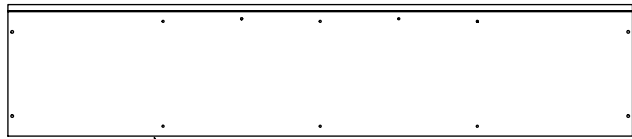
**H** Storage Back Panel x 2



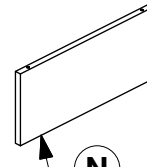
**L**  
Storage Side Panel  
(Left Hand)  
x 2



**M**  
Storage Side Panel  
(Right Hand)  
x 2



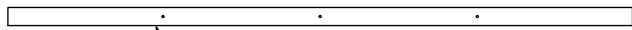
**J** Storage Bottom Panel x 2



**N**  
Storage Divider  
x 6



**O**  
Storage Foot  
x 4



**K** Storage Support Rail x 4

### 3 Hardware List



**1** M4 Allen Key  
x 1



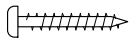
**2** 'L' Bracket  
x 8



**3** Barrel  
Nut x 10



**4** Wood Screw  
(M4 x 16mm)  
x 12



**5** Wood Screw  
(M4 x 32mm)  
x 12



**6** Wood Dowel  
(M8 x 30mm)  
x 8



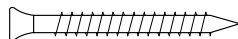
**7** Wood Dowel  
(M10 x 40mm)  
x 6



**8** Spring  
Washer  
x 4



**9** Flat Washer  
x 4



**10** CSK Cap Wood Screw  
(M6 x 50mm) x 24



**11** M6 x 15mm  
JCB x 16



**12** M6 x 30mm  
JCB x 8



**13** M6 x 40mm JCB  
x 22



**14** M6 x 60mm JCB  
x 8



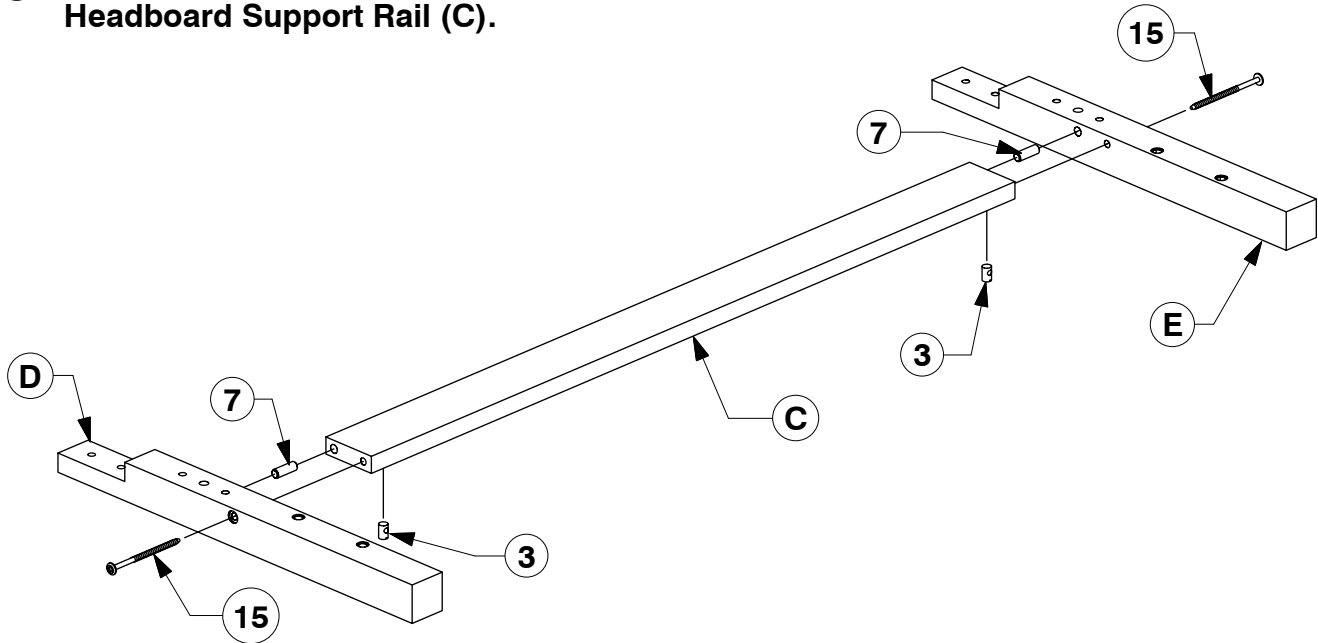
**15** M6 x 90mm JCB  
x 10

# 0038 Twin Bed

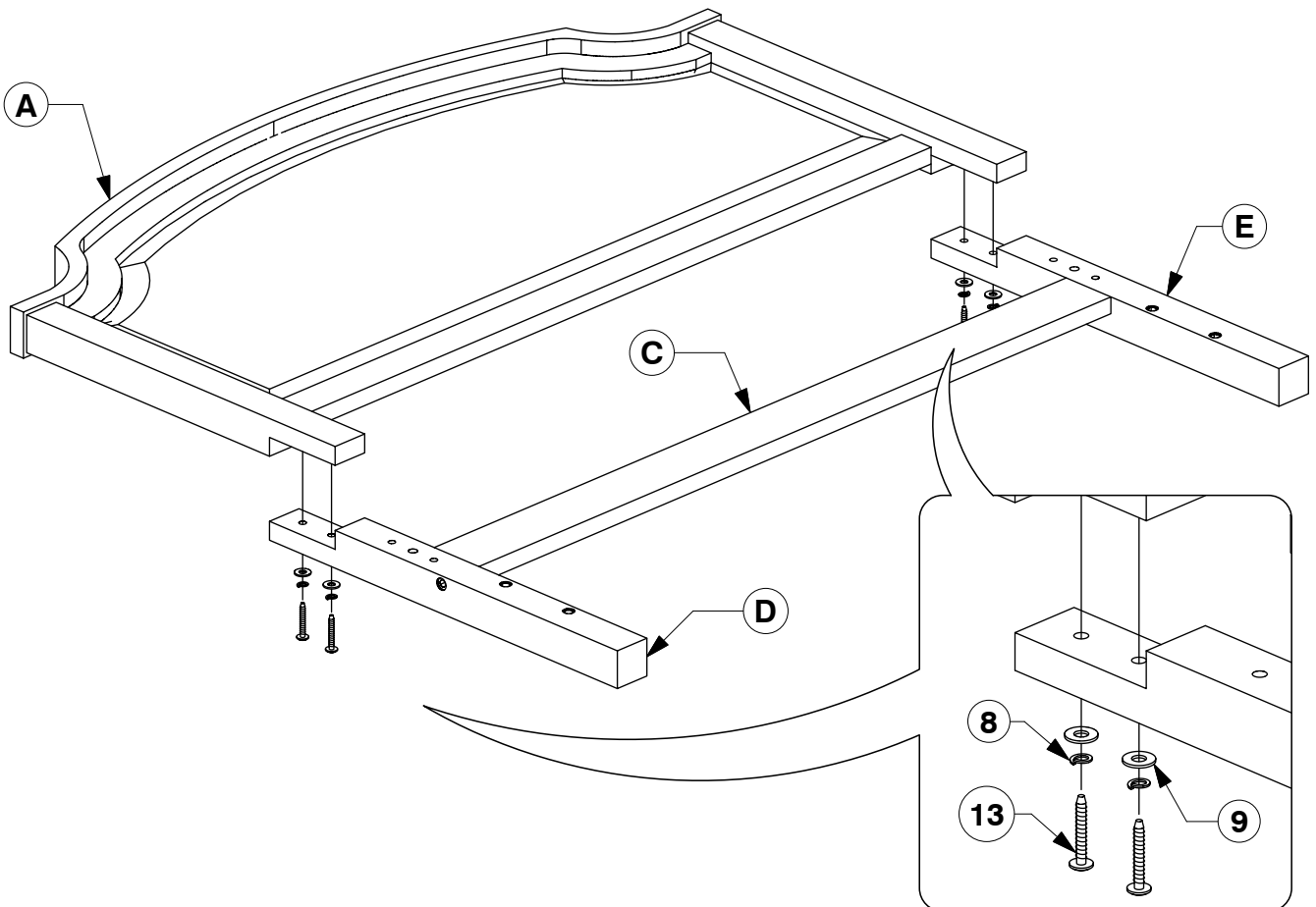
## Assembly Instructions

WII-0120

- 4** Fit the Lower Headboard Post (D & E) to the Headboard Support Rail (C).



- 5** Fit the Headboard Panel (A) to the Headboard Post (D & E).

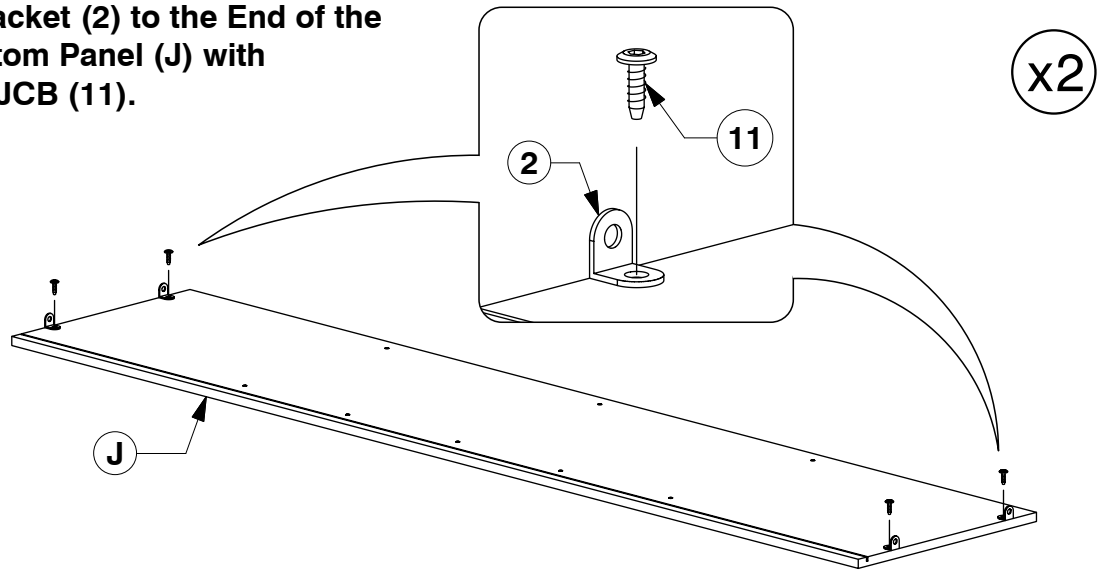


# 0038 Twin Bed

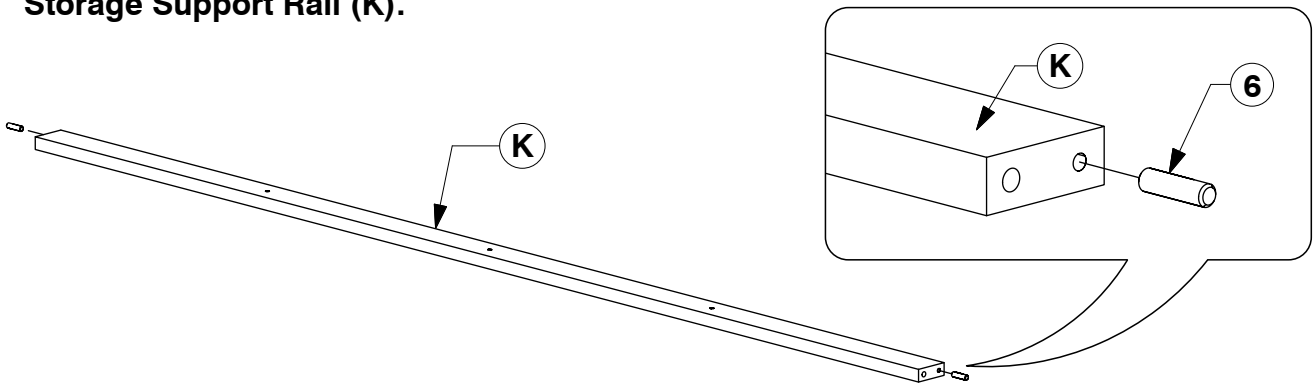
## Assembly Instructions

WII-0120

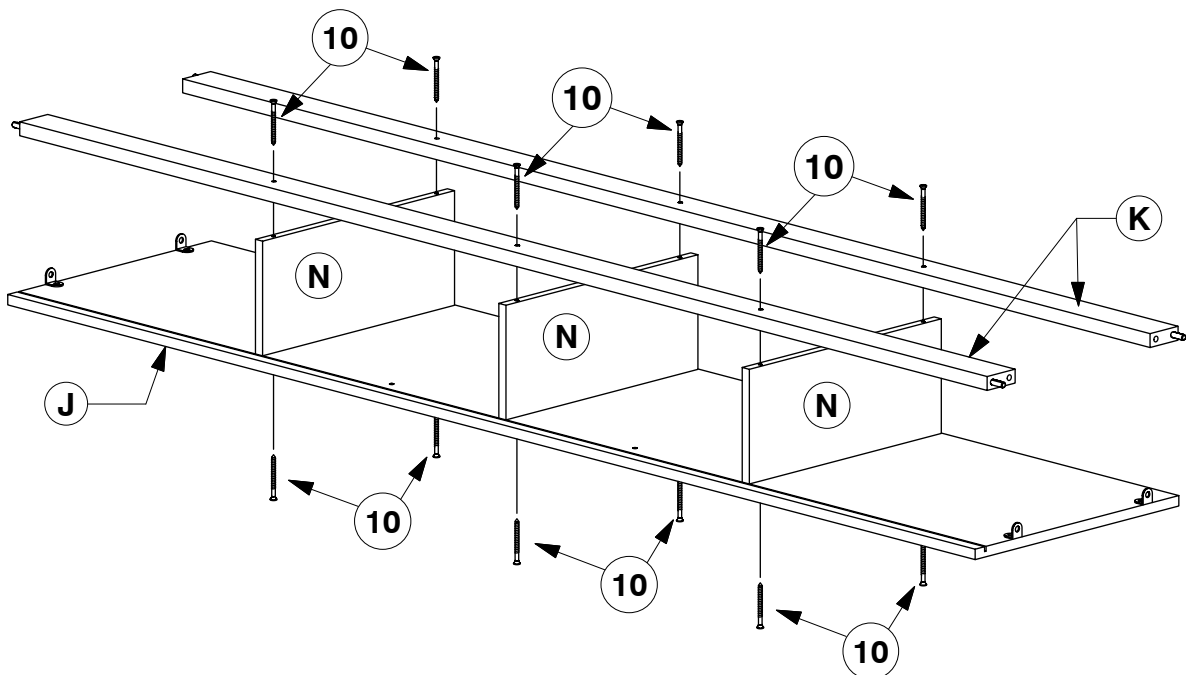
- 6** Fit the 'L' Bracket (2) to the End of the Storage Bottom Panel (J) with M6 x 15mm JCB (11).



- 7** Tap the Wood Dowel (6) to the end of the Storage Support Rail (K).



- 8** Assemble the Storage Bottom Panel (J) & Support Rail (K) to the Storage Divider (N).



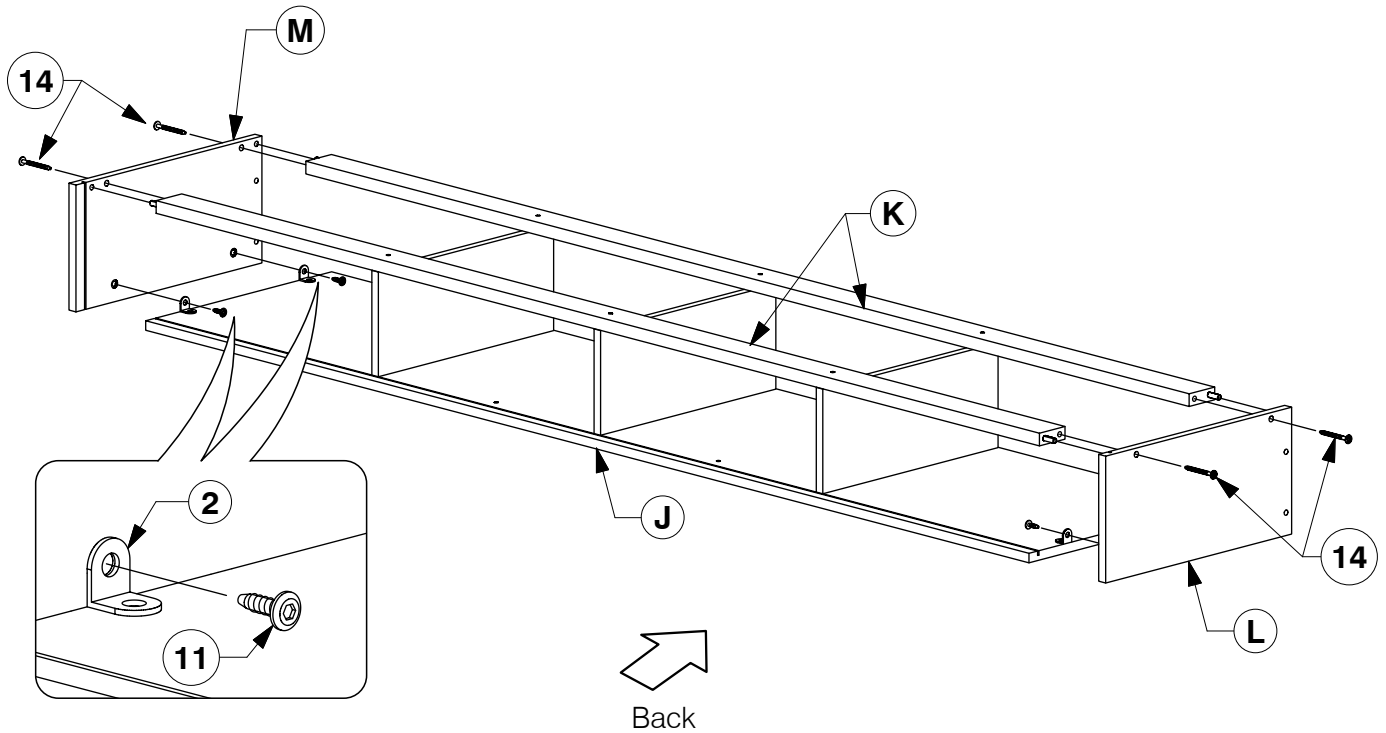
# 0038 Twin Bed

## Assembly Instructions

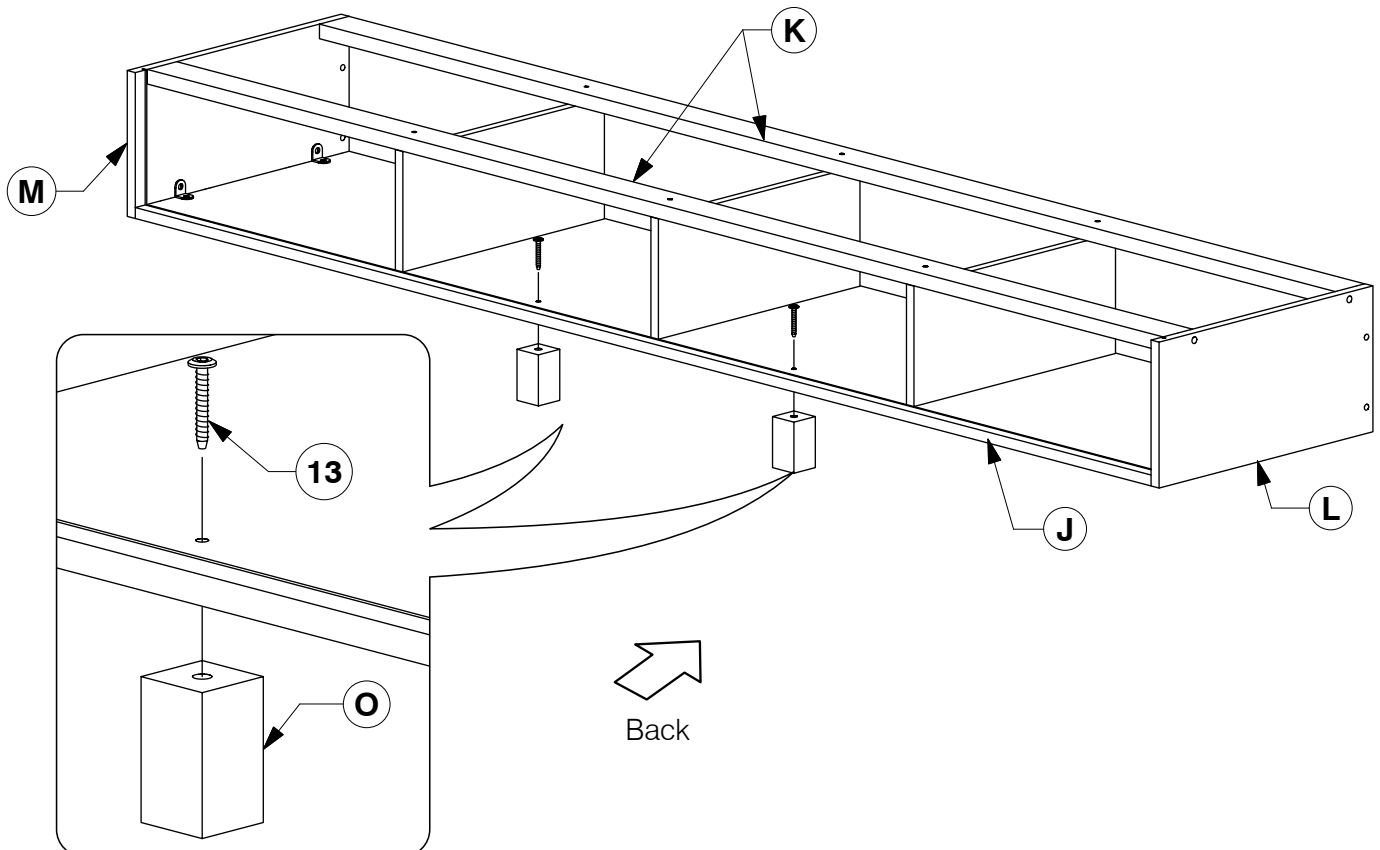
W11-0120

- 9** Assemble the Storage Side Panel (L & M) to the Storage Bottom Panel & Support Rail (J & K).

x2



- 10** Fit the Storage Foot (O) to the Storage Bottom Panel (J).

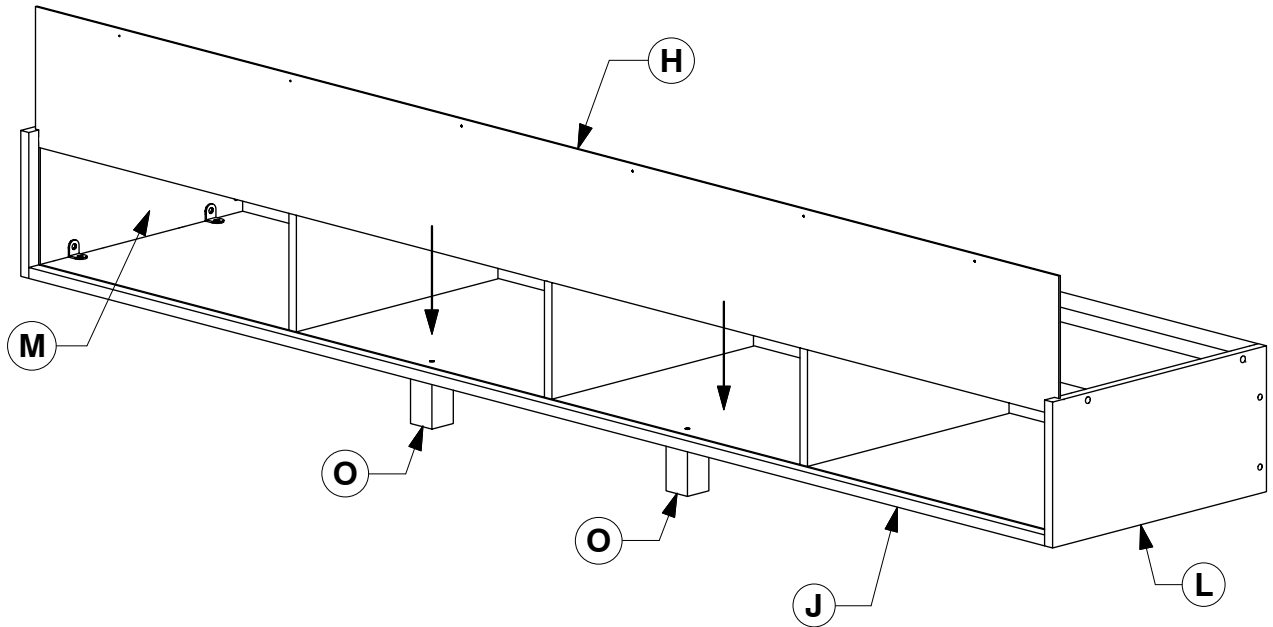


# 0038 Twin Bed

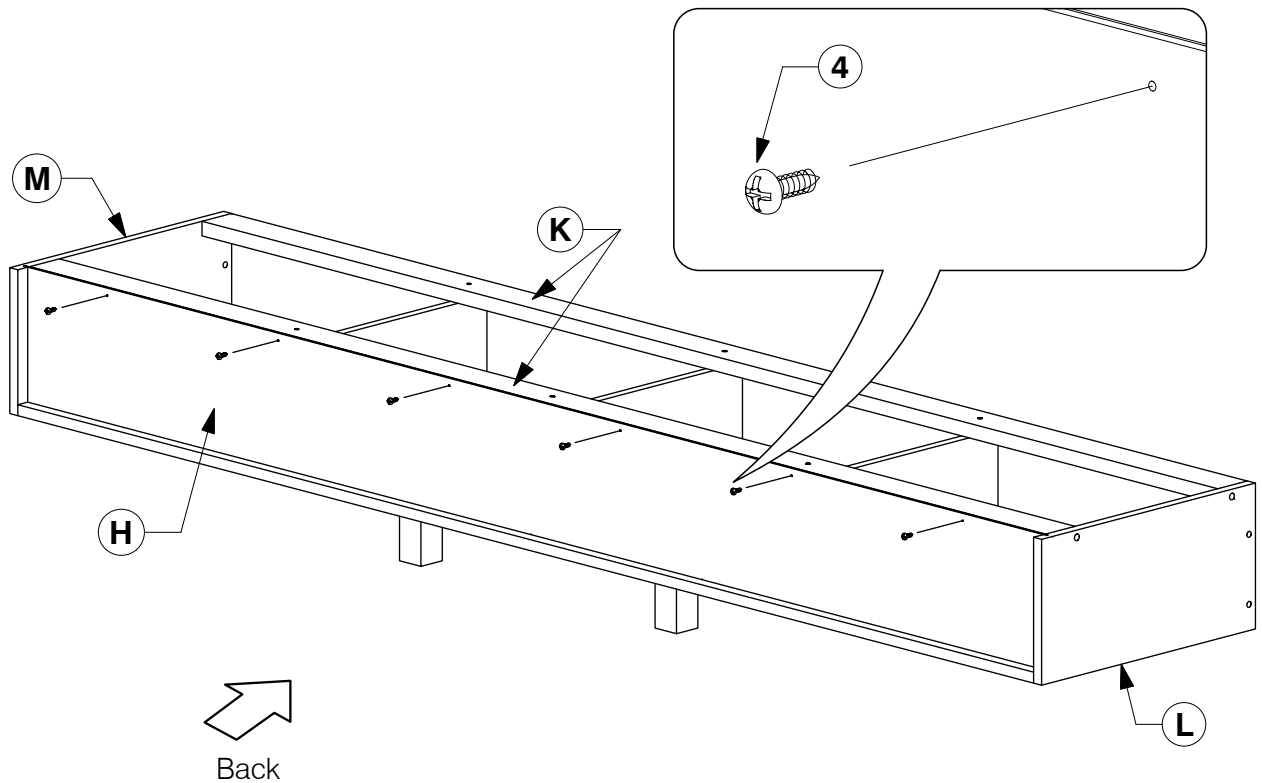
## Assembly Instructions

WII-0120

- 11** Slide the Storage Back Panel (H) into the groove.



- 12** Fit the Storage Back Panel (H) in place.

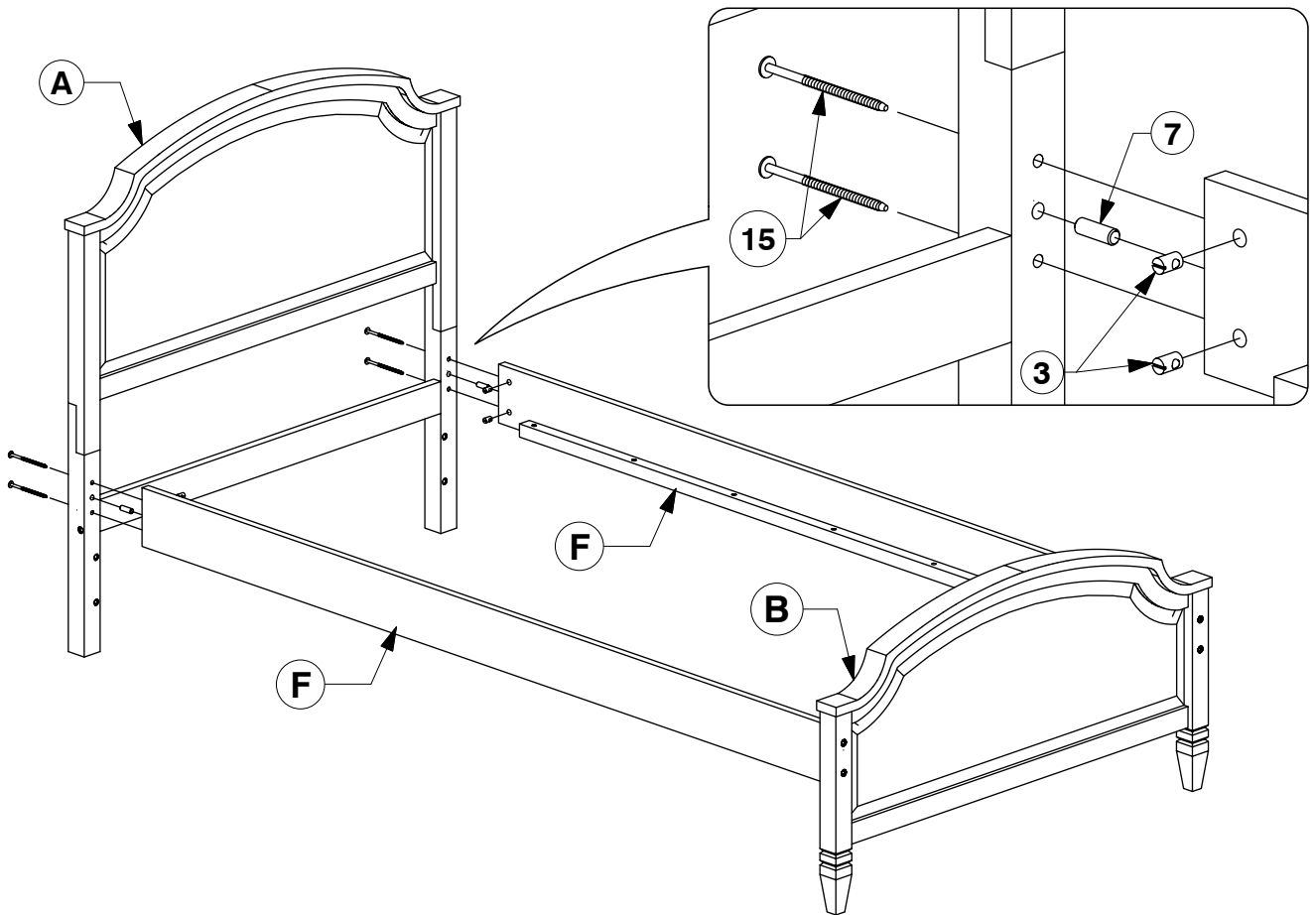


# 0038 Twin Bed

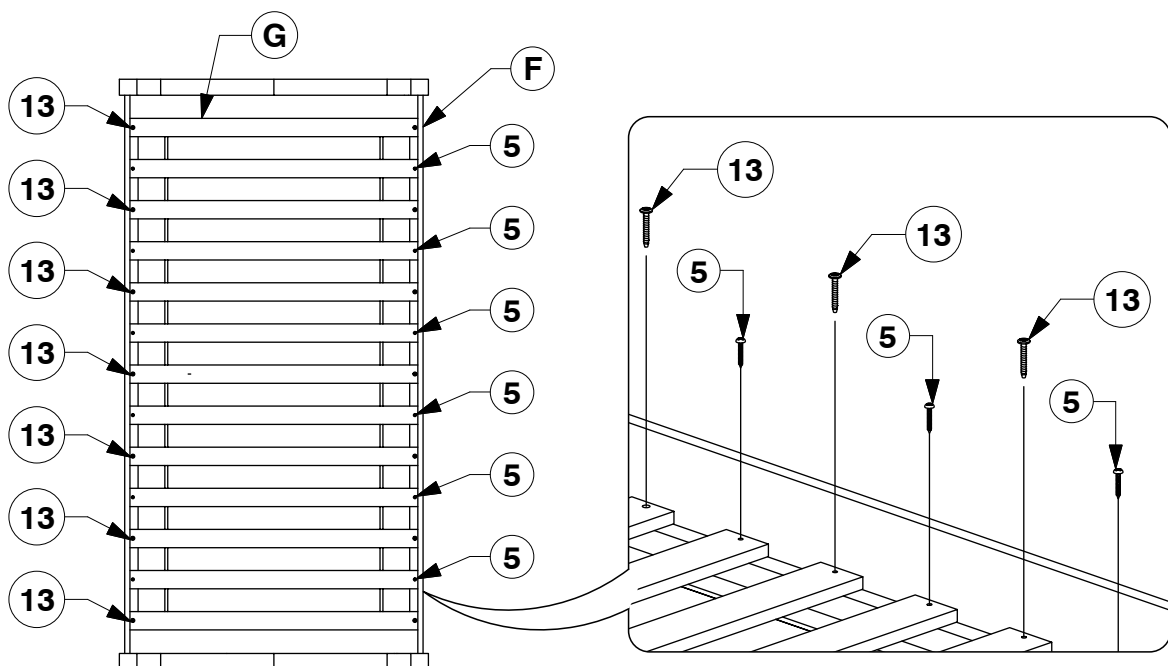
## Assembly Instructions

W11-0120

- 13** Assemble the Side Rail (F) to the Headboard / Footboard (A & B).



- 14** Bolt & screw the Bed Slats (G) to the Side Rail (F).

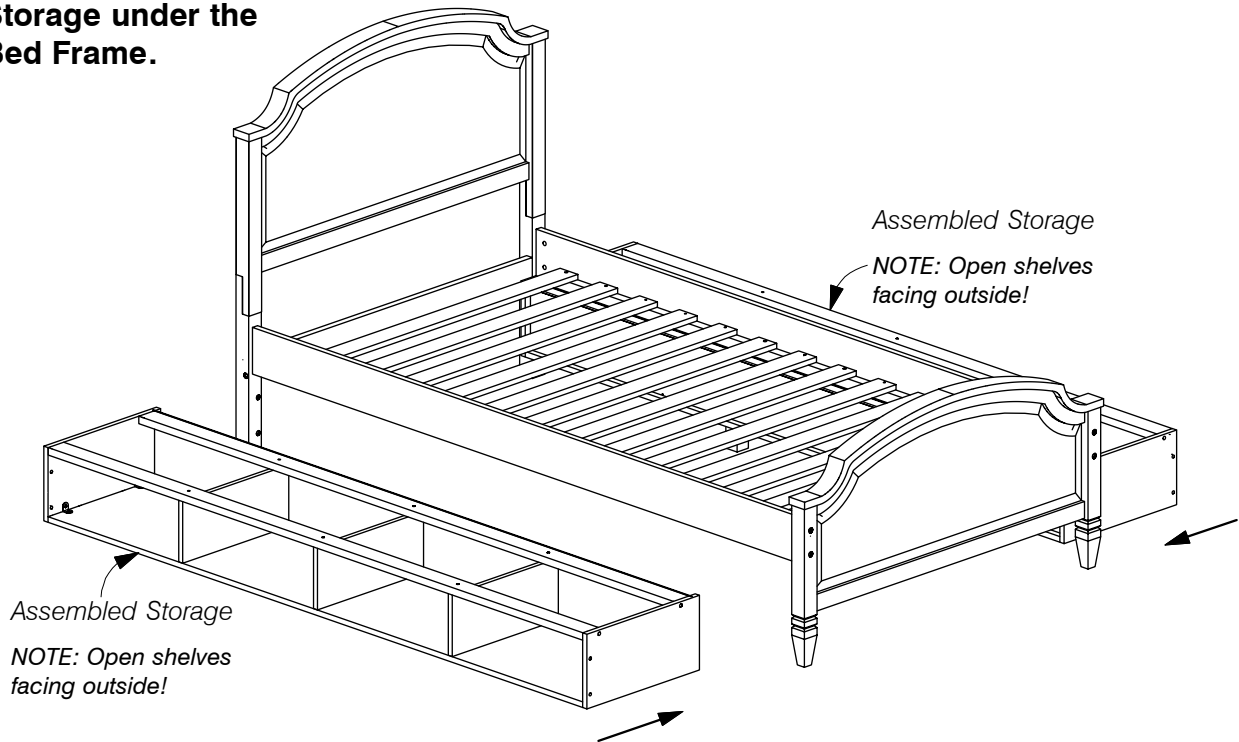


# 0038 Twin Bed

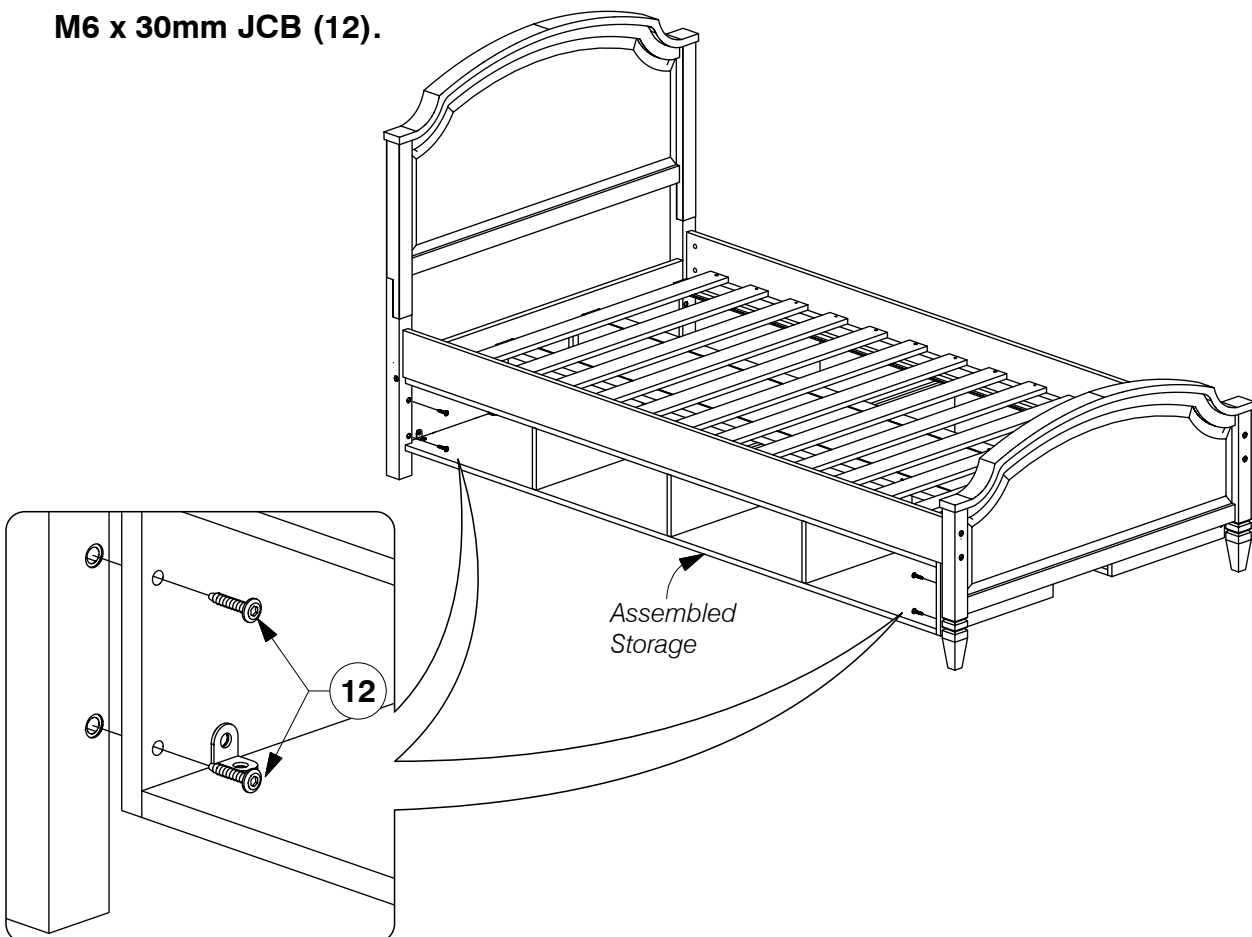
## Assembly Instructions

WII-0120

- 15** Fit the Assembled Storage under the Bed Frame.



- 16** Bolt the Assembled Storage to the Bed Frame with M6 x 30mm JCB (12).

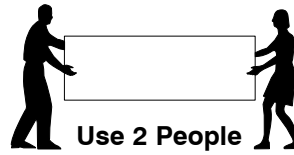
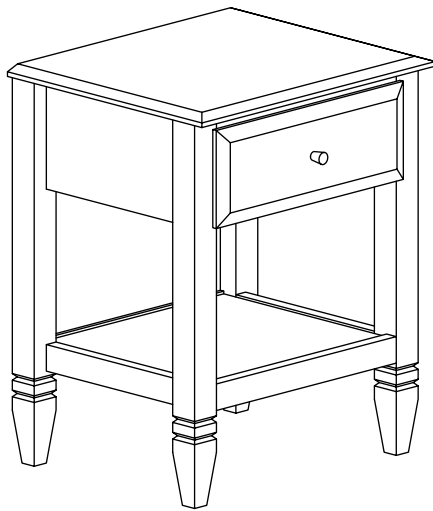




# 0038 Nightstand

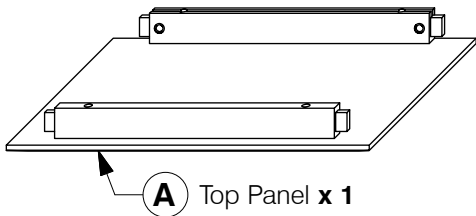
## Assembly Instructions

WII-0120

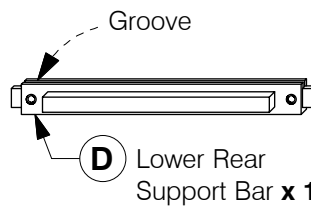


**Note:** Do not assemble using power tools. This can cause the bolts to be overtightened

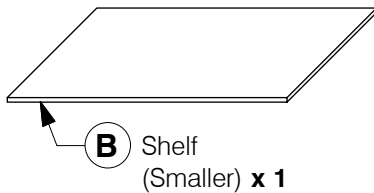
### 1 Parts List



**A** Top Panel x 1



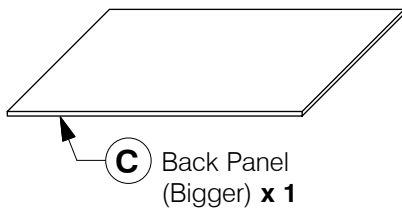
**D** Lower Rear Support Bar x 1



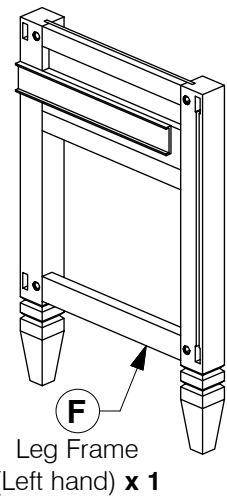
**B** Shelf (Smaller) x 1



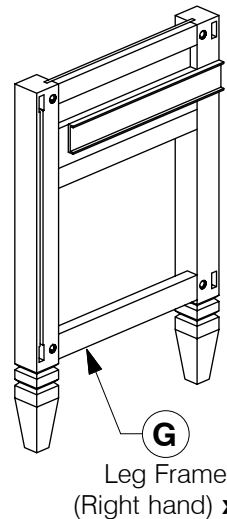
**E** Lower Front Support Bar x 1



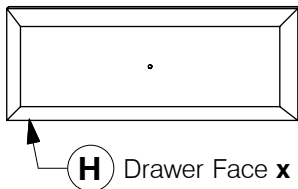
**C** Back Panel (Bigger) x 1



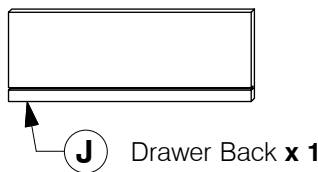
**F** Leg Frame (Left hand) x 1



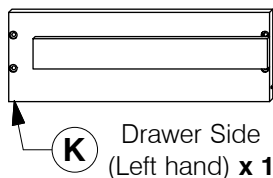
**G** Leg Frame (Right hand) x 1



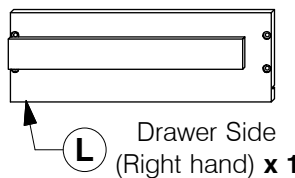
**H** Drawer Face x 1



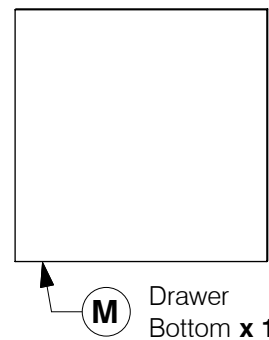
**J** Drawer Back x 1



**K** Drawer Side (Left hand) x 1



**L** Drawer Side (Right hand) x 1



**M** Drawer Bottom x 1

# 0038 Nightstand

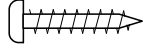
## Assembly Instructions

WII-0120

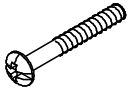
### 2 Hardware List



1 M6 x 15mm JCB  
x 16



2 M4 x 25mm Wood Screw  
x 8



3 M4 x 22mm Wood Screw  
x 1



4 'L' Bracket (5005-3)  
x 8

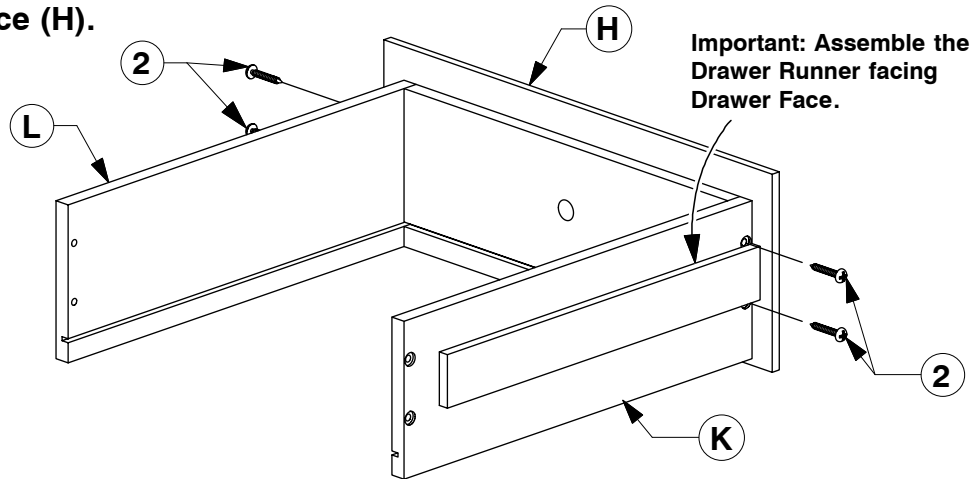


5 Handle (1005)  
x 1

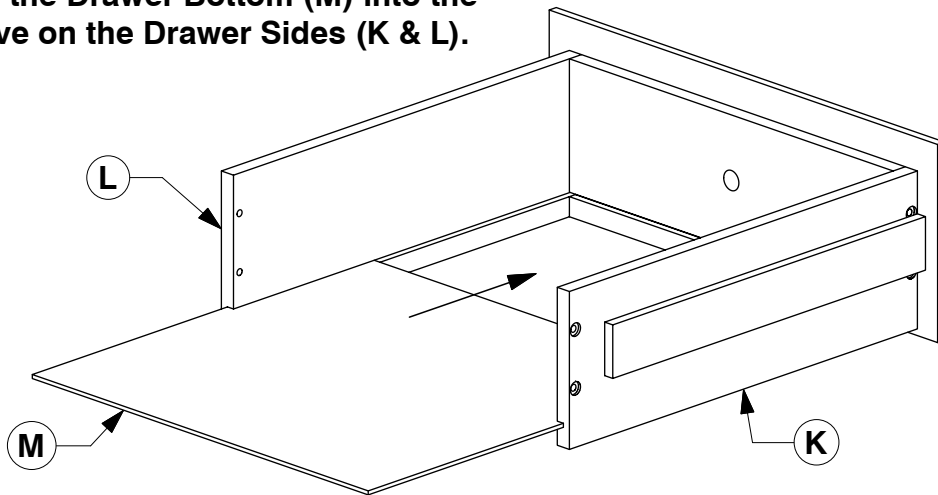


6 Allen Key  
x 1

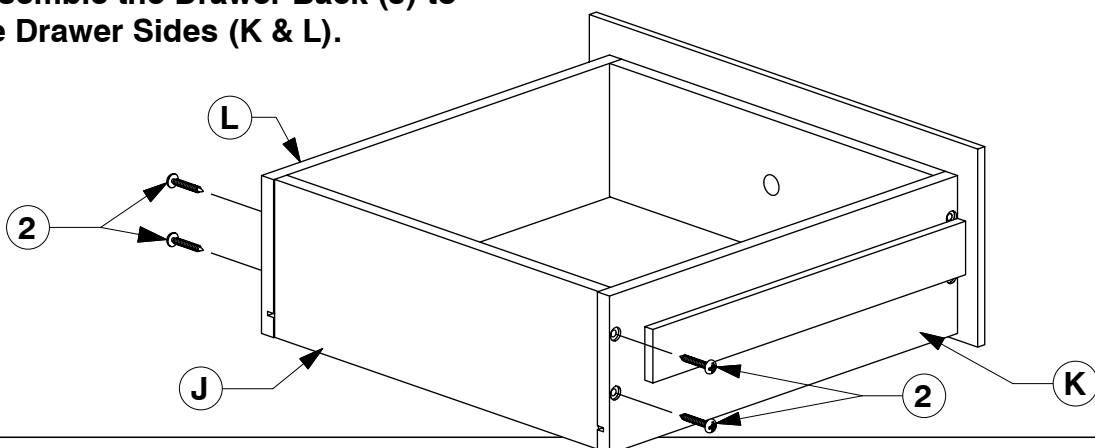
### 3 Assemble the Drawer Sides (K & L) to the Drawer Face (H).



### 4 Slide the Drawer Bottom (M) into the groove on the Drawer Sides (K & L).



### 5 Assemble the Drawer Back (J) to the Drawer Sides (K & L).

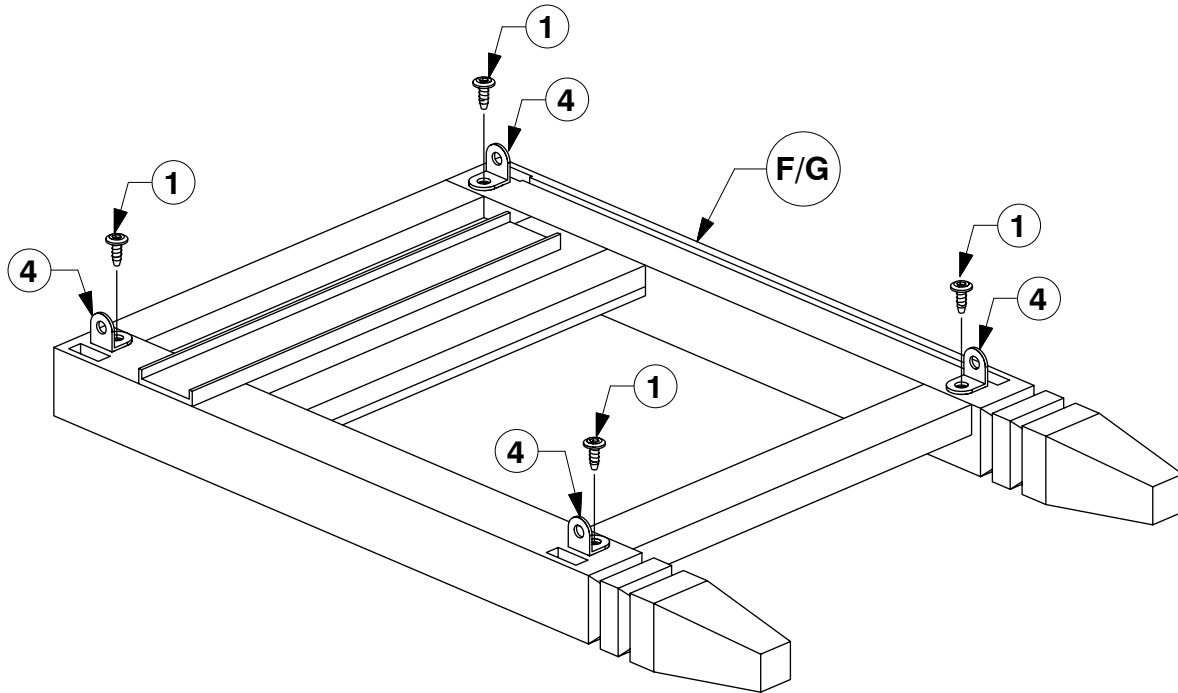


# 0038 Nightstand

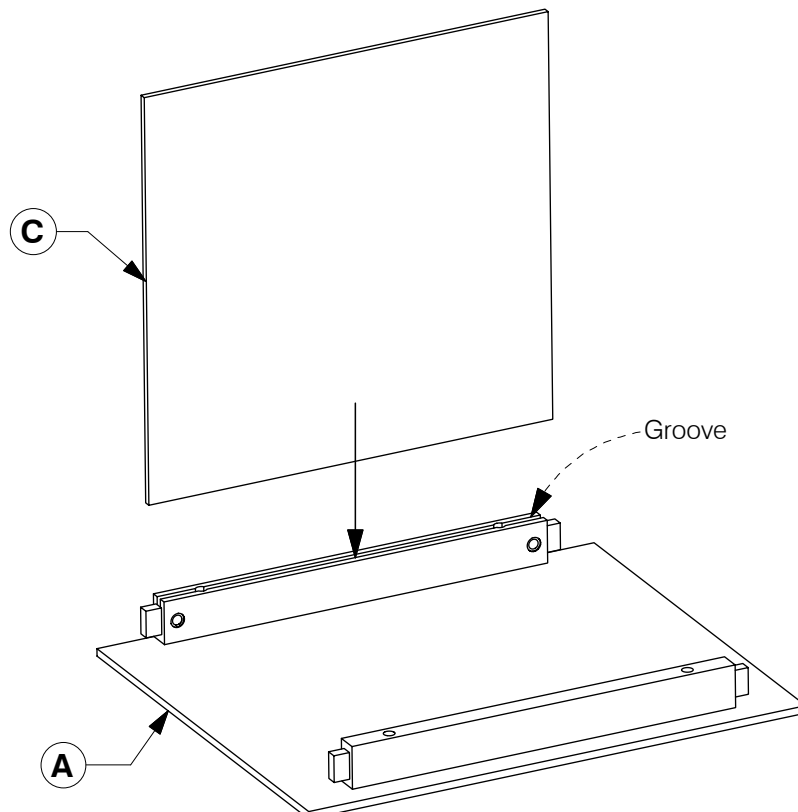
## Assembly Instructions

WII-0120

- 6** Fit the 'L' Bracket to the Left & Right hand Leg Frame (F & G).



- 7** Fit the Back Panel (C) to the Top Panel (A).

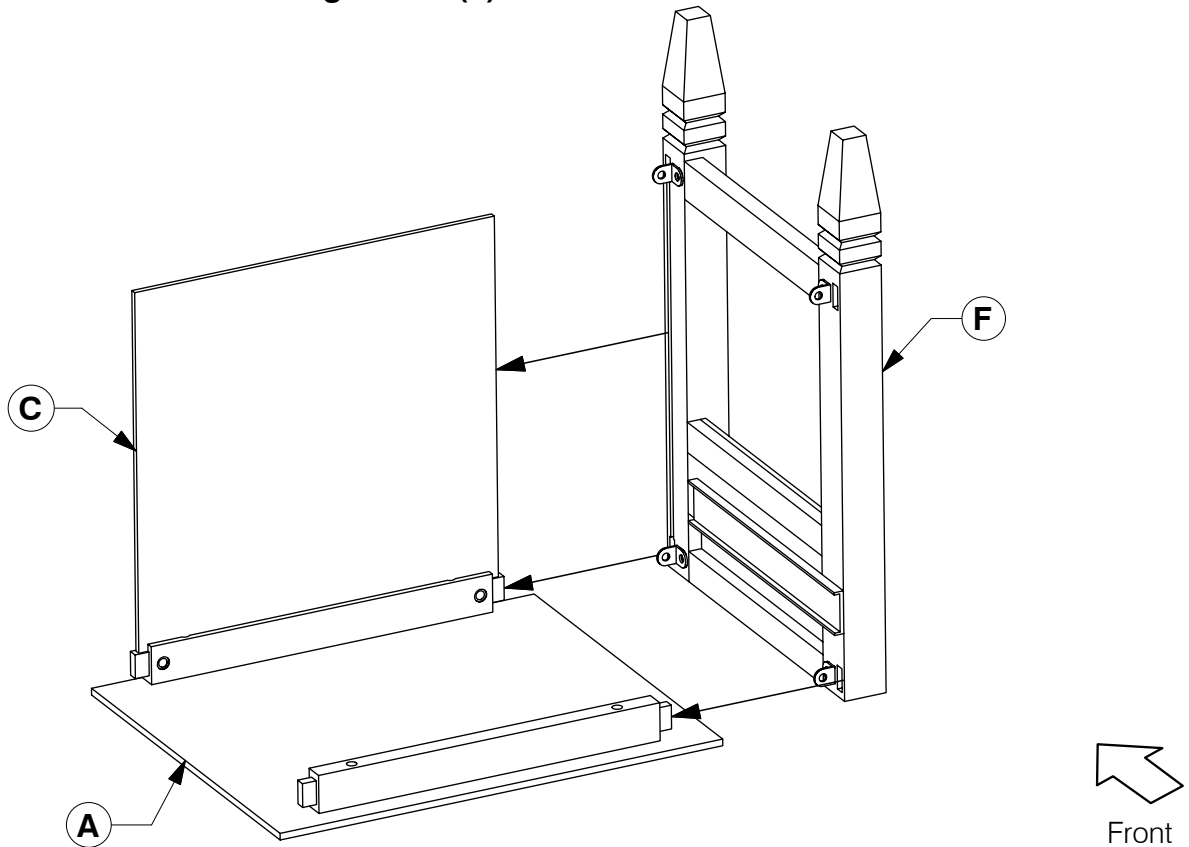


# 0038 Nightstand

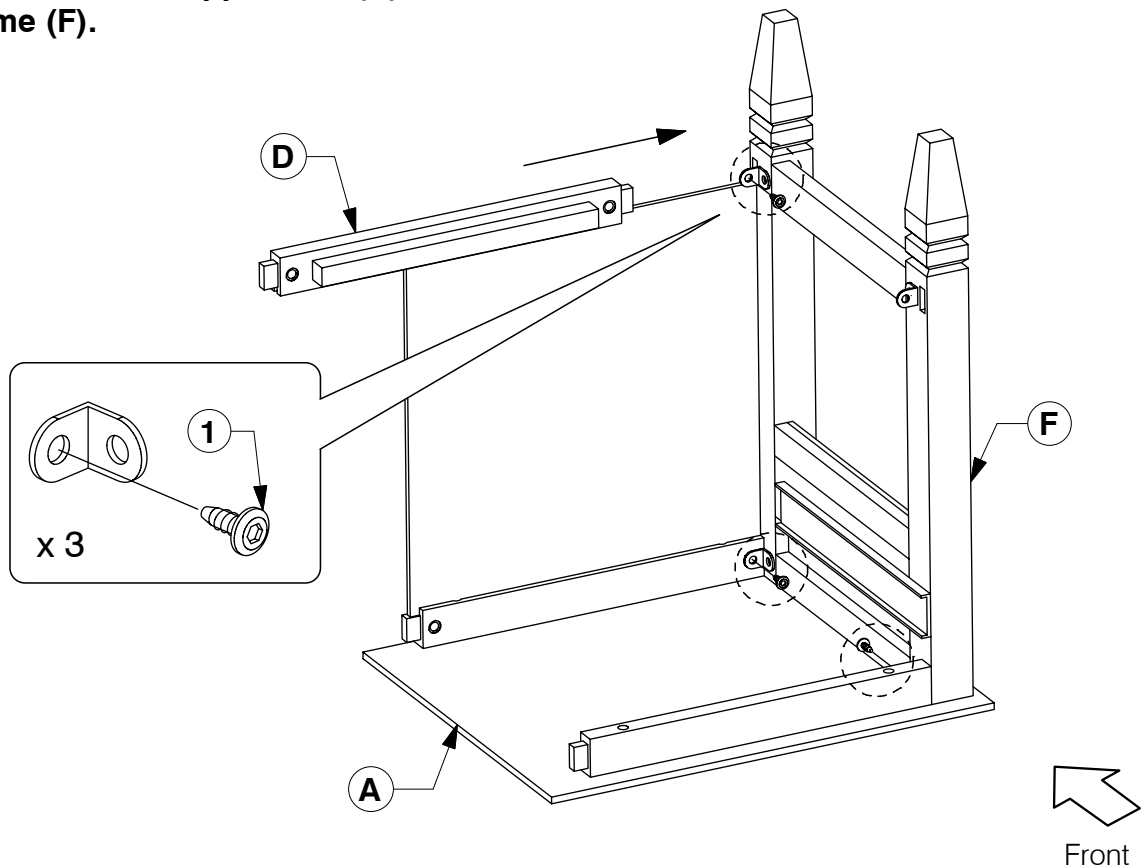
## Assembly Instructions

WII-0120

### 8 Assemble the Left hand Leg Frame (F).



### 9 Fit the Lower Rear Support Bar (D) to the Left hand Leg Frame (F).

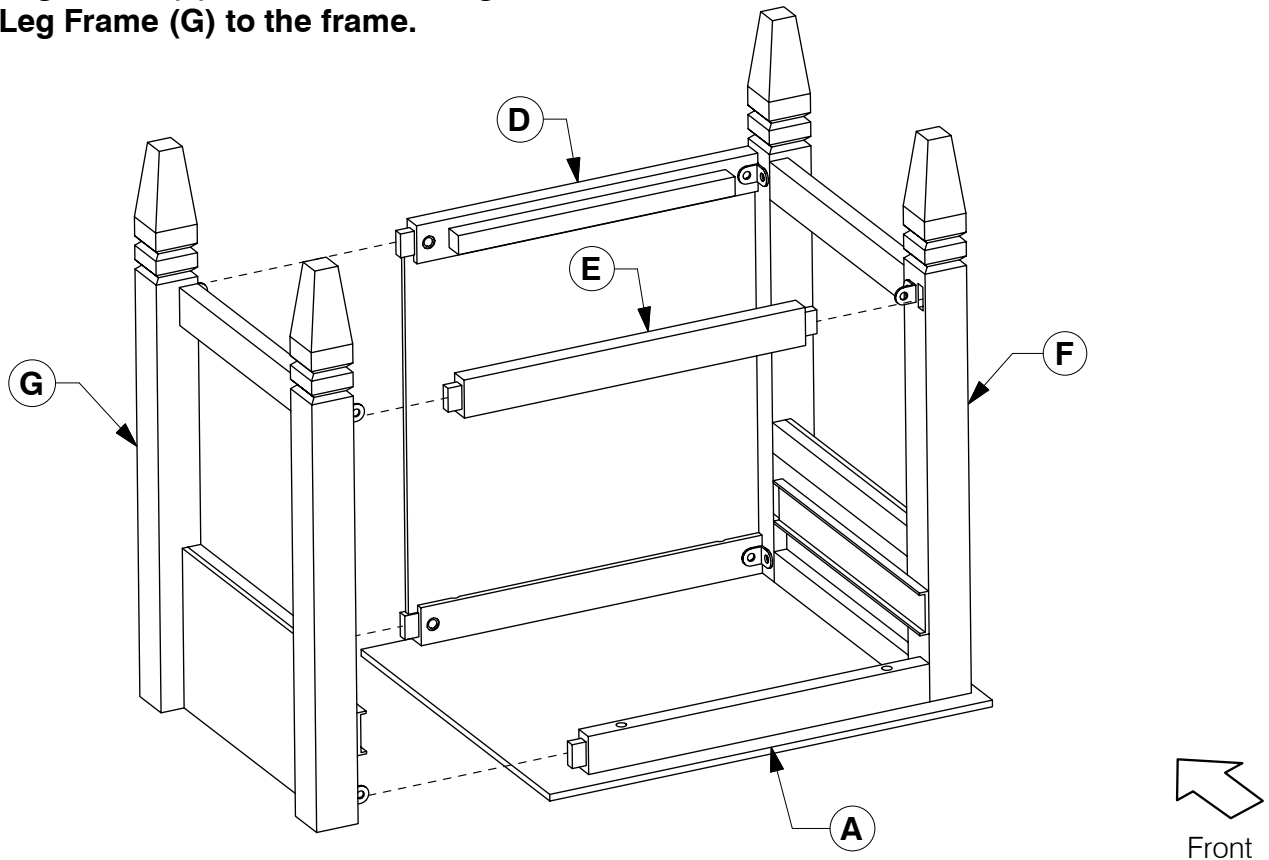


# 0038 Nightstand

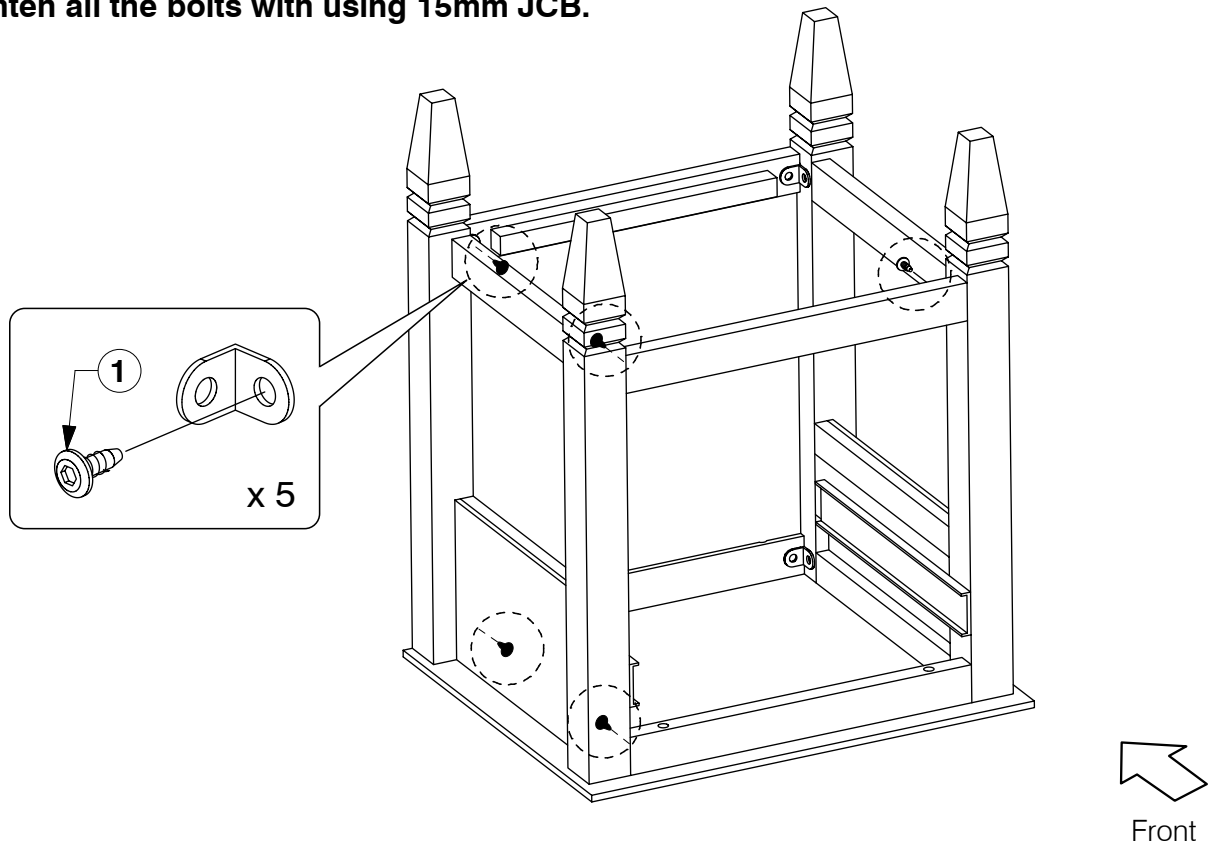
## Assembly Instructions

WII-0120

- 10** Fit the Lower Front Support Bar (E) to the Left hand Leg Frame (F). Assemble the Right hand Leg Frame (G) to the frame.



- 11** Tighten all the bolts with using 15mm JCB.

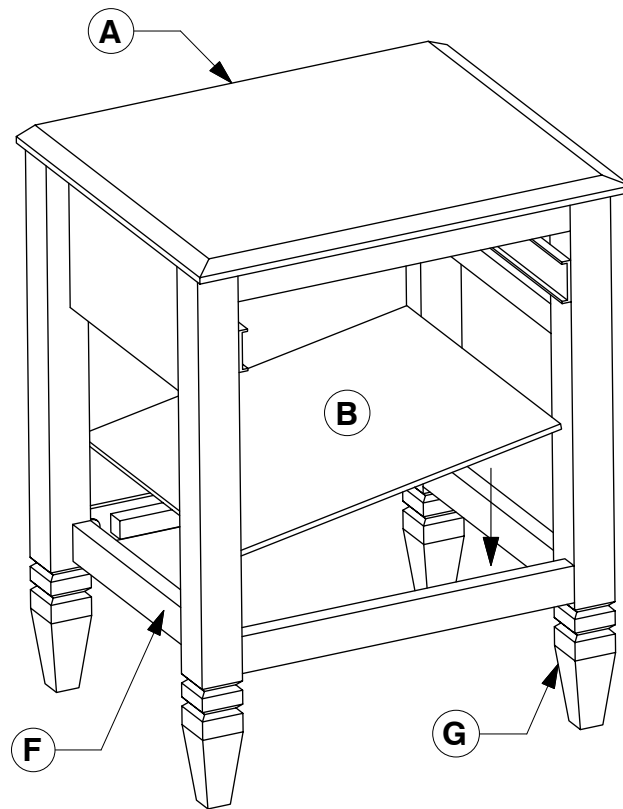


# 0038 Nightstand

## Assembly Instructions

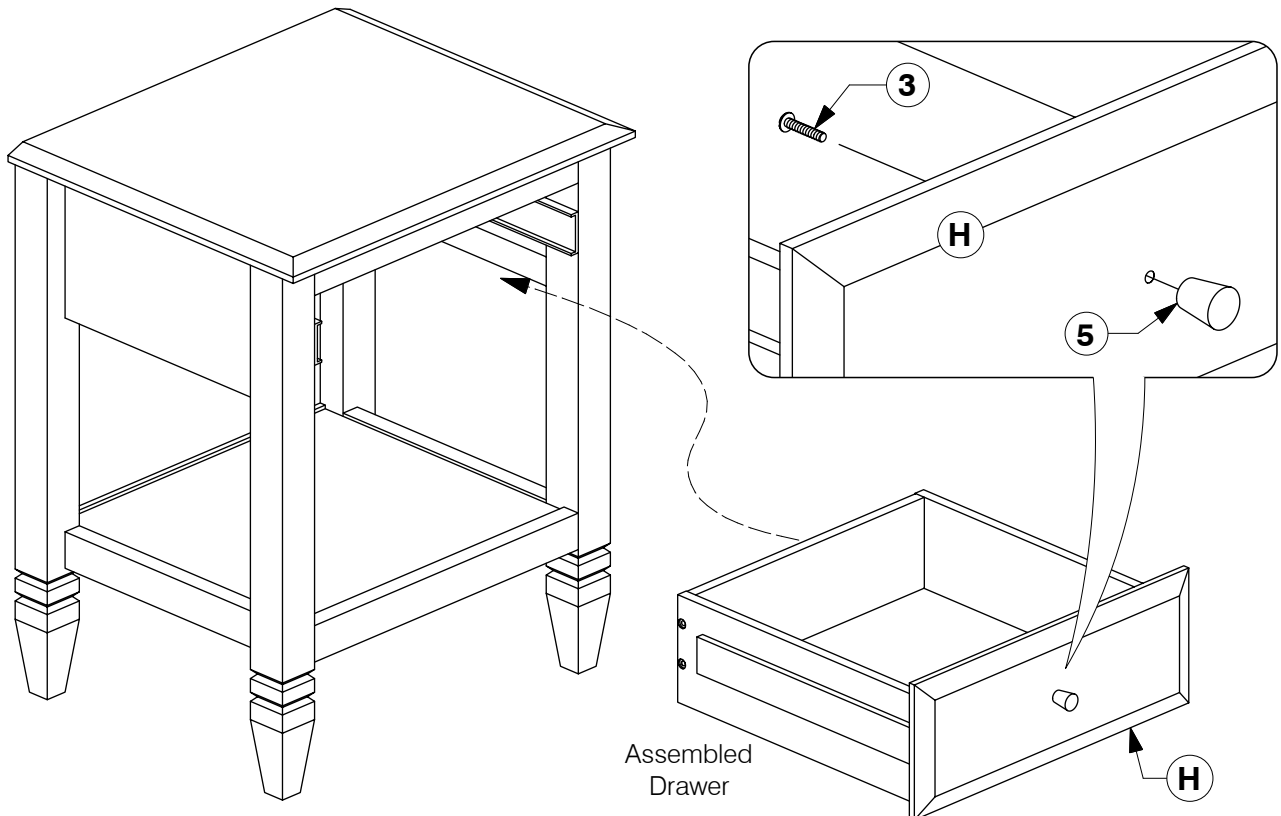
WII-0120

### 12 Fit the Shelf (B).



Front

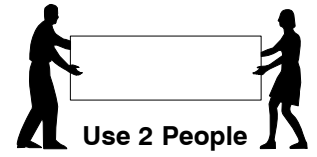
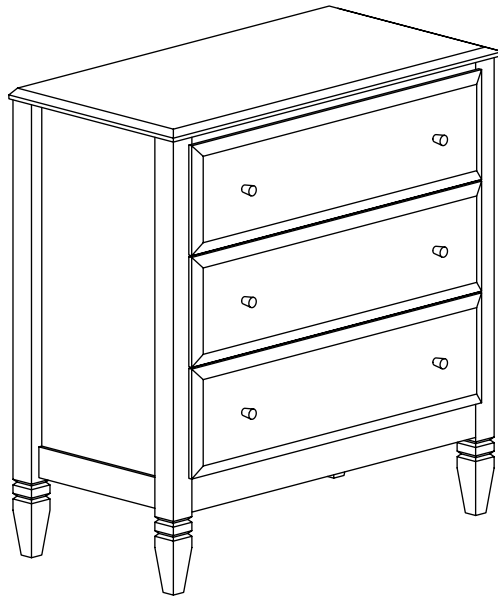
### 13 Fit the Handle to the Drawer face (H). Finally, fit the assembled Drawer.



# 0038 3 Drawer Chest

## Assembly Instructions

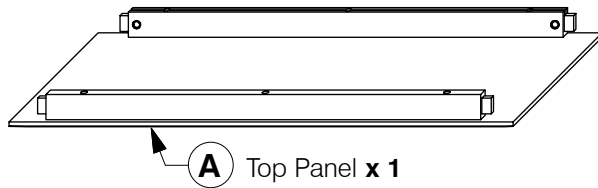
WII-0120



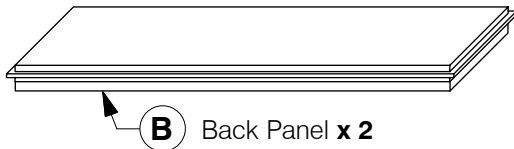
**Note:** Do not assemble using power tools. This can cause the bolts to be overtightened

### 1 Parts List

Parts in Box A:



**A** Top Panel x 1



**B** Back Panel x 2



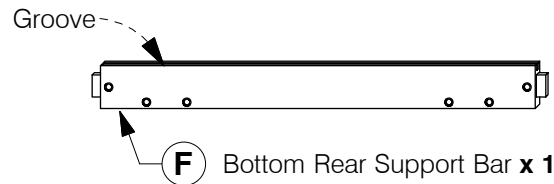
**C** Rear Support Bar x 1



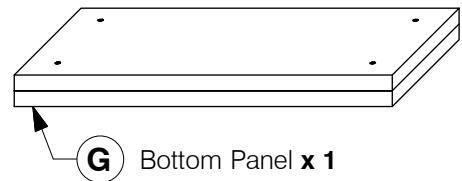
**D** Wood Block x 4



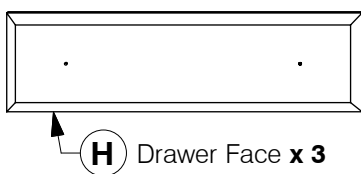
**E** Bottom Front Support Bar x 1



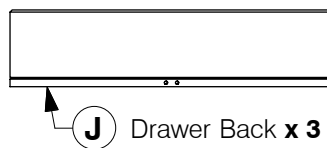
**F** Bottom Rear Support Bar x 1



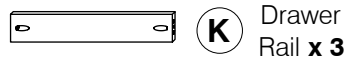
**G** Bottom Panel x 1



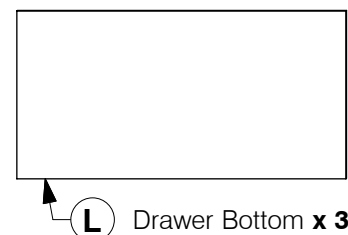
**H** Drawer Face x 3



**J** Drawer Back x 3



**K** Drawer Rail x 3



**L** Drawer Bottom x 3

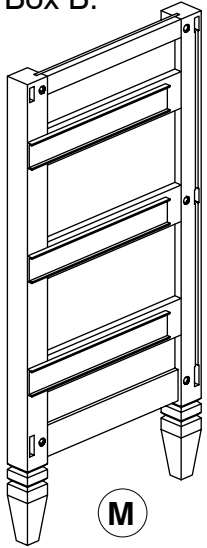
# 0038 3 Drawer Chest

## Assembly Instructions

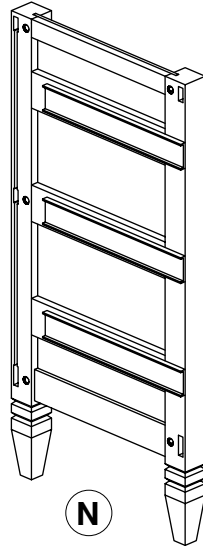
WII-0120

### 1 Parts List

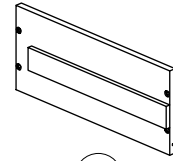
Parts in Box B:



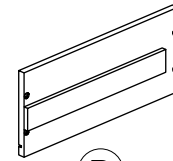
**M**  
Leg Frame  
(Left Hand) x 1



**N**  
Leg Frame  
(Right Hand) x 1

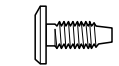


**O**  
Drawer Side  
(Left Hand) x 3



**P**  
Drawer Side  
(Right Hand) x 3

### 2 Hardware List



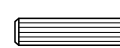
**1** M6 x  
15mm JCB  
x 20



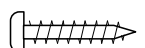
**2** M6 x  
40mm JCB  
x 4



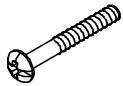
**3** M6 x  
60mm JCB  
x 8



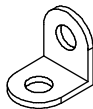
**4** M6 x 25mm  
Wood Dowel  
x 12



**5** M4 x 25mm  
Wood Screw  
x 30



**6** M4 x 22mm  
Wood Screw  
x 6



**7** 'L' Bracket  
(5005-3) x 10



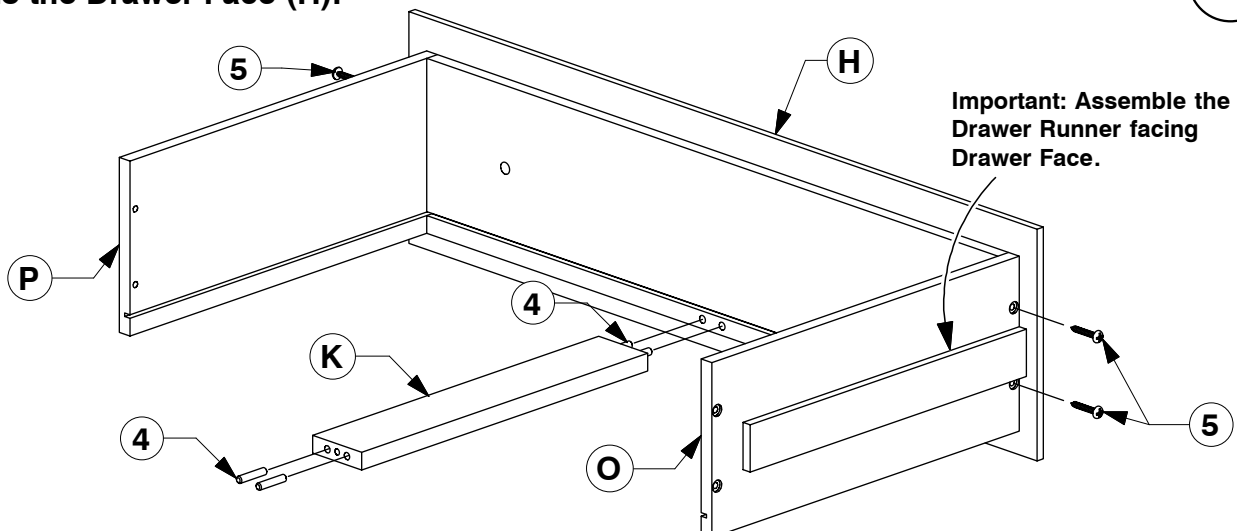
**8** Handle  
(1005) x 6



**9** Allen Key  
x 1

### 3 Assemble the Drawer Sides (O & P) & Drawer Rail (K) to the Drawer Face (H).

x3





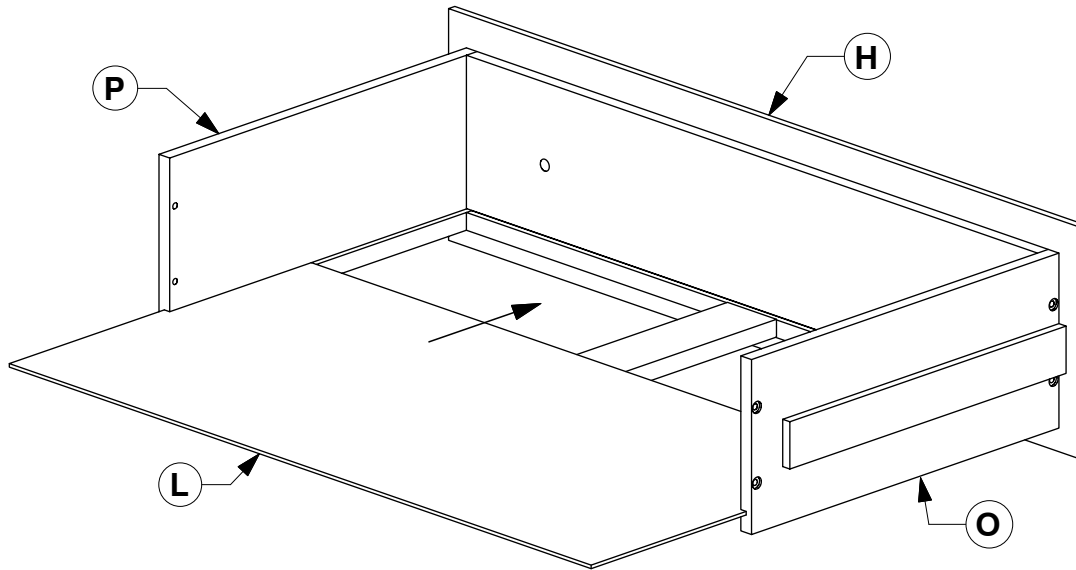
# 0038 3 Drawer Chest

## Assembly Instructions

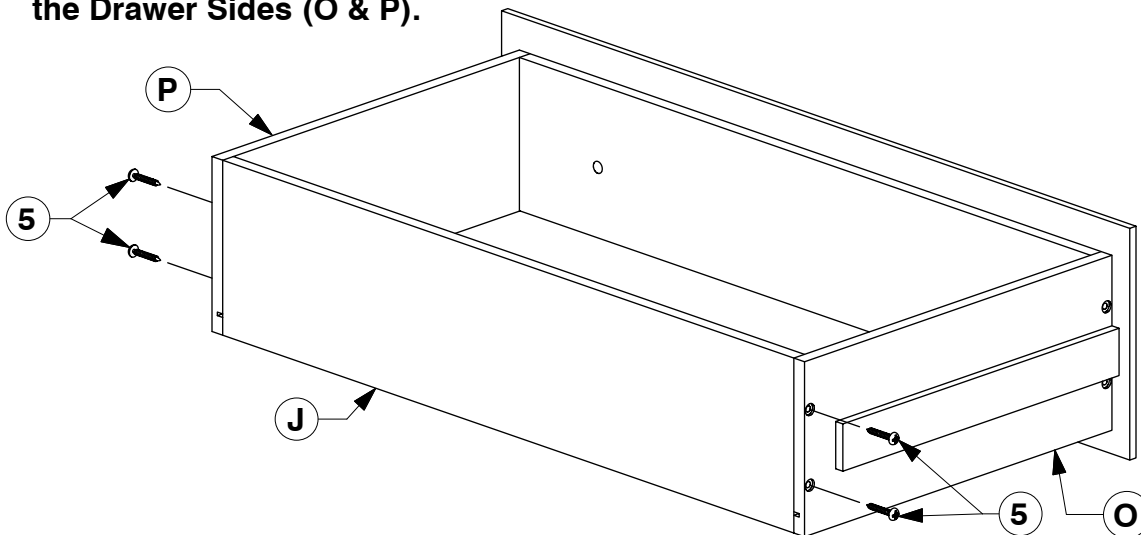
WII-0120

- 4** Slide the Drawer Bottom (L) into the groove on the Drawer Sides (O & P).

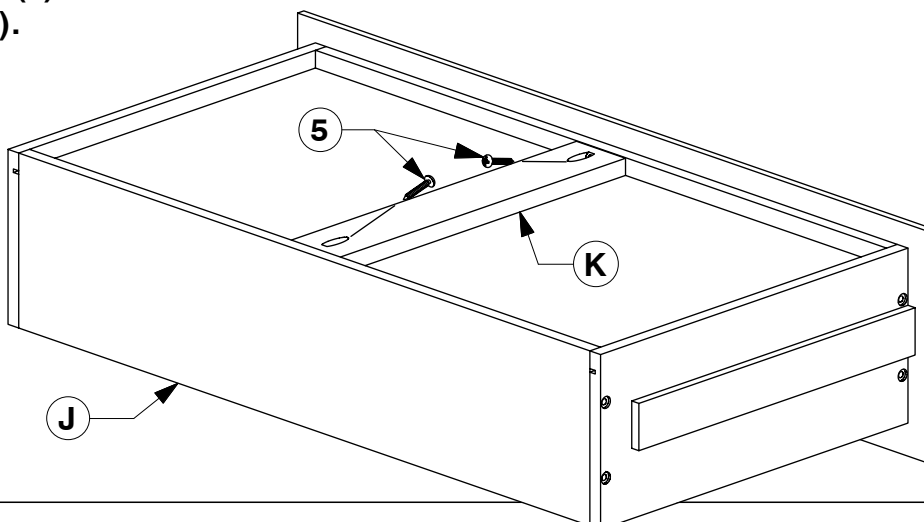
x3



- 5** Assemble the Drawer Back (J) to the Drawer Sides (O & P).



- 6** Turn the Drawer over to fit angled 25mm Wood screws (5) to the Drawer Rail (K).

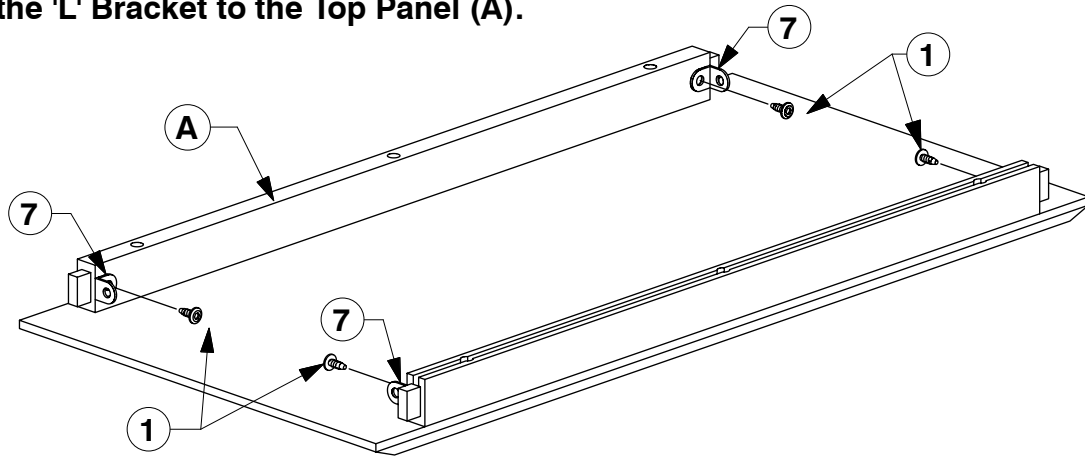


# 0038 3 Drawer Chest

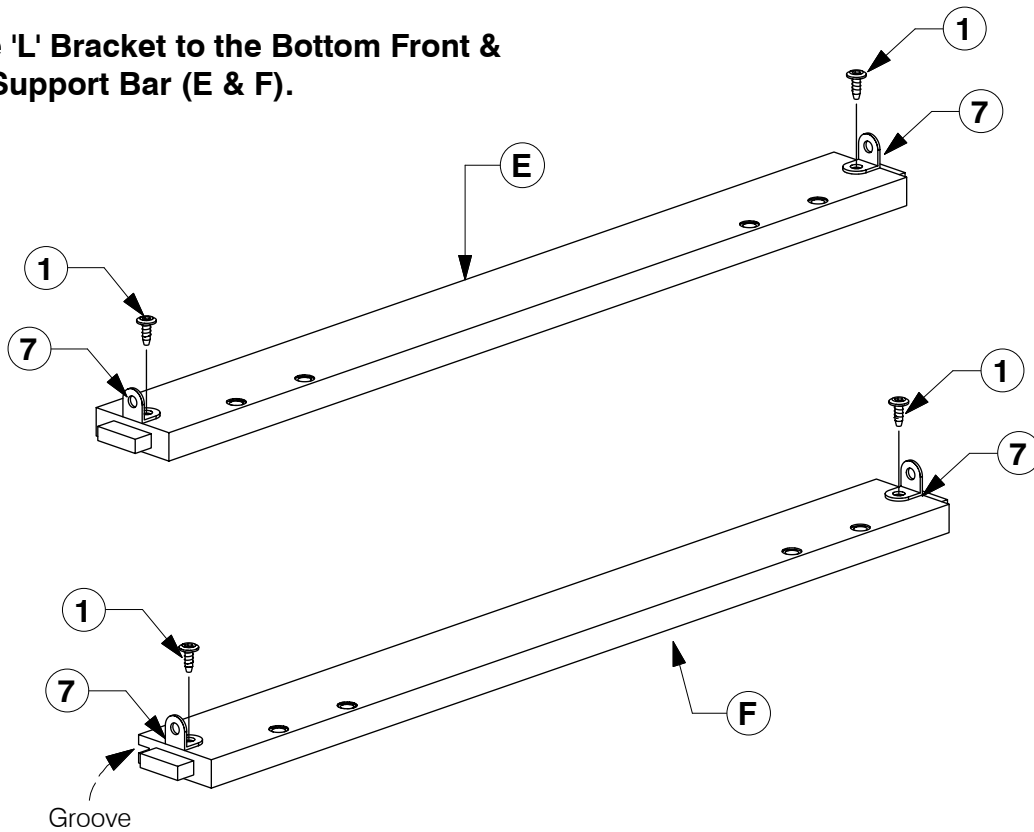
## Assembly Instructions

WI1-0120

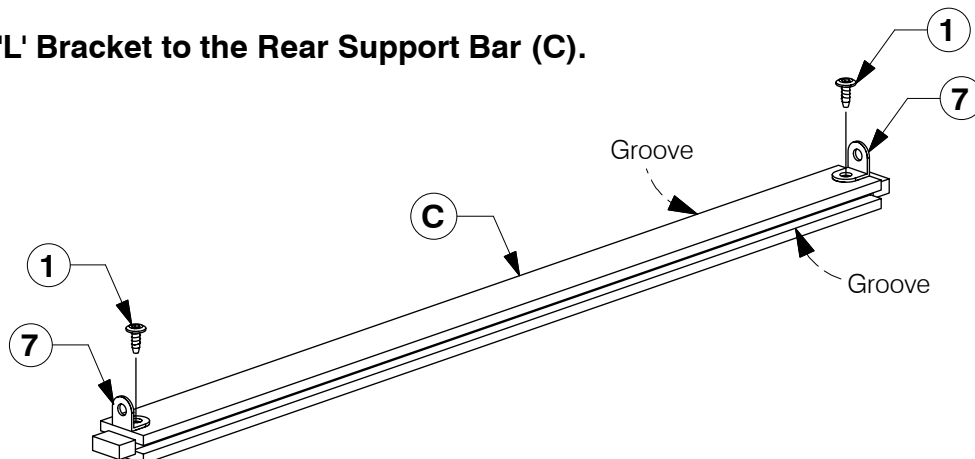
### 7 Fit the 'L' Bracket to the Top Panel (A).



### 8 Fit the 'L' Bracket to the Bottom Front & Rear Support Bar (E & F).



### 9 Fit the 'L' Bracket to the Rear Support Bar (C).

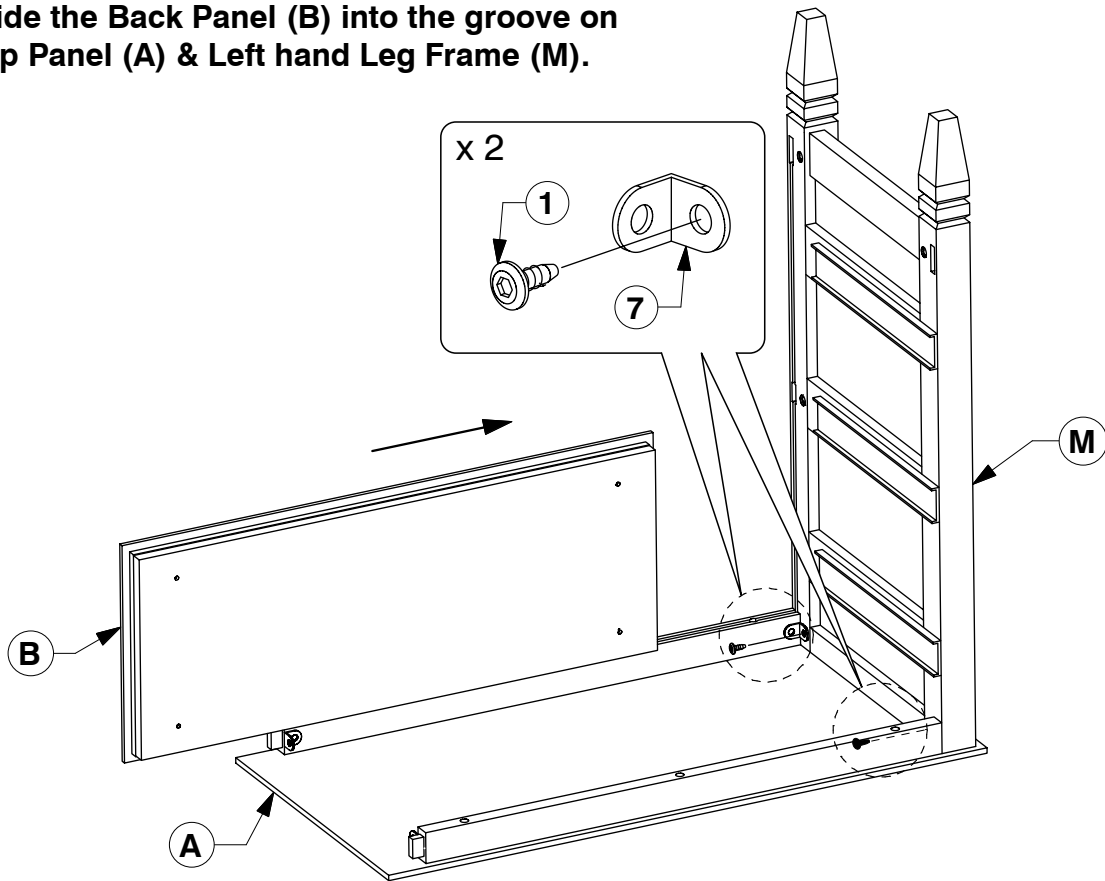


# 0038 3 Drawer Chest

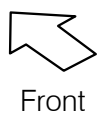
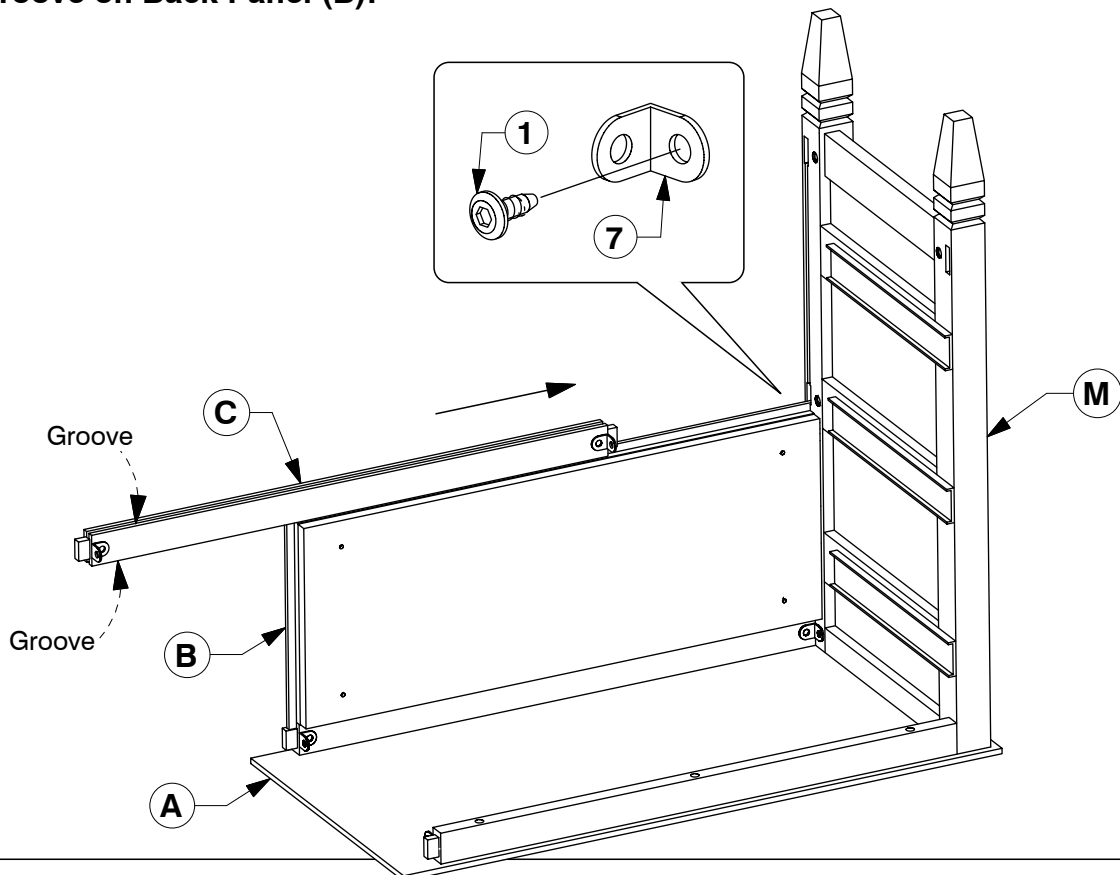
## Assembly Instructions

WII-0120

- 10** Slide the Back Panel (B) into the groove on Top Panel (A) & Left hand Leg Frame (M).



- 11** Slide the Rear Support Bar (C) into the groove on Back Panel (B).

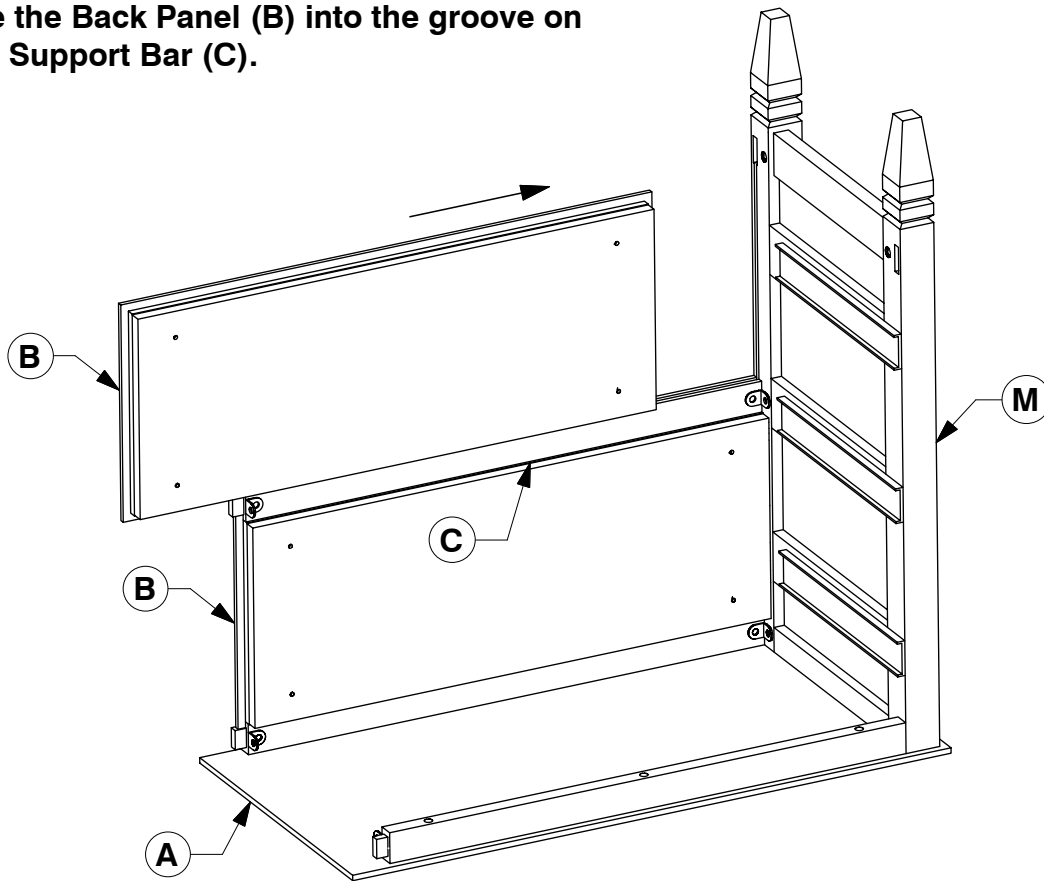


# 0038 3 Drawer Chest

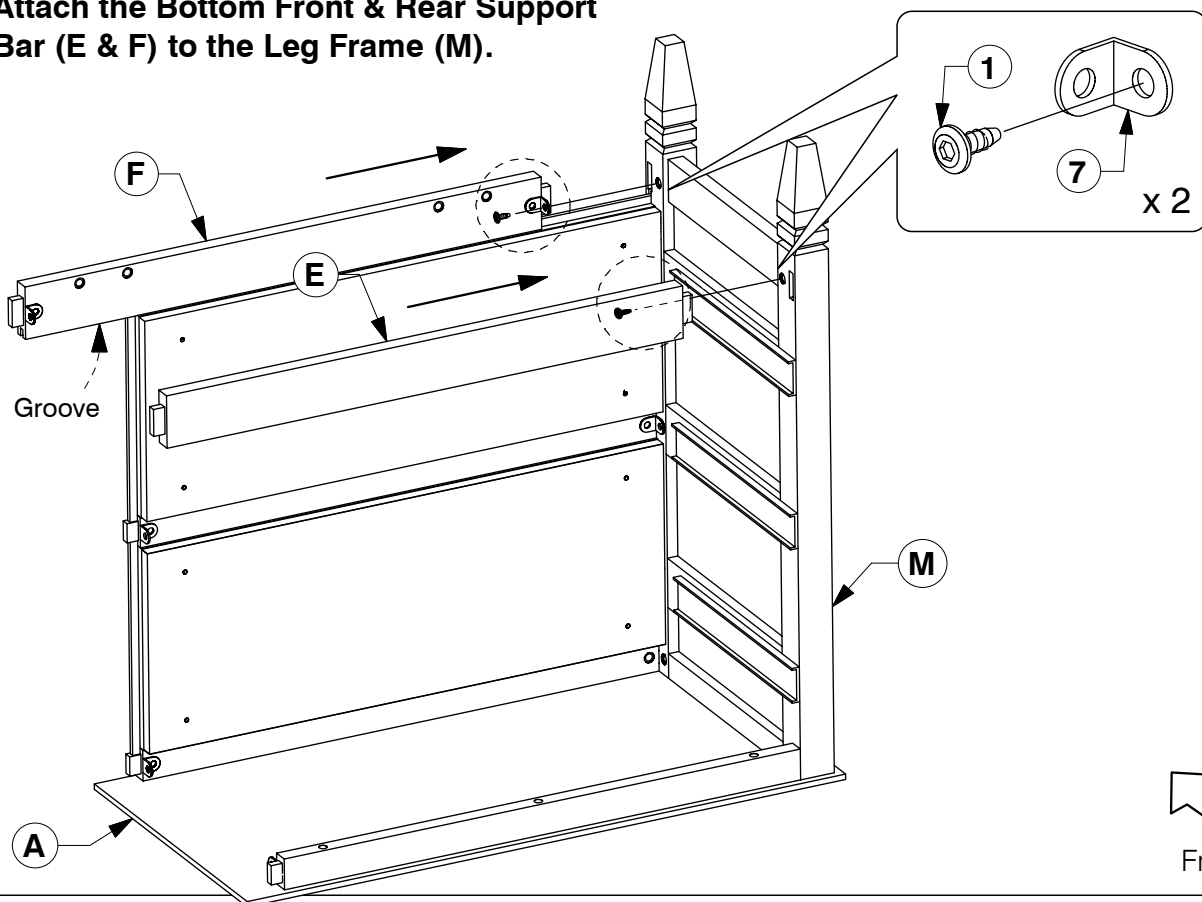
## Assembly Instructions

WII-0120

- 12** Slide the Back Panel (B) into the groove on Rear Support Bar (C).



- 13** Attach the Bottom Front & Rear Support Bar (E & F) to the Leg Frame (M).

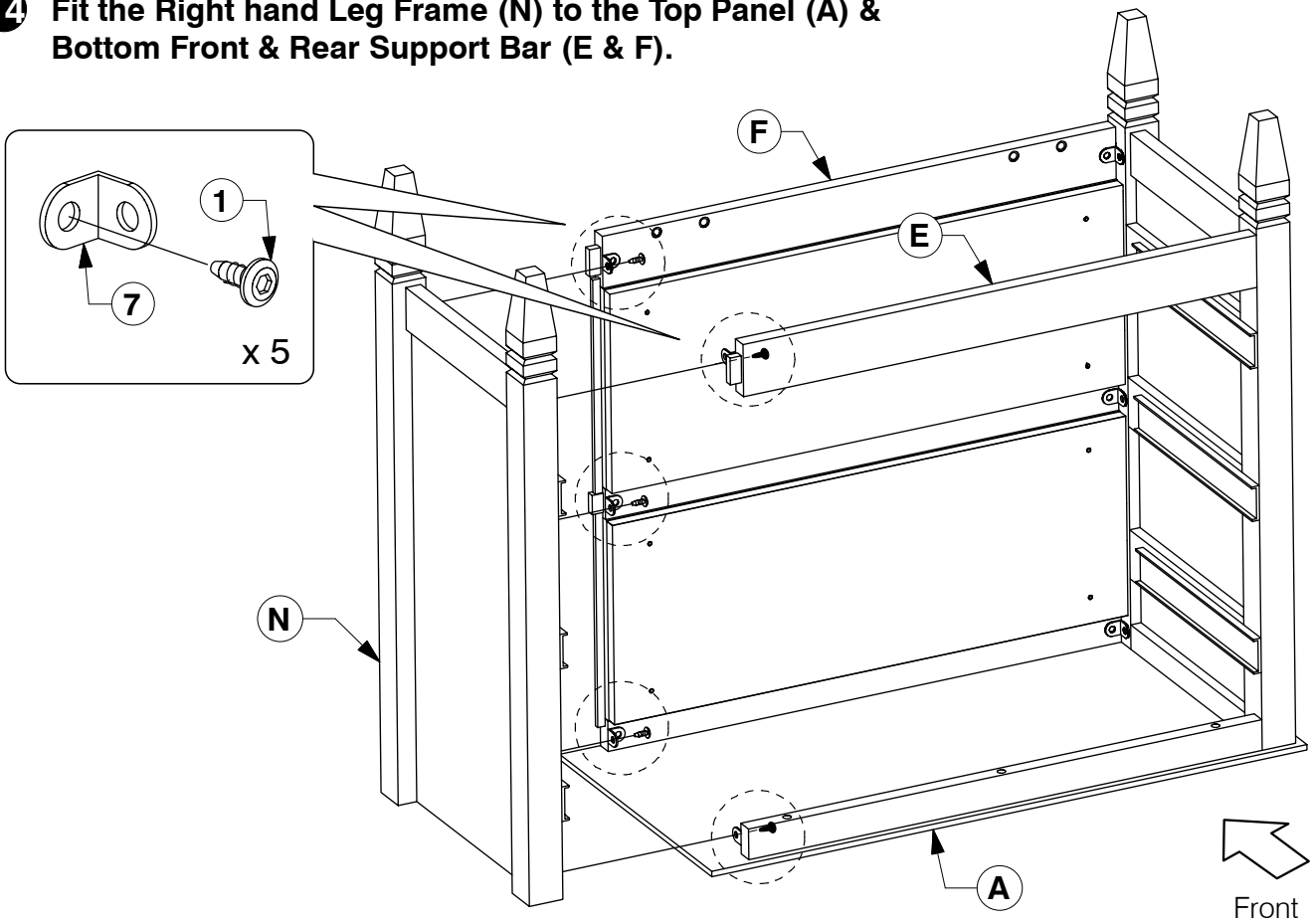


# 0038 3 Drawer Chest

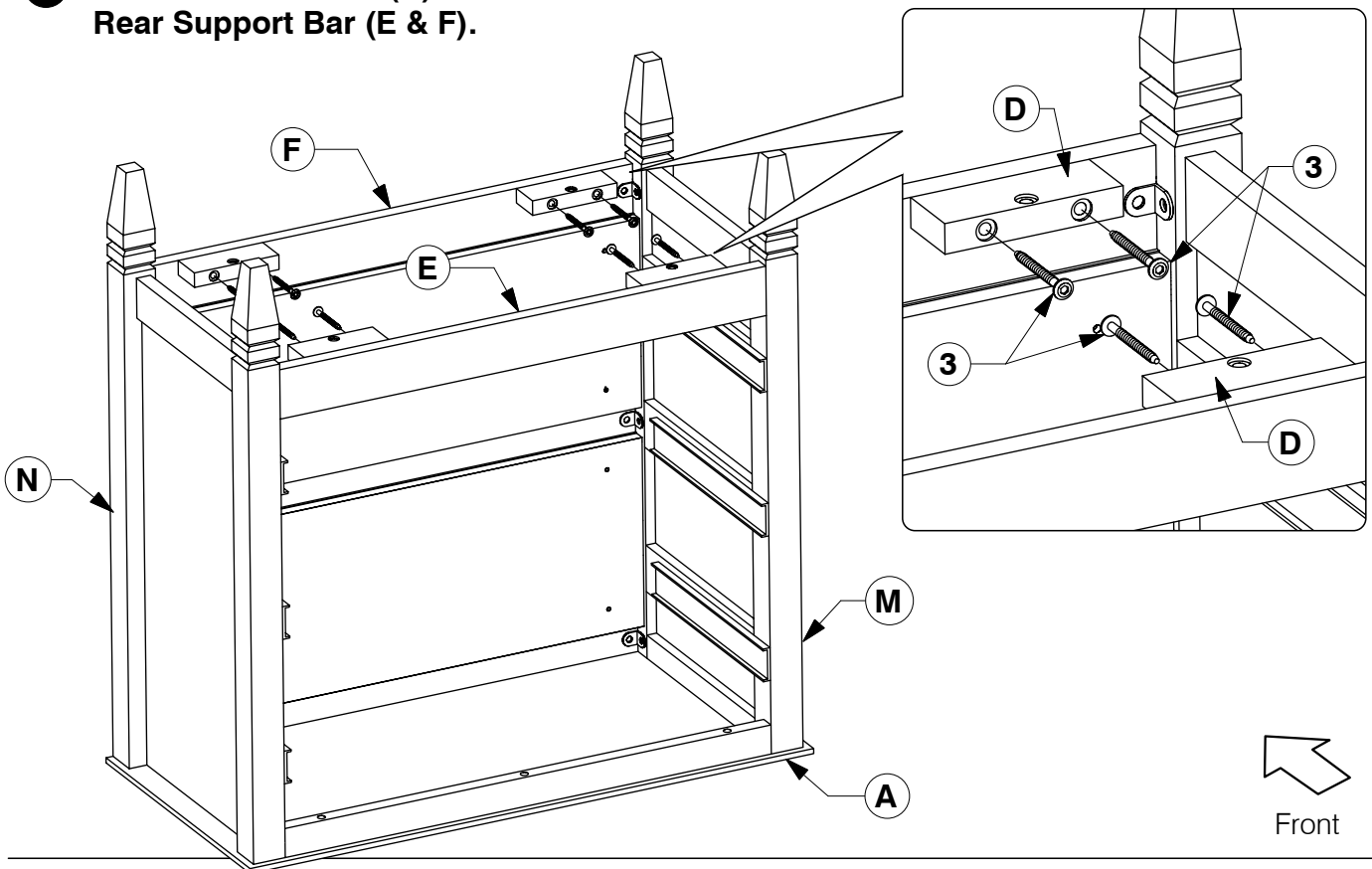
## Assembly Instructions

WII-0120

- 14** Fit the Right hand Leg Frame (N) to the Top Panel (A) & Bottom Front & Rear Support Bar (E & F).



- 15** Fit the Wood Block (D) to the Bottom Front & Rear Support Bar (E & F).

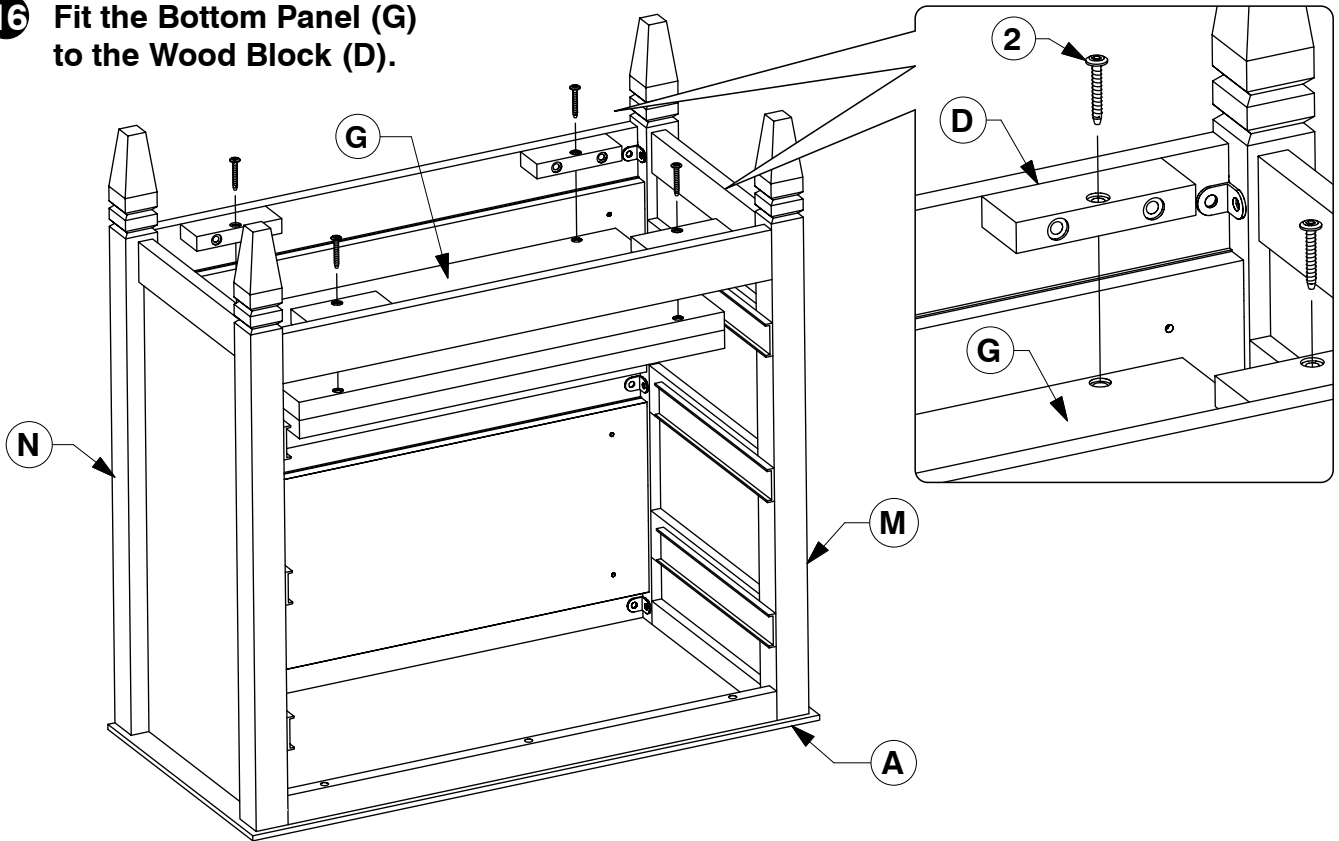


# 0038 3 Drawer Chest

## Assembly Instructions

WII-0120

- 16** Fit the Bottom Panel (G) to the Wood Block (D).



- 17** Fit the Handle to the Drawer face (H).  
Finally, fit the assembled Drawer.

