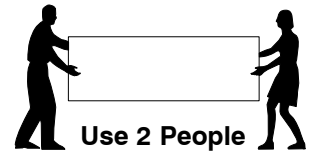
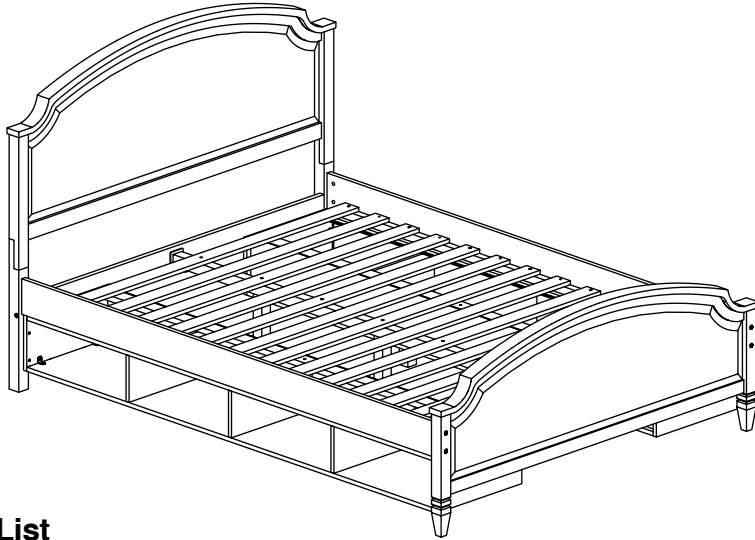


0038 Full Bed

Assembly Instructions

WII-0120

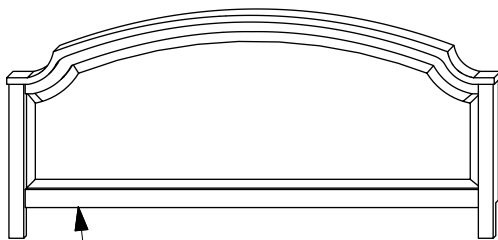
1 Assembled View



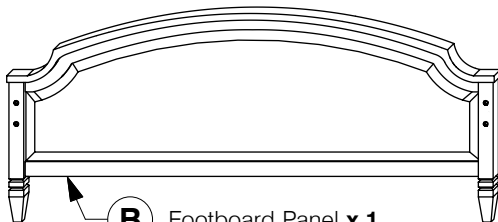
Note: Do not assemble using power tools. This can cause the bolts to be overtightened

2 Parts List

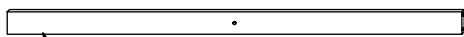
Parts in Box A:



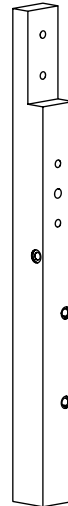
A Headboard Panel x 1



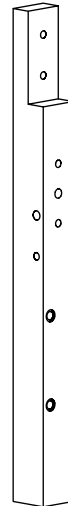
B Footboard Panel x 1



C Headboard Support Rail x 1



D Headboard Post (Left Hand) x 1

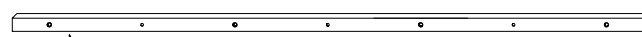


E Headboard Post (Right Hand) x 1

Parts in Box B:



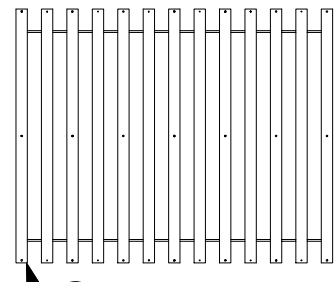
F Side Rail x 2



G Long Support x 1



H Support Leg x 3



J Set of Bed Slats x 1

0038 Full Bed

Assembly Instructions

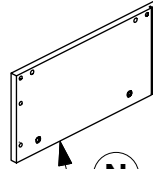
WII-0120

2 Parts List

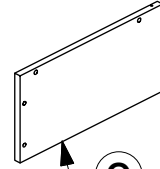
Parts in Box C:



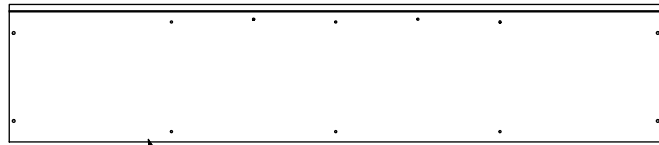
K Storage Back Panel x 2



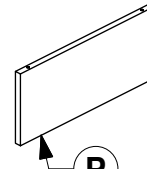
N Storage Side Panel (Left Hand) x 2



O Storage Side Panel (Right Hand) x 2



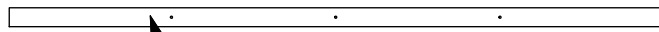
L Storage Bottom Panel x 2



P Storage Divider x 6



Q Storage Foot x 4

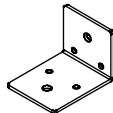


M Storage Support Rail x 4

3 Hardware List



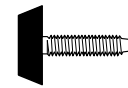
1 M4 Allen Key x 1



2 Center Rail Bracket x 2



3 'L' Bracket x 8



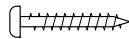
4 Adjustable Foot x 3



5 Barrel Nut x 13



6 Wood Screw (M4 x 16mm) x 12



7 Wood Screw (M4 x 32mm) x 12



8 Wood Dowel (M8 x 30mm) x 8



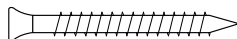
9 Wood Dowel (M10 x 40mm) x 6



10 Spring Washer x 4



11 Flat Washer x 4



12 CSK Cap Wood Screw (M6 x 50mm) x 24



13 M6 x 15mm JCB x 20



14 M6 x 30mm JCB x 8



15 M6 x 40mm JCB x 26



16 M6 x 60mm JCB x 8



17 M6 x 90mm JCB x 10



18 M6 x 100mm JCB x 3

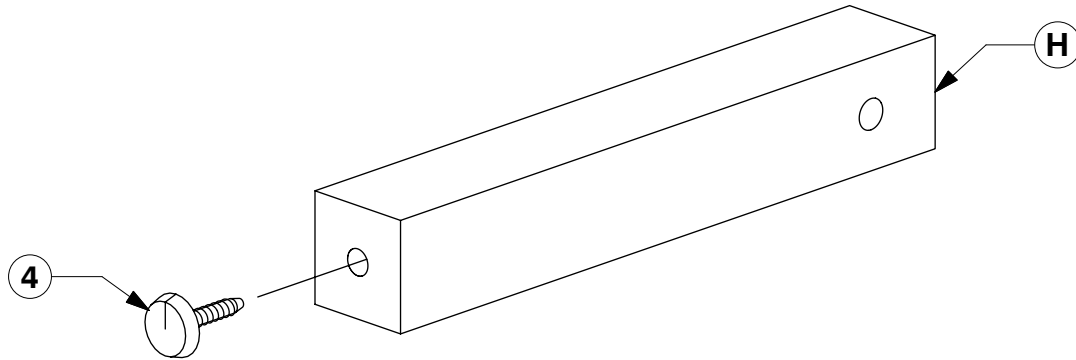
0038 Full Bed

Assembly Instructions

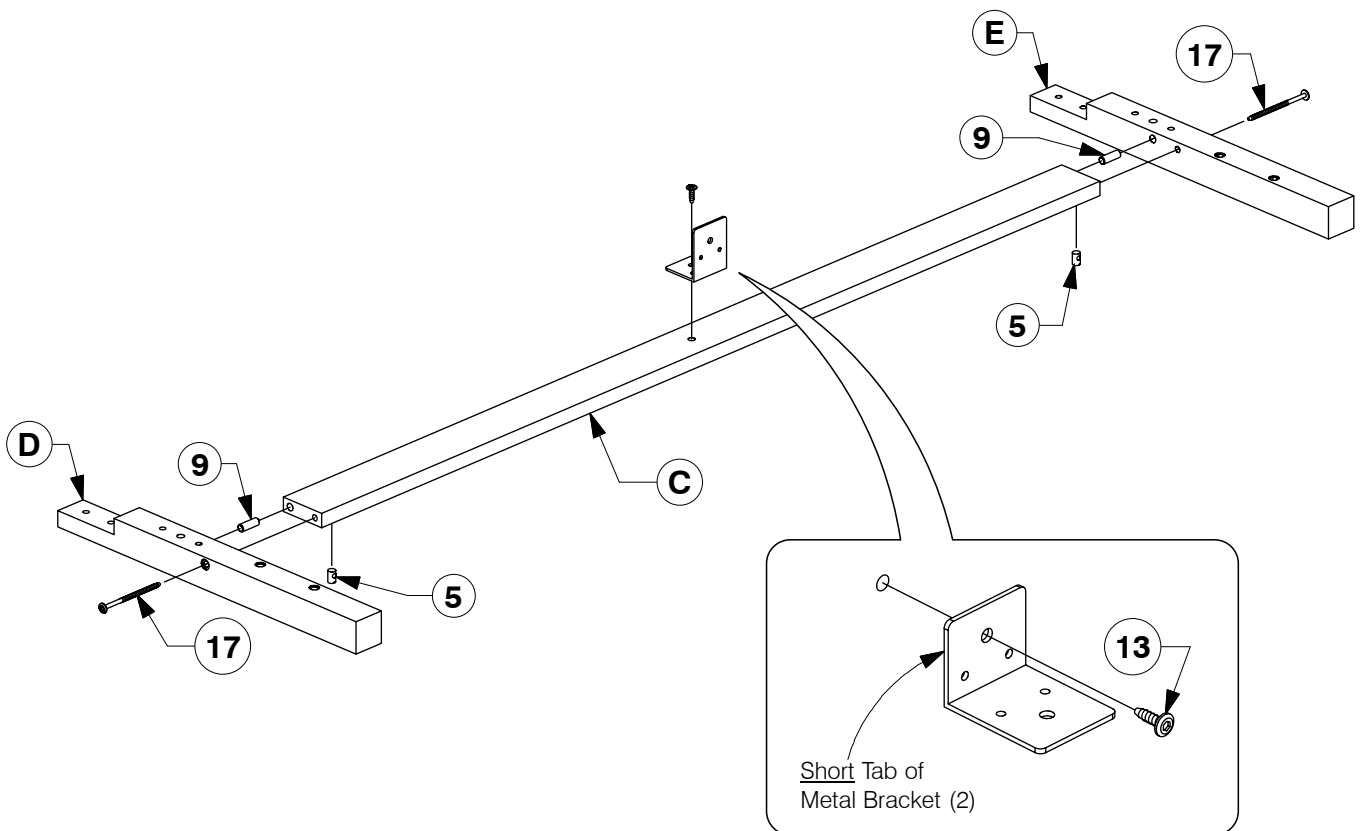
WII-0120

- 4** Fix the Adjustable foot to the bottom of the Support Leg (H).

x3



- 5** Fit the Lower Headboard Post (D & E) to the Headboard Support Rail (C).
Fit the Center Rail Bracket to the Headboard Support Rail (C).

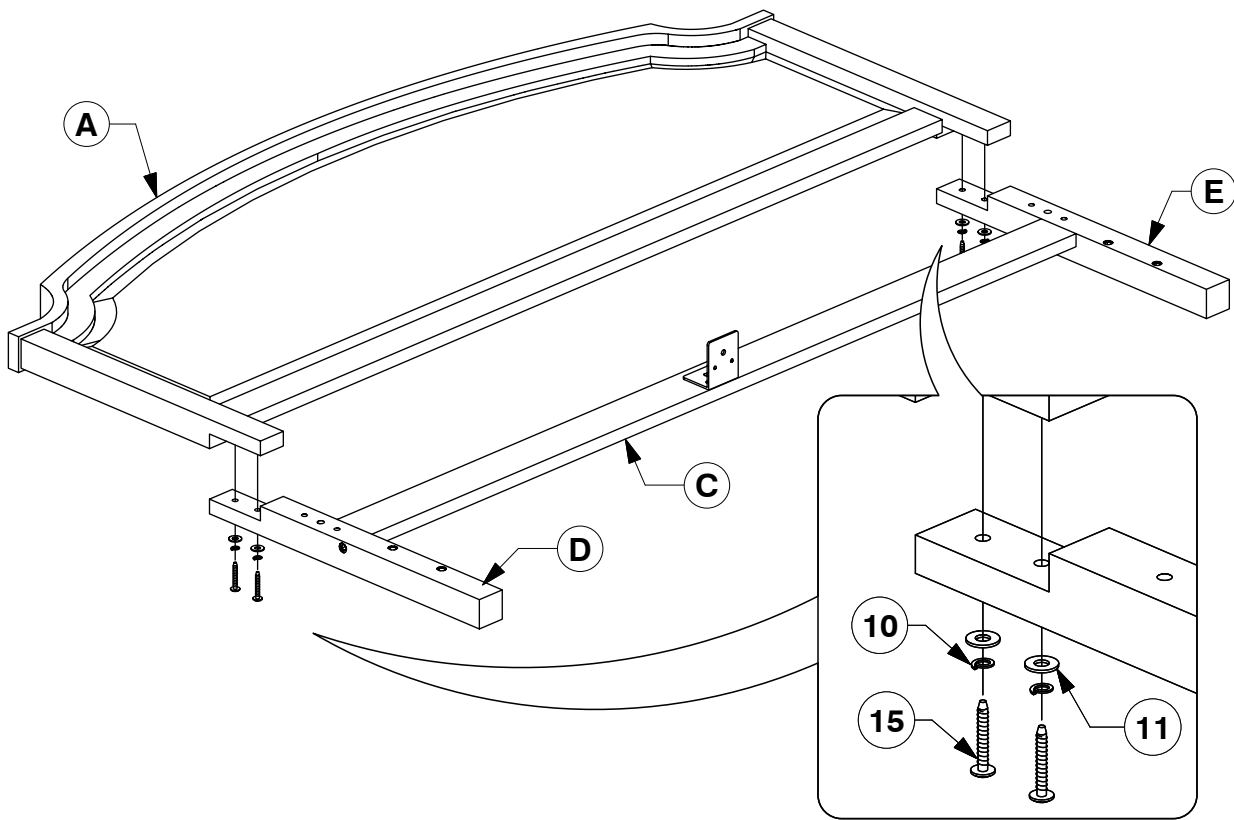


0038 Full Bed

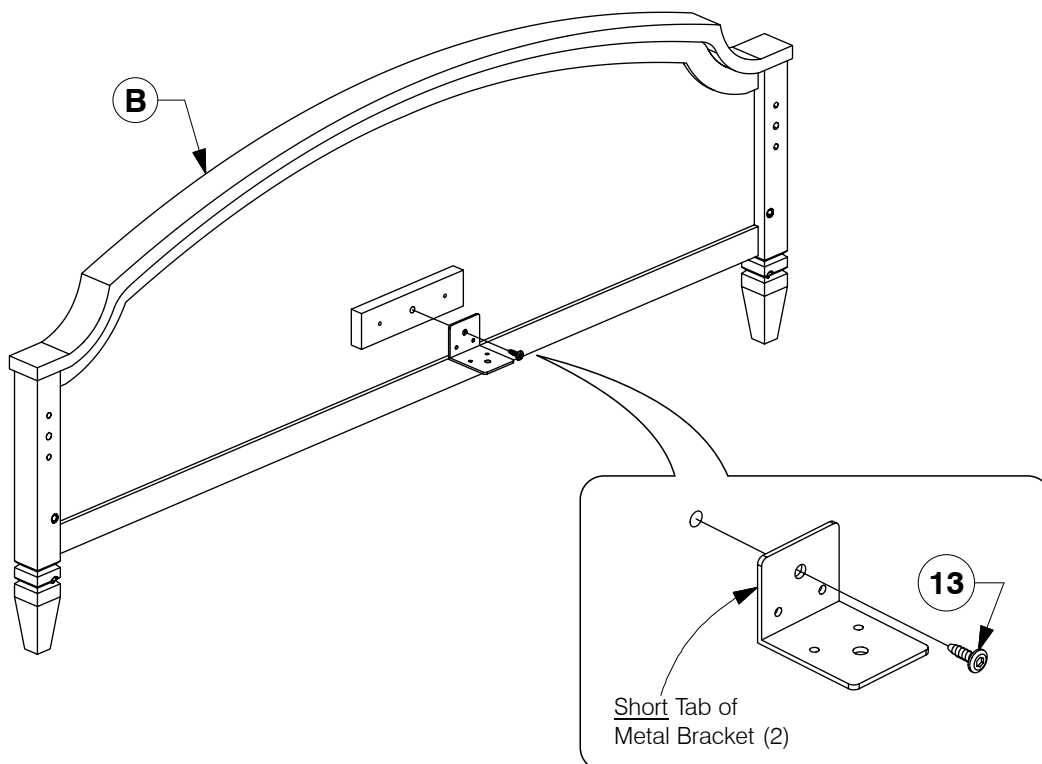
Assembly Instructions

WII-0120

- 6** Fit the Headboard Panel (A) to the Headboard Post (D & E).



- 7** Fit the Center Rail Bracket to the Footboard Panel (B).

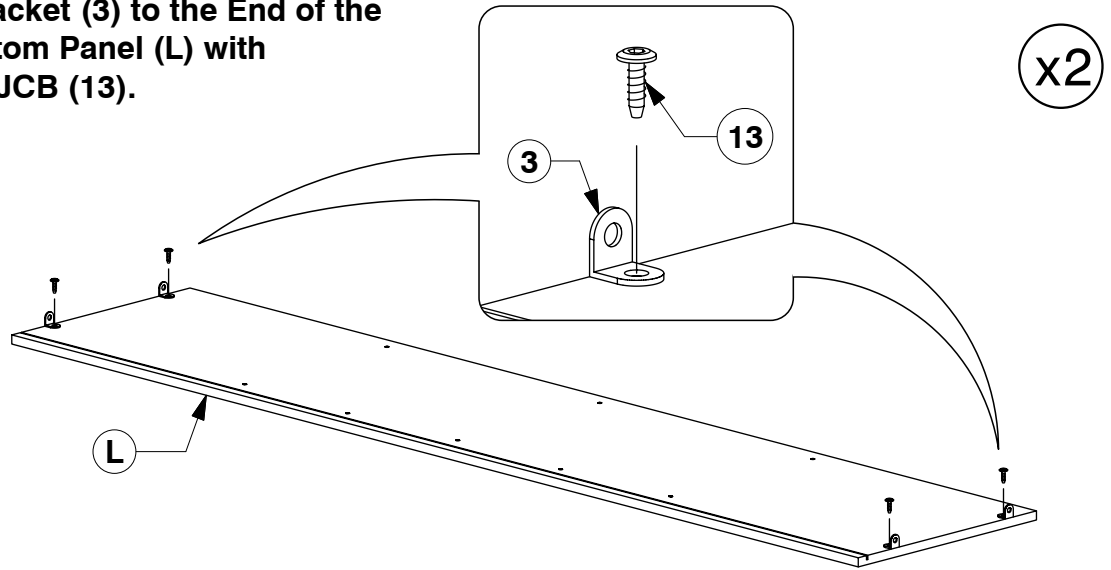


0038 Full Bed

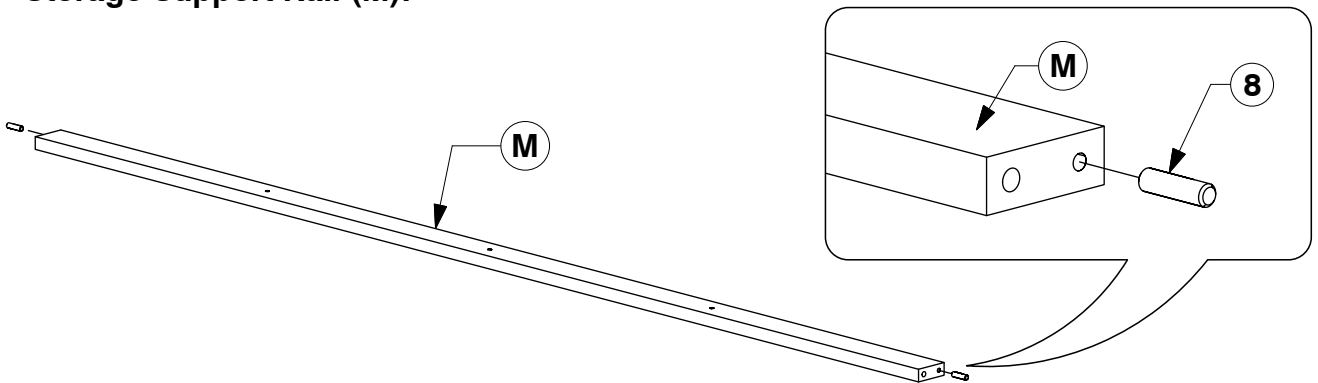
Assembly Instructions

WII-0120

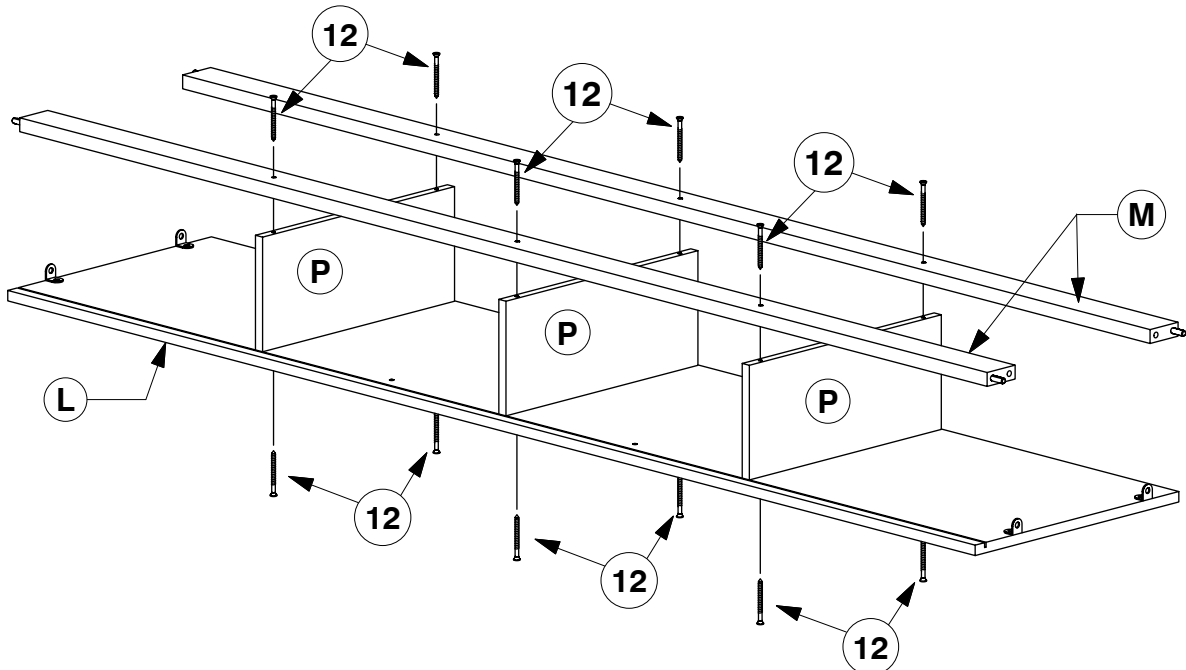
- 8** Fit the 'L' Bracket (3) to the End of the Storage Bottom Panel (L) with M6 x 15mm JCB (13).



- 9** Tap the Wood Dowel to the end of the Storage Support Rail (M).



- 10** Assemble the Storage Bottom Panel (L) & Support Rail (M) to the Storage Divider (P).



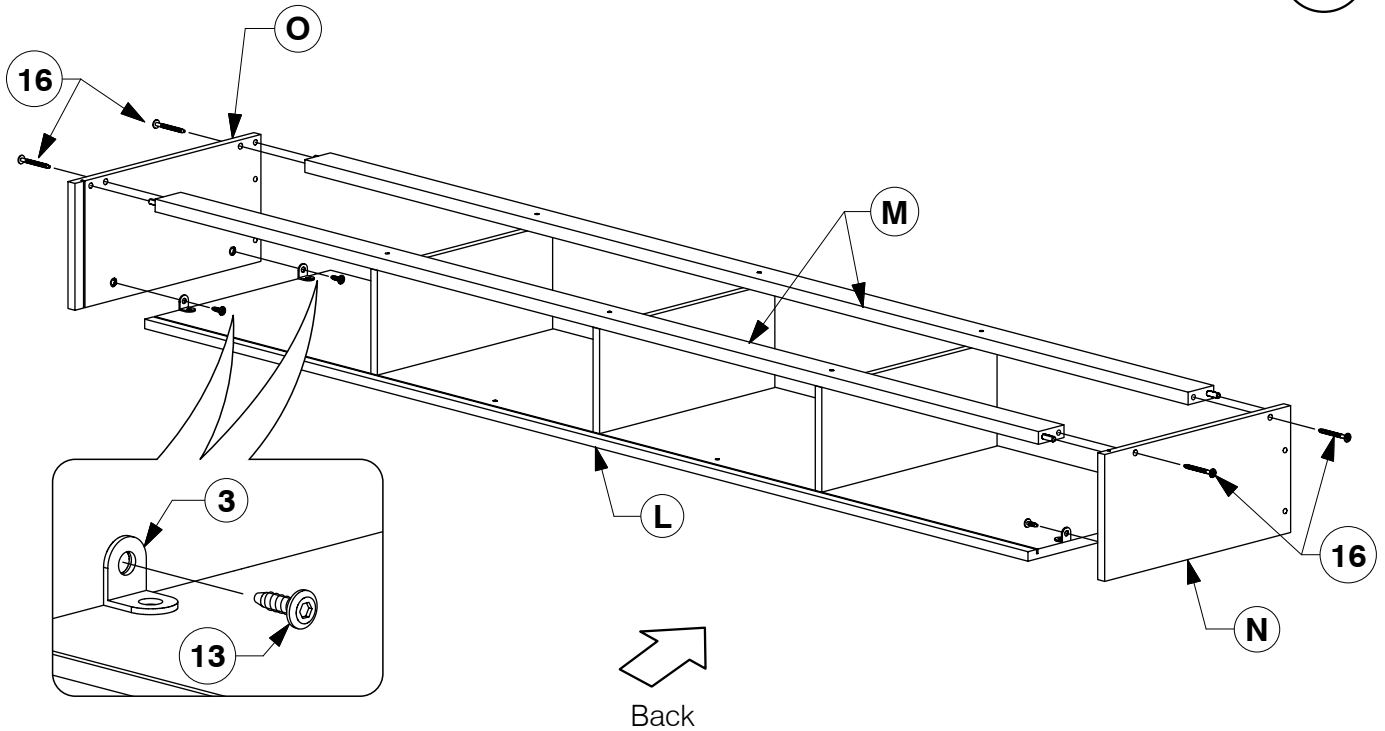
0038 Full Bed

Assembly Instructions

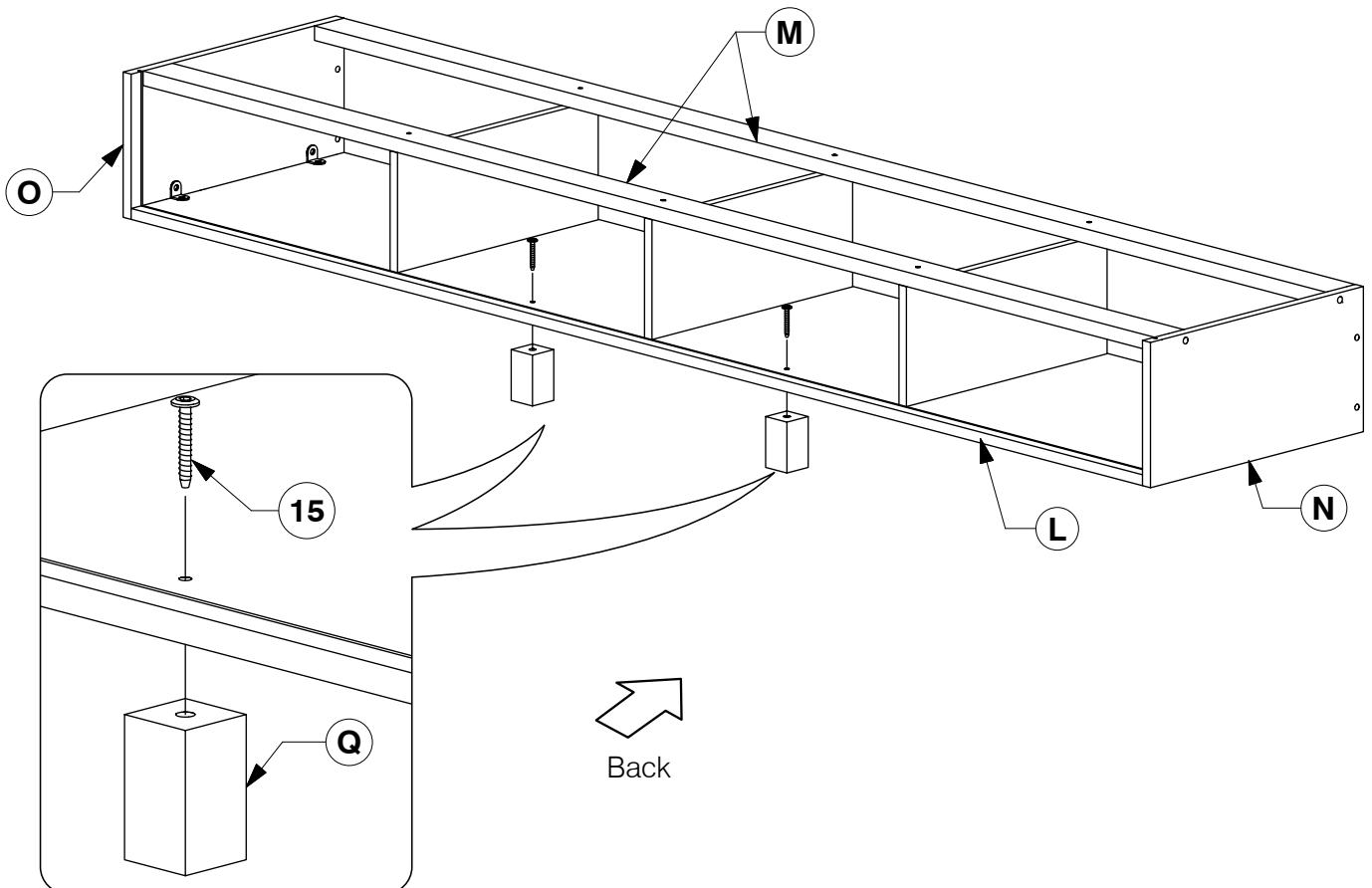
W11-0120

- 11** Assemble the Storage Side Panel (N & O) to the Storage Bottom Panel & Support Rail (L & M).

x2



- 12** Fit the Storage Foot (Q) to the Storage Bottom Panel (L).



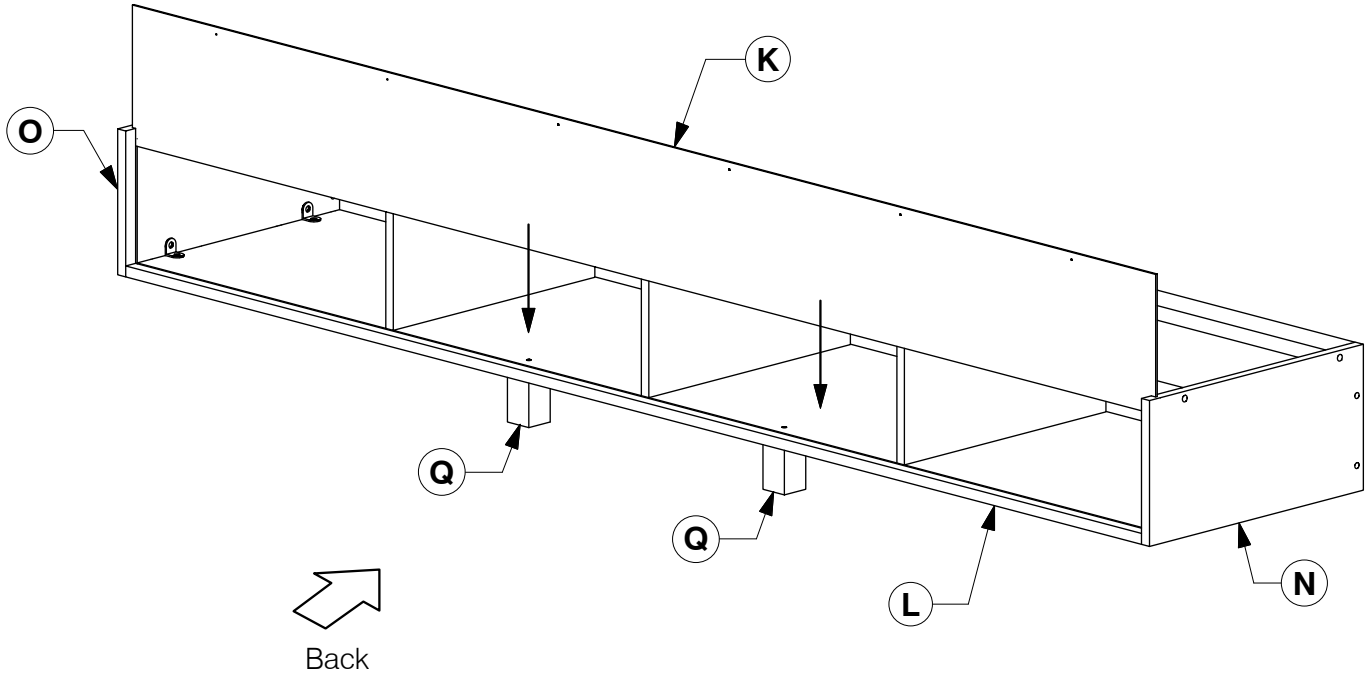
0038 Full Bed

Assembly Instructions

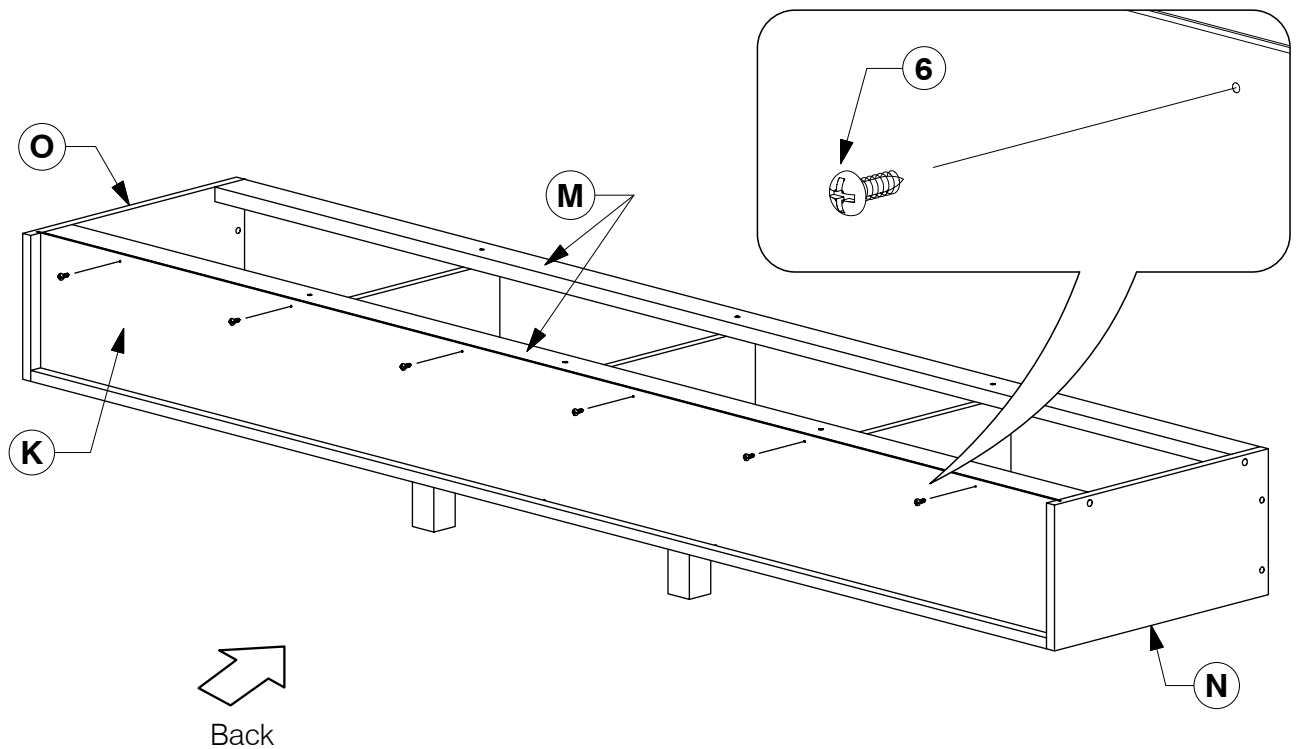
WII-0120

13 Slide the Storage Back Panel (K) into the groove.

x2



14 Fit the Storage Back Panel (K) in place.

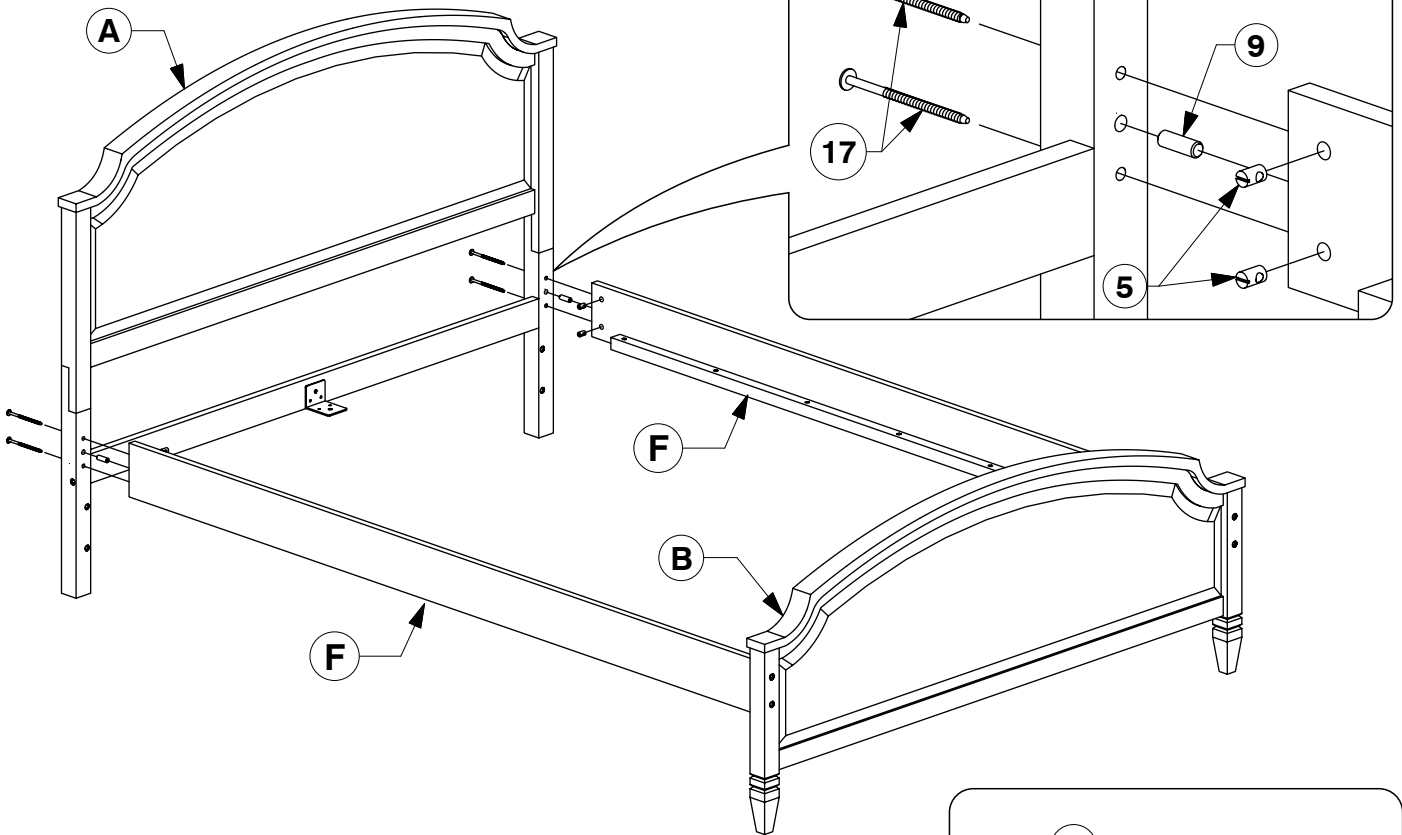


0038 Full Bed

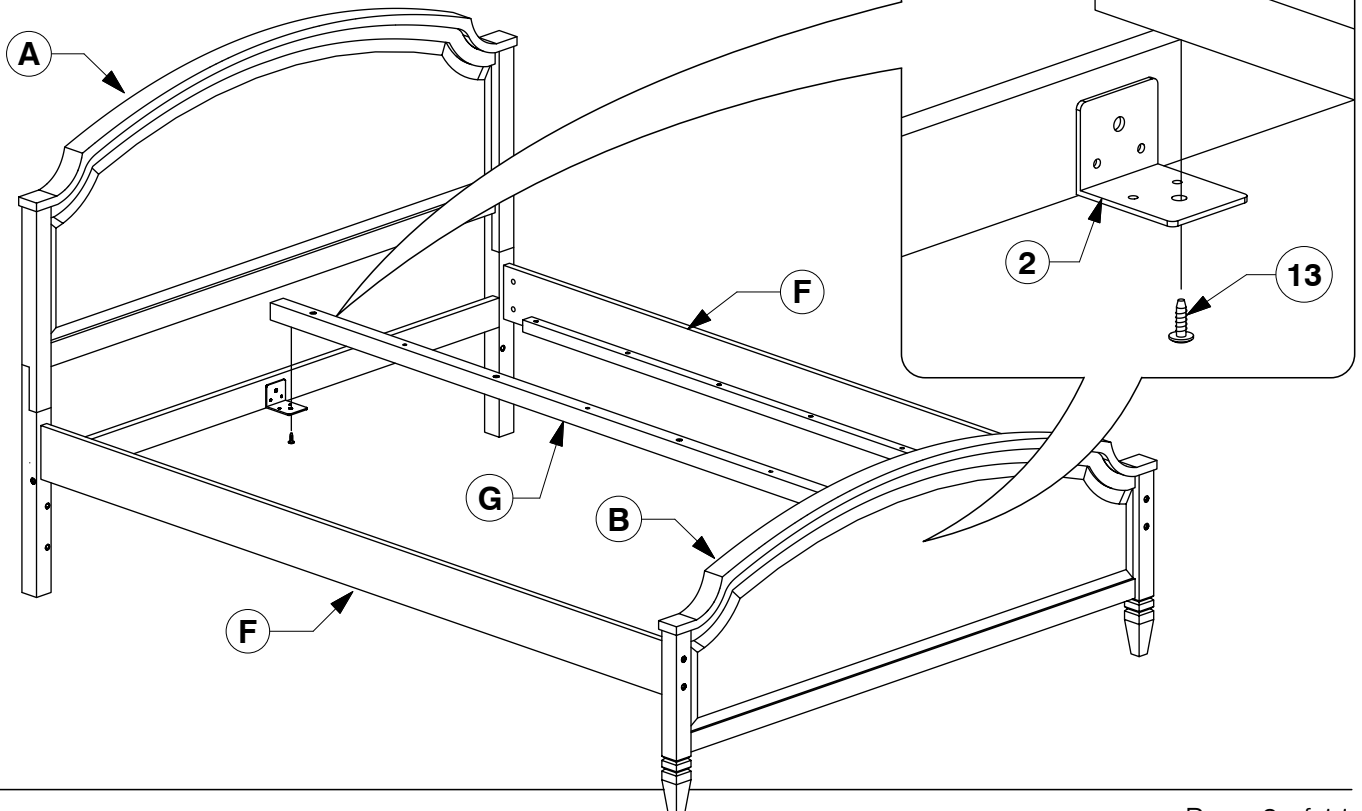
Assembly Instructions

WII-0120

- 15** Assemble the Side Rail (F) to the Headboard / Footboard (A & B).



- 16** Bolt the Long Support (G) to the Center Rail Brackets on the Headboard Panel / Footboard Panel (A & B).

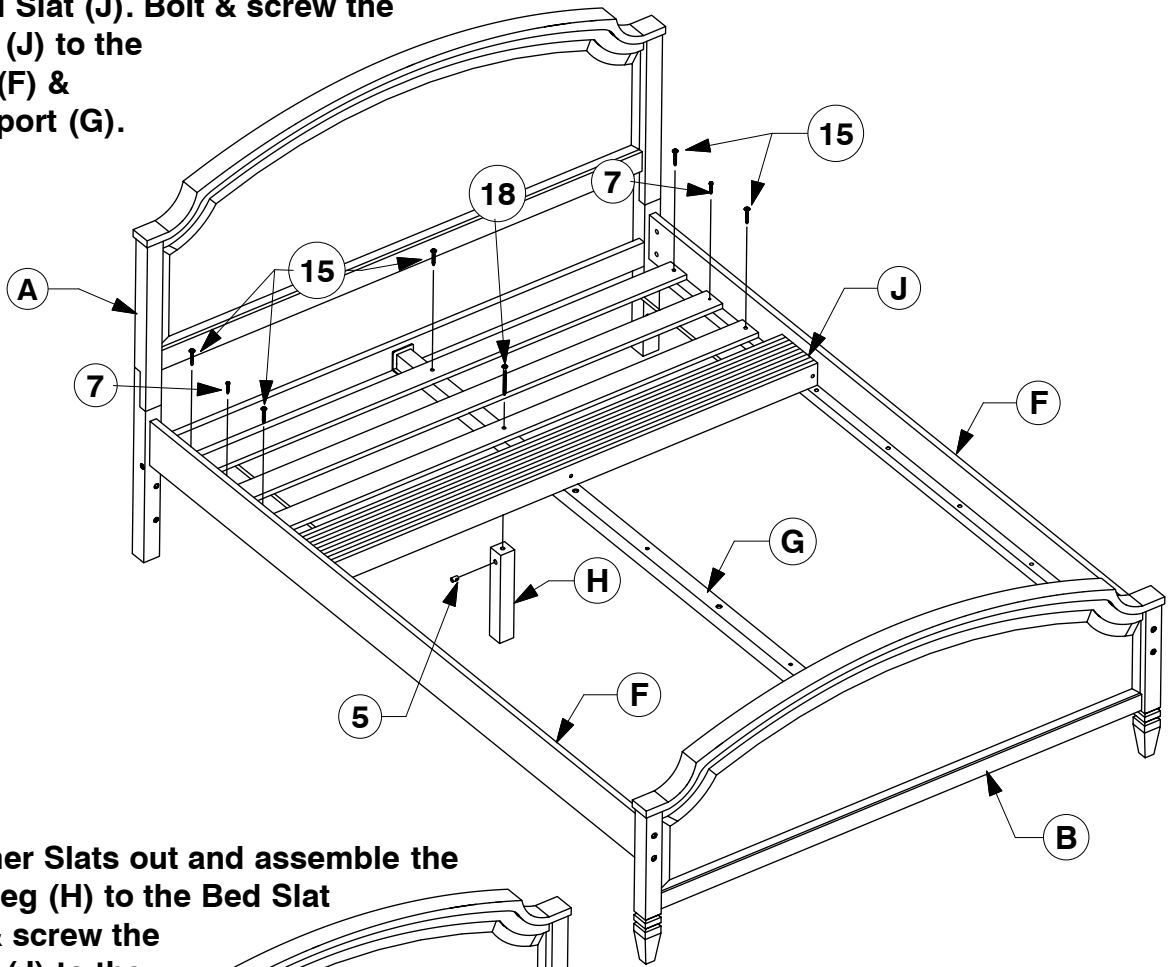


0038 Full Bed

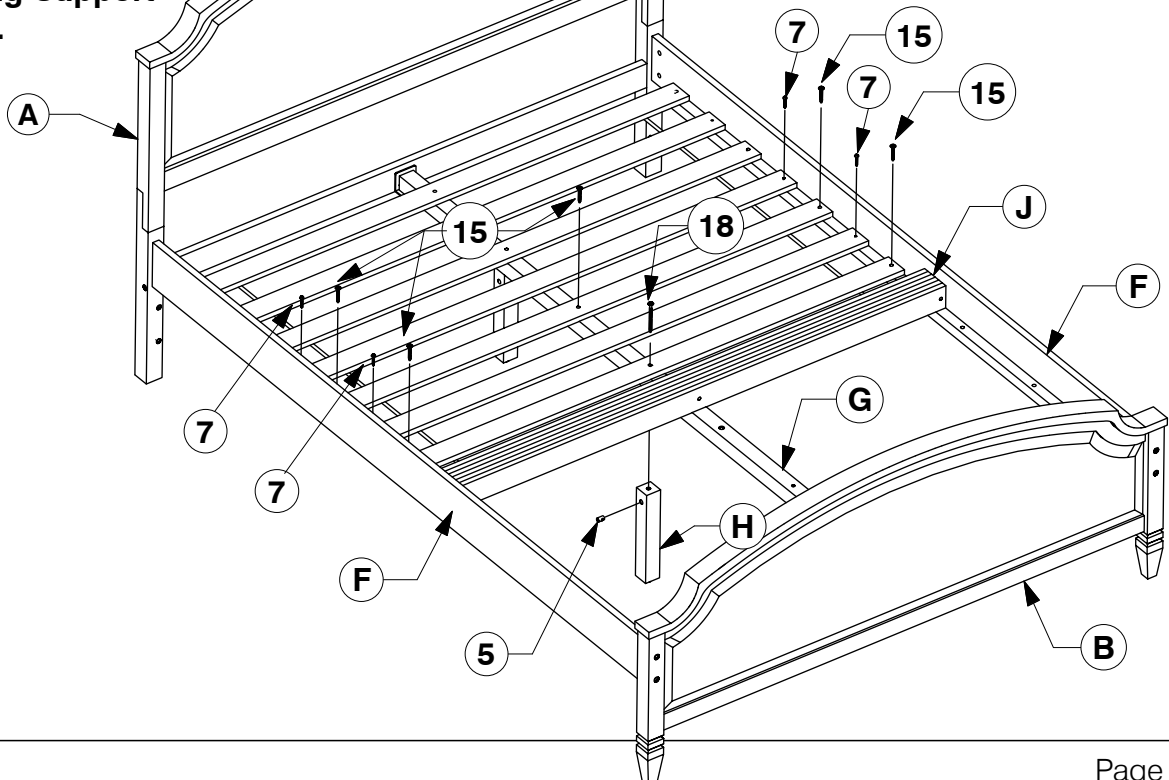
Assembly Instructions

WII-0120

- 17** Fit the first 3 Slats and assemble the Support Leg (H) to the Bed Slat (J). Bolt & screw the Bed Slats (J) to the Side Rail (F) & Long Support (G).



- 18** Fit the other Slats out and assemble the Support Leg (H) to the Bed Slat (J). Bolt & screw the Bed Slats (J) to the Side Rail (F) & Long Support (G).

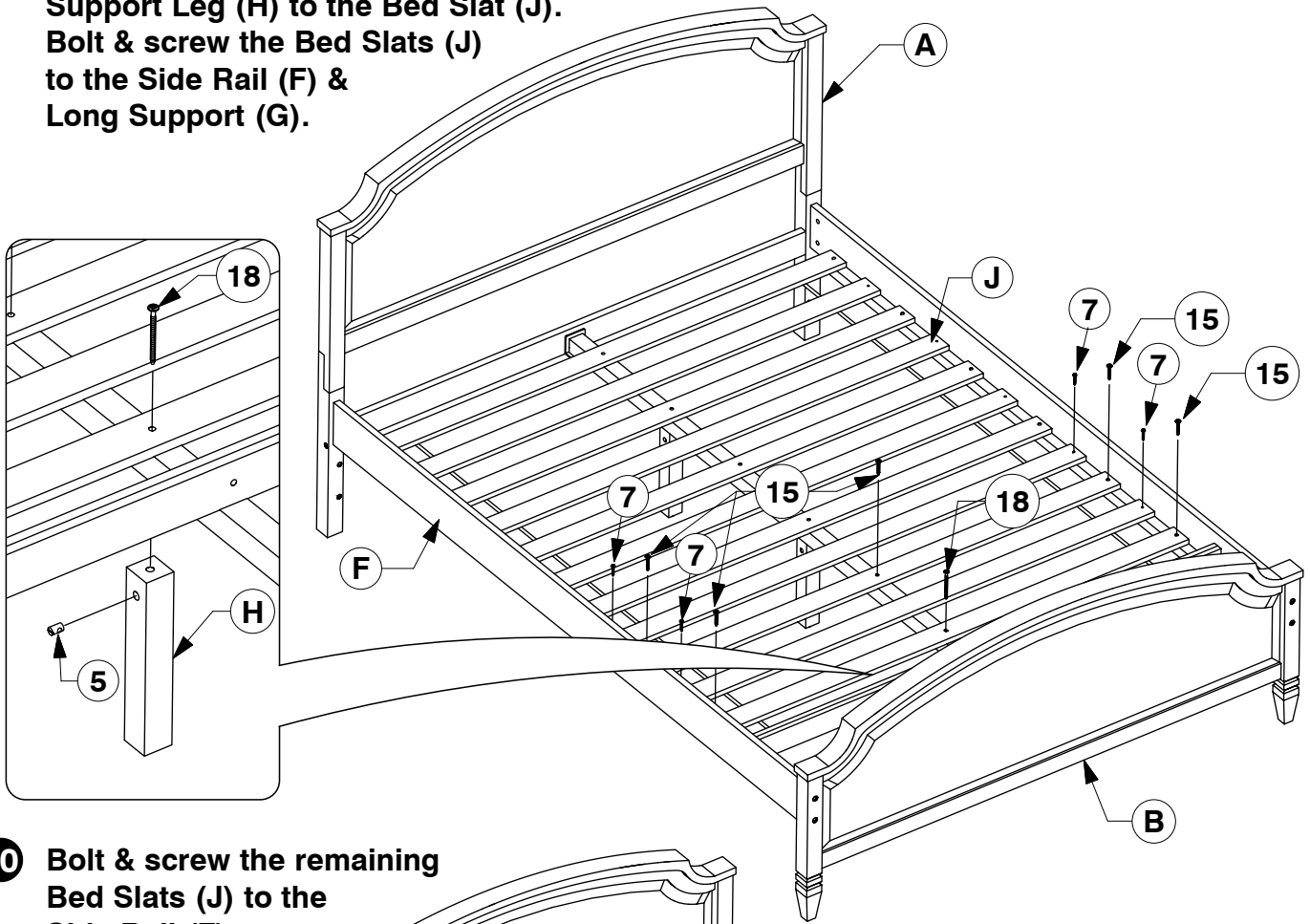


0038 Full Bed

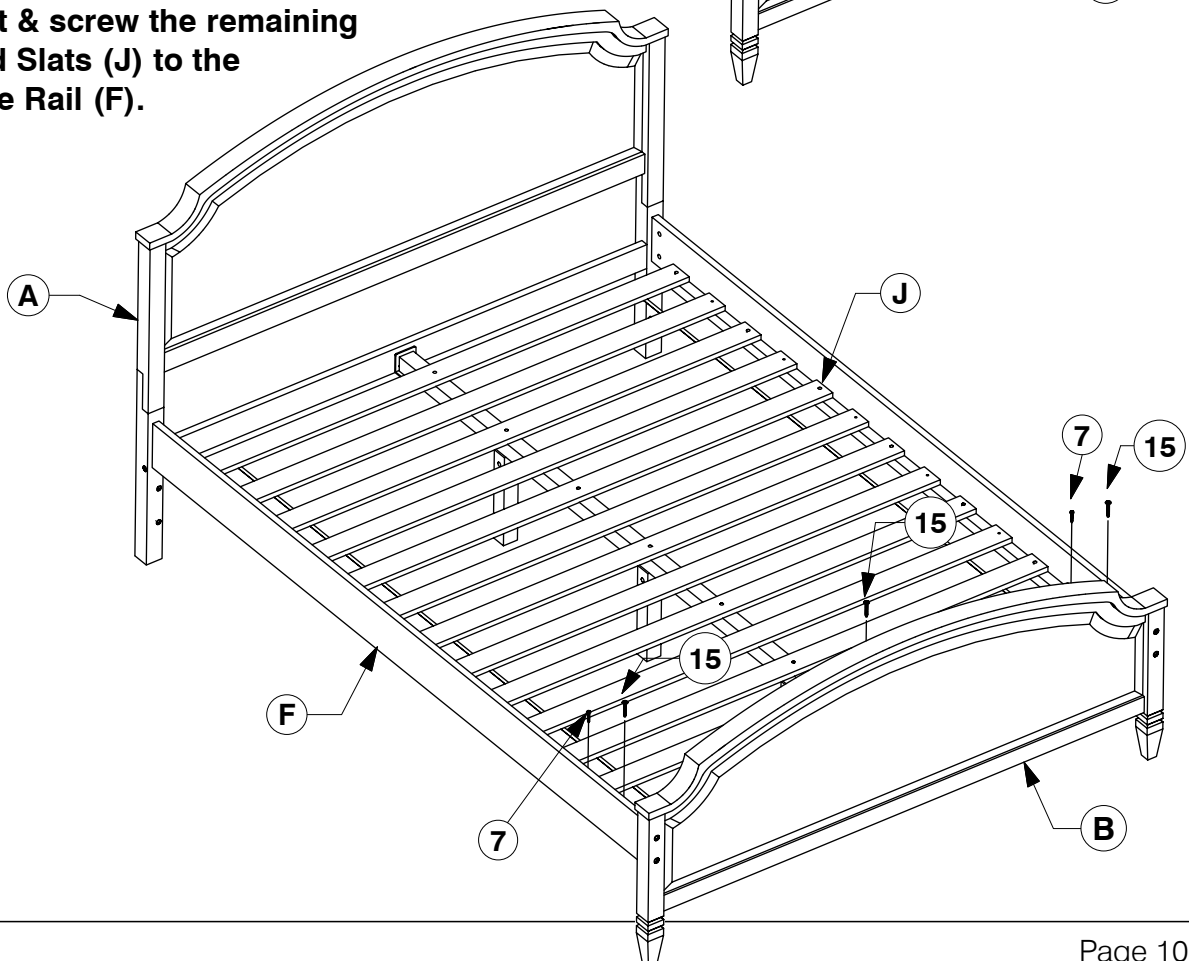
Assembly Instructions

W11-0120

- 19** Fit the other Slats out and assemble the Support Leg (H) to the Bed Slat (J). Bolt & screw the Bed Slats (J) to the Side Rail (F) & Long Support (G).



- 20** Bolt & screw the remaining Bed Slats (J) to the Side Rail (F).

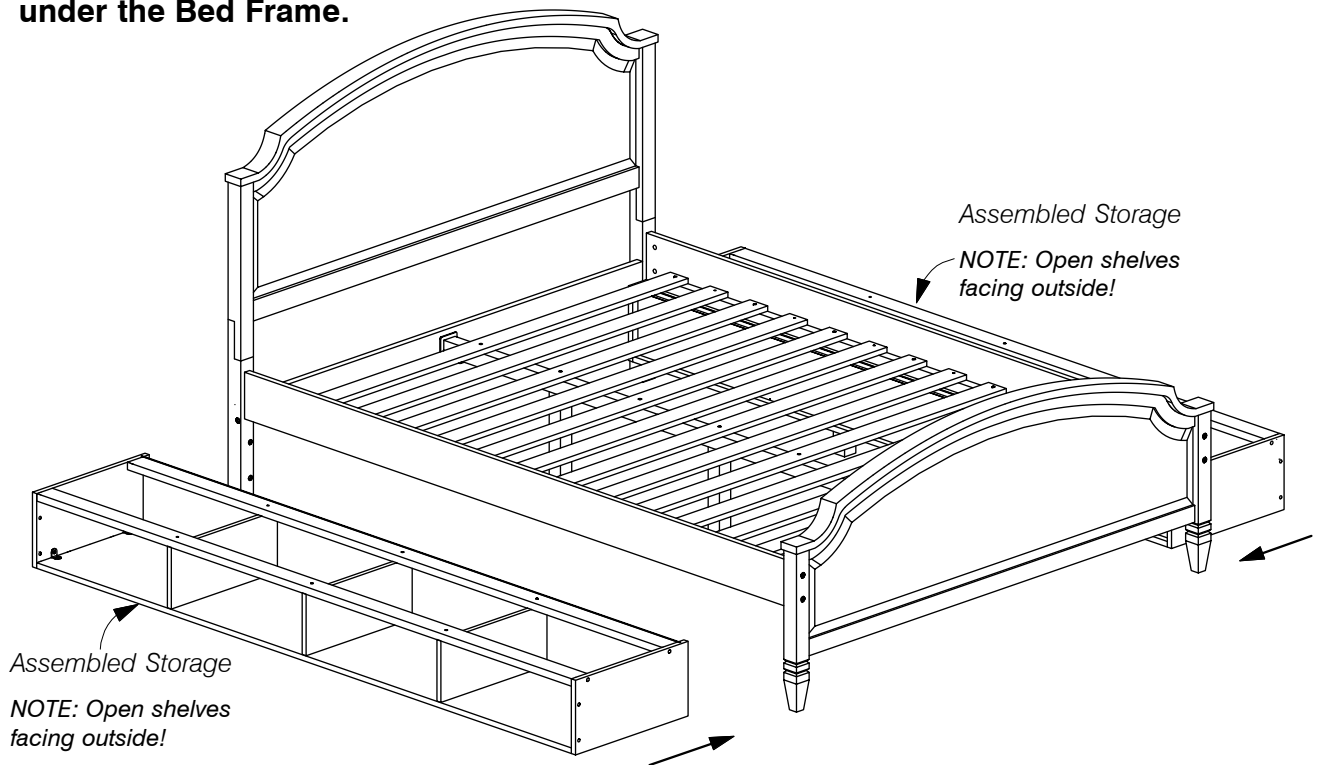


0038 Full Bed

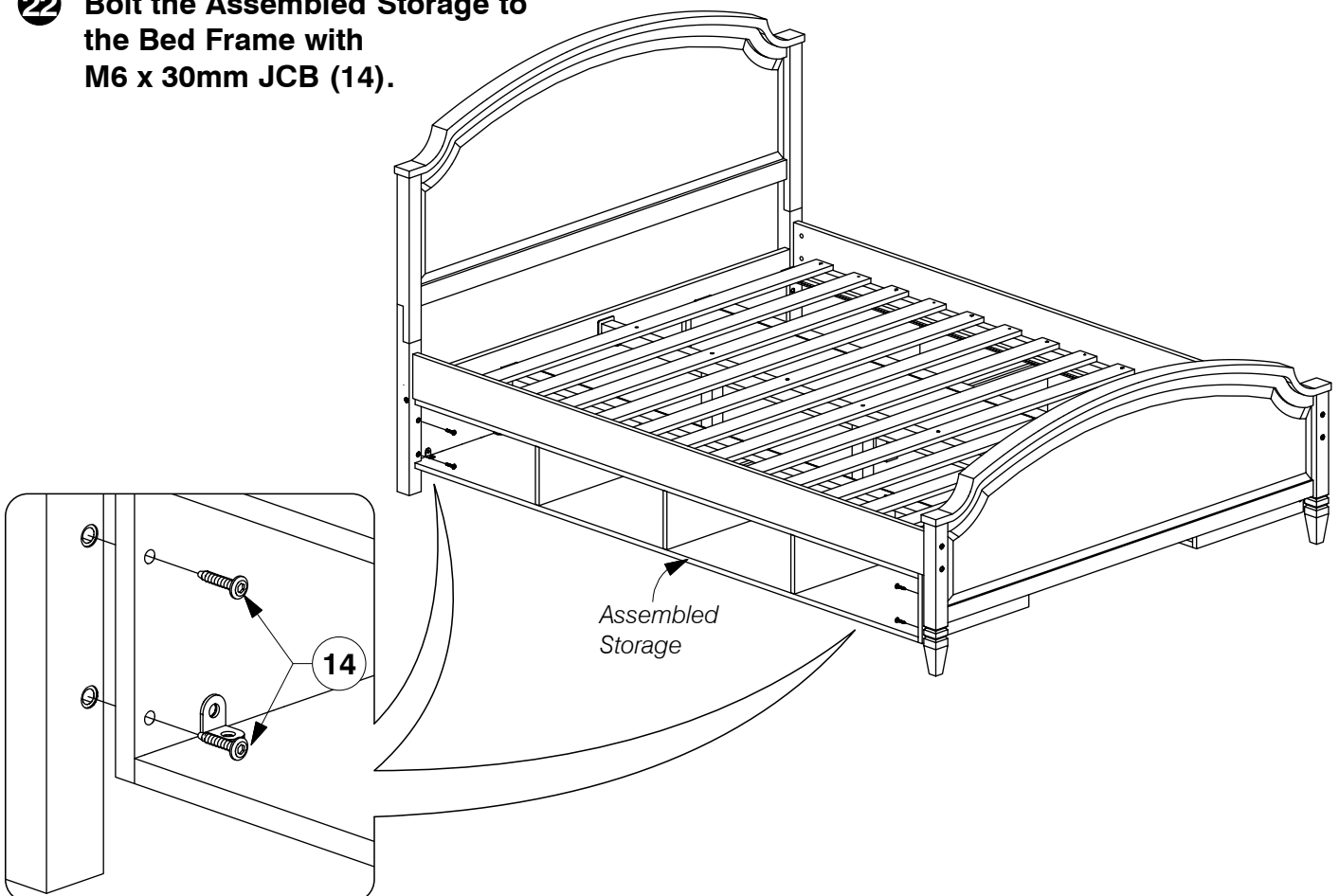
Assembly Instructions

W11-0120

- 21** Fit the Assembled Storage under the Bed Frame.



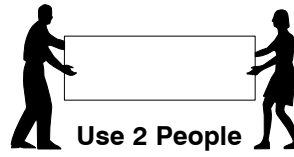
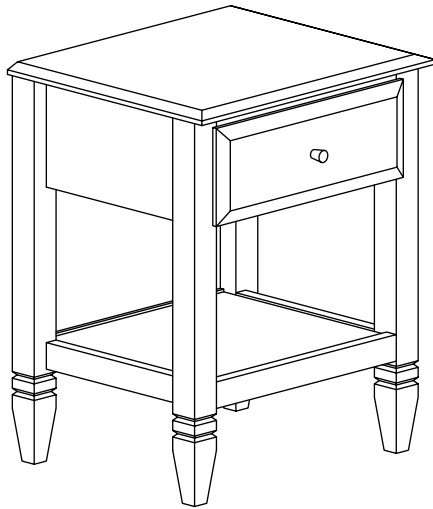
- 22** Bolt the Assembled Storage to the Bed Frame with M6 x 30mm JCB (14).



0038 Nightstand

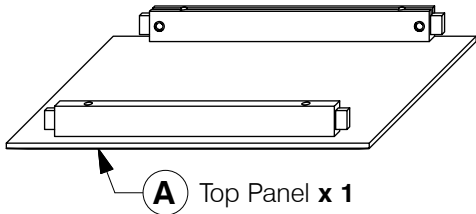
Assembly Instructions

WII-0120

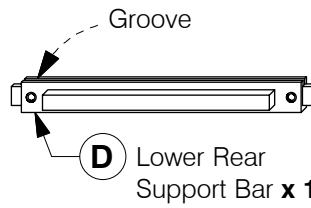


Note: Do not assemble using power tools. This can cause the bolts to be overtightened

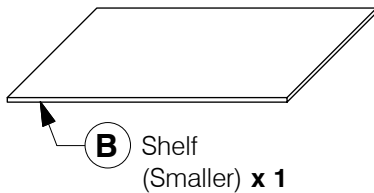
1 Parts List



A Top Panel x 1



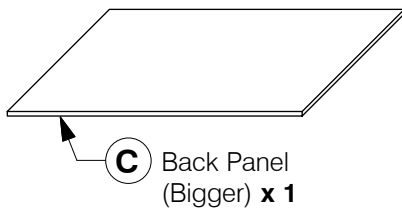
D Lower Rear Support Bar x 1



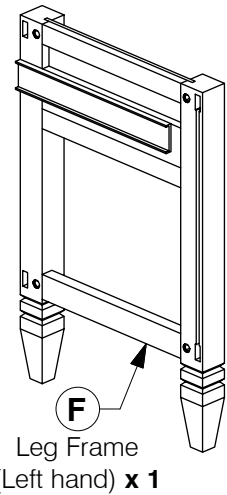
B Shelf (Smaller) x 1



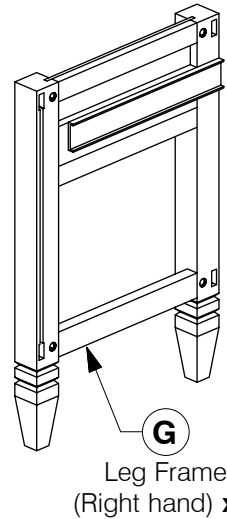
E Lower Front Support Bar x 1



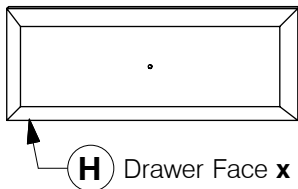
C Back Panel (Bigger) x 1



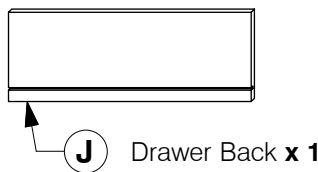
F Leg Frame (Left hand) x 1



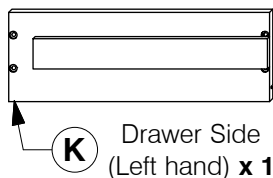
G Leg Frame (Right hand) x 1



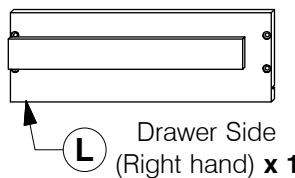
H Drawer Face x 1



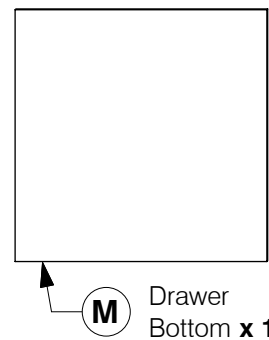
J Drawer Back x 1



K Drawer Side (Left hand) x 1



L Drawer Side (Right hand) x 1



M Drawer Bottom x 1

0038 Nightstand

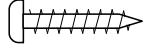
Assembly Instructions

WII-0120

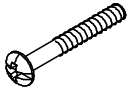
2 Hardware List



1 M6 x 15mm JCB
x 16



2 M4 x 25mm Wood Screw
x 8



3 M4 x 22mm Wood Screw
x 1



4 L' Bracket (5005-3)
x 8

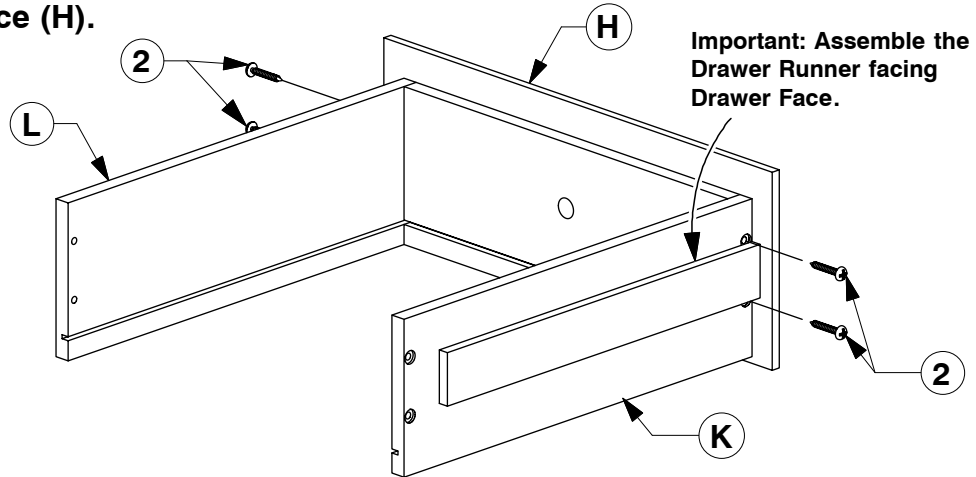


5 Handle (1005)
x 1

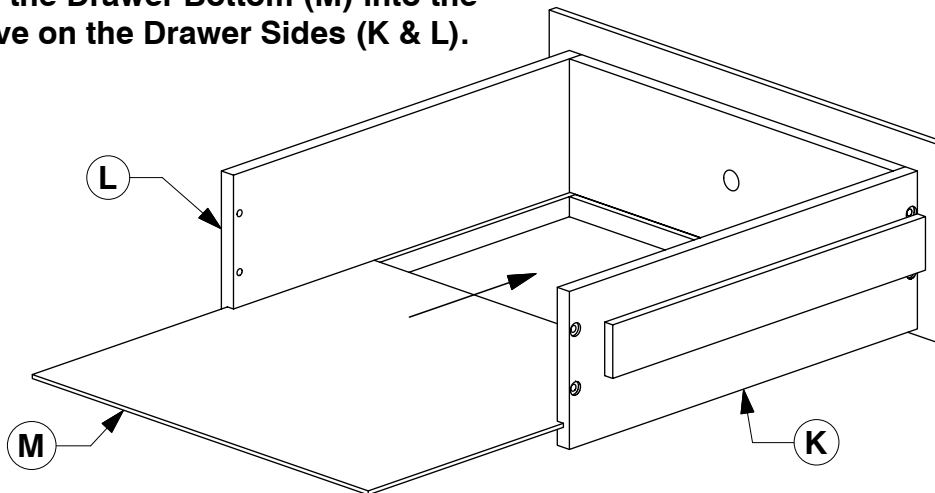


6 Allen Key
x 1

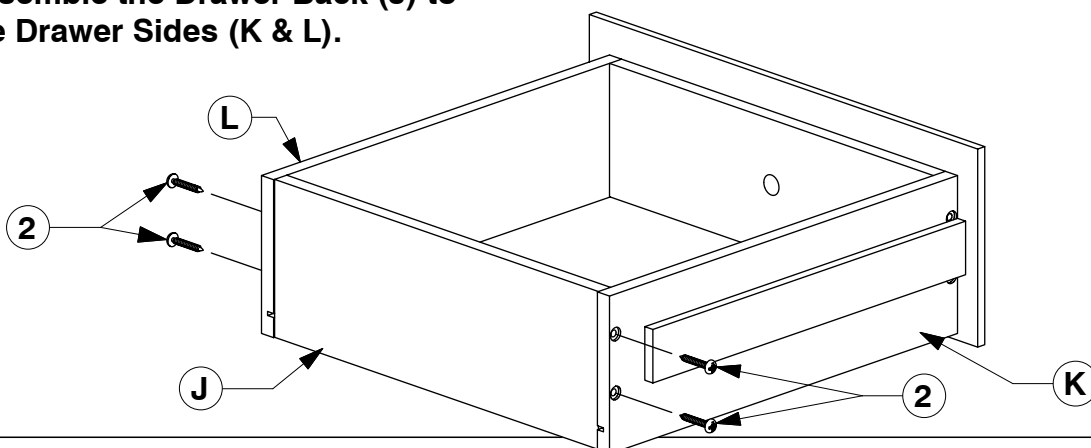
3 Assemble the Drawer Sides (K & L) to the Drawer Face (H).



4 Slide the Drawer Bottom (M) into the groove on the Drawer Sides (K & L).



5 Assemble the Drawer Back (J) to the Drawer Sides (K & L).

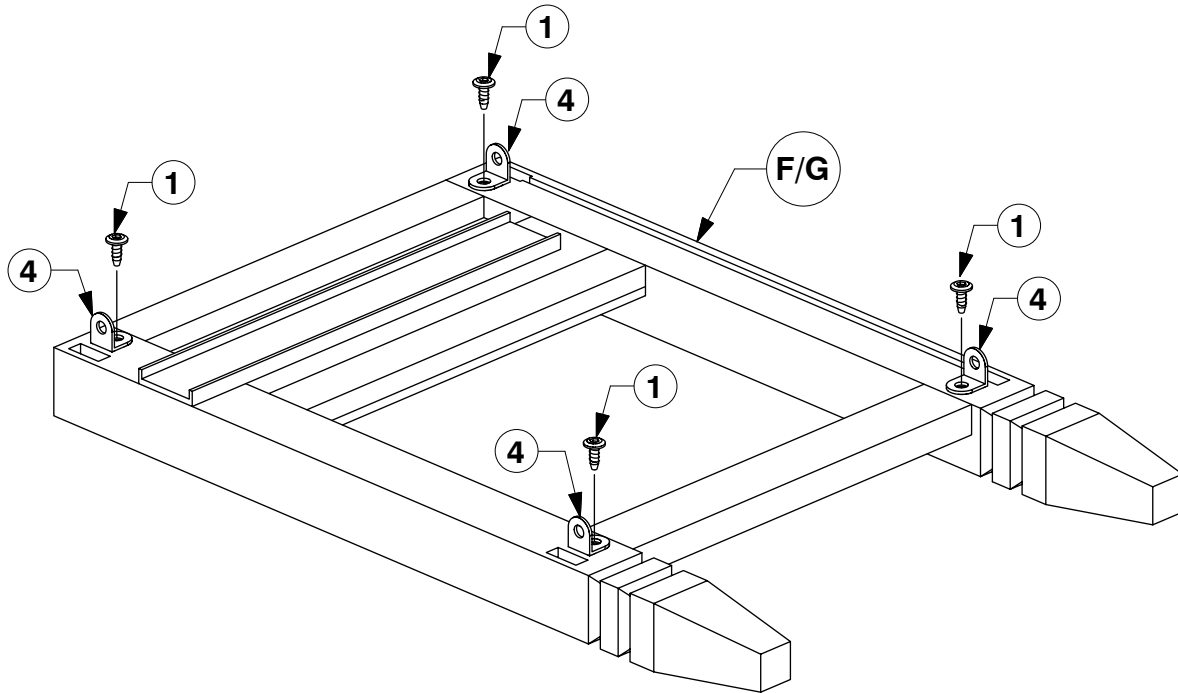


0038 Nightstand

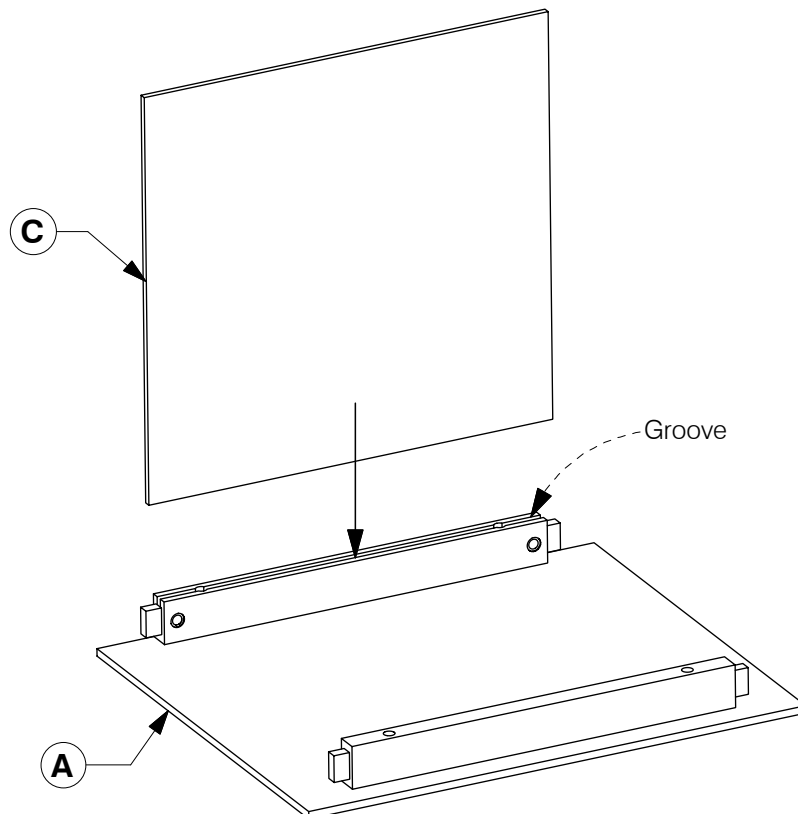
Assembly Instructions

WII-0120

- 6** Fit the 'L' Bracket to the Left & Right hand Leg Frame (F & G).



- 7** Fit the Back Panel (C) to the Top Panel (A).

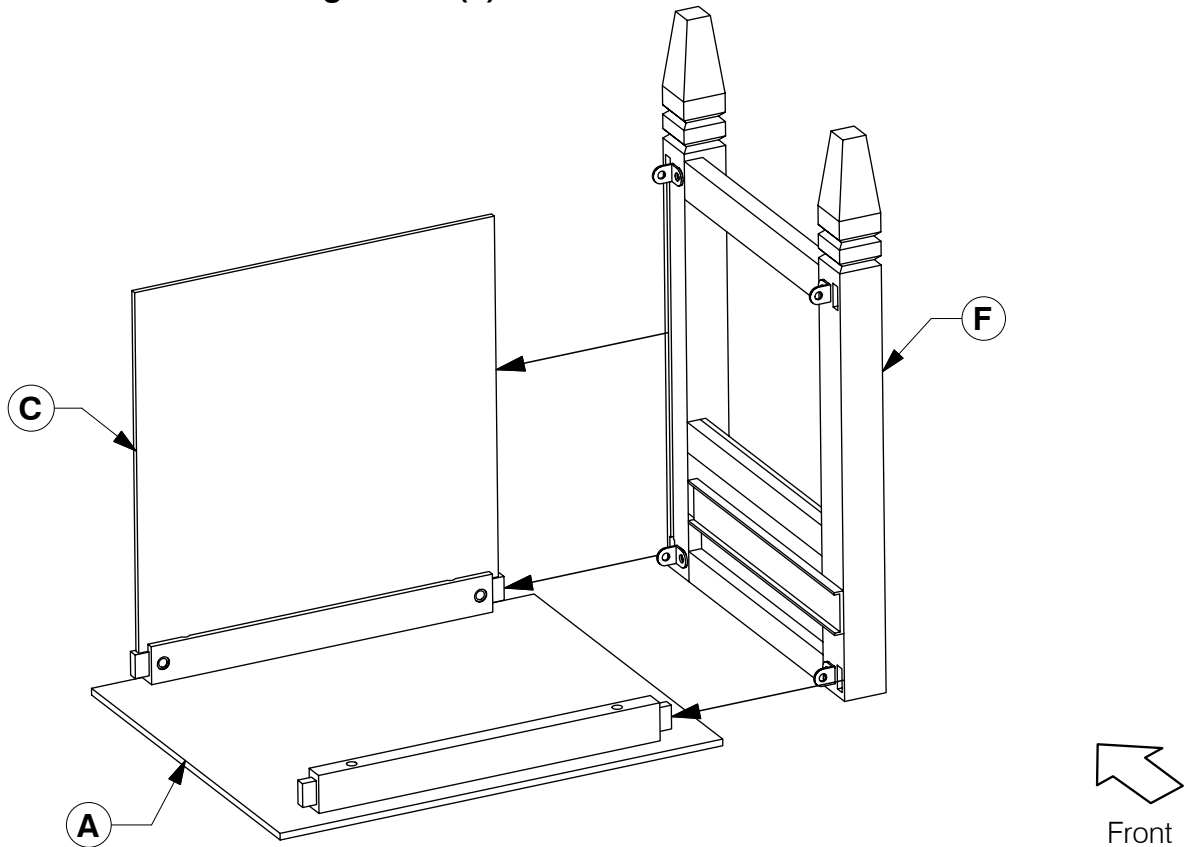


0038 Nightstand

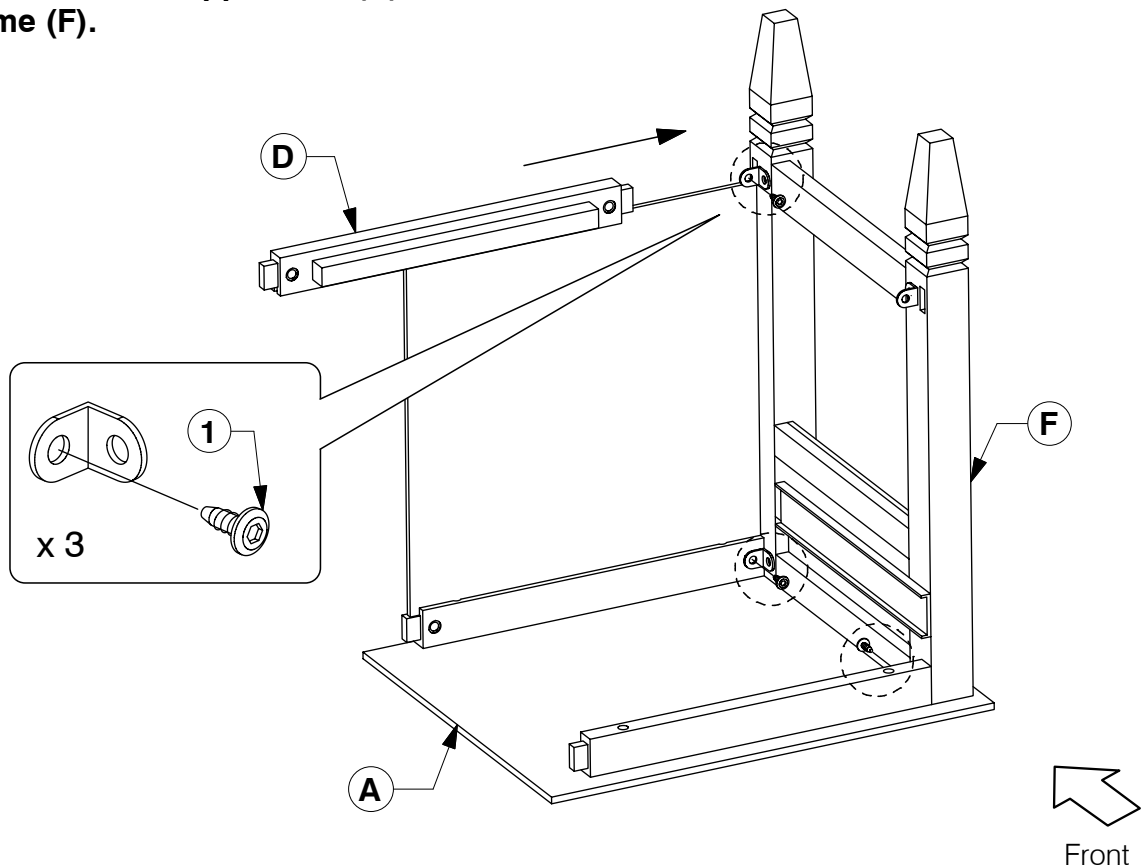
Assembly Instructions

WII-0120

8 Assemble the Left hand Leg Frame (F).



9 Fit the Lower Rear Support Bar (D) to the Left hand Leg Frame (F).

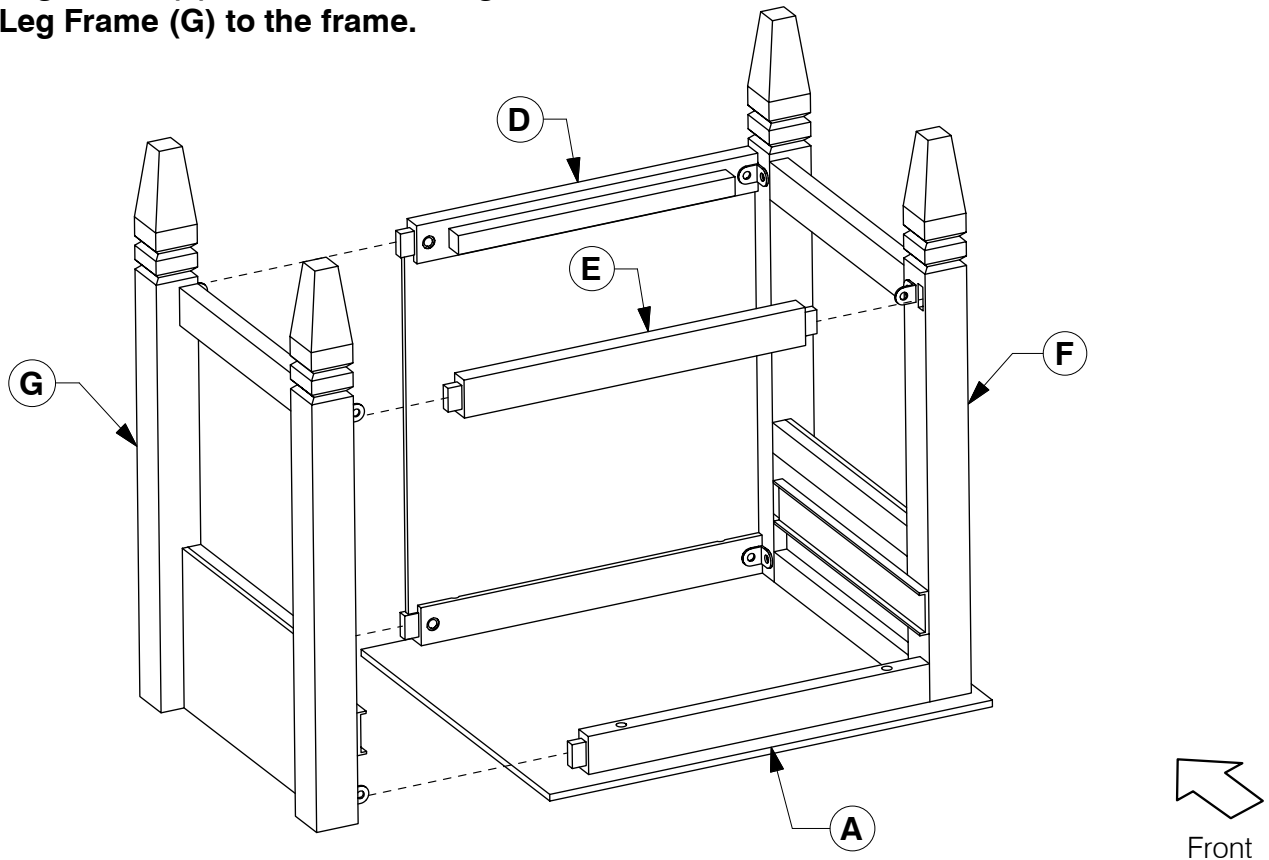


0038 Nightstand

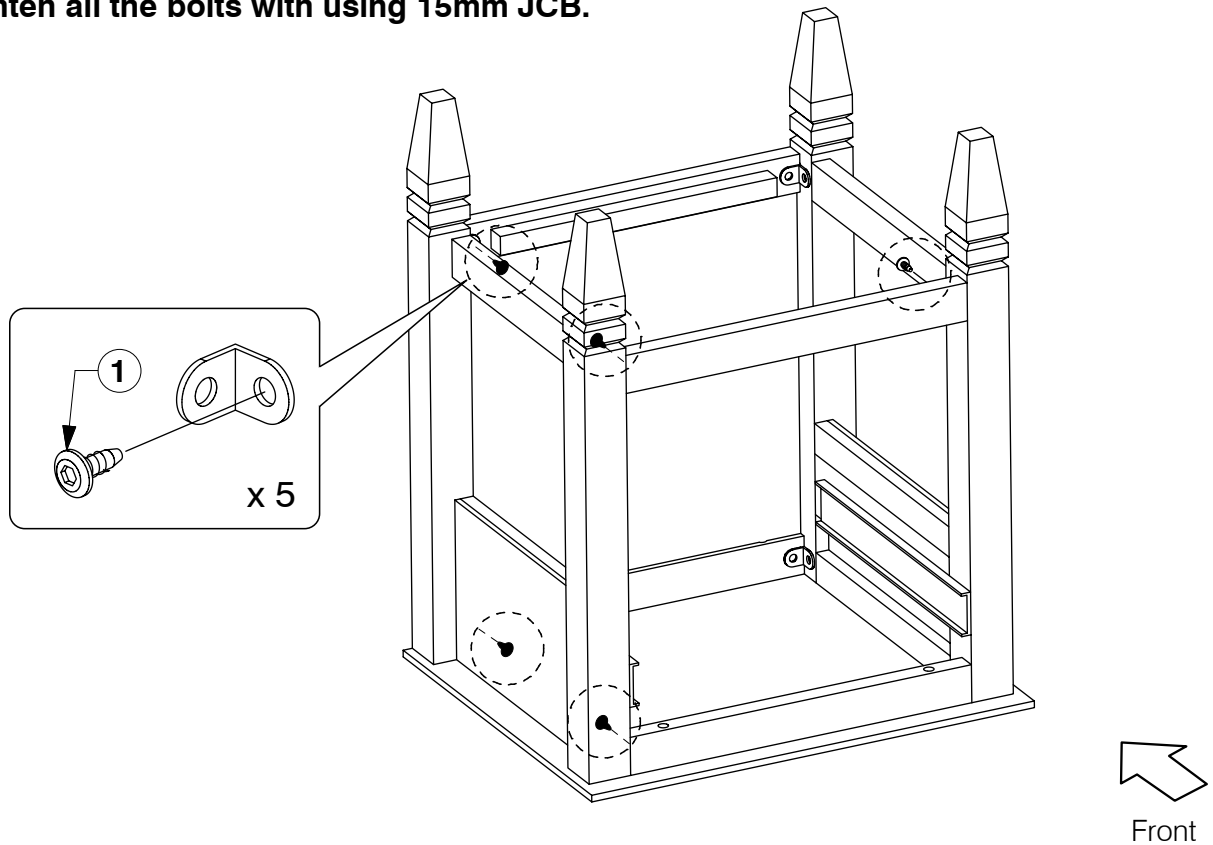
Assembly Instructions

WII-0120

- 10** Fit the Lower Front Support Bar (E) to the Left hand Leg Frame (F). Assemble the Right hand Leg Frame (G) to the frame.



- 11** Tighten all the bolts with using 15mm JCB.

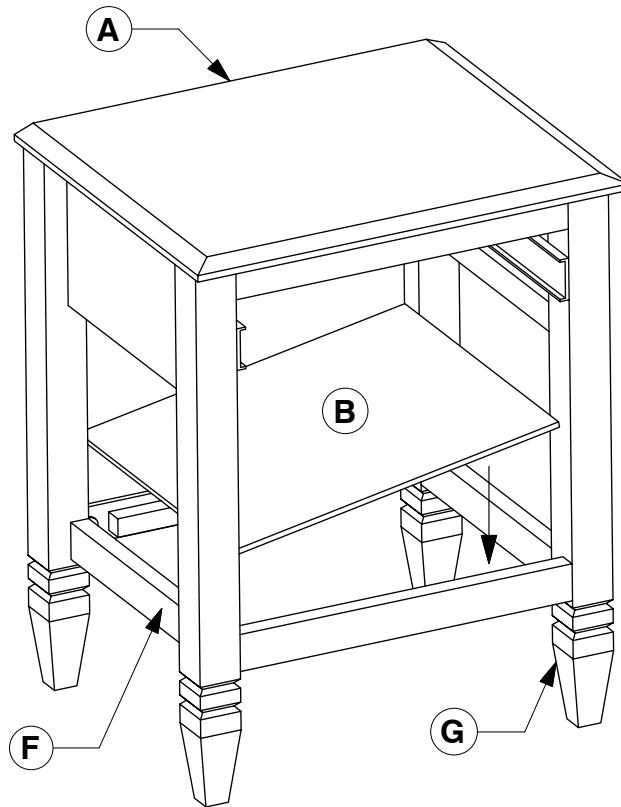


0038 Nightstand

Assembly Instructions

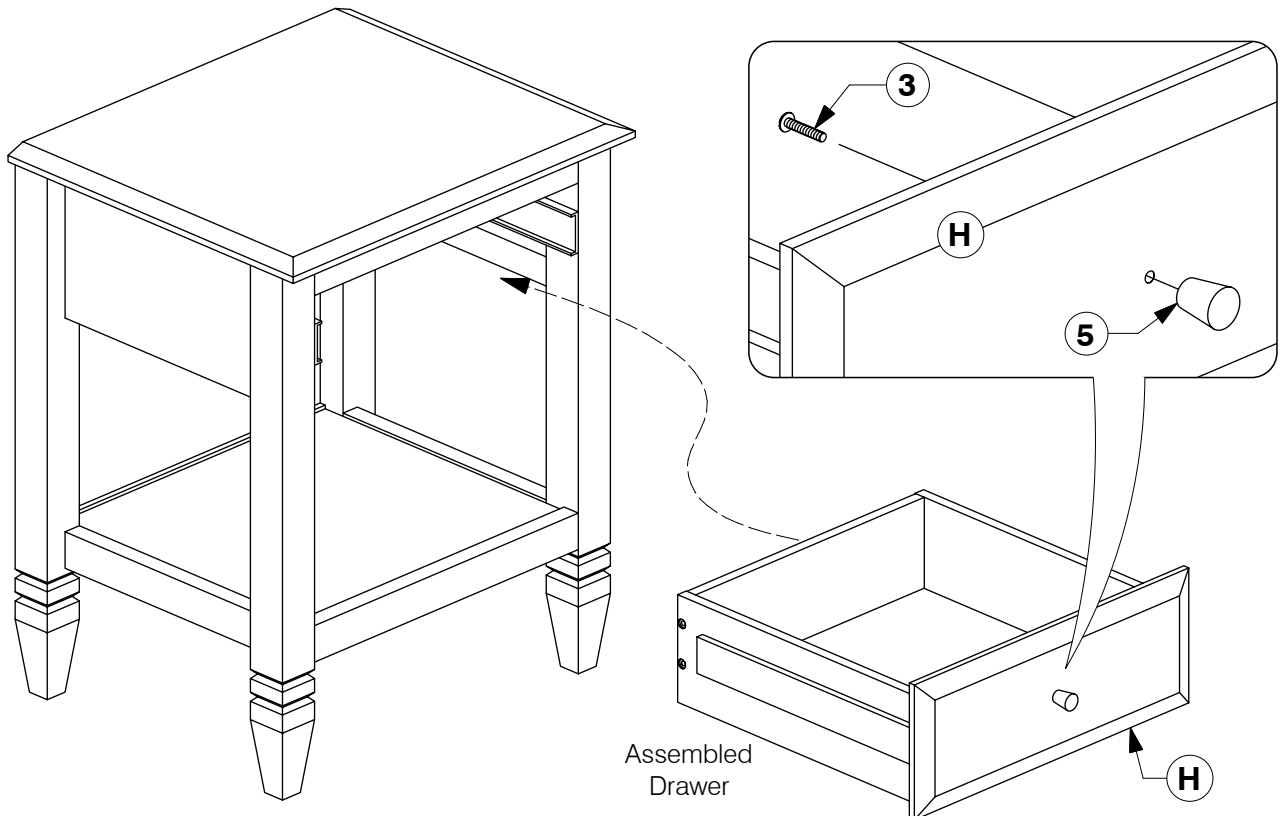
WII-0120

12 Fit the Shelf (B).



Front

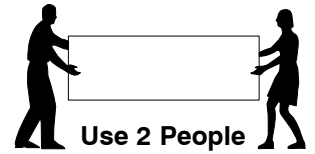
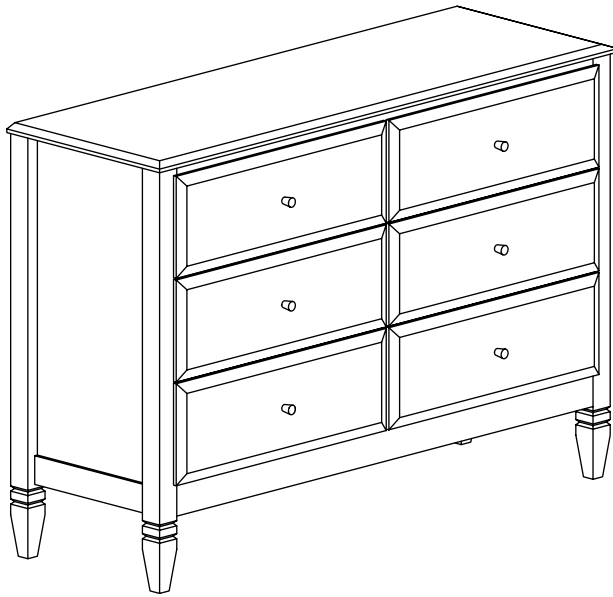
13 Fit the Handle to the Drawer face (H). Finally, fit the assembled Drawer.



0038 6 Drawer Dresser

Assembly Instructions

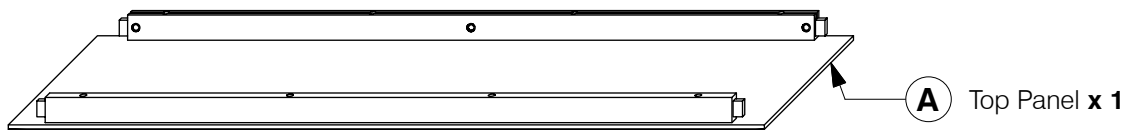
WII-0120



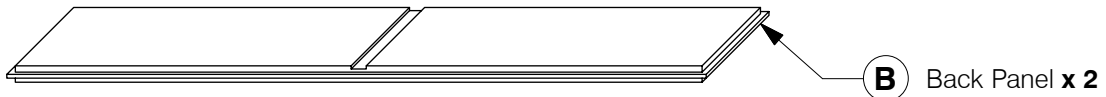
Note: Do not assemble using power tools. This can cause the bolts to be overtightened

1 Parts List

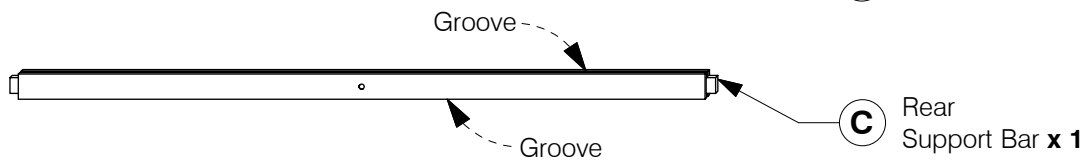
Parts in Box A:



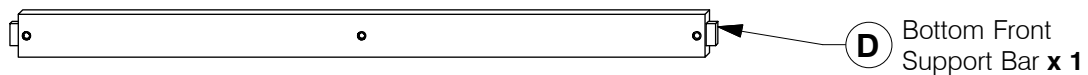
A Top Panel x 1



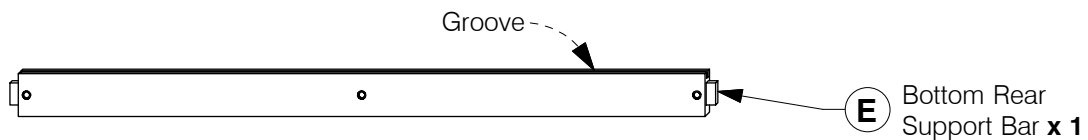
B Back Panel x 2



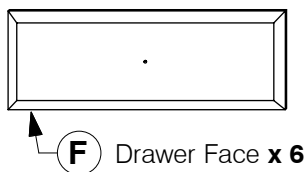
C Rear Support Bar x 1



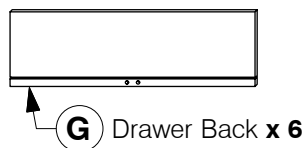
D Bottom Front Support Bar x 1



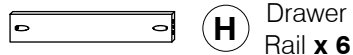
E Bottom Rear Support Bar x 1



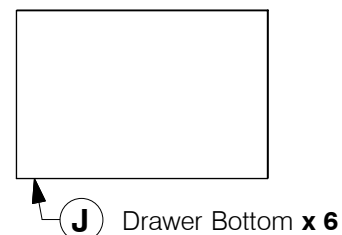
F Drawer Face x 6



G Drawer Back x 6



H Drawer Rail x 6



J Drawer Bottom x 6

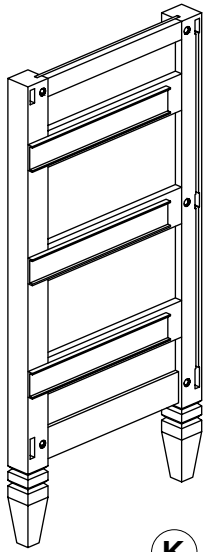
0038 6 Drawer Dresser

Assembly Instructions

WII-0120

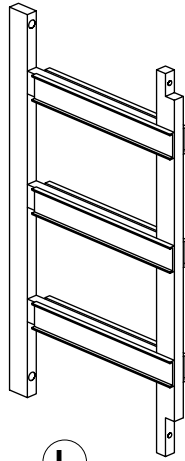
1 Parts List

Parts in Box B:



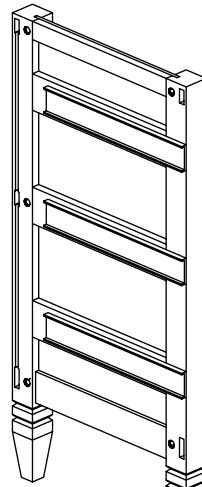
K

Leg Frame
(Left Hand) x 1



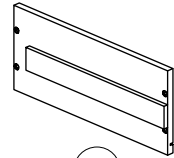
L

Center Frame
x 1



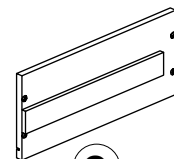
M

Leg Frame
(Right Hand) x 1



N

Drawer Side
(Left Hand) x 6



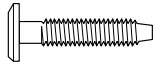
O

Drawer Side
(Right Hand) x 6

2 Hardware List



1 M6 x
15mm JCB
x 20



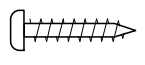
2 M6 x
30mm JCB
x 4



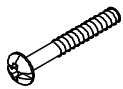
3 M6 x
40mm JCB
x 1



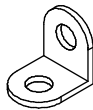
4 M6 x 25mm
Wood Dowel
x 24



5 M4 x 25mm
Wood Screw
x 60



6 M4 x 22mm
Wood Screw
x 6



7 'L' Bracket
(5005-3) x 10



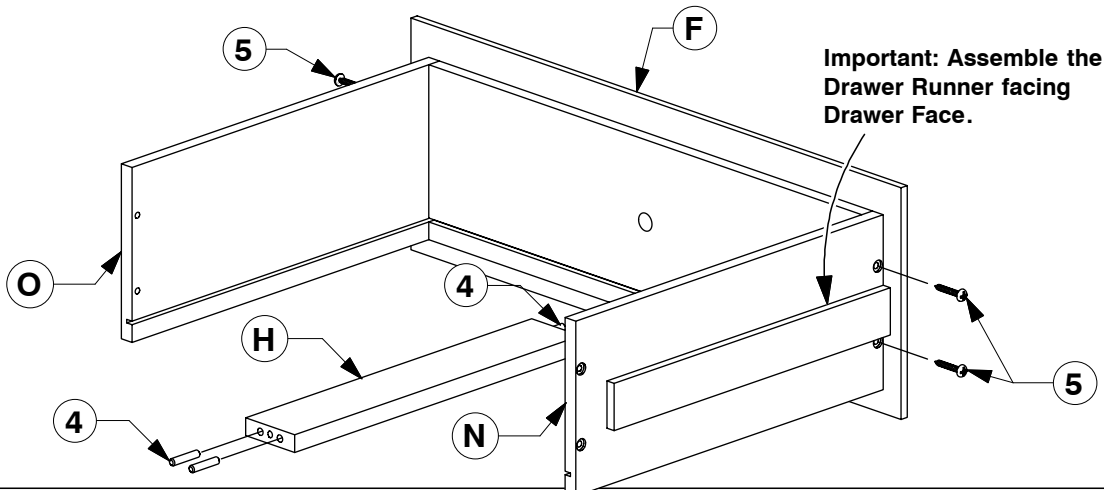
8 Handle
(1005) x 6



9 Allen Key
x 1

3 Assemble the Drawer Sides (N & O) & Drawer Rail (H) to the Drawer Face (F).

x6



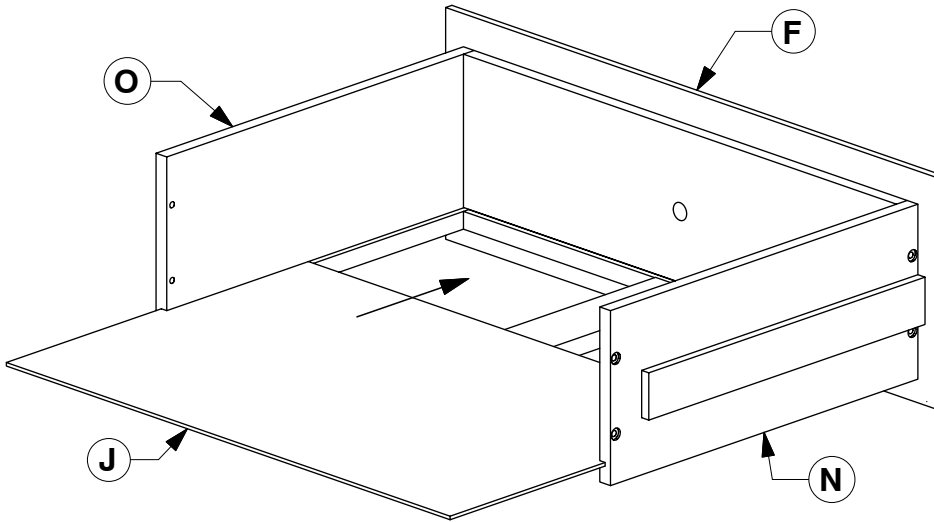
0038 6 Drawer Dresser

Assembly Instructions

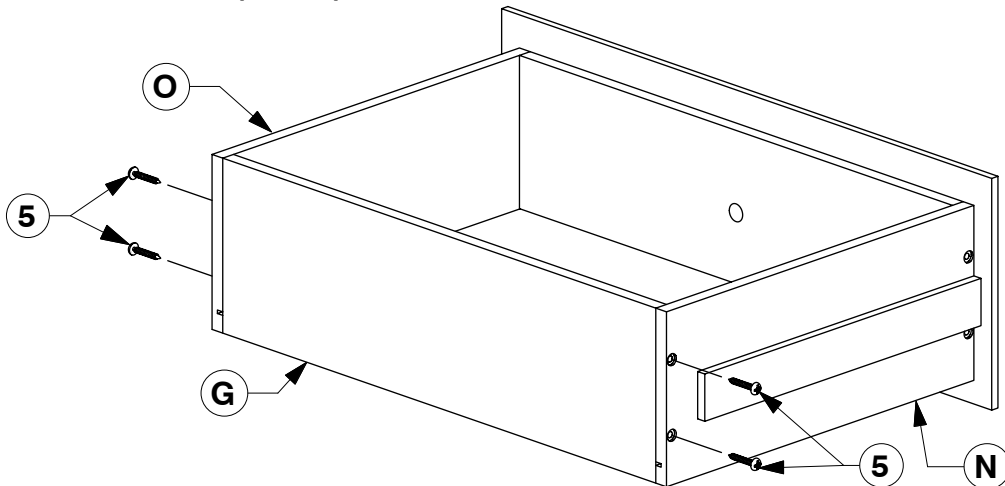
WII-0120

- 4** Slide the Drawer Bottom (J) into the groove on the Drawer Sides (N & O).

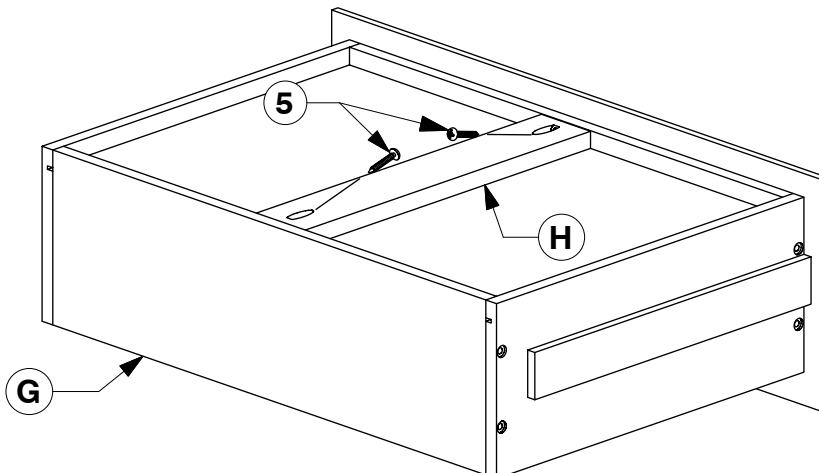
x6



- 5** Assemble the Drawer Back (G) to the Drawer Sides (N & O).



- 6** Turn the Drawer over to fit angled 25mm Wood screws (5) to the Drawer Rail (H).

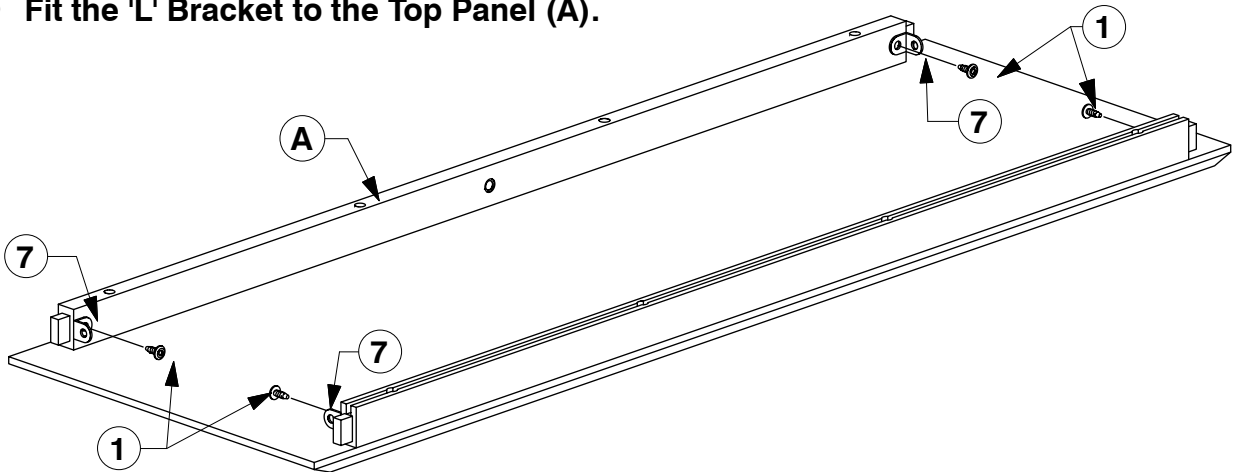


0038 6 Drawer Dresser

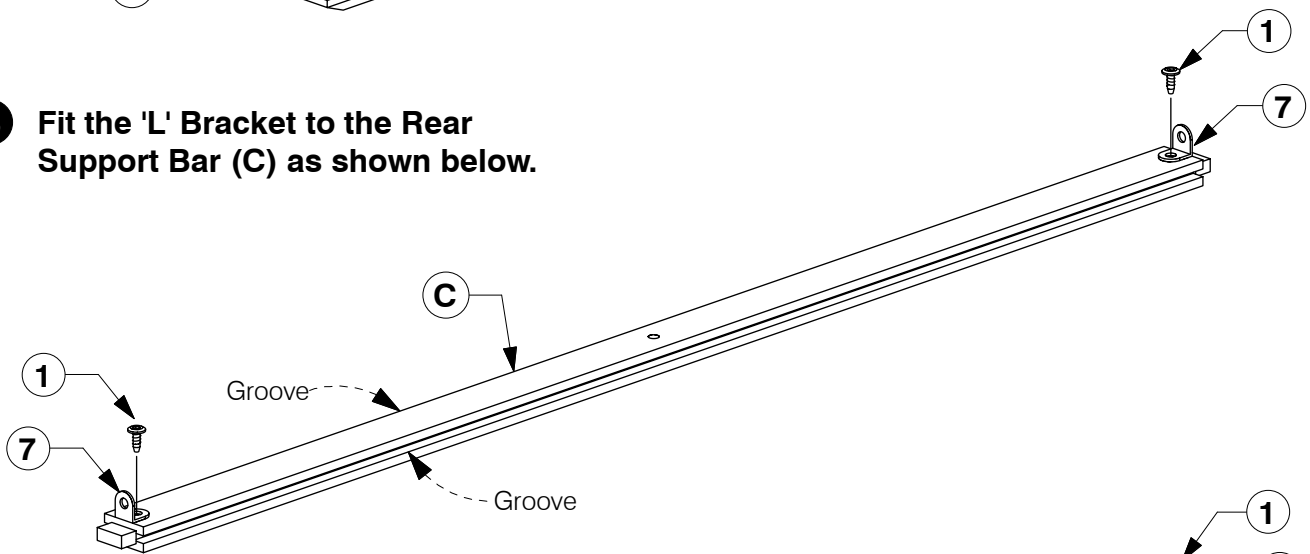
Assembly Instructions

WII-0120

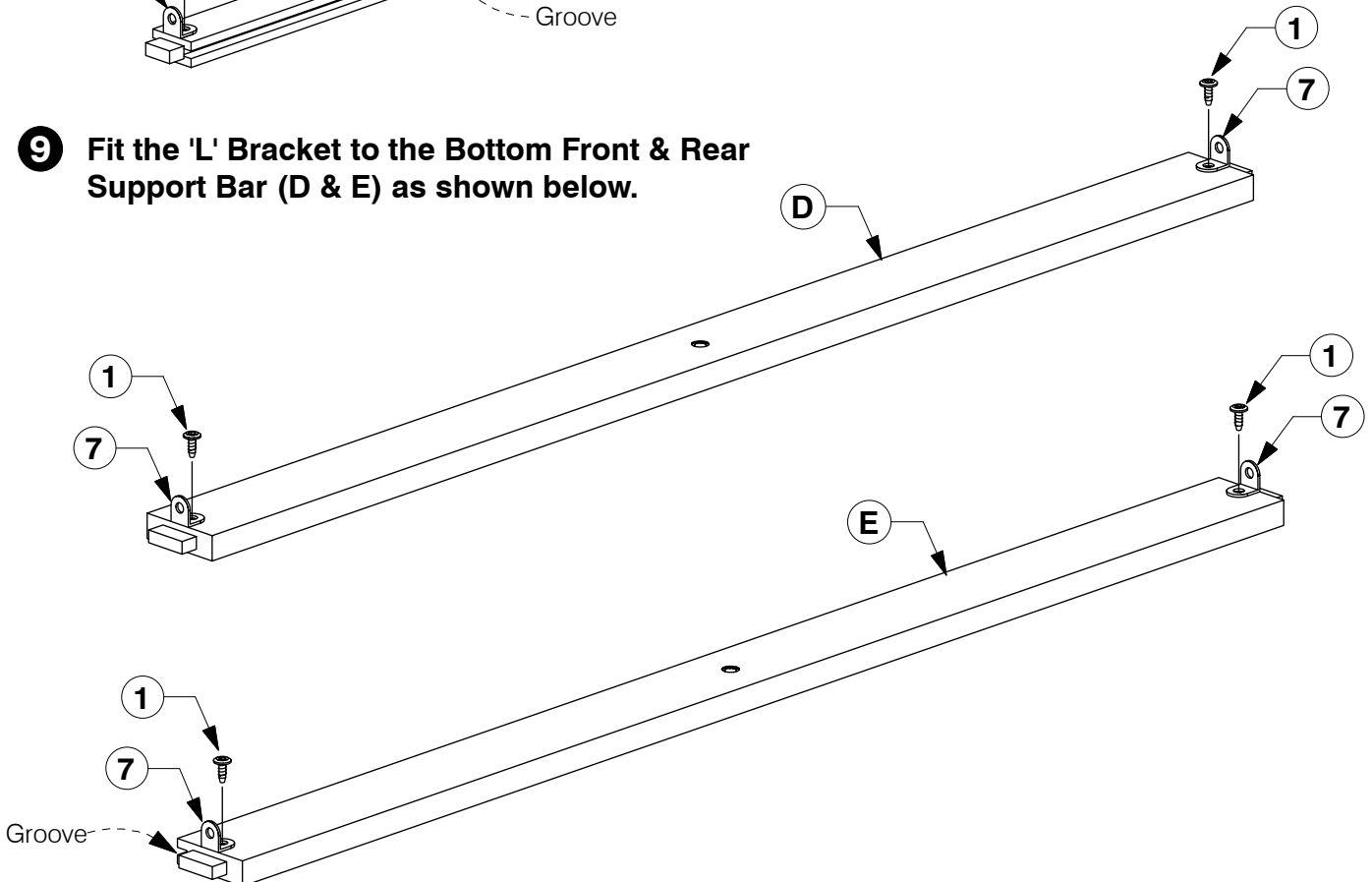
7 Fit the 'L' Bracket to the Top Panel (A).



8 Fit the 'L' Bracket to the Rear Support Bar (C) as shown below.



9 Fit the 'L' Bracket to the Bottom Front & Rear Support Bar (D & E) as shown below.

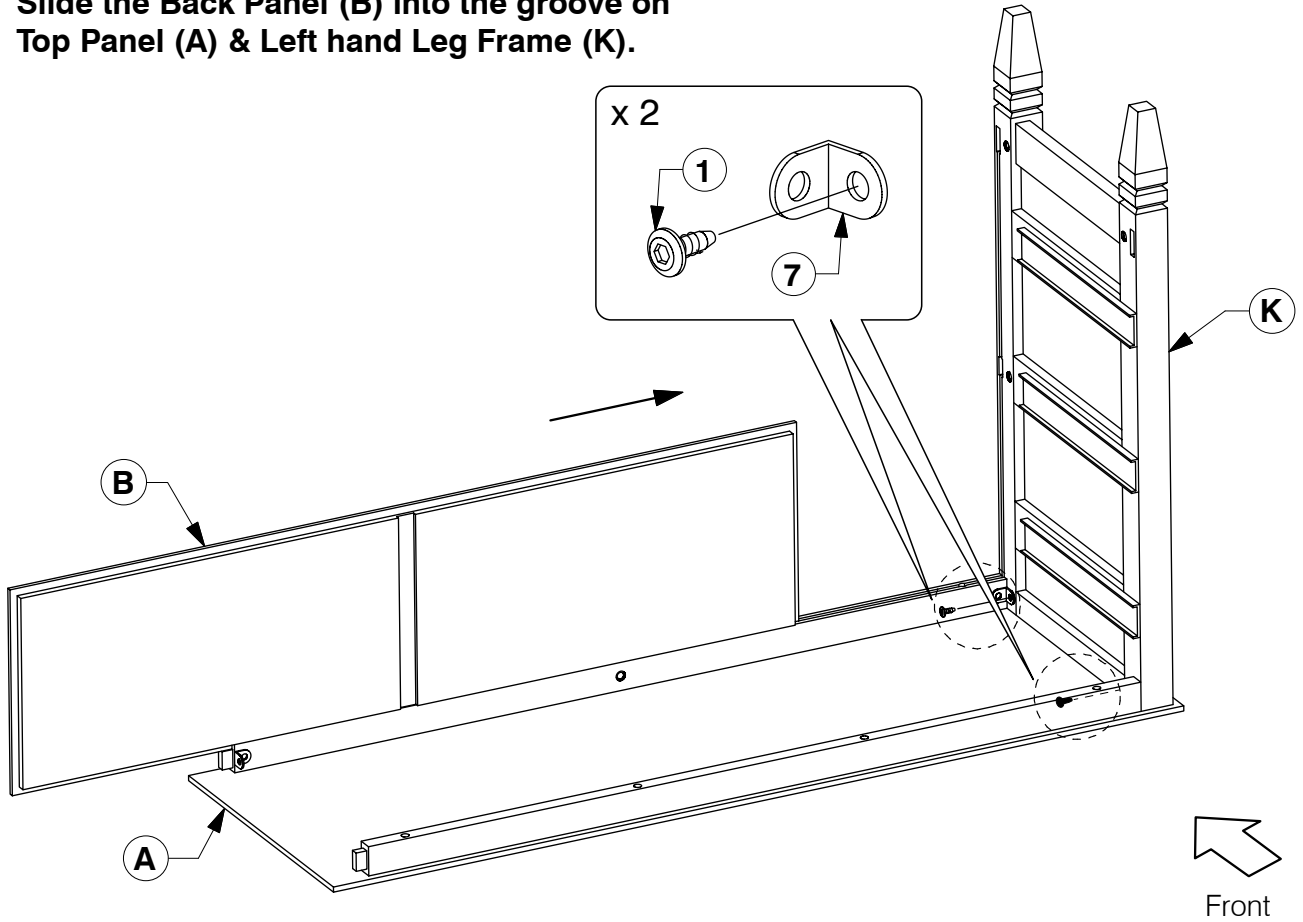


0038 6 Drawer Dresser

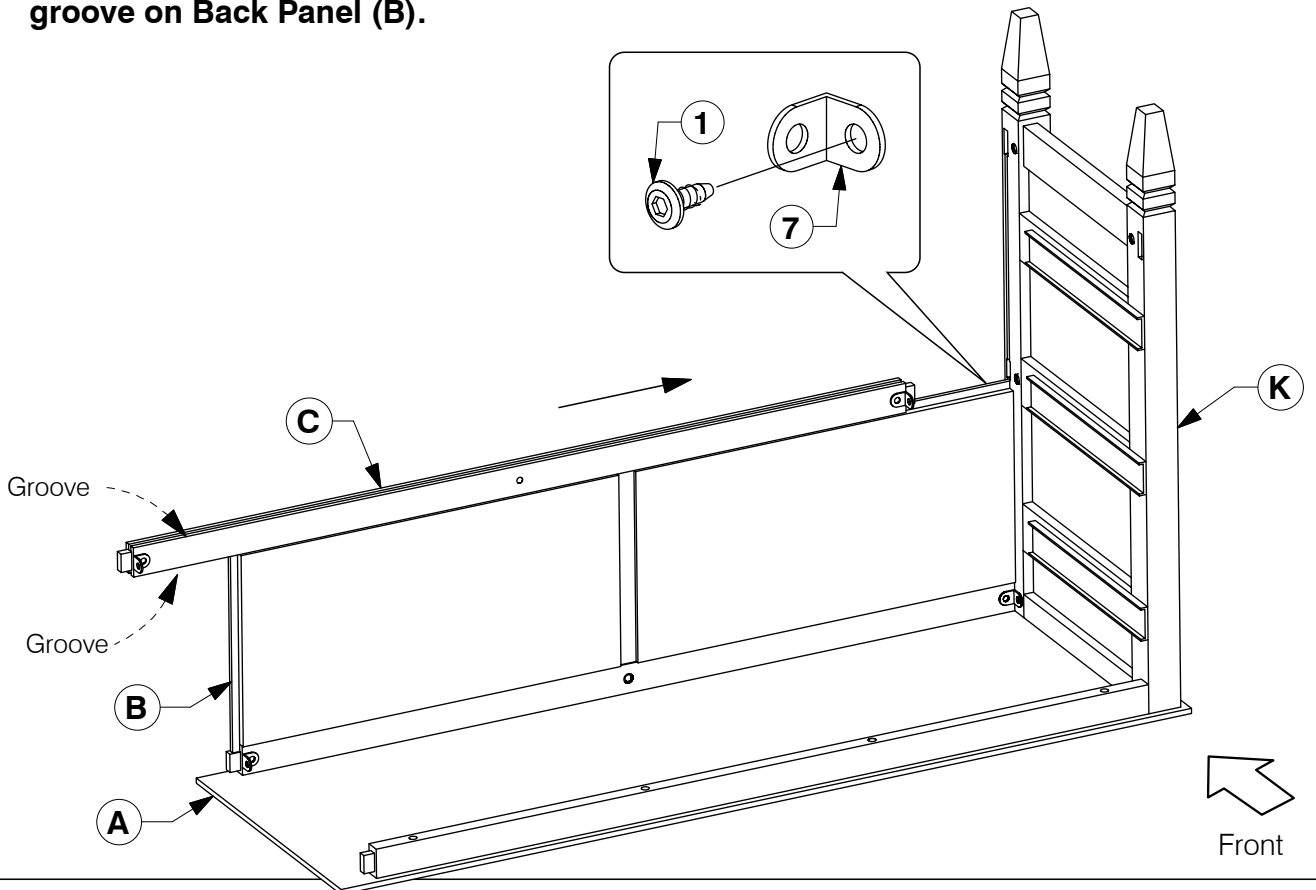
Assembly Instructions

WII-0120

- 10** Slide the Back Panel (B) into the groove on Top Panel (A) & Left hand Leg Frame (K).



- 11** Slide the Rear Support Bar (C) into the groove on Back Panel (B).

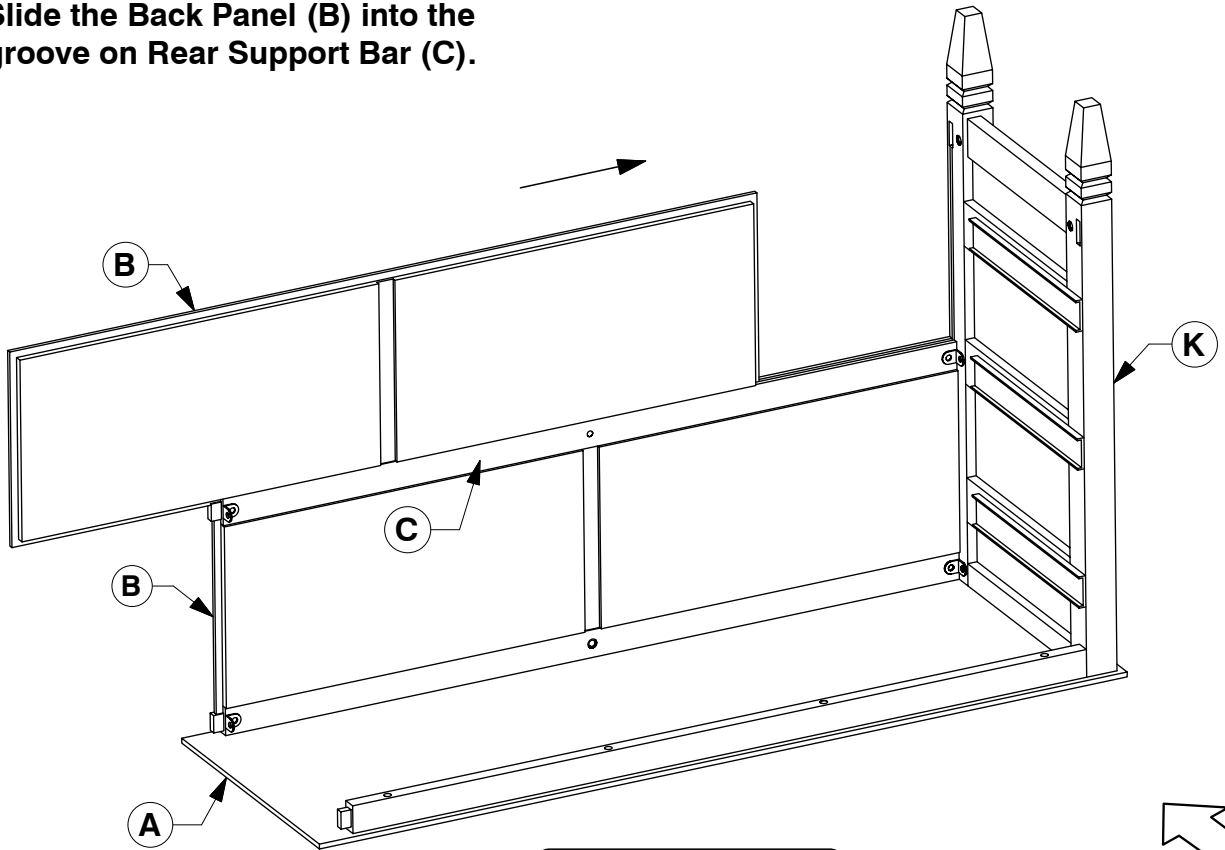


0038 6 Drawer Dresser

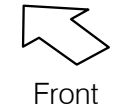
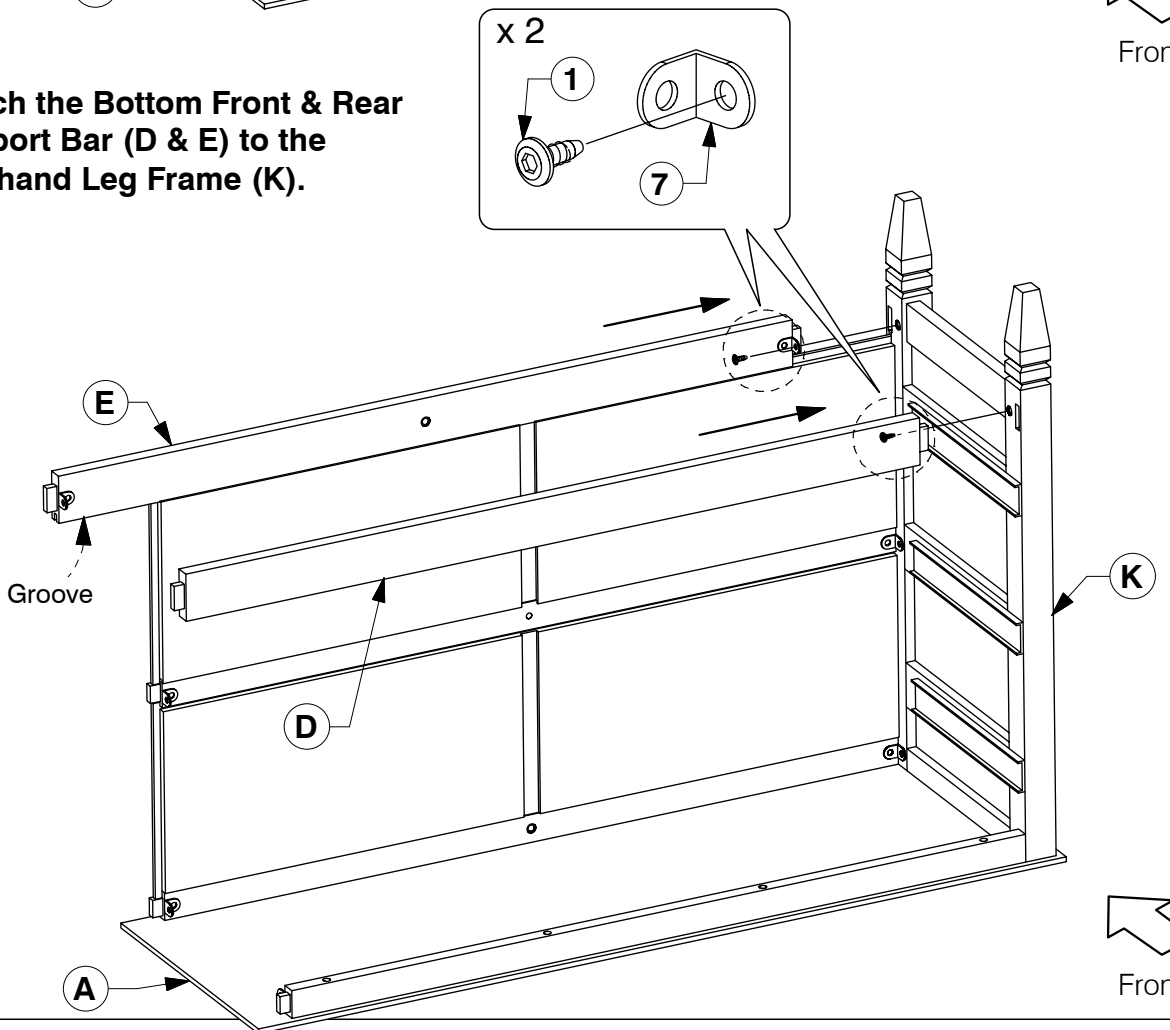
Assembly Instructions

WII-0120

- 12** Slide the Back Panel (B) into the groove on Rear Support Bar (C).



- 13** Attach the Bottom Front & Rear Support Bar (D & E) to the Left hand Leg Frame (K).



Front



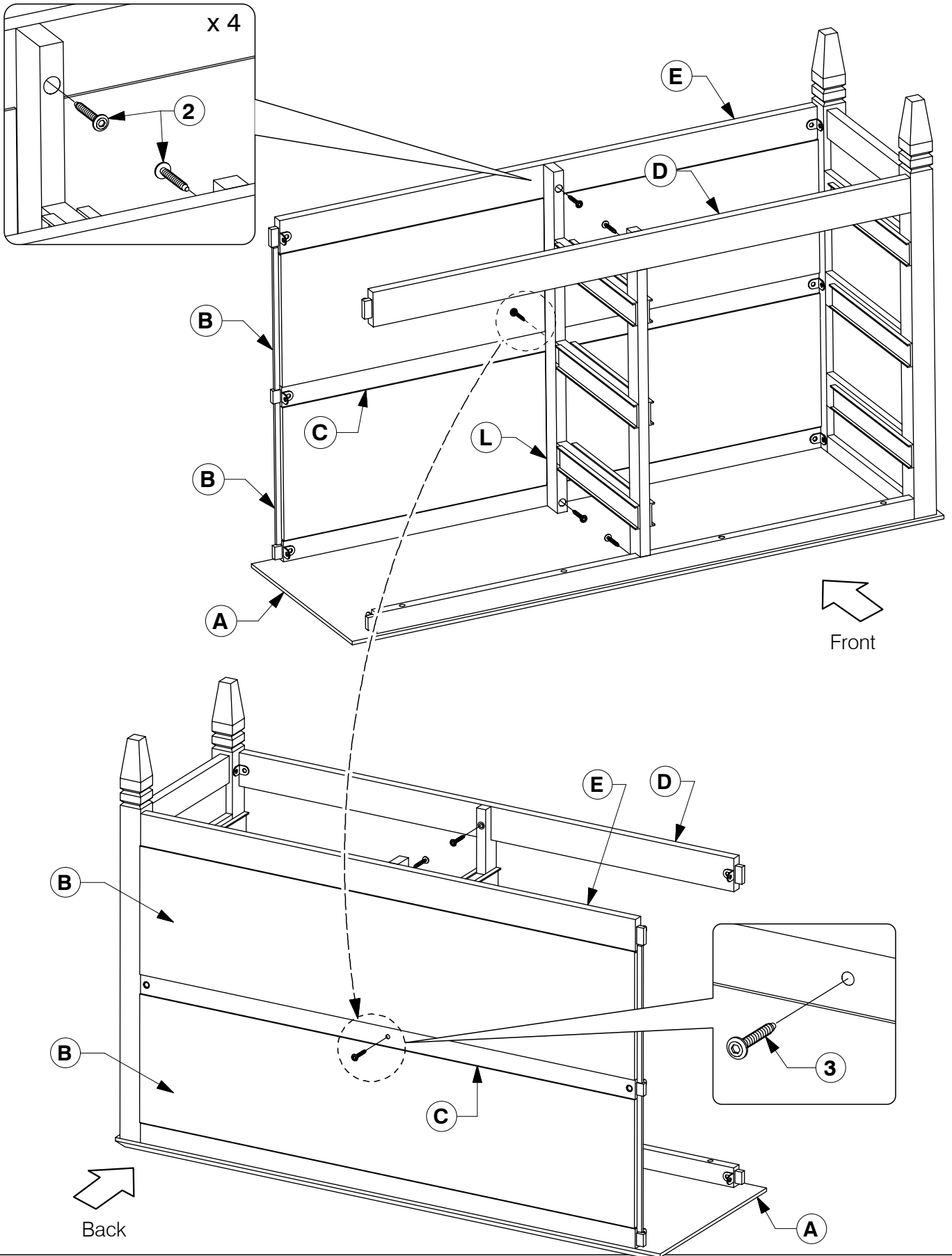
Front

0038 6 Drawer Dresser

Assembly Instructions

WII-0120

14 Fit the Center Frame (L) to the frame.

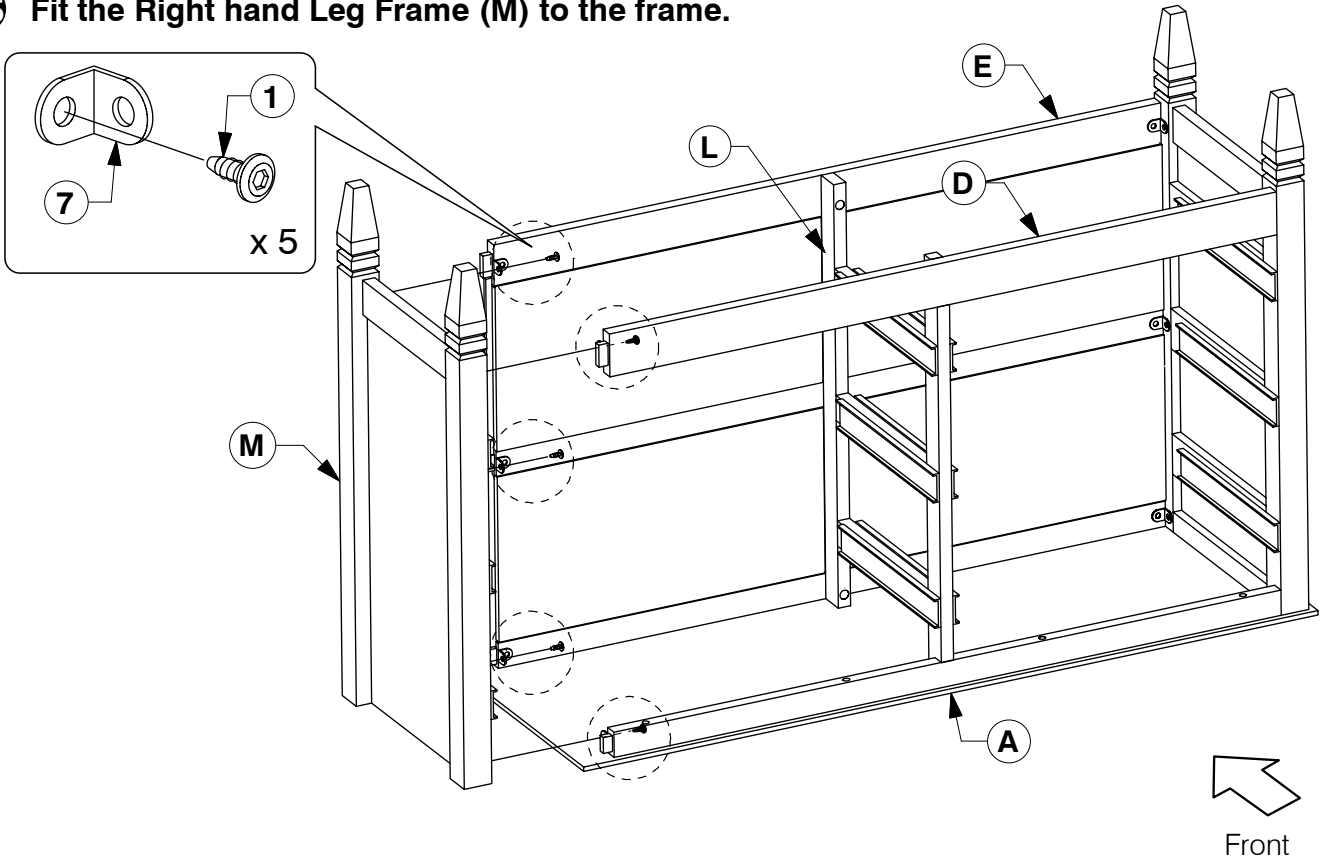


0038 6 Drawer Dresser

Assembly Instructions

WII-0120

15 Fit the Right hand Leg Frame (M) to the frame.



16 Fit the Handle to the Drawer face (F).
Finally, fit the assembled Drawer.

