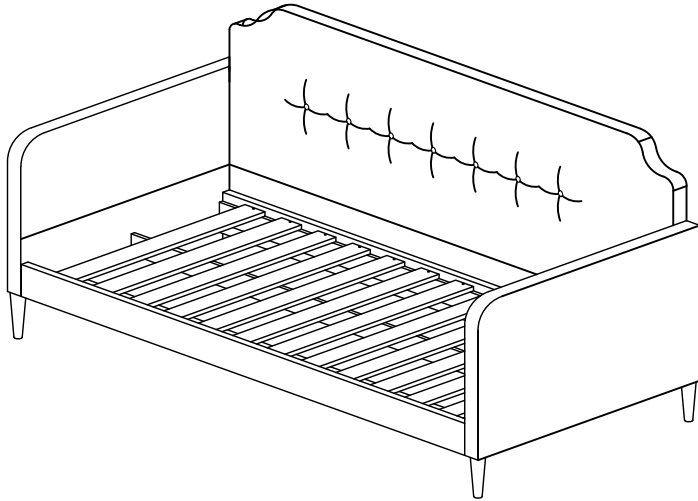


Assembly Instruction

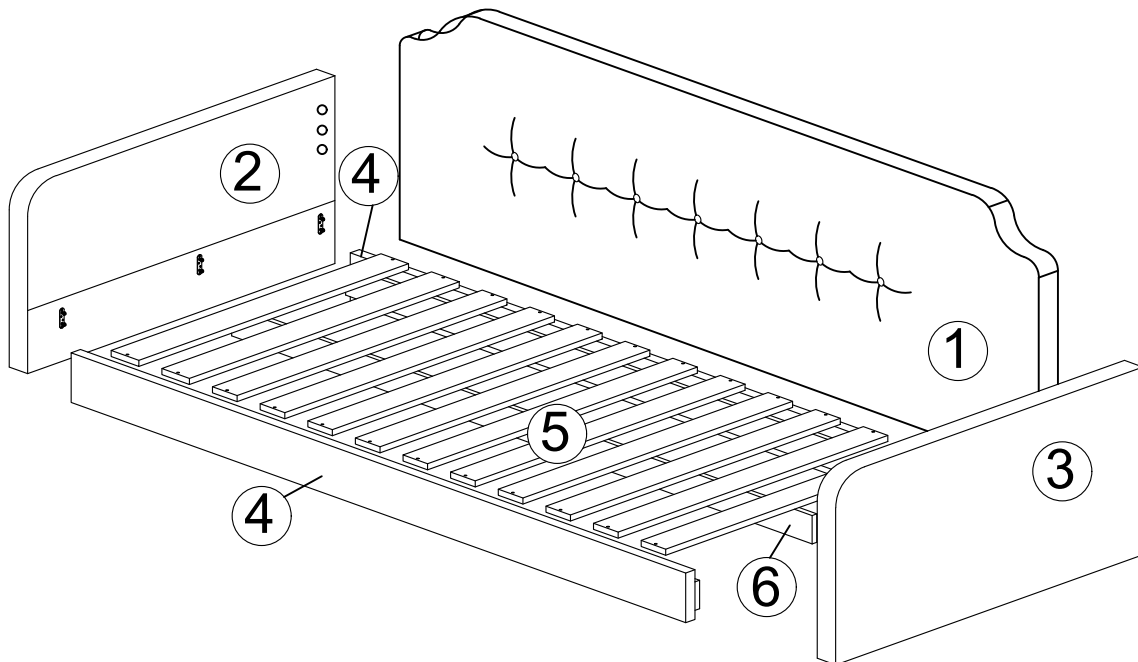
Model : DV 20801 FULL DAYBED



Hardware List			
No.	SHAPE	DESCRIPTION	Qty.
A		M4x25mm Screw	24Pcs
B		JCBC M6x35mm	6Pcs
C		JCBB M8x20mm	12Pcs
D		L Key M4	1Pcs
E		L Key M5	1Pcs
F		Leg	4Pcs
G		Flat Washer M6 x 19	6Pcs

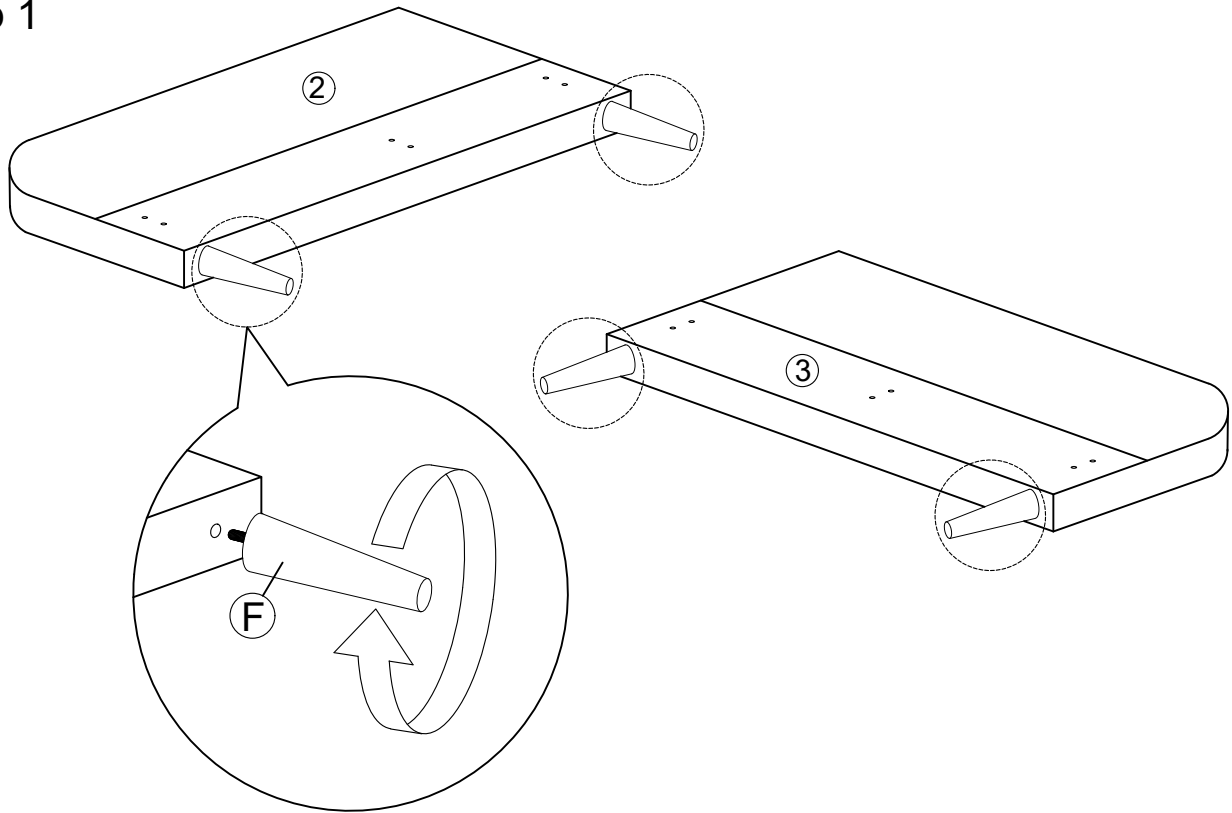
Part List		
No.	Part Name	Qty.
1	Head Board	1Pcs
2&3	Side Board	2Pcs
4	Side Rail	2Pcs
5	LVL Slats	12Pcs
6	Center Slat Support	1Pcs

Part List

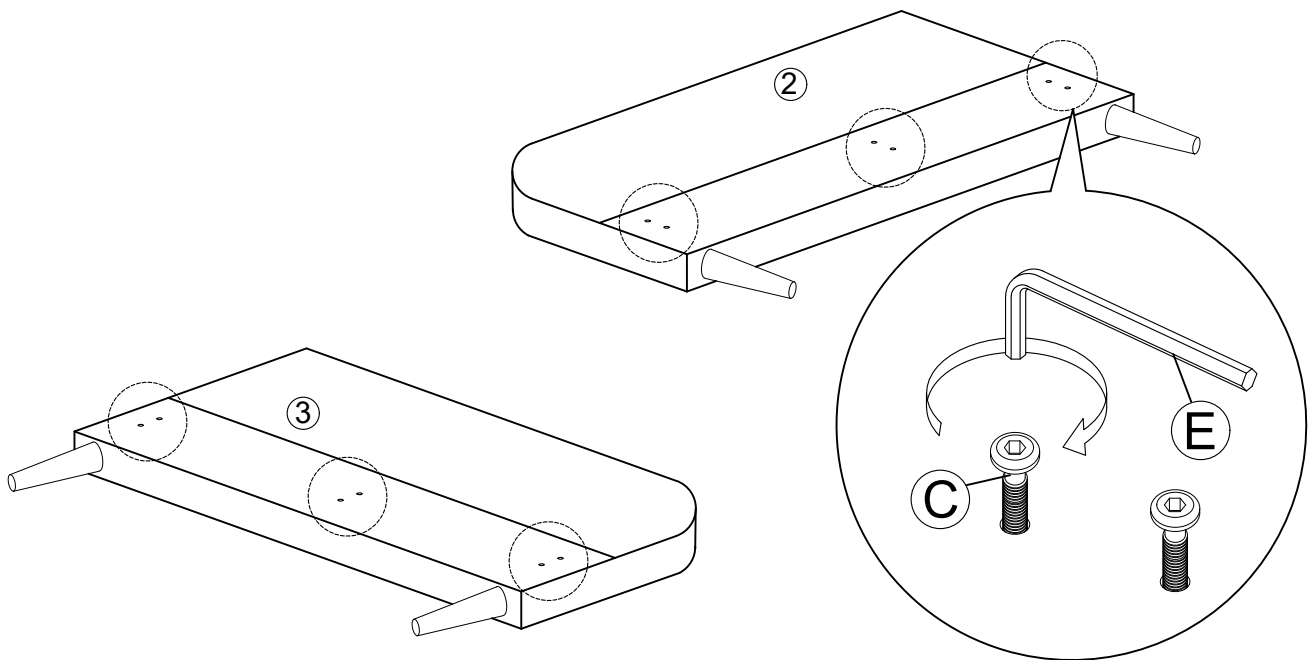


Assembly Instruction

Step 1

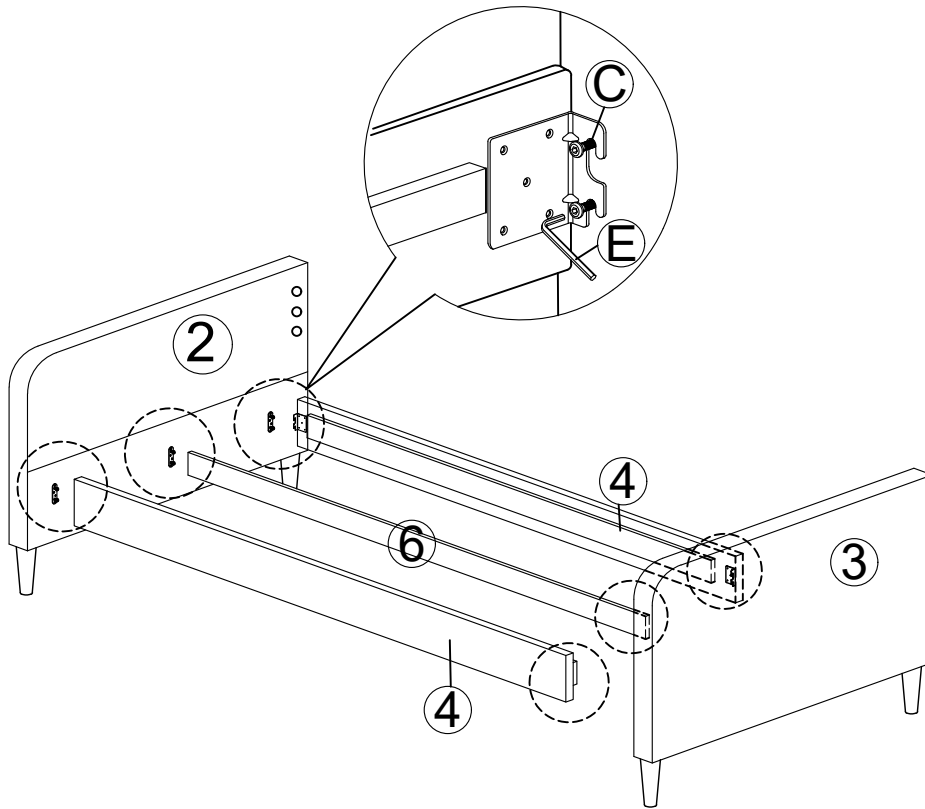


Step 2

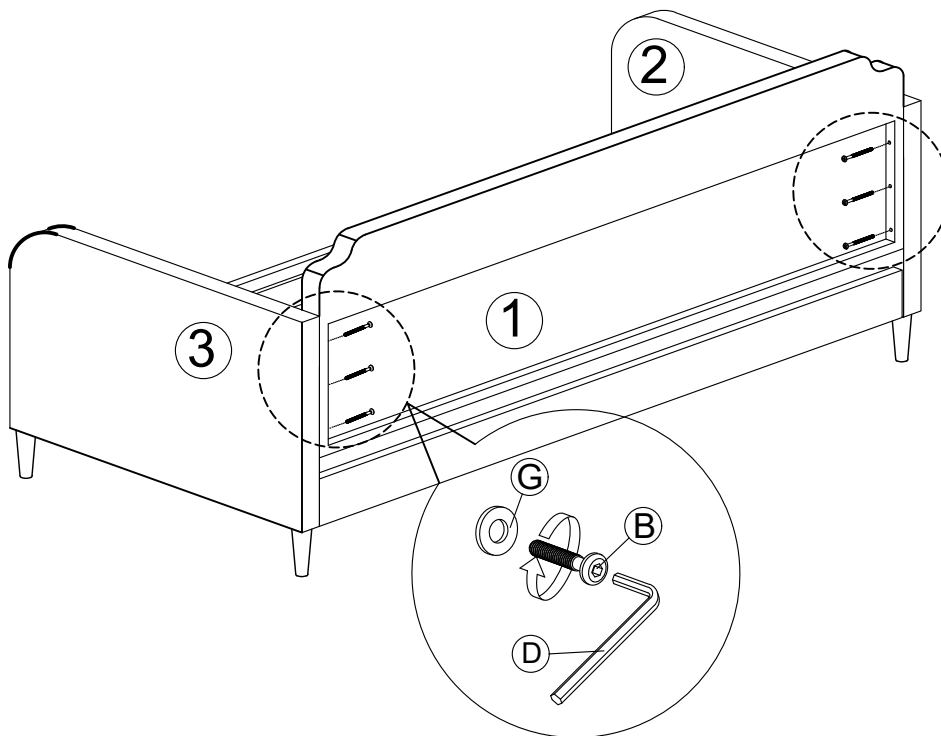


Assembly Instruction

Step 3



Step 4



Assembly Instruction

Step 5

