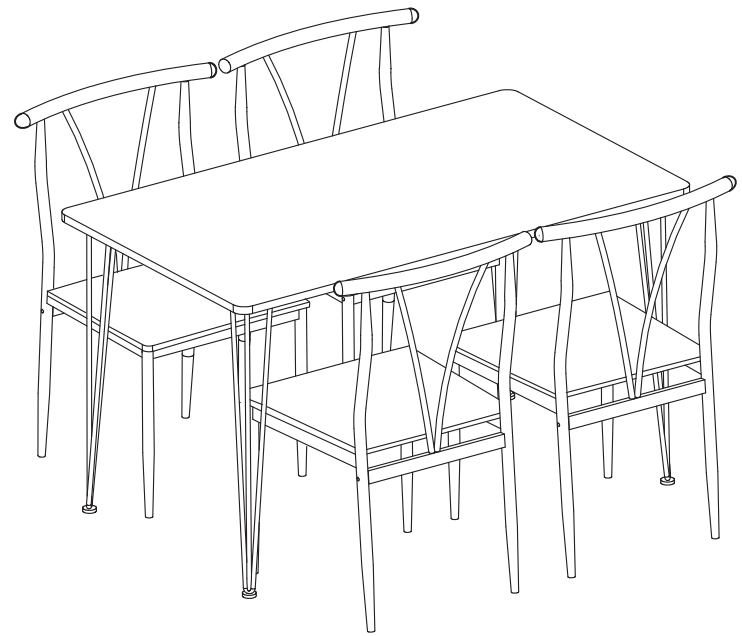
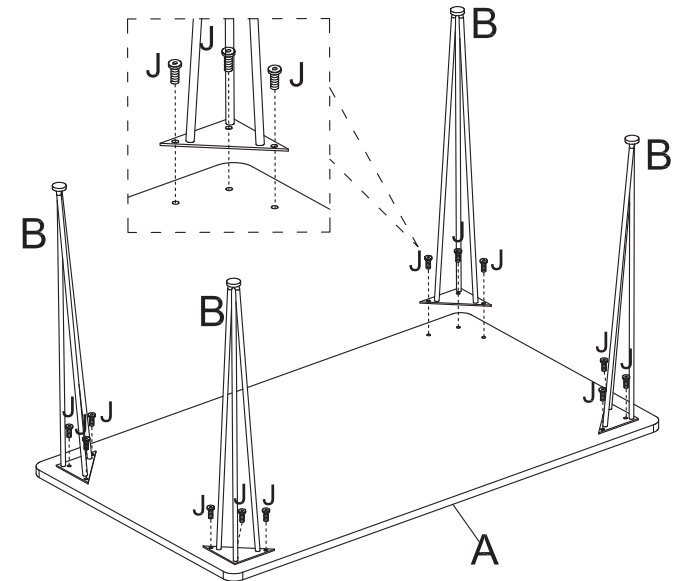


A		1PC	J	 M6×12mm	28PCS
B		4PCS	L	 M6×40mm	32PCS
C		4PCS	M	 M4	1PC
D		4PCS			
E		4PCS			
F		4PCS			
G		4PCS			
H		4PCS			

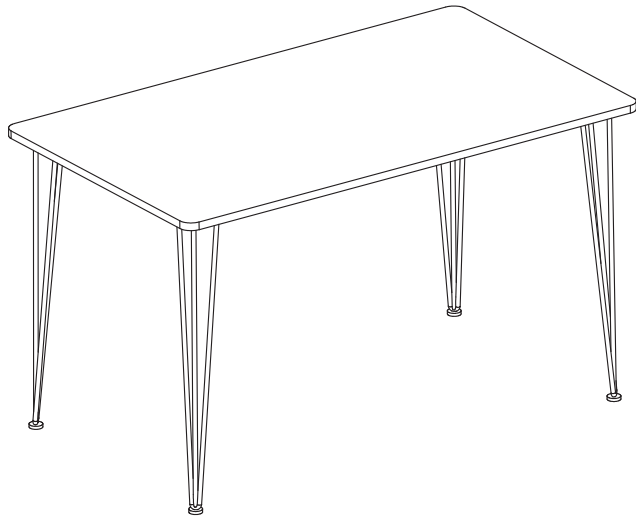
ASSEMBLY INSTRUCTION
 *** DO NOT TIGHTEN SCREWS UNTIL COMPLETELY ASSEMBLED***



1 Step1 -Use screws (Part J) to connect the table feet (PartB) to the table top(Part A)

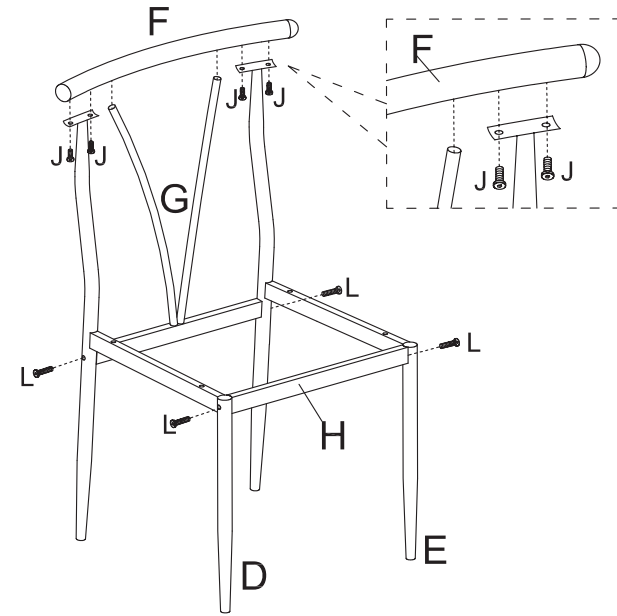


2



3

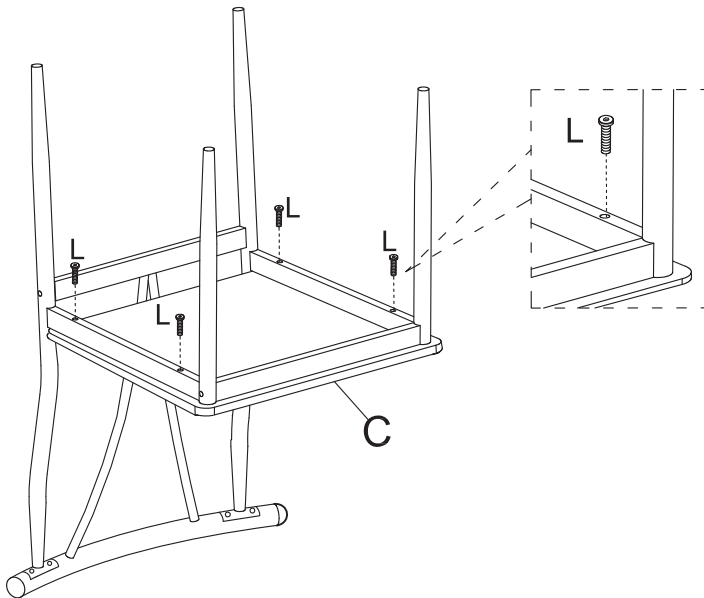
Step 2-Use screws (Part L) to connect chair feet(Part D/E) and cross-bar(Part G/H) and use screws (Part J) to connect Backrest (Part F) as a metal chair frame



×4

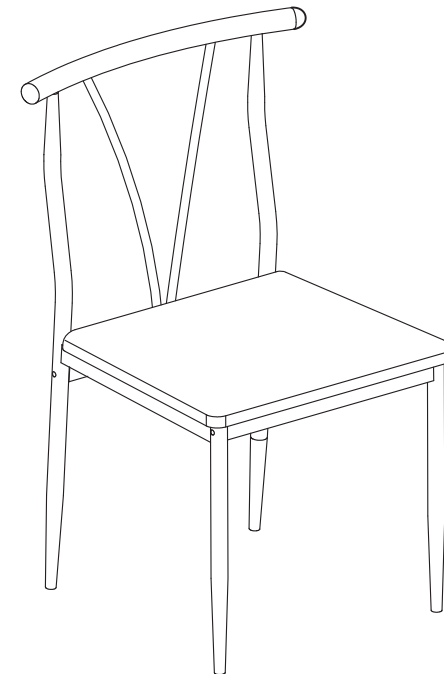
4

Step 3-Use screws (Part L) to connect the chair metal frame to the chair seat (Part C)



×4

5



×4