

ASSEMBLY INSTRUCTIONS

Model no : BW19-02T

Read this instruction carefully. Remove all wrapping material, staples and straps from the carton.


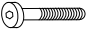


See hardware and furniture part list.

For guidance. Be sure you have all wooden furniture parts on a clean and flat soft surface, such as a carpet or rug, to prevent from being scratched. Follow the figure to start assembling.

CAUTION :

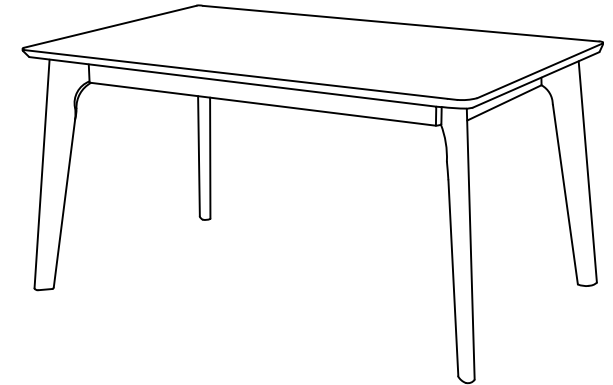
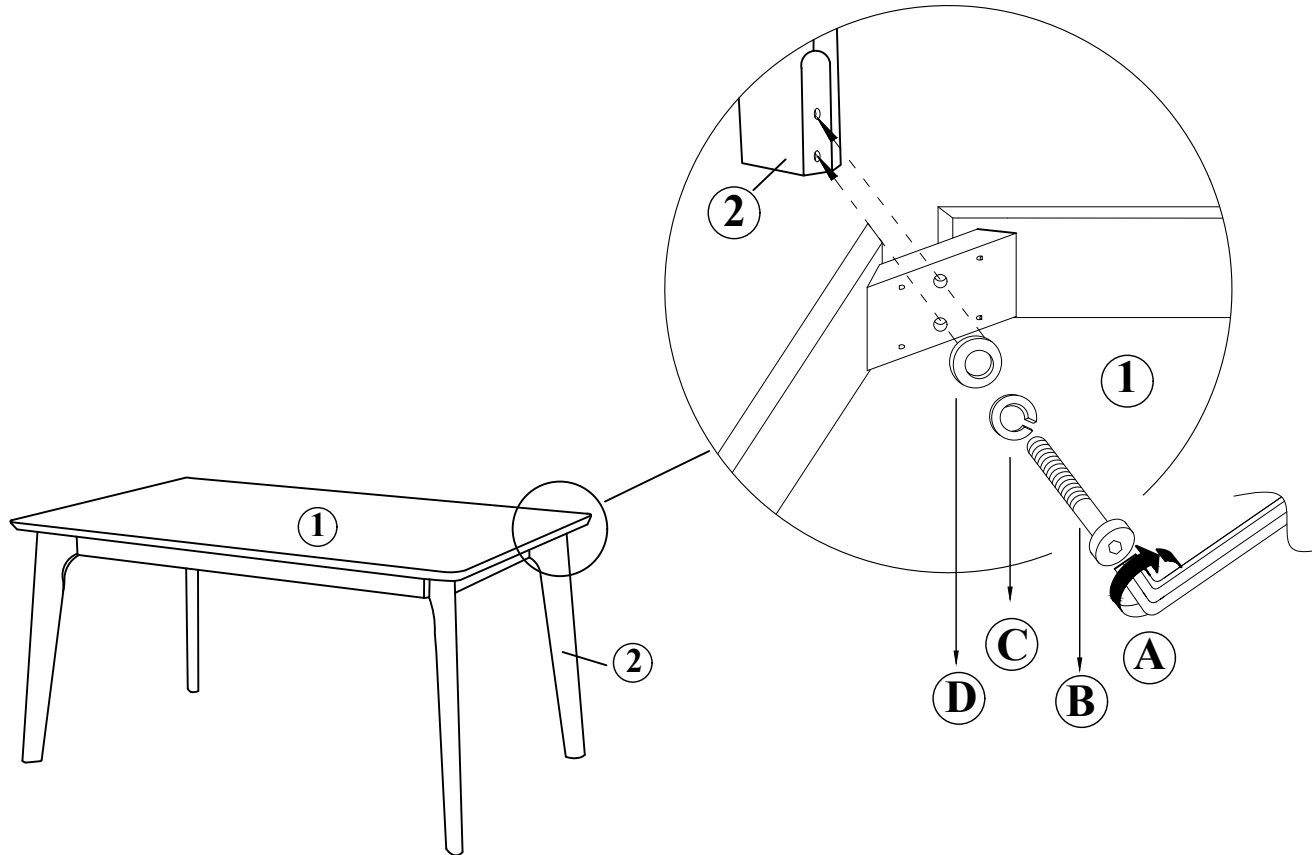
1. Do not FULLY - TIGHTEN the nut or screw until all is ready to assemble.
2. Do not OVER - TIGHTEN the nut or screw to avoid causing damages to the thread.
3. Keep all hardware part out reach of children.

| No | Part List | Qty |
|----|-----------|-----|
| 1 | Table Top | 1 |
| 2 | Table Leg | 4 |

| No | Description | Qty |
|----|--|-----|
| A | M5 ALLEN KEY  | 1 |
| B | JCBC Screw M8 x 60mm  | 8 |
| C | Spring Washer  | 8 |
| D | Flat Washer  | 8 |

Step 1

Attach part 1 and 2 for all four sides and lock it using hardware A, B, C, and D.



COMPLETE
ASSEMBLE

ASSEMBLY INSTRUCTIONS

Model no : BW20-17C

Read this instruction carefully. Remove all wrapping material, staples and straps from the carton.

See hardware and furniture part list.

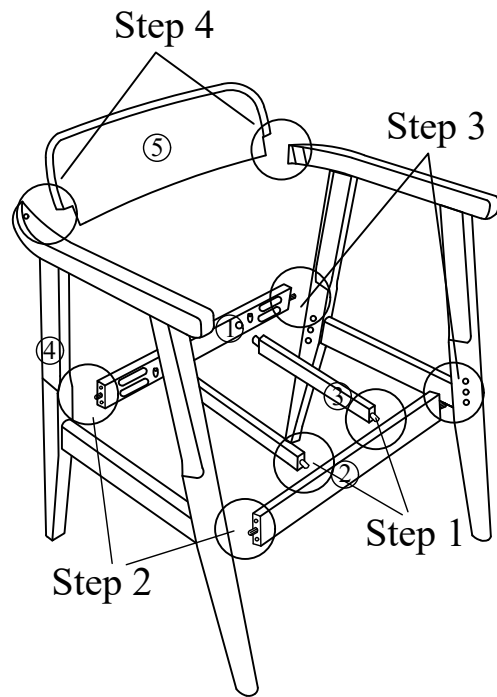
For guidance. Be sure you have all wooden furniture parts on a clean and flat soft surface, such as a carpet or rug, to prevent from being scratched. Follow the figure to start assembling.

CAUTION :

1. Do not FULLY - TIGHTEN the nut or screw until all is ready to assemble.
2. Do not OVER - TIGHTEN the nut or screw to avoid causing damages to the thread.
3. Keep all hardware part out reach of children.

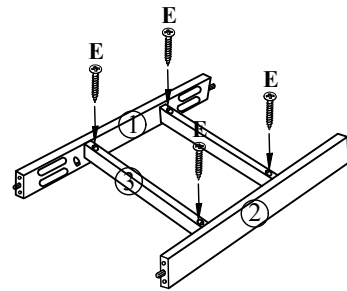
| No | Part List | Qty |
|----|----------------|-----|
| 1 | Back Rail | 1 |
| 2 | Front Rail | 1 |
| 3 | Center Support | 2 |
| 4 | Side Frame | 1 |
| 5 | Back Rest | 1 |
| 6 | Cushion Seat | 1 |

| No | Description | Qty |
|----|--|-----|
| A | M4 ALLEN KEY  | 1 |
| B | JCBC Screw M6 x 50mm  | 10 |
| C | Spring Washer  | 10 |
| D | Wood Dowel 8 x 30mm  | 4 |
| E | CSK Screw M4 x 32mm  | 8 |



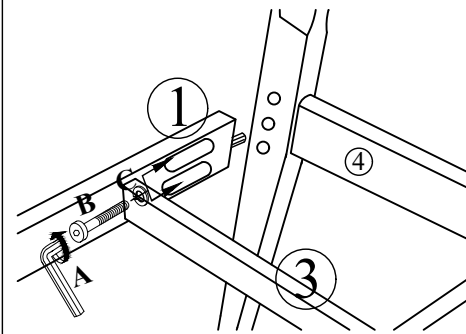
Step 1

Firstly, attach part 1,2 and 3 as shown and thighten it with hardware E.



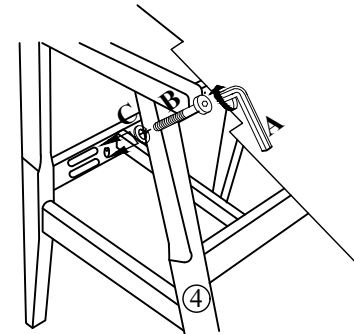
Step 2

Attach part 4 with the assembled STEP 1, and lock it using hardware A, B, C, and D.



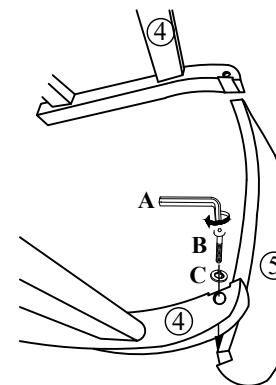
Step 3

Repeat as STEP 2, attach part 4 for the other side and lock it with hardware.



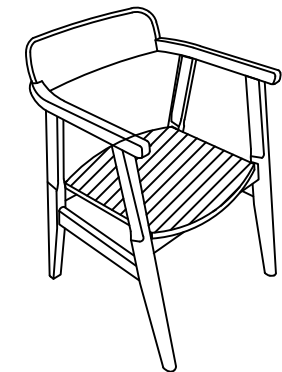
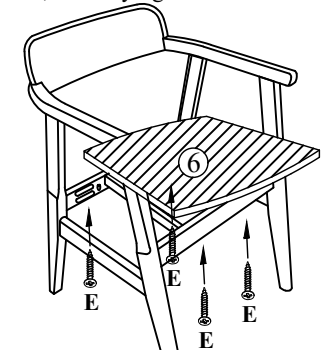
Step 4

Attach part 4 with part 5, and lock it using hardware A,B,and C.



Step 5

Locate part 6on the assembled seating frame as shown,and fully thighten it with hardware E.



COMPLETE ASSEMBLE