

ASSEMBLY INSTRUCTIONS

Model no : BW21-02B

Read this instruction carefully. Remove all wrapping material, staples and straps from the carton.


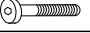
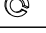

See hardware and furniture part list.

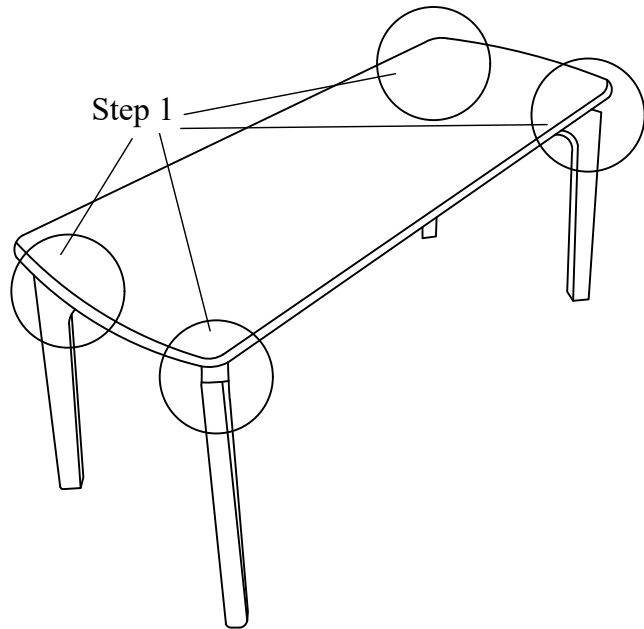
For guidance. Be sure you have all wooden furniture parts on a clean and flat soft surface, such as a carpet or rug, to prevent from being scratched. Follow the figure to start assembling.

CAUTION :

1. Do not FULLY - TIGHTEN the nut or screw until all is ready to assemble.
2. Do not OVER - TIGHTEN the nut or screw to avoid causing damages to the thread.
3. Keep all hardware part out reach of children.

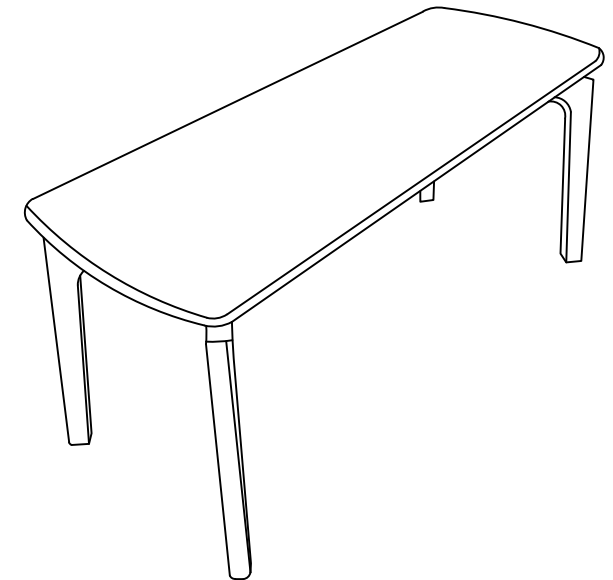
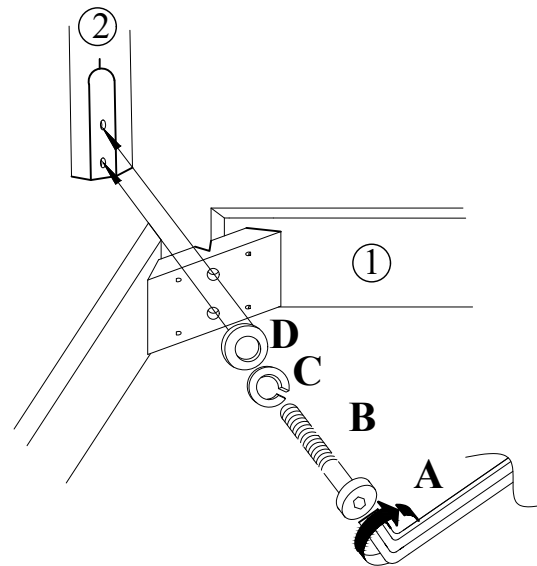
No	Part List	Qty
1	Wooden Seat	1
2	Bench Leg	4
3		
4		
5		

No	Description	Qty
A	M4 ALLEN KEY 	1
B	JCBC Screw M6 x 60mm 	8
C	Spring Washer 	8
D	Flat Washer 	8
E		
F		



Step 1

Attach part 1 and 2 for all four sides and lock it using hardware A , B , C, and D.



COMPLETE
ASSEMBLE