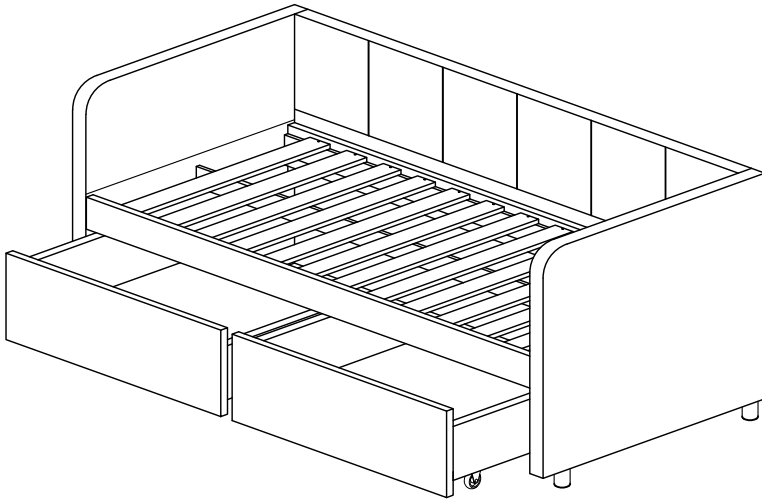


# Assembly Instruction

Model : DV 3365D FULL DAYBED

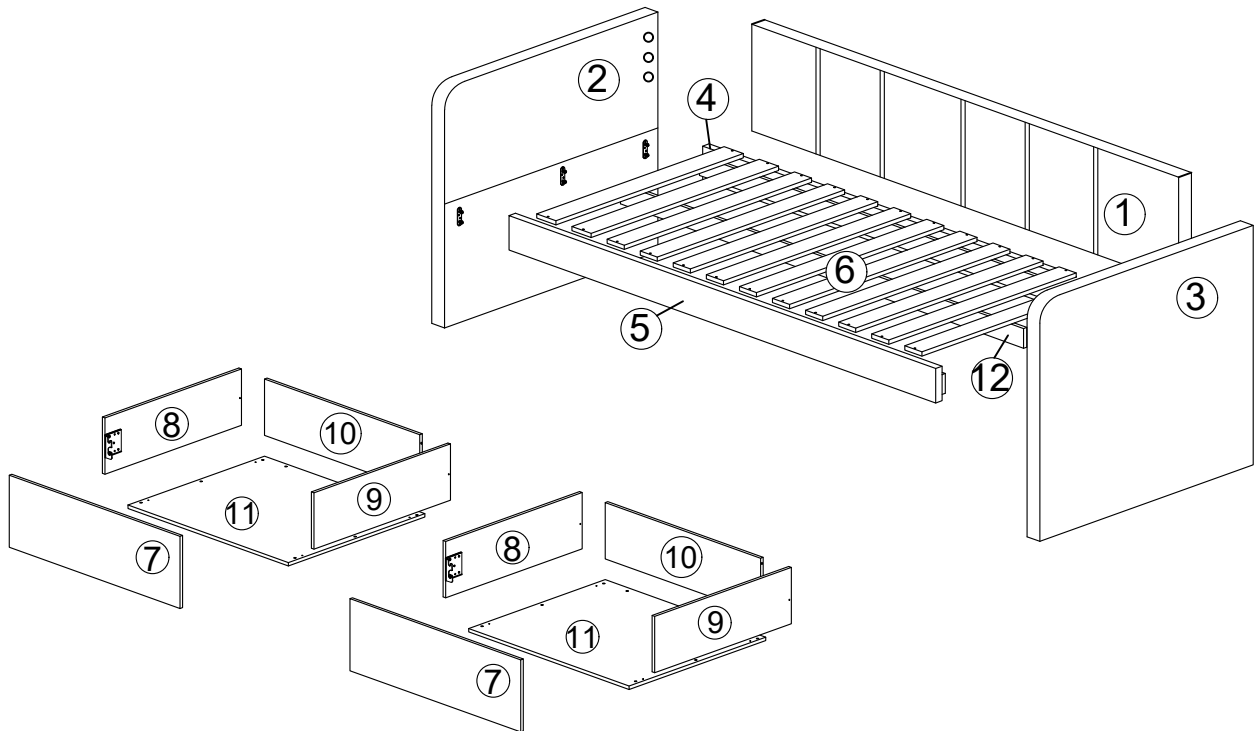


Hardware List			
No.	SHAPE	DESCRIPTION	Qty.
A		M4x25mm Screw	24Pcs
B		M4x45mm Screw	20Pcs
C		M3.5x16mm Screw	32Pcs
D		JCBC M6x35mm	6Pcs
E		JCBB M8x16mm	20Pcs
F		Caster	8Pcs
G		Dowel 8X25	16Pcs
H		Plastic Leg	4Pcs
I		L Key M4	1Pcs
J		L Key M5	1Pcs
K		Flat Washer M6 x 19	6Pcs

Part List		
No.	Part Name	Qty.
1	Head Board	1Pcs
2&3	Side Board	2Pcs
4&5	Side Rail	2Pcs
6	LVL Slats	12Pcs
7	Drawer Front Panel	2Pcs
8&9	Drawer Side Panel	4Pcs
10	Drawer End Panel	2Pcs
11	Drawer Base Panel	2Pcs

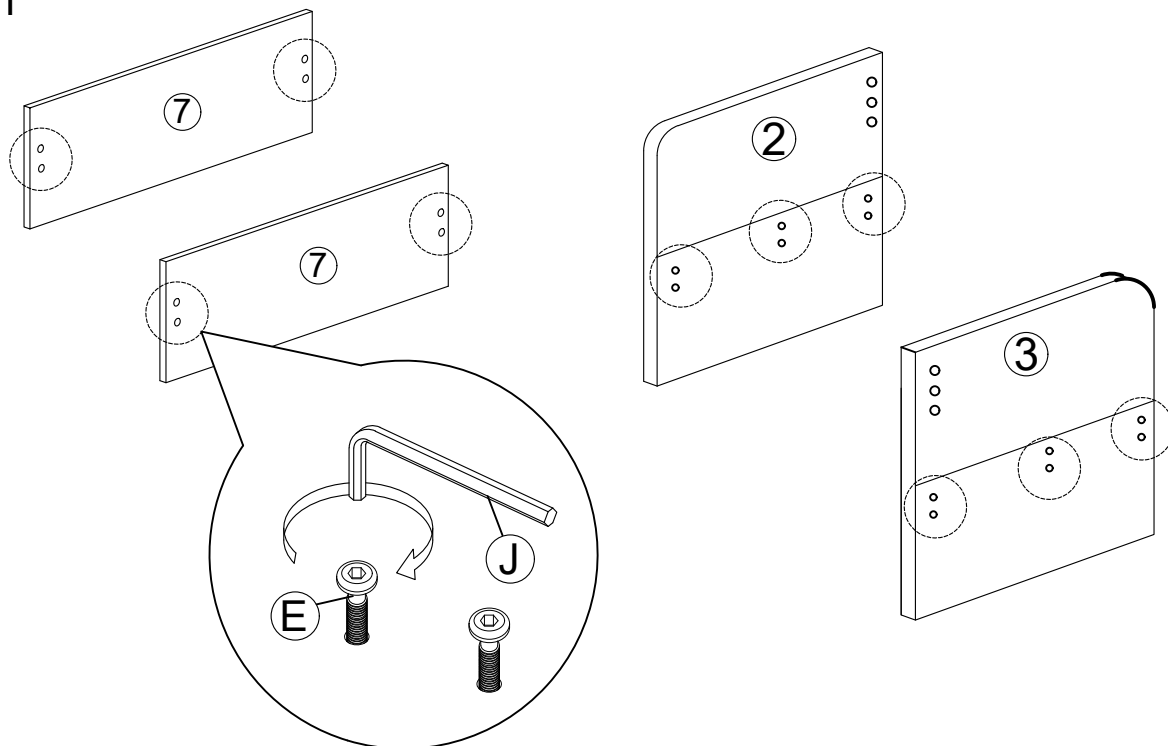
12	Center Slat Support	1Pcs
----	---------------------	------

## Part List

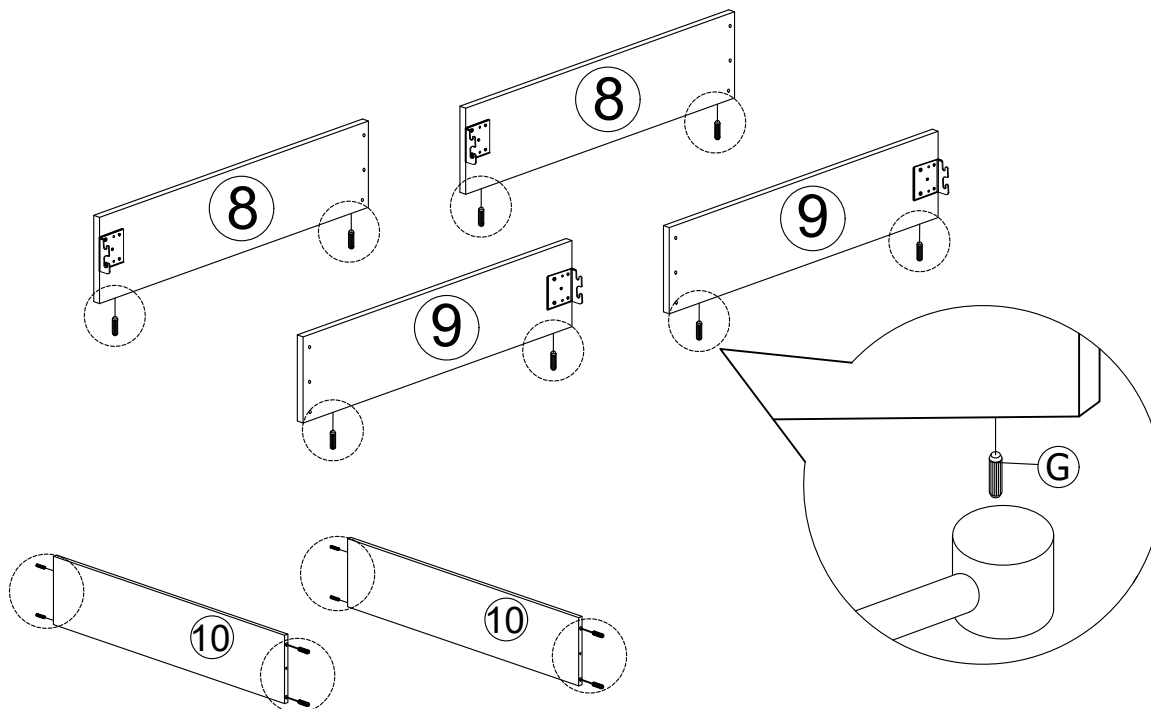


# Assembly Instruction

## Step 1



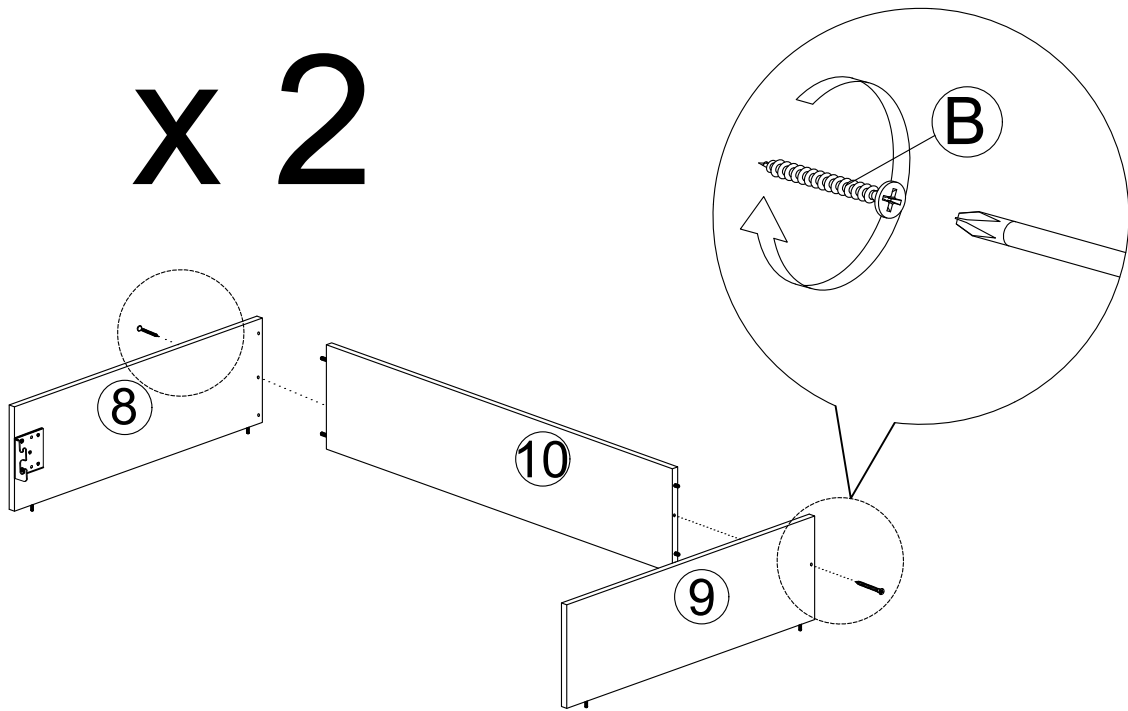
## Step 2



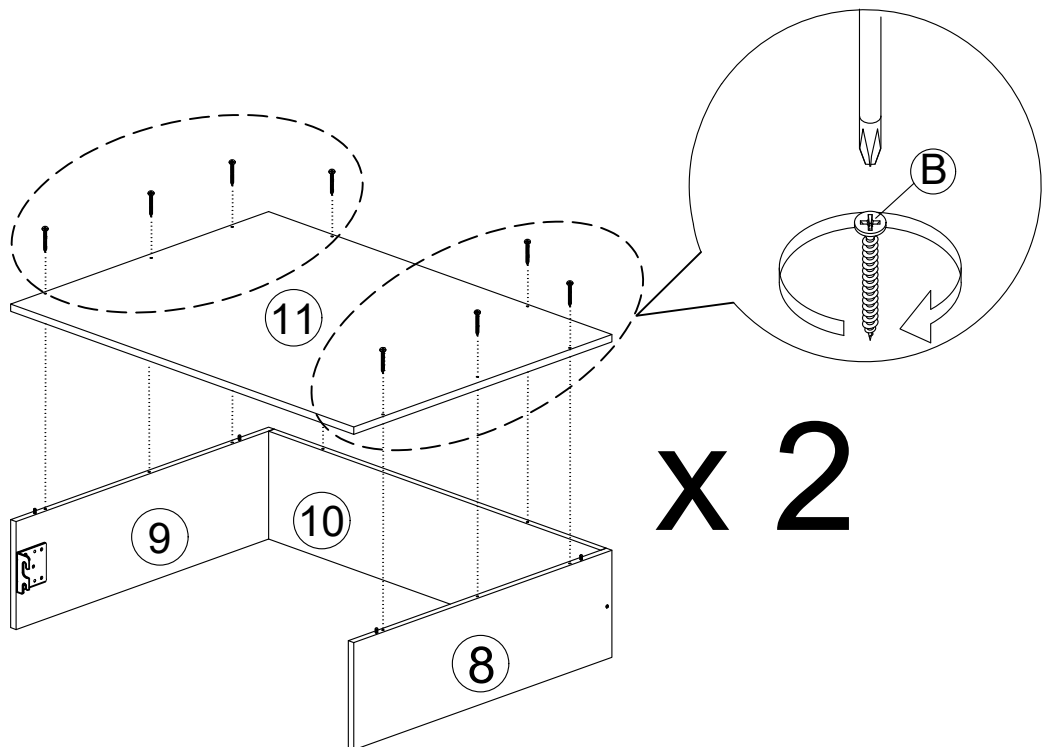
# Assembly Instruction

Step 3

**x 2**



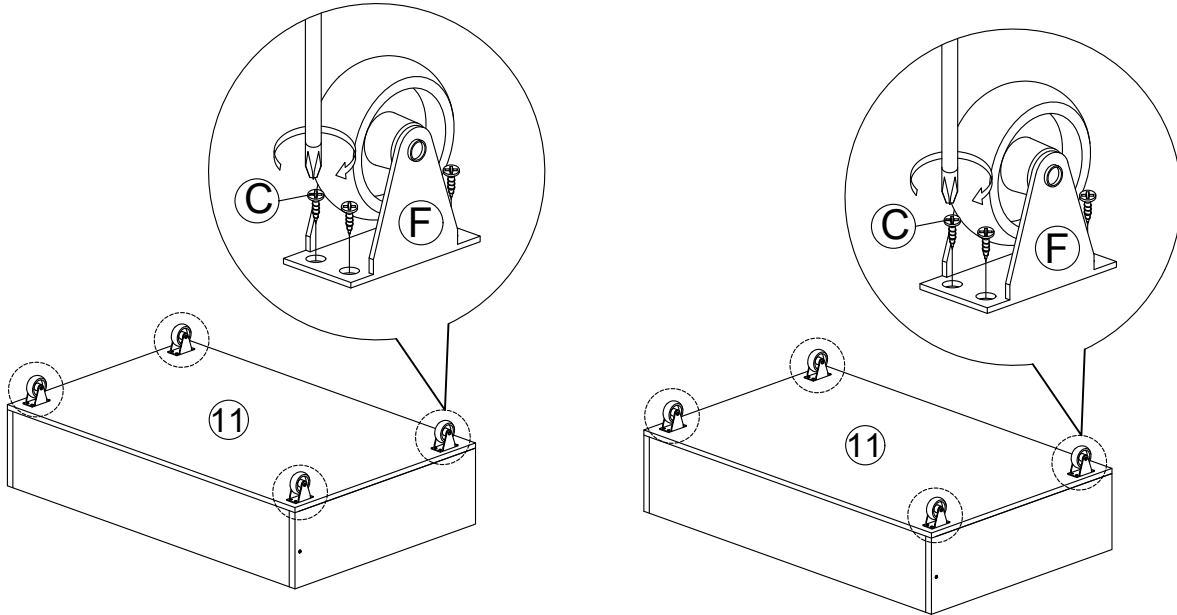
Step 4



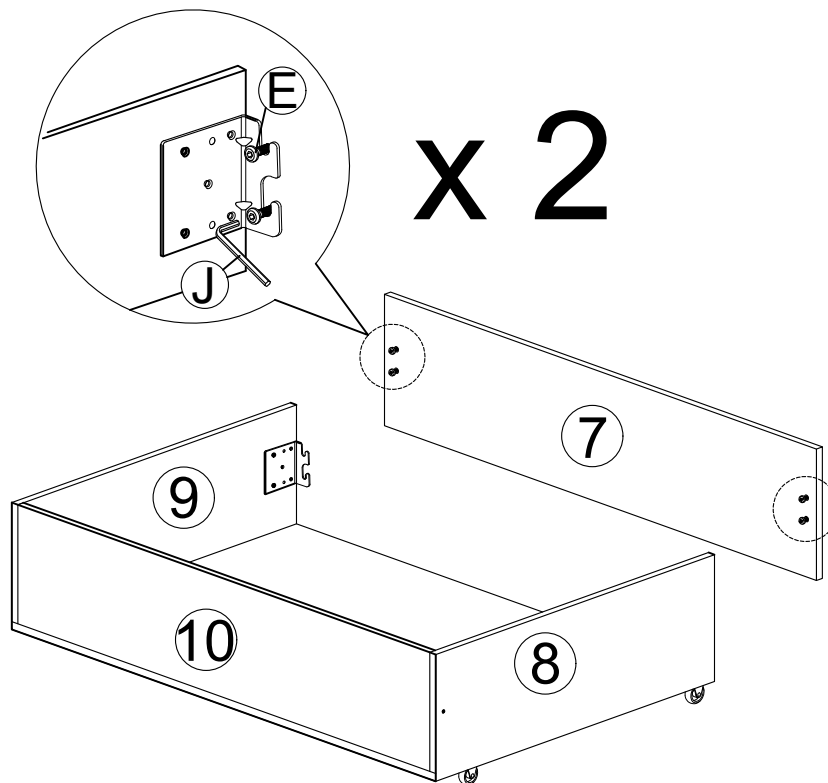
**x 2**

# Assembly Instruction

## Step 5

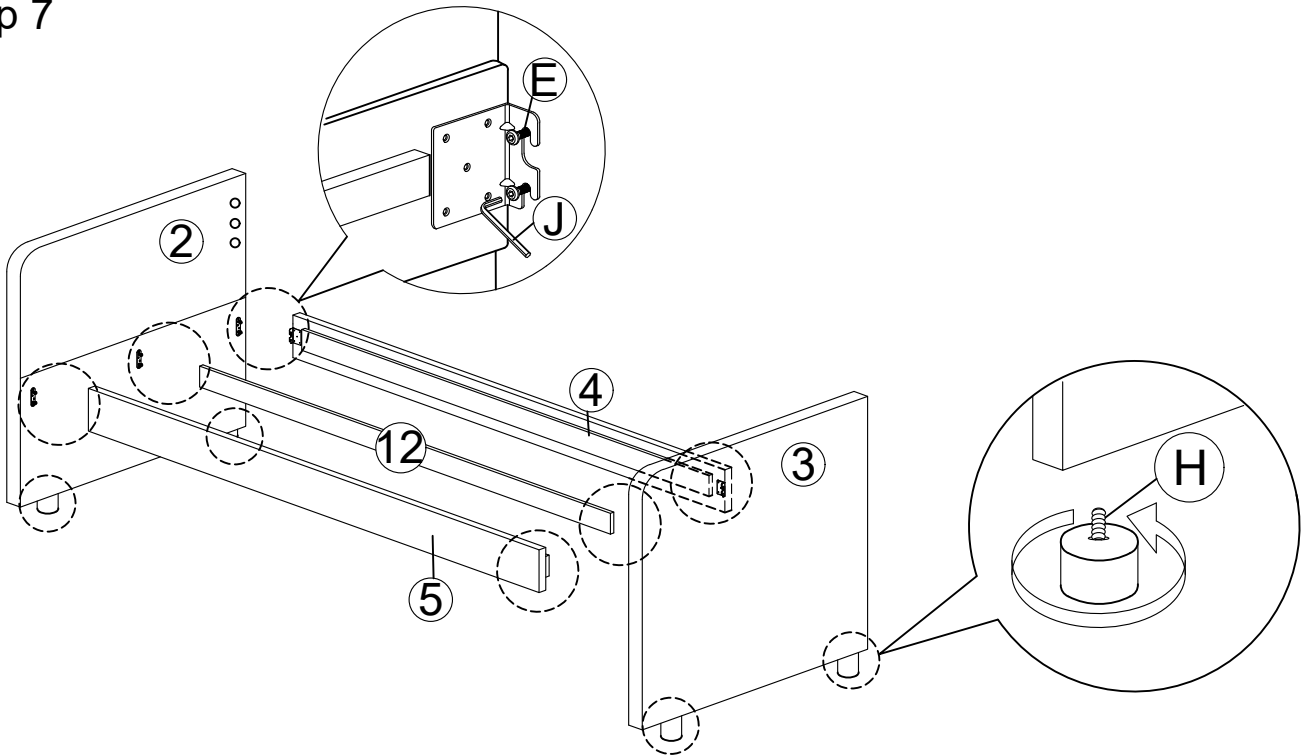


## Step 6

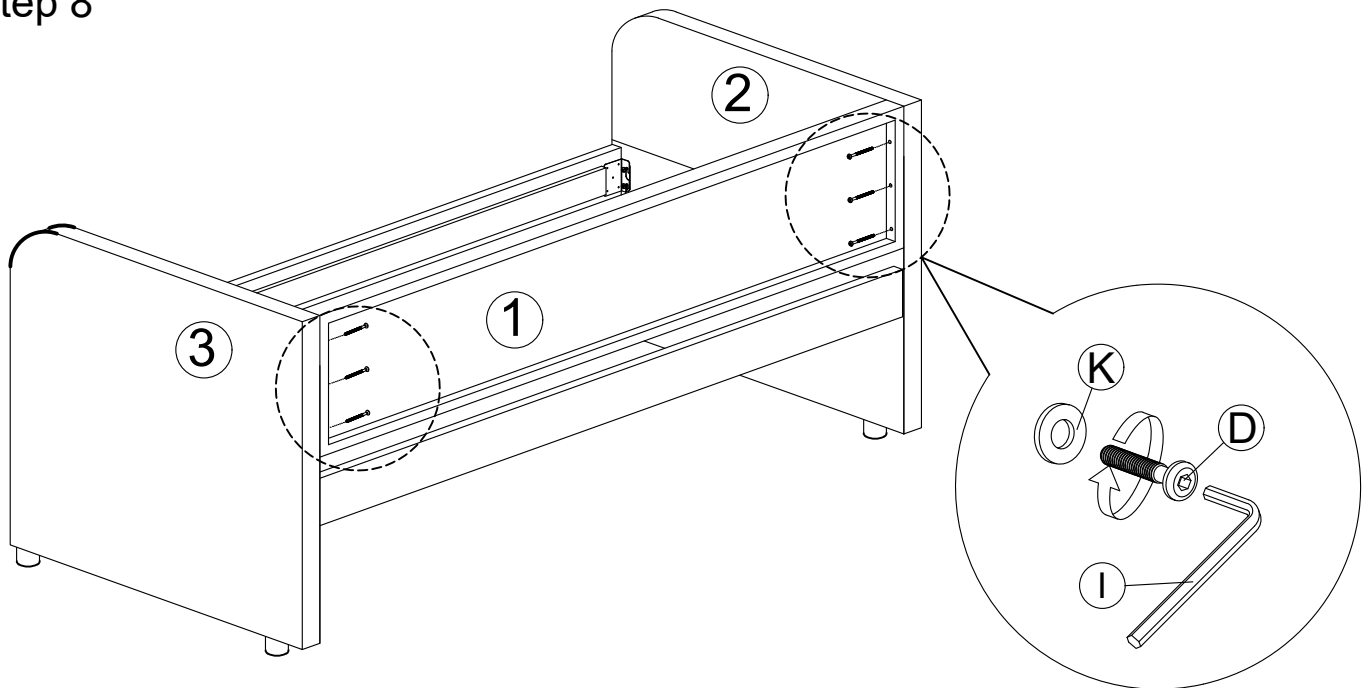


# Assembly Instruction

## Step 7

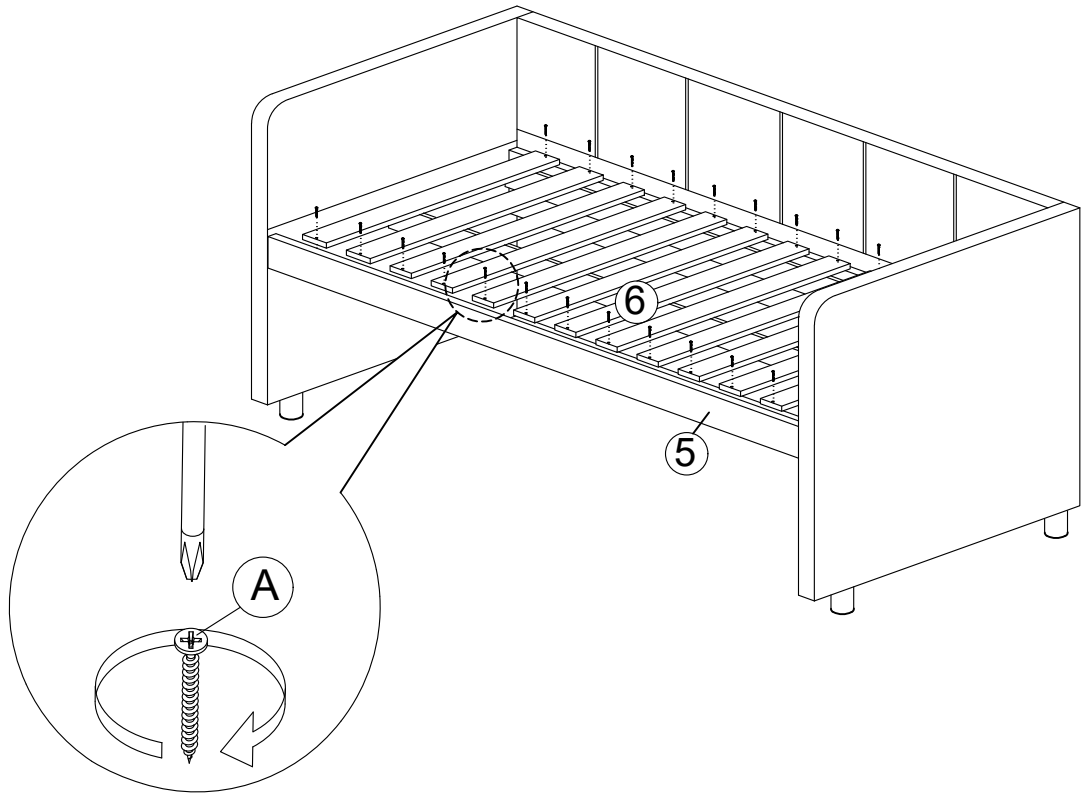


## Step 8



# Assembly Instruction

Step 9



Step 10

