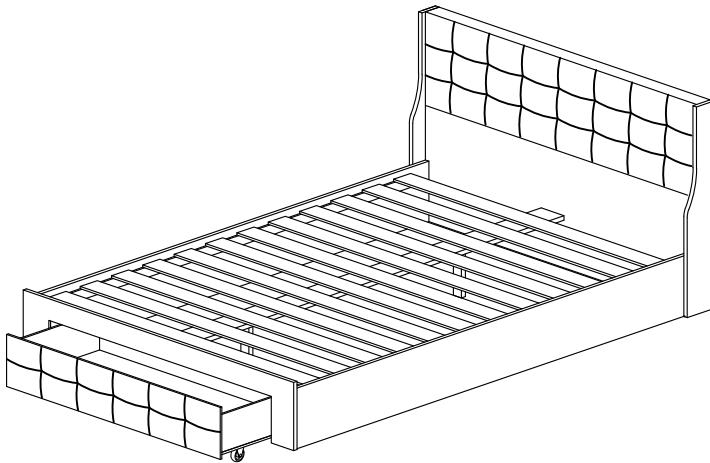


Assembly Instruction

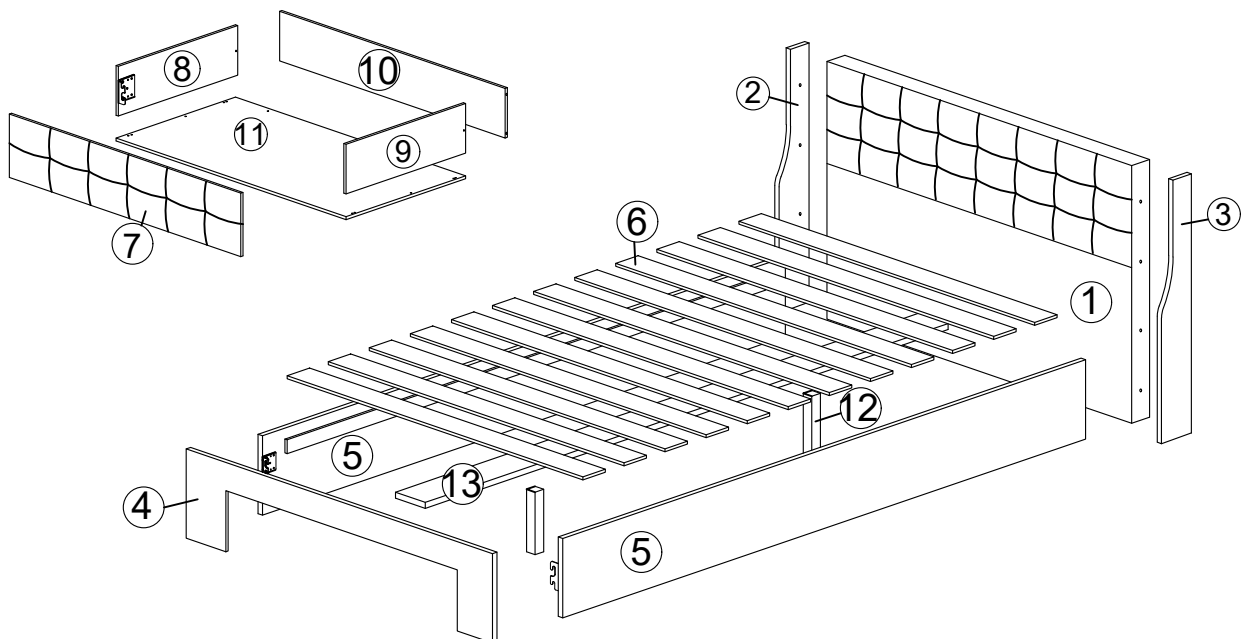
Model : DV 19812 QUEEN BED



Hardware List			
No.	SHAPE	DESCRIPTION	Qty.
A		M4x25mm Screw	36Pcs
B		M4x45mm Screw	10Pcs
C		M3.5x16mm Screw	16Pcs
D		JCBC M6x35mm	10Pcs
E		JCBB M8x20mm	12Pcs
F		Caster	4Pcs
G		Dowel 8x25	8Pcs
H		L Key M4	1Pcs
I		L Key M5	1Pcs
J		Flat Washer M6 x 19	8Pcs

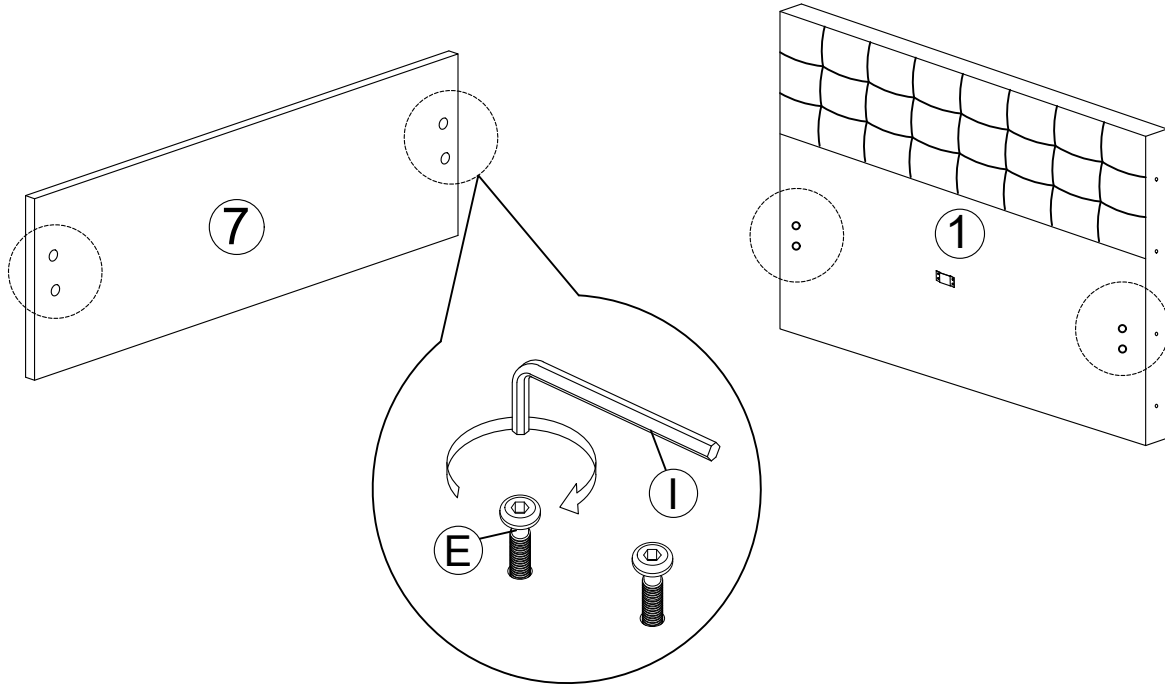
Part List		
No.	Part Name	Qty.
1	Head Board	1Pcs
2&3	Head Post	2Pcs
4	Foot Board	1Pcs
5	Side Rail	2Pcs
6	LVL Slats	12Pcs
7	Drawer Front Panel	1Pcs
8&9	Drawer Side Panel	2Pcs
10	Drawer End Panel	1Pcs
11	Drawer Base Panel	1Pcs
12	Center Slat Support Leg	2Pcs
13	Center Slat Support	1Pcs

Part List

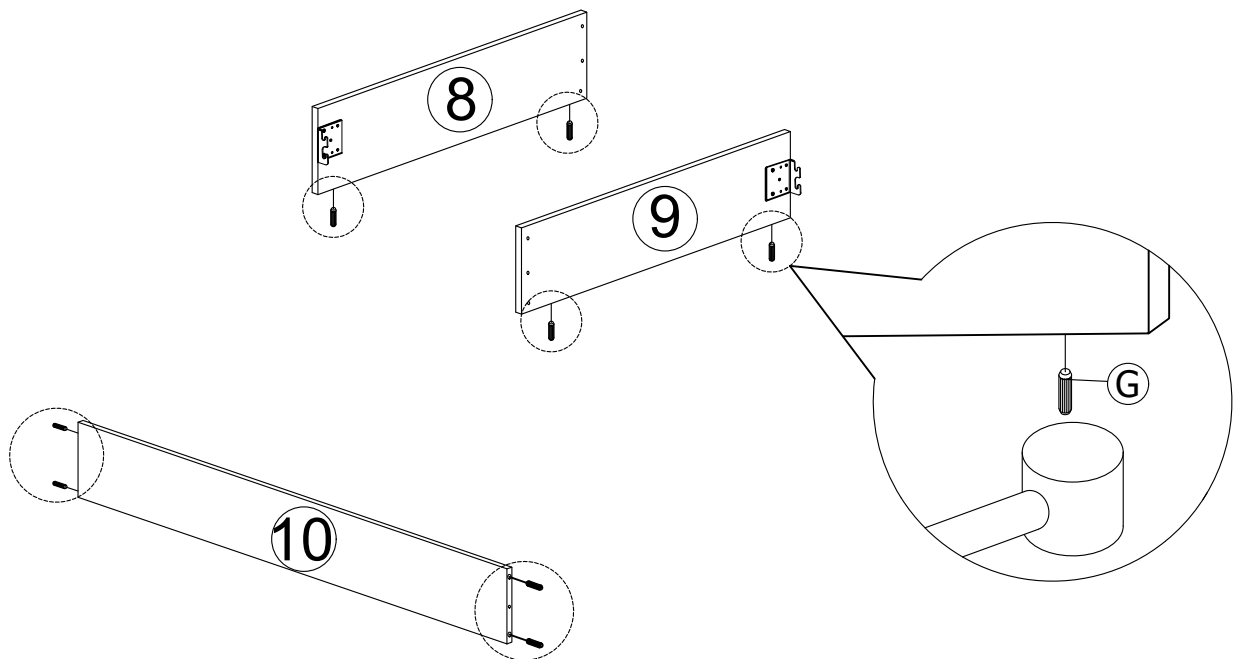


Assembly Instruction

Step 1

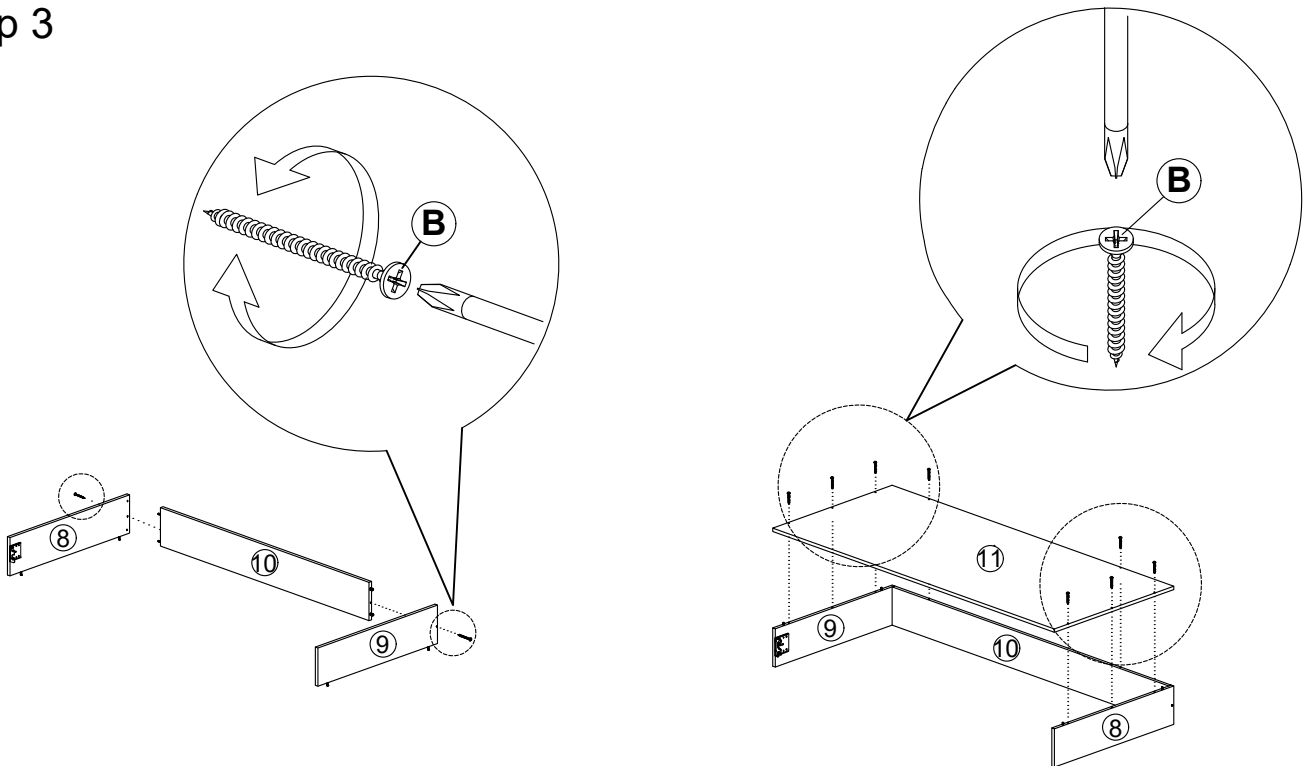


Step 2

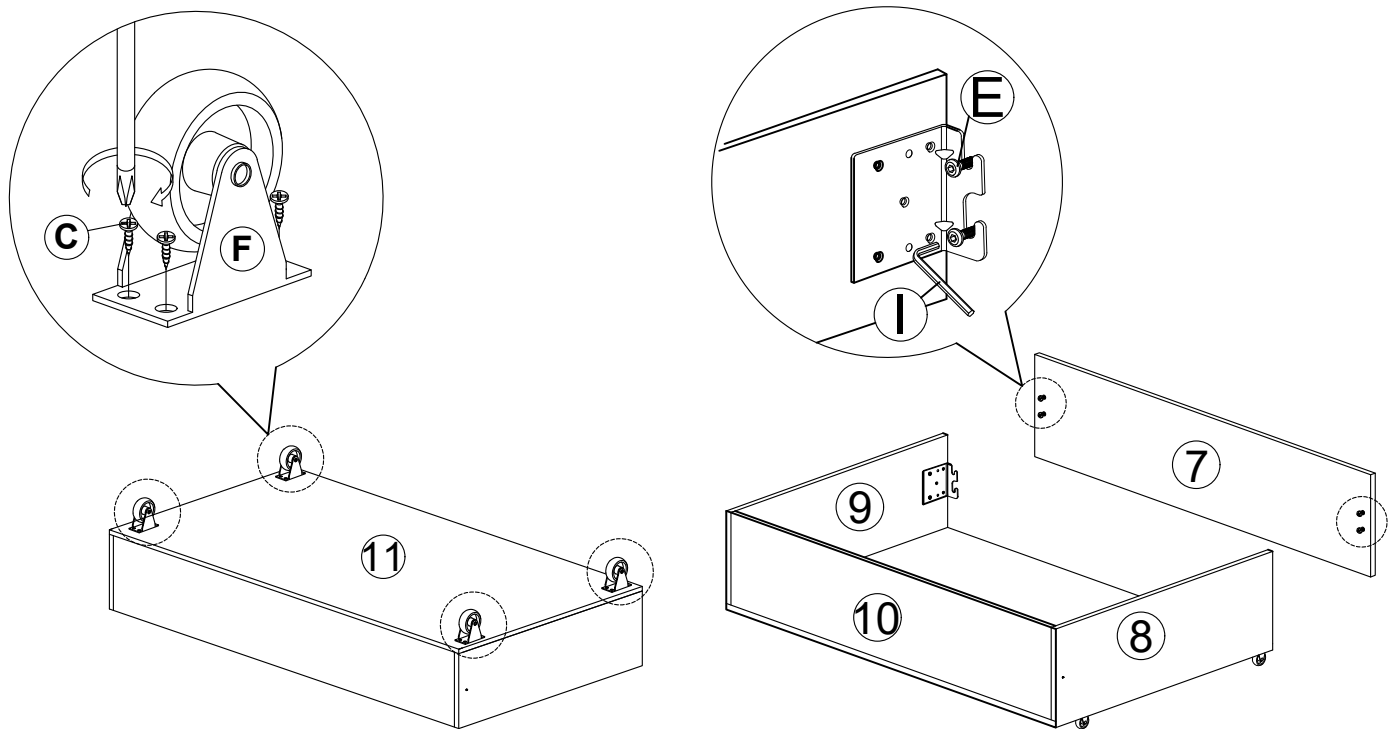


Assembly Instruction

Step 3

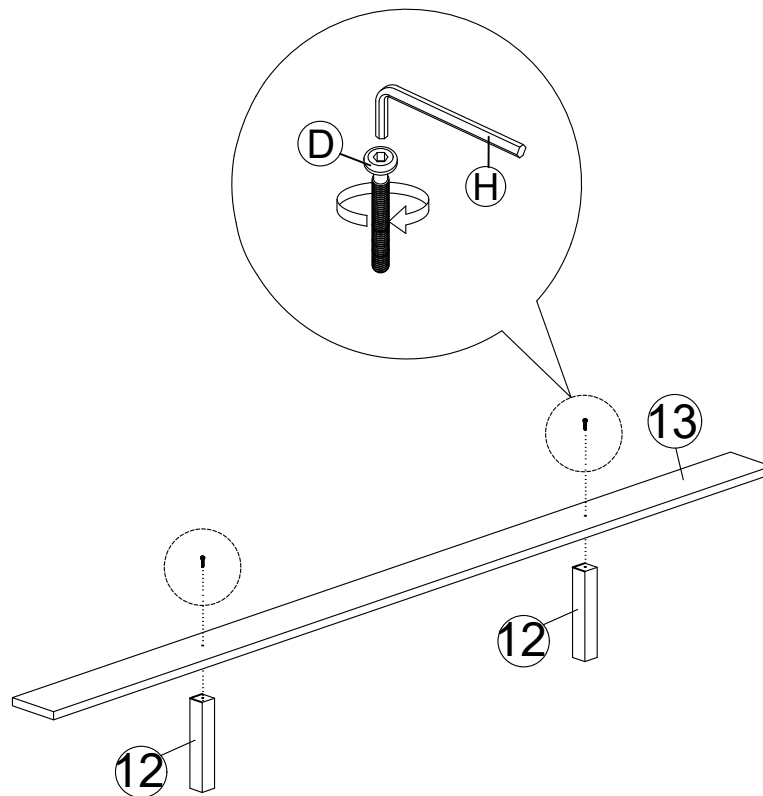


Step 4

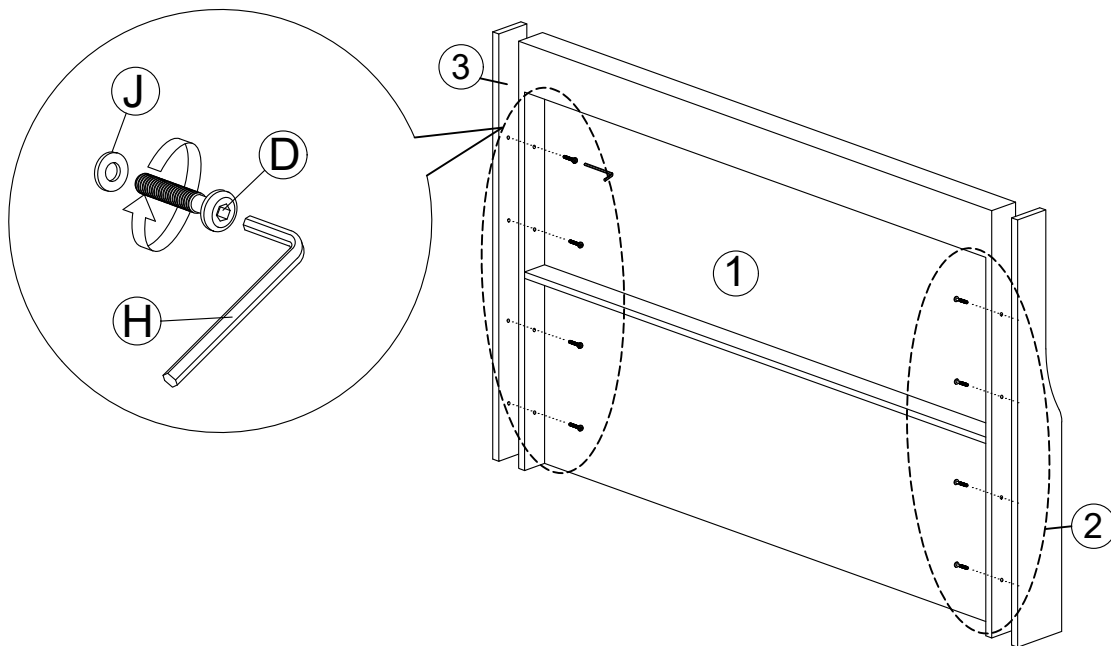


Assembly Instruction

Step 5

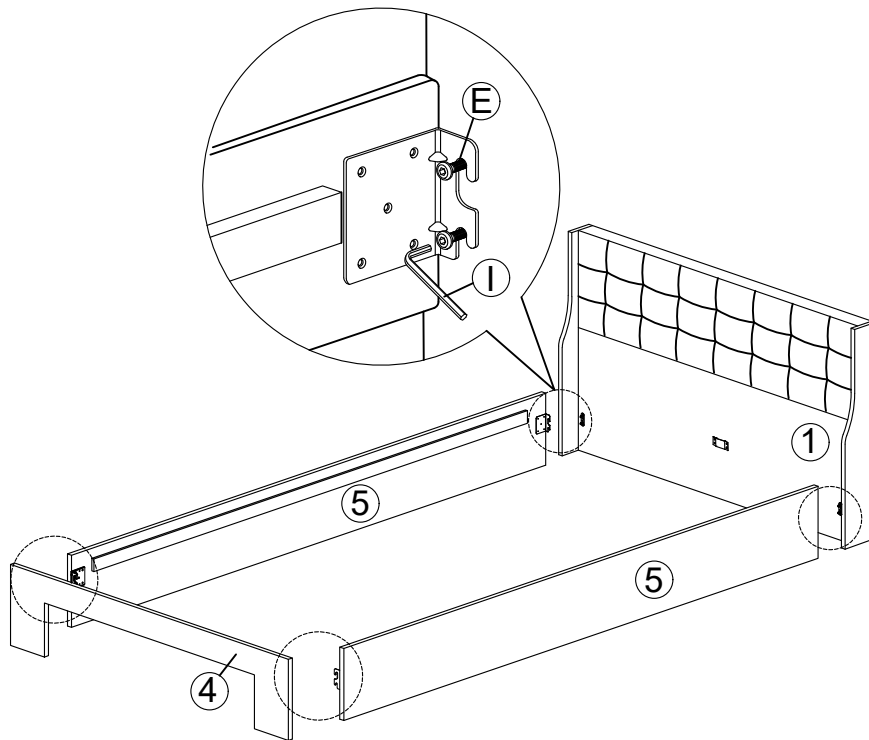


Step 6

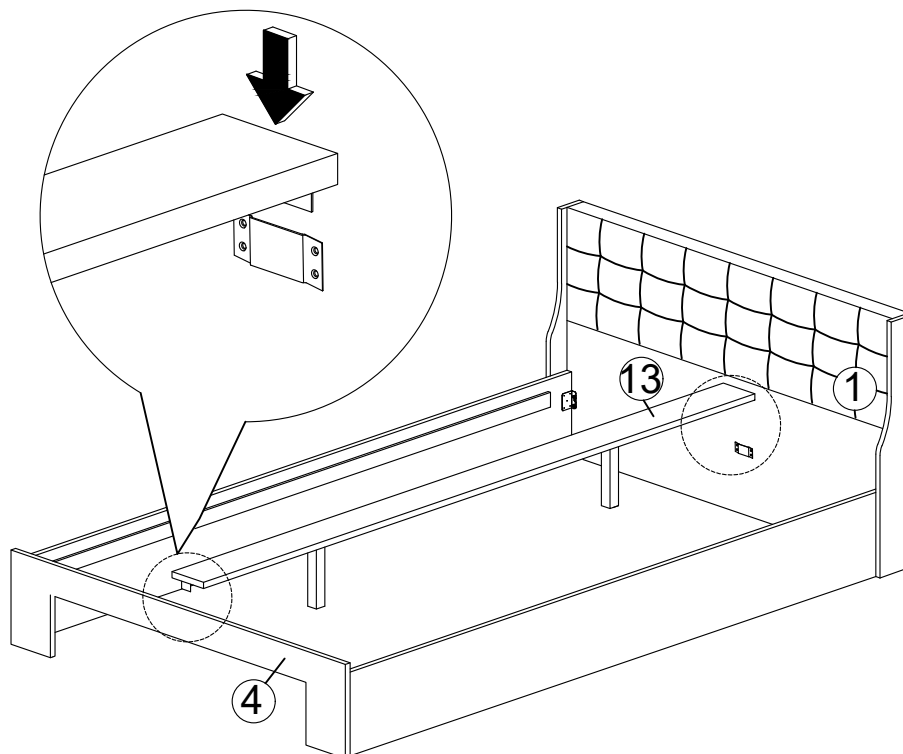


Assembly Instruction

Step 7

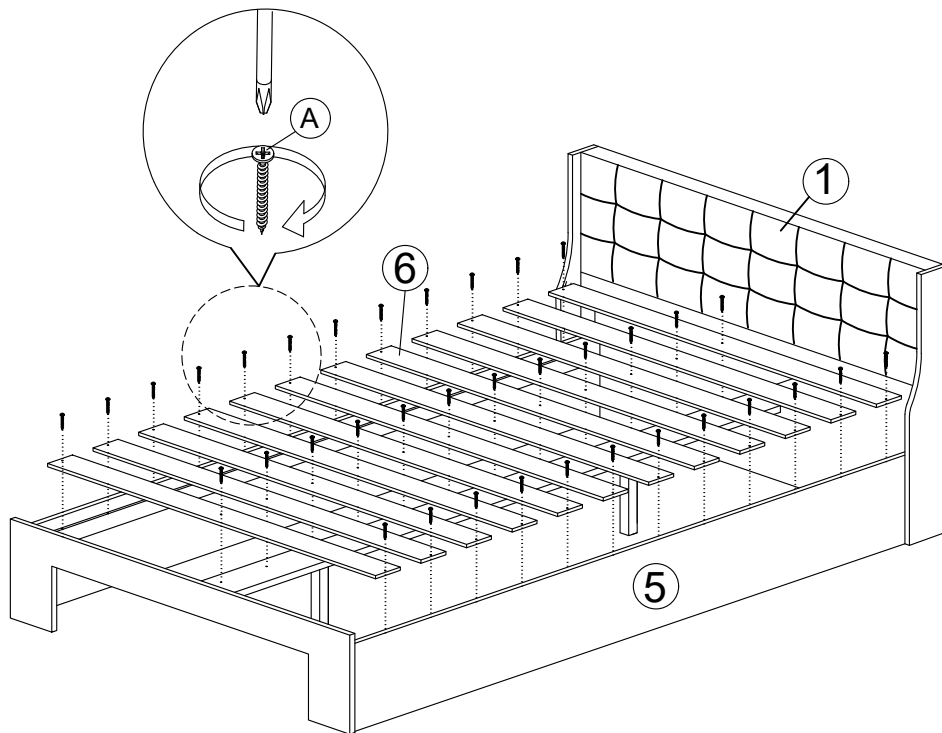


Step 8



Assembly Instruction

Step 9



Step 10

