

ASSEMBLY INSTRUCTIONS

Model no : BW21-03C

Read this instruction carefully. Remove all wrapping material, staples and straps from the carton.

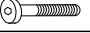
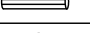
See hardware and furniture part list.

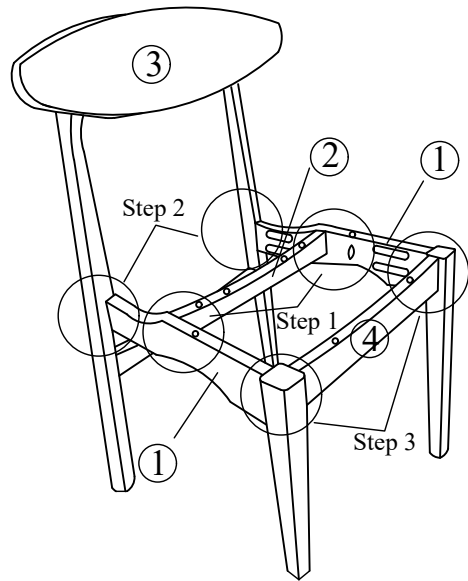
For guidance. Be sure you have all wooden furniture parts on a clean and flat soft surface, such as a carpet or rug, to prevent from being scratched. Follow the figure to start assembling.

CAUTION :

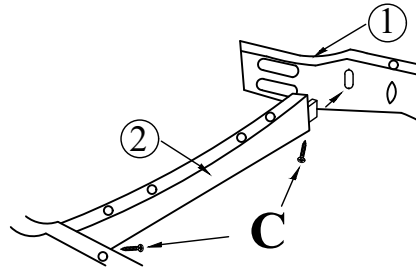
1. Do not FULLY - TIGHTEN the nut or screw until all is ready to assemble.
2. Do not OVER - TIGHTEN the nut or screw to avoid causing damages to the thread.
3. Keep all hardware part out reach of children.

No	Part List	Qty
1	Side Rail	2
2	Center Support	2
3	Back Leg	1
4	Front Leg	1
5	Cushion Seat	1

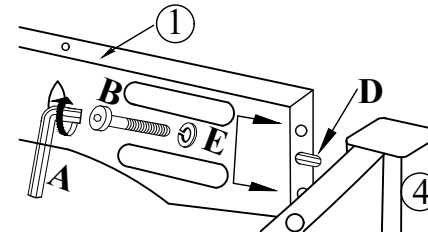
No	Description	Qty
A	M4 ALLEN KEY 	1
B	JCBC Screw M6 x 50mm 	8
C	CSK Screw M4 x 32mm 	8
D	Wood Dowel 8 x 30mm 	4
E	Spring Washer 	8
F		



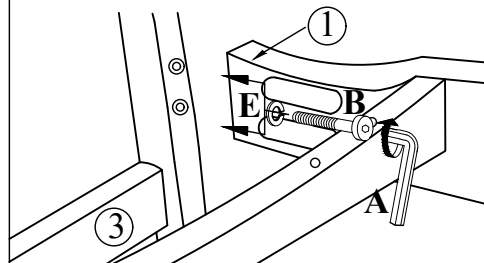
Step 1
Firstly, attach part 1 and 2 for both left and right side and lock using hardware C



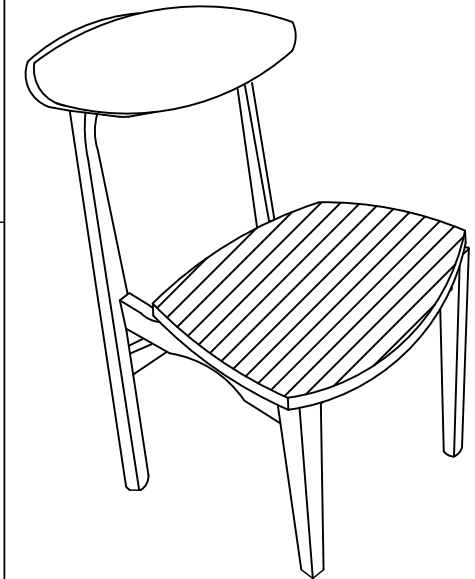
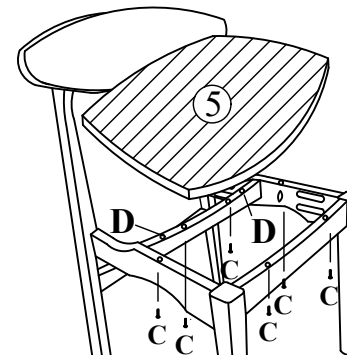
Step 3
Attach part 4 with the assembled part 1, and lock it using hardware A, B, D, and E.



Step 2
Attach part 3 with the assembled STEP 1, and lock it using hardware A, B and E.



Step 4
Use hardware D to locate part 5 on the assembled seating frame as shown, and fully tighten it with hardware C.



COMPLETE ASSEMBLE