

ASSEMBLY INSTRUCTIONS

Read this instruction carefully. See hardware and furniture part list for guidance. Be sure all parts are complete, before you assemble. Place all wooden furniture parts on a clean and flat soft surface to prevent from being scratched. Follow the figure to start assembling.

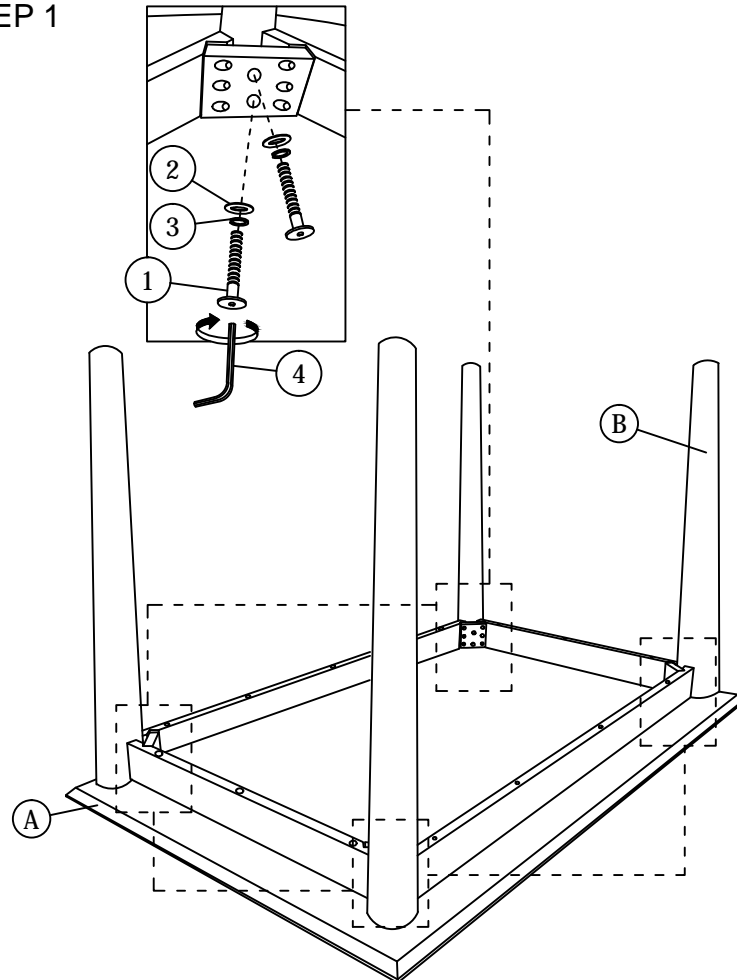
CAUTIONS : 1. Do not FULLY - TIGHTEN the nut or nut bolt until all nut or bolt is ready assembled.
2. Do not OVER - TIGHTEN the nut or bolt to avoid causing damages to the thread.
3. Keep all hardware parts out of reach of children.

NOTE : THE LIST AND QUANTITY SHOWN ARE FOR 1 UNIT ASSEMBLY.

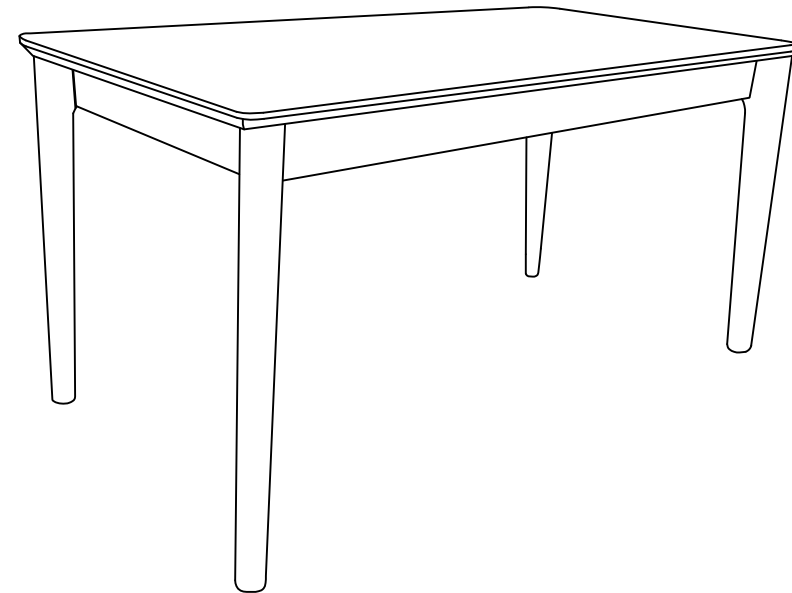
PART LIST		
ITEM	DESCRIPTION	QTY
A	TABLE TOP	1 PC
B	LEGS	4 PCS

PART LIST		
ITEM	DESCRIPTION	QTY
1	JCBC BOLT M6 x 60mm 	8 PCS
2	M6 FLAT WASHER 	8 PCS
3	M6 SPRING WASHER 	8 PCS
4	M4 ALLEN KEY 	1 PC

STEP 1



STEP 2









Read this instruction carefully. See hardware and furniture part list for guidance. Be sure all parts are complete, before you assemble. Place all wooden furniture parts on a clean and flat soft surface to prevent from being scratched. Follow the figure to start assembling.

CAUTIONS : 1. Do not FULLY - TIGHTEN the nut or nut bolt until all nut or bolt is ready assembled.
 2. Do not OVER - TIGHTEN the nut or bolt to avoid causing damages to the thread.
 3. Keep all hardware parts out of reach of children.

NOTE : THE LIST AND QUANTITY SHOWN ARE FOR 1 UNIT ASSEMBLY.

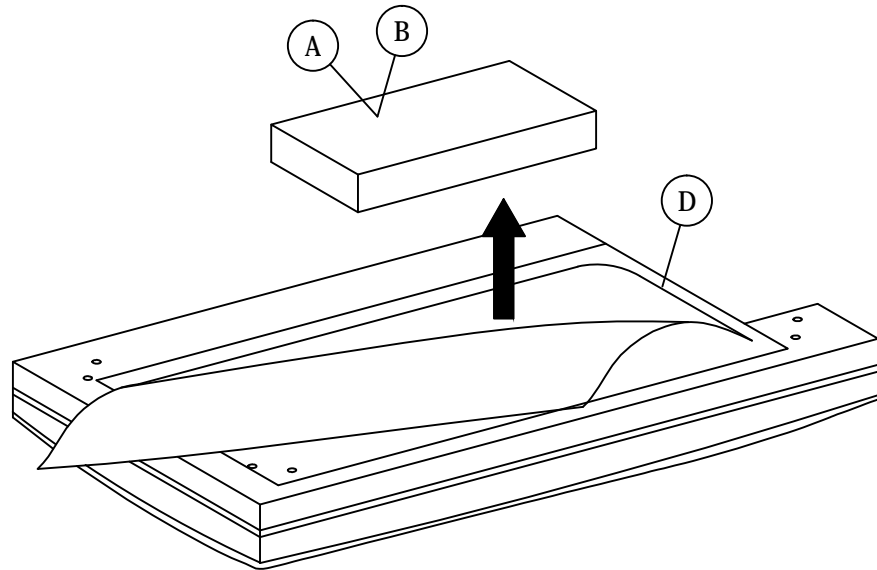
Tool needed : Screwdriver (not provider).

PART LIST		
ITEM	DESCRIPTION	QTY
A	LEG FRONT	2 PCS
B	LEG BACK (L/R)	2 PCS
C	CUSHION BACK	1 PC
D	CUSHION SEAT	1 PC
E	ARM	1 PC

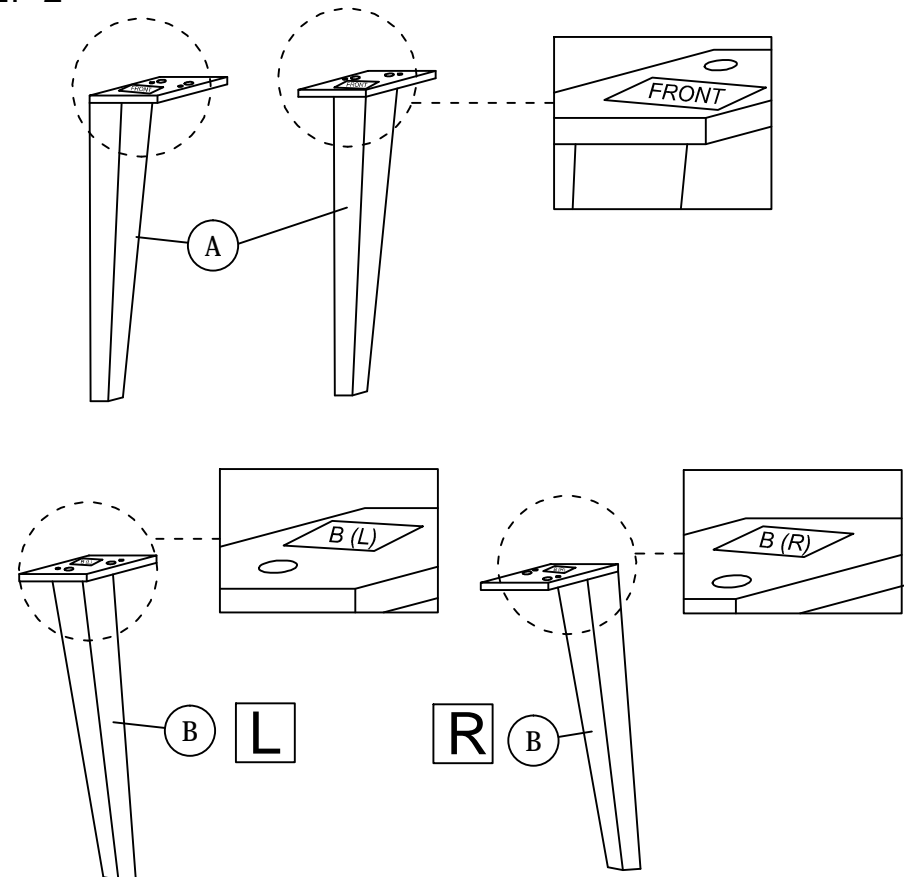
HARDWARE LIST		
ITEM	DESCRIPTION	QTY
1	JCBB BOLT M8 x 45mm 	8pcs
2	JCBB BOLT M8 x 30mm 	8pcs
3	M8 FLAT WASHER 	16pcs
4	M8 SPRING WASHER 	16pcs
5	WOOD SCREW M4 x 25mm 	8 PCS
6	M5ALLEN KEY (BALL SHAPE) 	1PC

STEP 1

Take out **LEG (A) & (B)** from the **CUSHION SEAT (D)**.

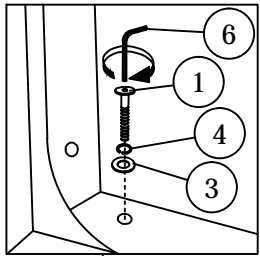
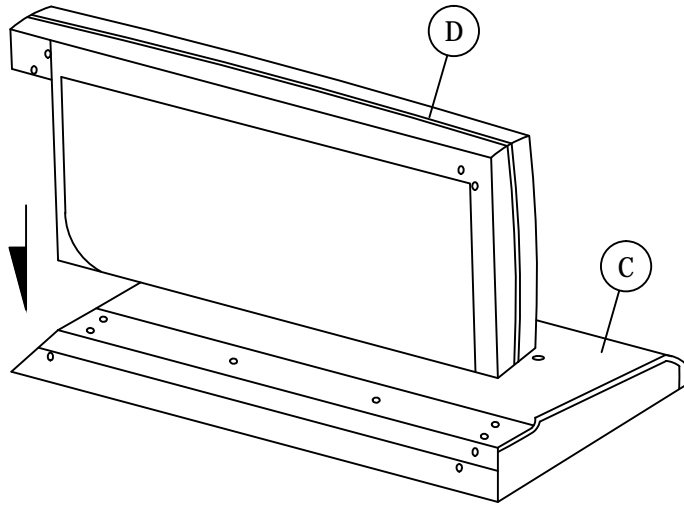


STEP 2

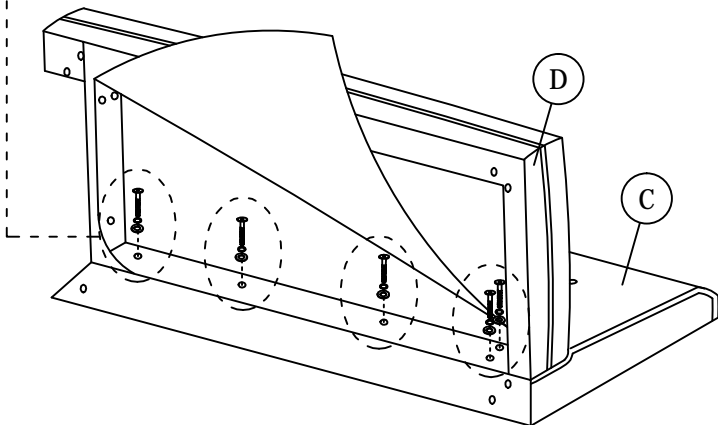


ASSEMBLY INSTRUCTIONS

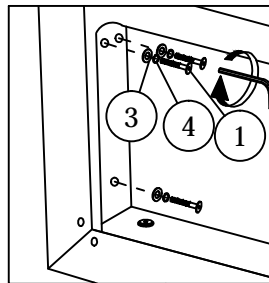
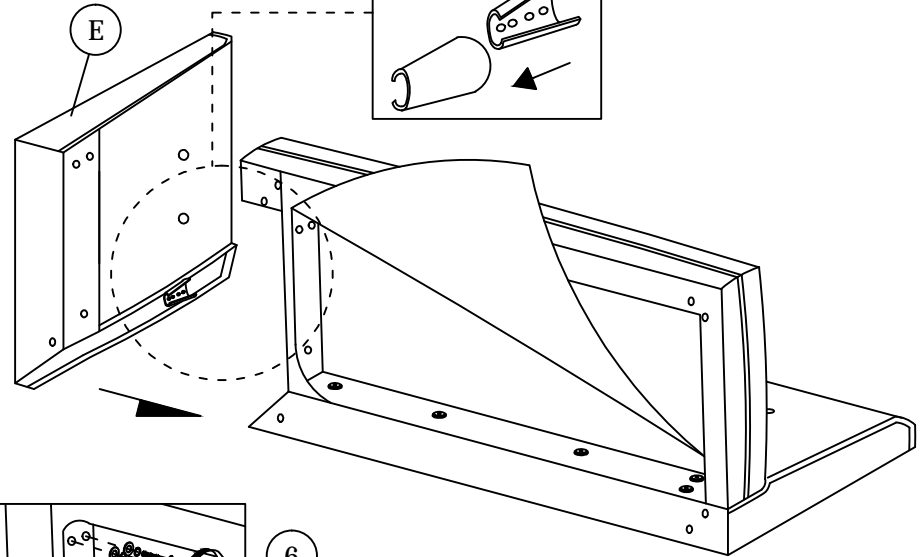
STEP 3



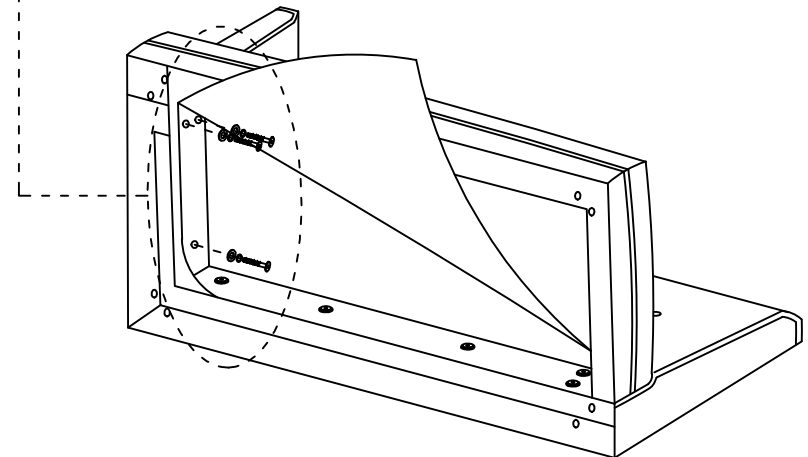
Don't screw tied



STEP 4

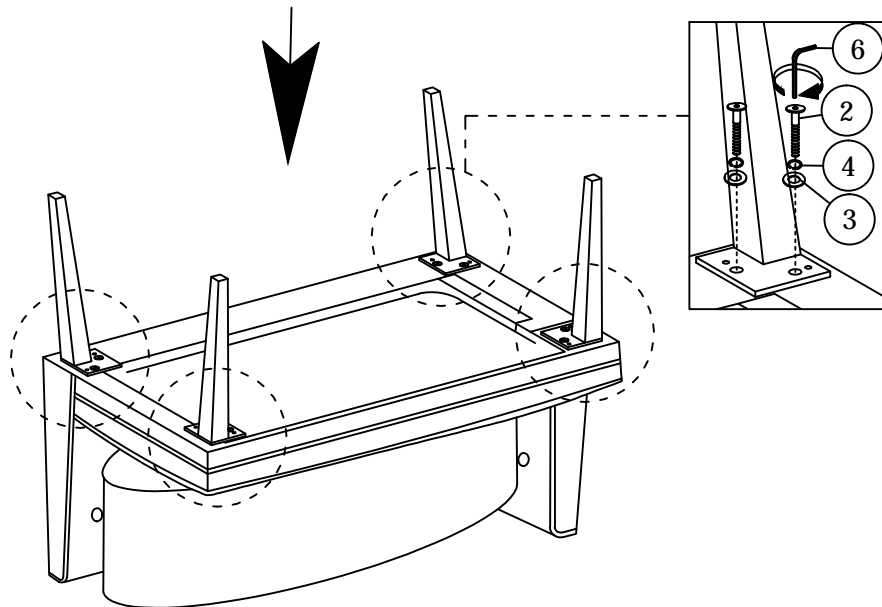
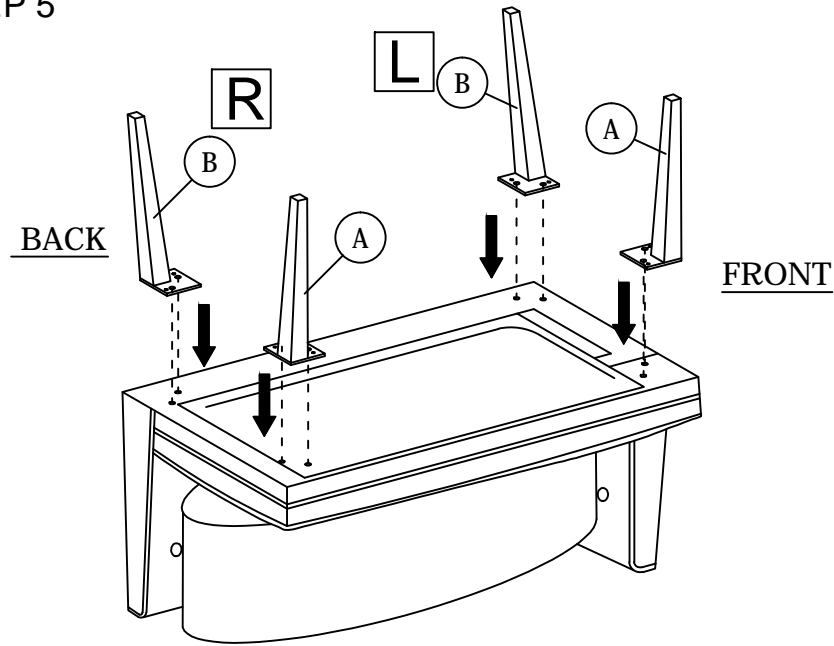


**Finish step 4,
Please screw tied
the step 3 bolt.

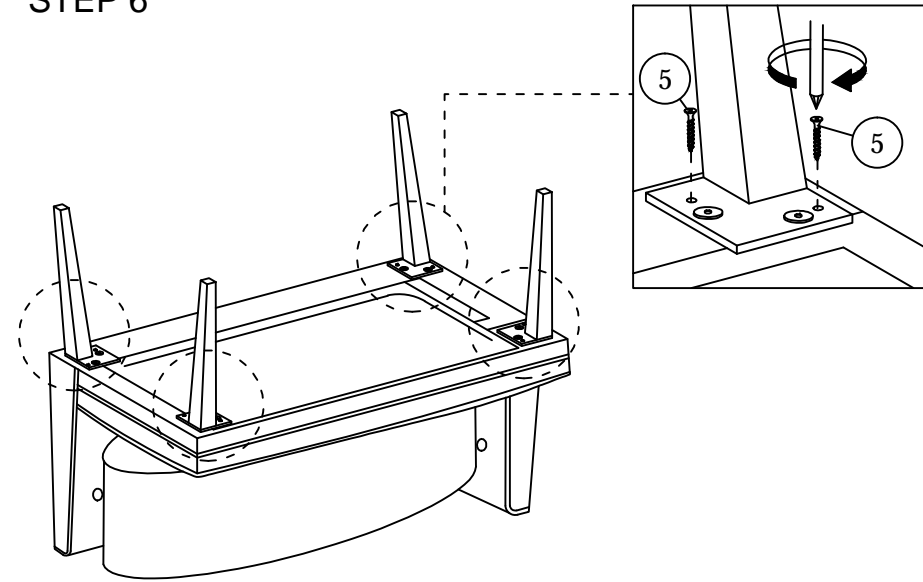


ASSEMBLY INSTRUCTIONS

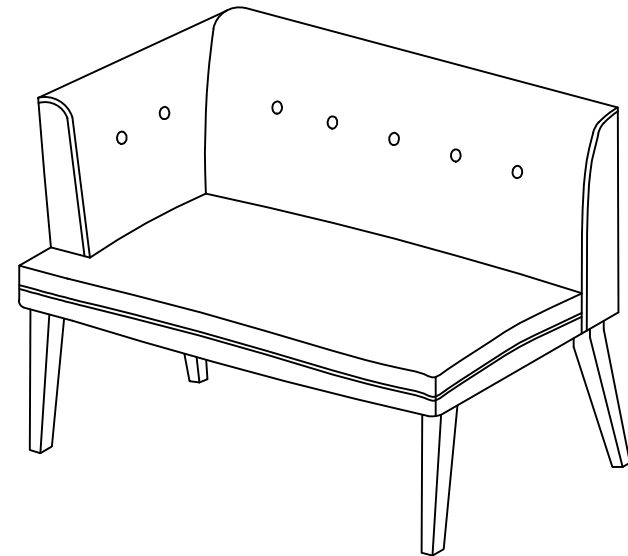
STEP 5



STEP 6



STEP 7



Read this instruction carefully. See hardware and furniture part list for guidance. Be sure all parts are complete, before you assemble. Place all wooden furniture parts on a clean and flat soft surface to prevent from being scratched.





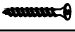

Follow the figure to start assembling.

CAUTIONS : 1. Do not FULLY - TIGHTEN the nut or nut bolt until all nut or bolt is ready assembled.
 2. Do not OVER - TIGHTEN the nut or bolt to avoid causing damages to the thread.
 3. Keep all hardware parts out of reach of children.

NOTE : THE LIST AND QUANTITY SHOWN ARE FOR 1 UNIT ASSEMBLY.

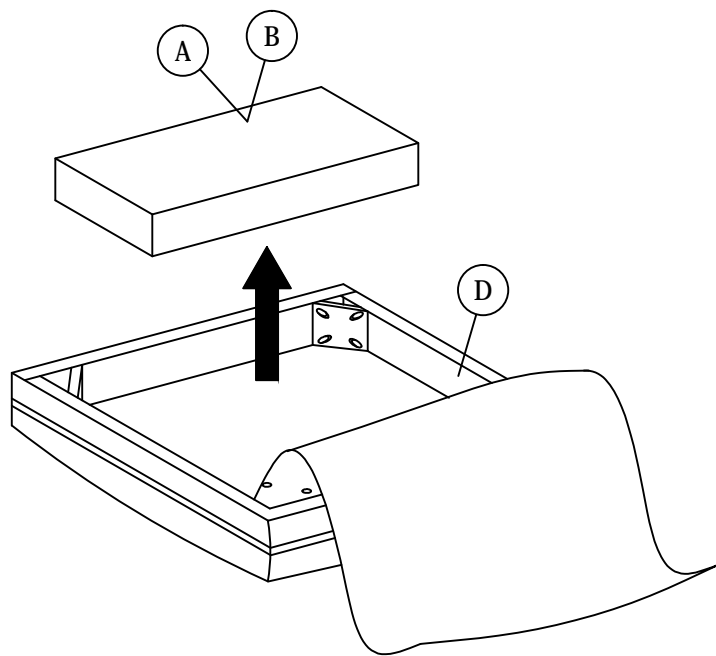
Tool needed : Screwdriver (not provider).

PART LIST		
ITEM	DESCRIPTION	QTY
A	LEG FRONT	2 PCS
B	LEG BACK (L/R)	2 PCS
C	CUSHION BACK	1 PC
D	CUSHION SEAT	1 PC

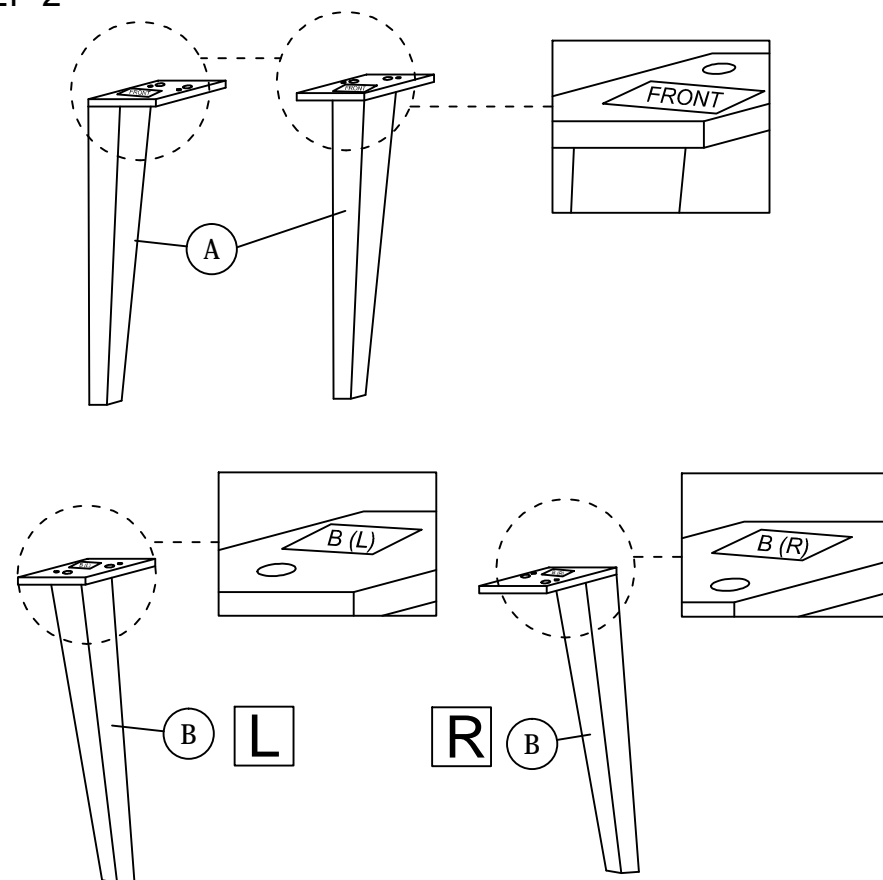
HARDWARE LIST		
ITEM	DESCRIPTION	QTY
1	JCBB BOLT M8 x 45mm 	4pcs
2	JCBB BOLT M8 x 30mm 	8pcs
3	M8 FLAT WASHER 	12pcs
4	M8 SPRING WASHER 	12pcs
5	WOOD SCREW M4 x 25mm 	8 PCS
6	M5ALLEN KEY (BALL SHAPE) 	1PC

STEP 1

Take out **LEG (A) & (B)** from the **CUSHION SEAT (D)**.

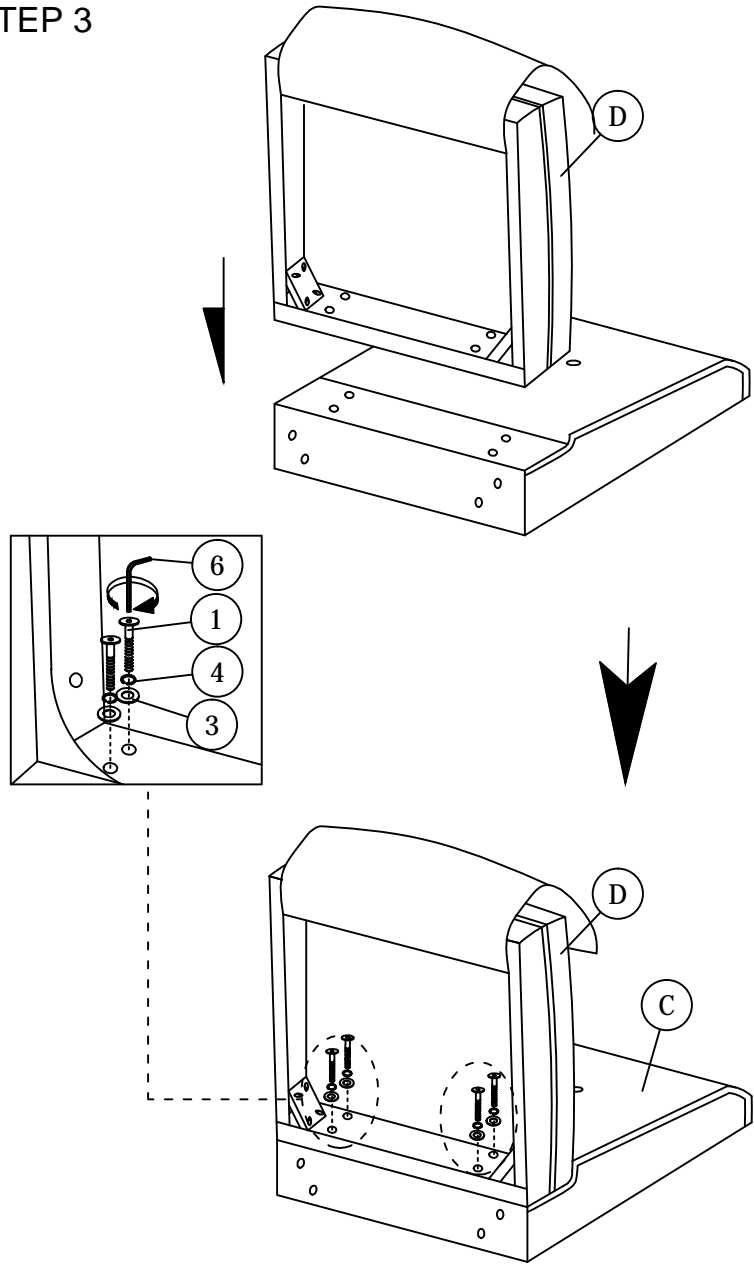


STEP 2

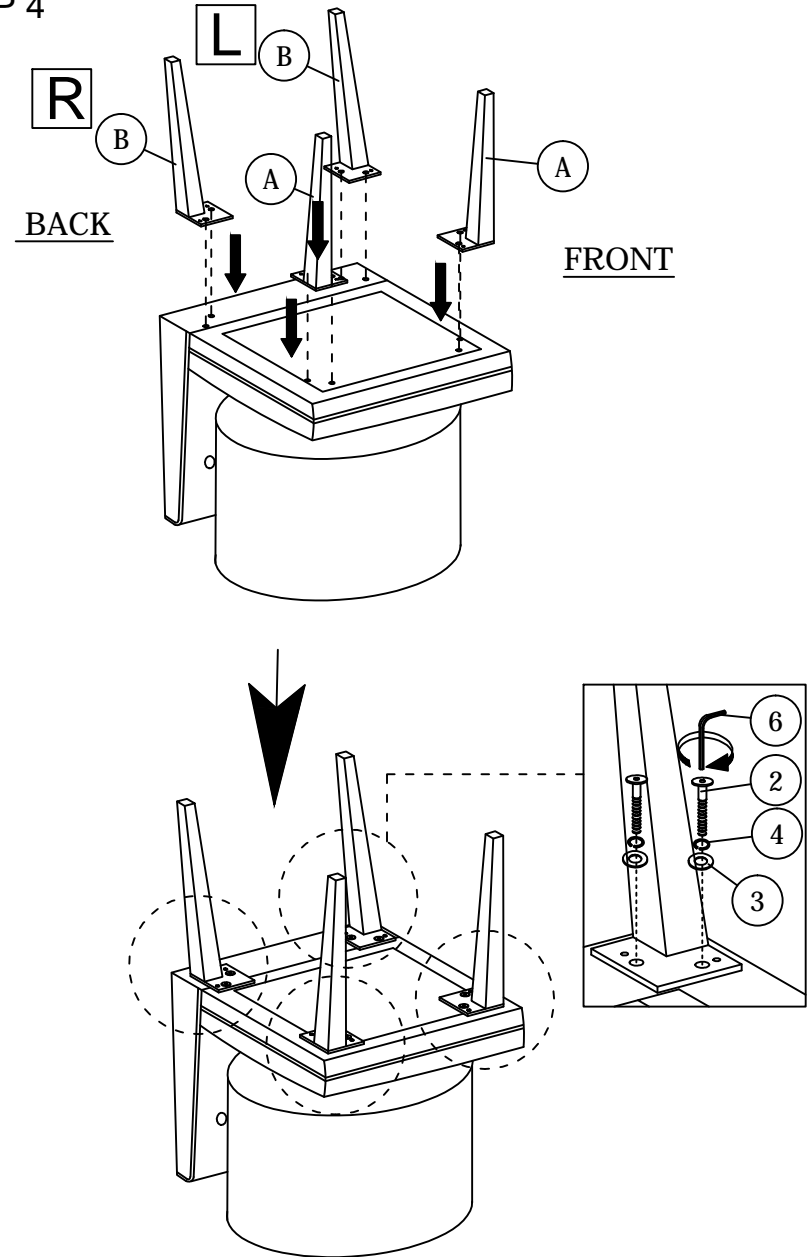


ASSEMBLY INSTRUCTIONS

STEP 3



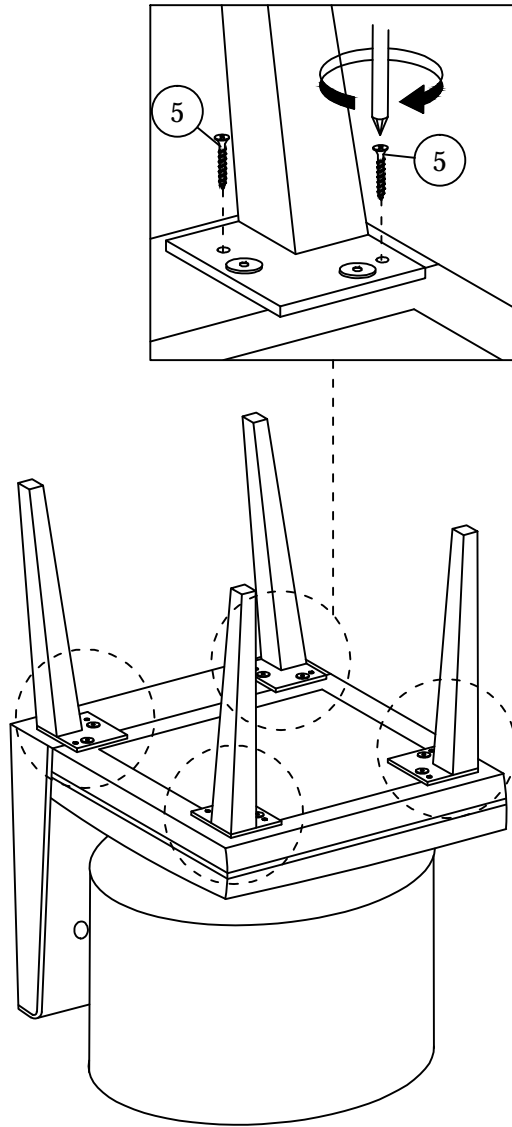
STEP 4



ASSEMBLY INSTRUCTIONS

3 OF 3

STEP 5



STEP 6

