

Read this instruction carefully. See hardware and furniture part list for guidance. Be sure all parts are complete, before you assemble. Place all wooden furniture parts on a clean and flat soft surface to prevent from being scratched. Follow the figure to start assembling.

CAUTIONS :

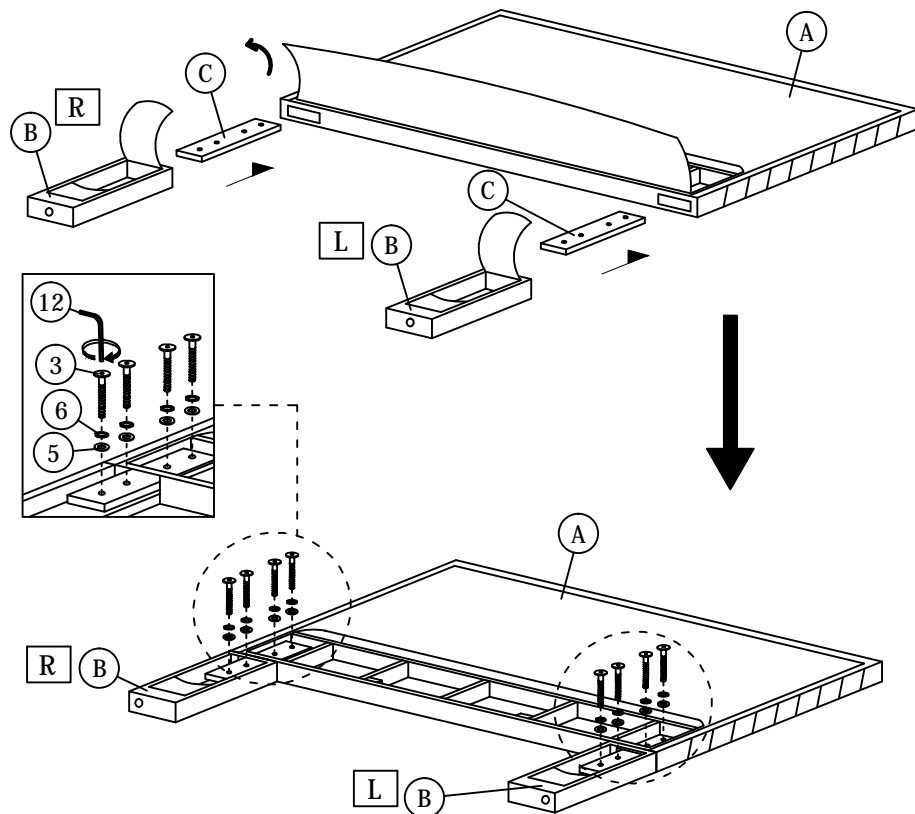
1. Do not FULLY - TIGHTEN the nut or nut bolt until all nut or bolt is ready assembled.
2. Do not OVER - TIGHTEN the nut or bolt to avoid causing damages to the thread.
3. Keep all hardware parts out of reach of children.

NOTE : THE LIST AND QUANTITY SHOWN ARE FOR 1 UNIT ASSEMBLY.
Tool needed : Screwdriver (not provider).

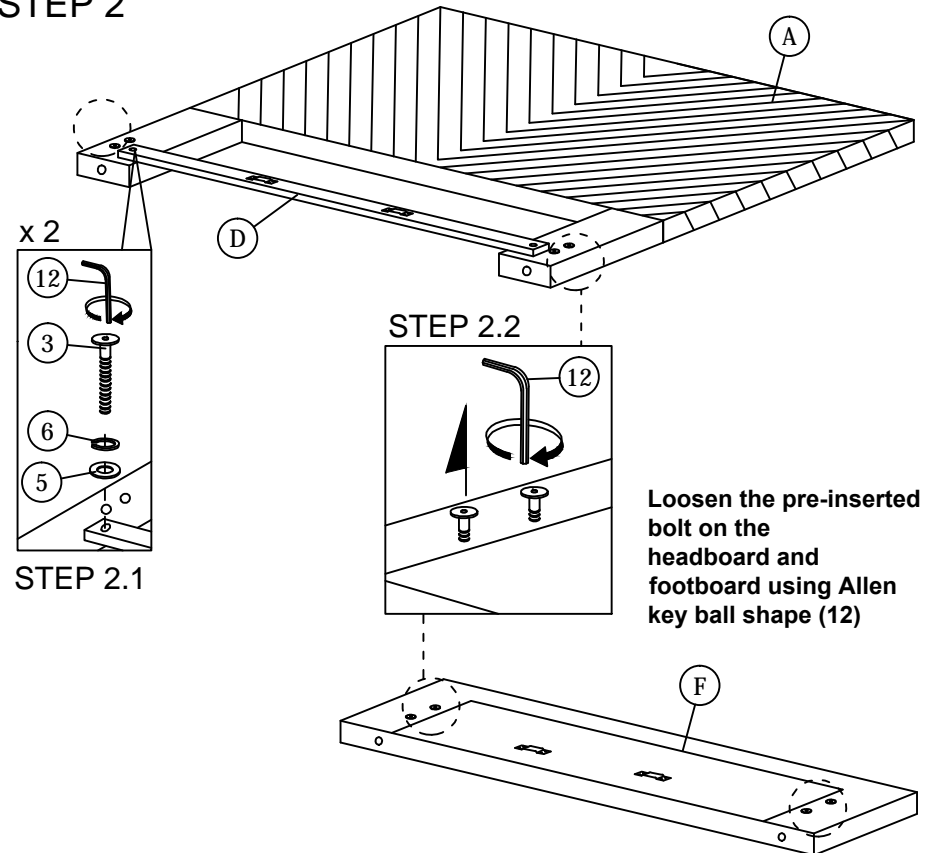
PART LIST		
ITEM	DESCRIPTION	QTY
A	HEADBOARD	1 PC
B	HEADBOARD LEG (L/R)	2 PCS
C	HEADBOARD SUPPORT WOOD	2 PCS
D	HEADBOARD SUPPORT RAIL	1 PC
E	BED LEG	4 PCS
F	FOOTBOARD	1 PC
G	SIDE RAIL	2 PCS
H	CENTER RAIL	2 PCS
I	CENTER SUPPORT LEG	6 PCS
J	CENTER SUPPORT	3 PCS
K	BED SLAT	39 PCS
L	LEG SUPPORT WOOD	4 PCS

HARDWARE LIST		
ITEM	DESCRIPTION	QTY
1	JCBC BOLT M6 x 20mm	8 PCS
2	JCBC BOLT M6 x 35mm	8 PCS
3	JCBB BOLT M8 x 45mm	10 PCS
4	M6 SPRING WASHER	16 PCS
5	M8 FLAT WASHER	10 PCS
6	M8 SPRING WASHER	10 PCS
7	BED SLAT SIDE FITTER	26 PCS
8	BED SLAT CENTER FITTER	26 PCS
9	WOOD SCREW M3.5 x 16mm	12 PCS
10	WOOD SCREW M4 x 20mm	4 PCS
11	M4 ALLEN KEY (BALL SHAPE)	1 PC
12	M5 ALLEN KEY (BALL SHAPE)	1 PC
13	M6 FLAT WASHER	16 PCS

STEP 1



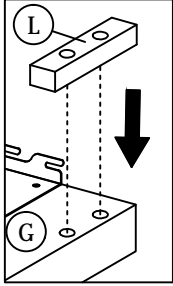
STEP 2



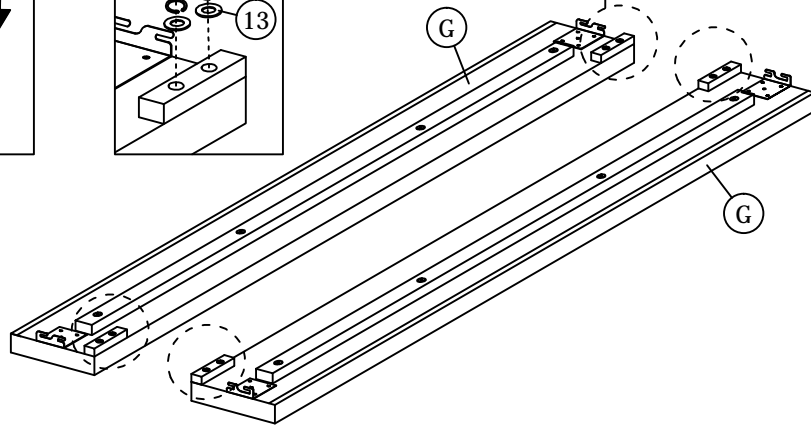
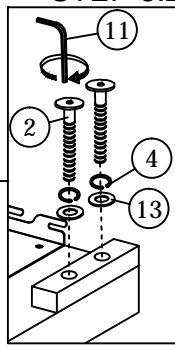
ASSEMBLY INSTRUCTIONS

STEP 3

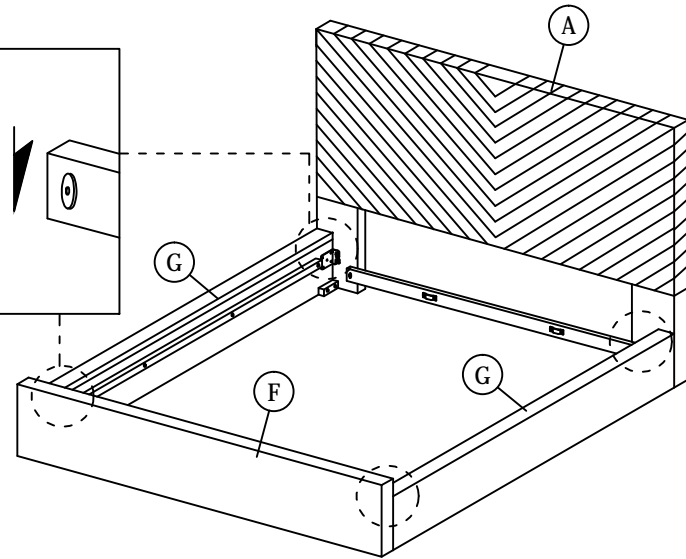
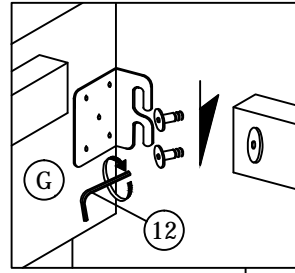
STEP 3.1



STEP 3.2

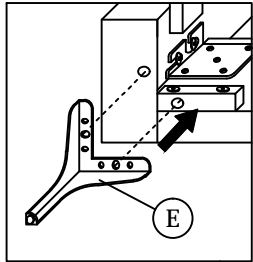


STEP 4

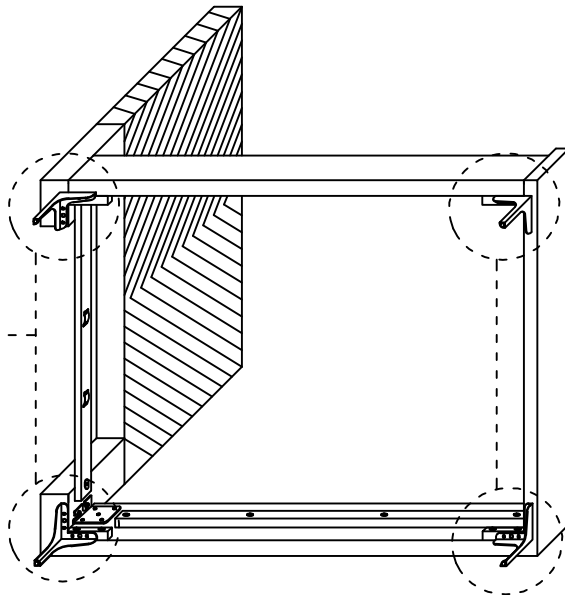
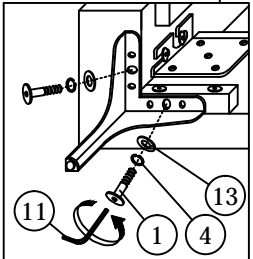


STEP 5

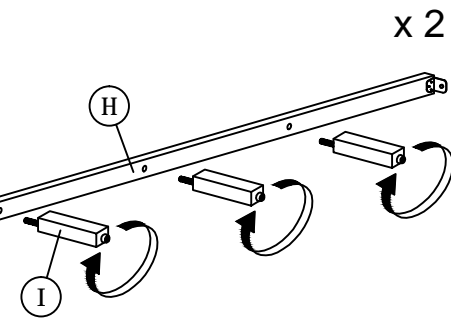
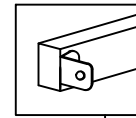
STEP 5.1



STEP 5.2



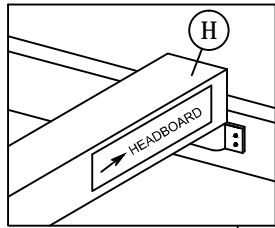
STEP 6



ASSEMBLY INSTRUCTIONS

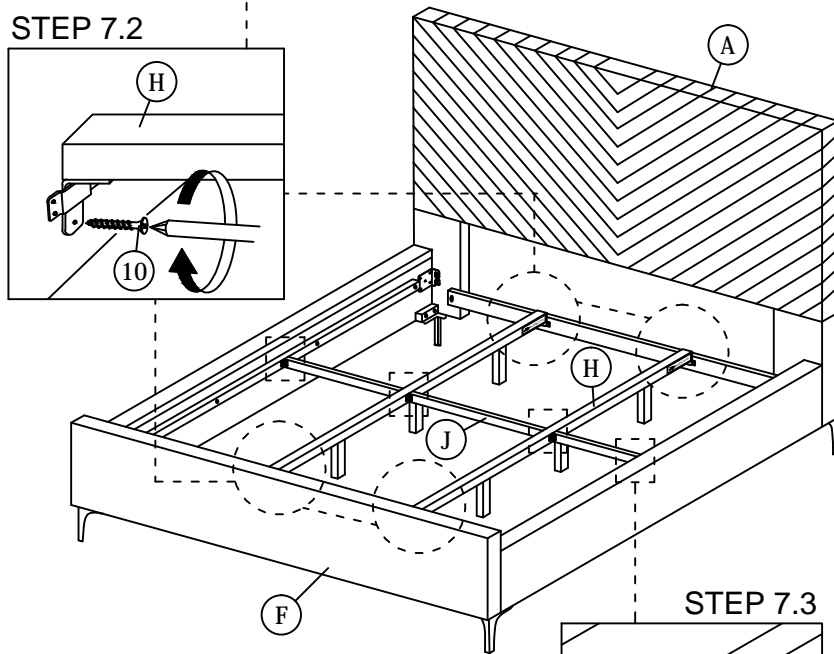
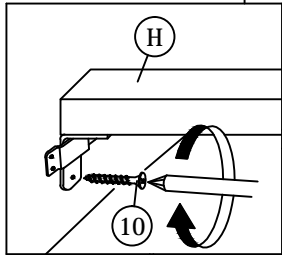
STEP 7

STEP 7.1

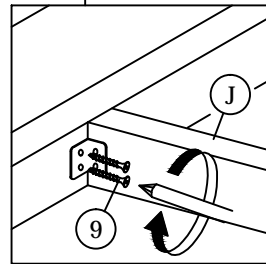


Note: Make sure the sticker "-> HEADBOARD" faced to headboard [A]

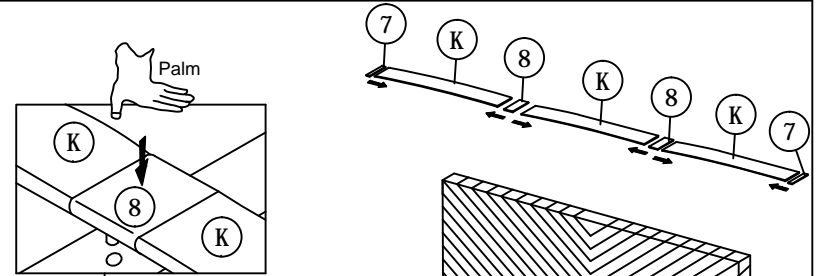
STEP 7.2



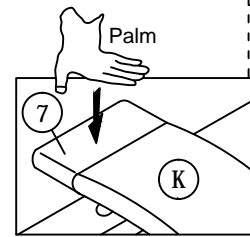
STEP 7.3



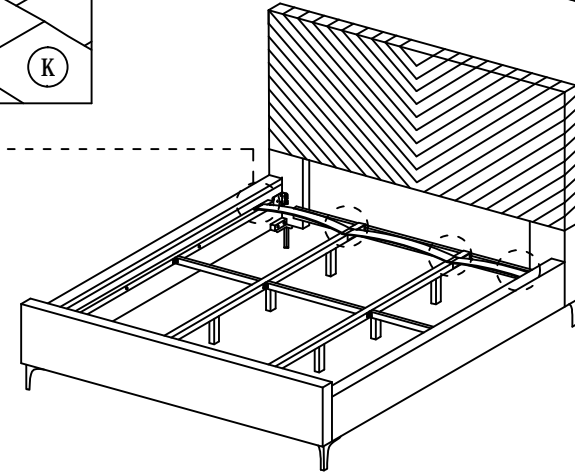
STEP 8



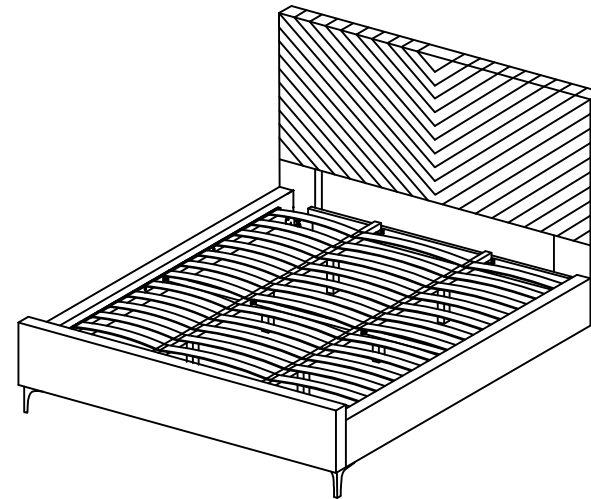
STEP 8.1



STEP 8.2



STEP 9



* When moving the bed position, the center support legs must be adjust to be straight to avoid any broken problem.