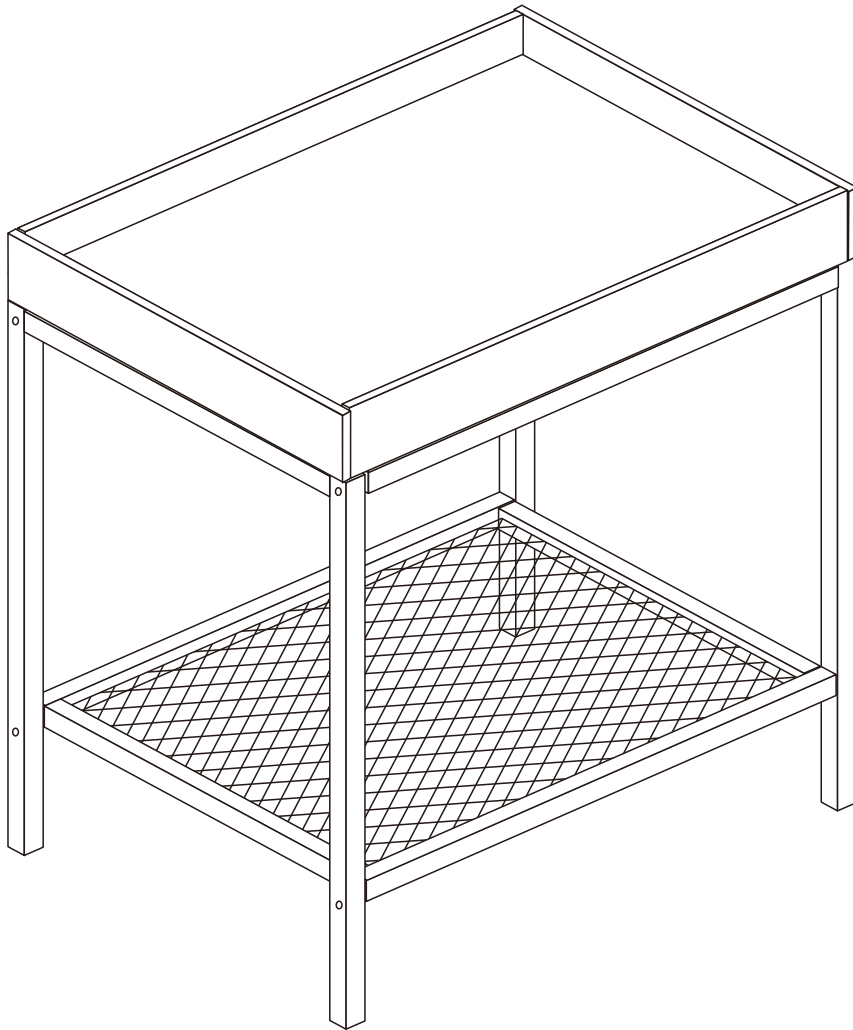


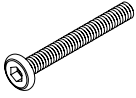
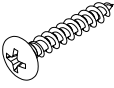
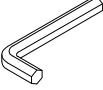
NIGHT STAND

Model: 12493

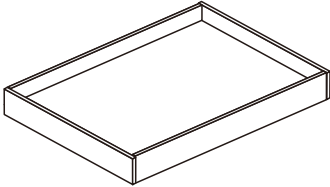
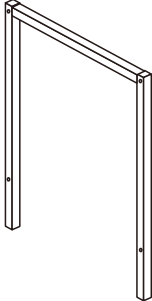
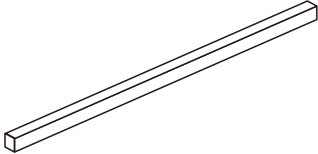
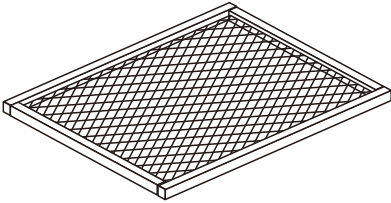


ASSEMBLY INSTRUCTION

HARDWARE LIST

a		b		c	
8 PCS		4 PCS		1 PC	

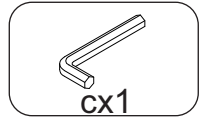
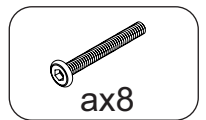
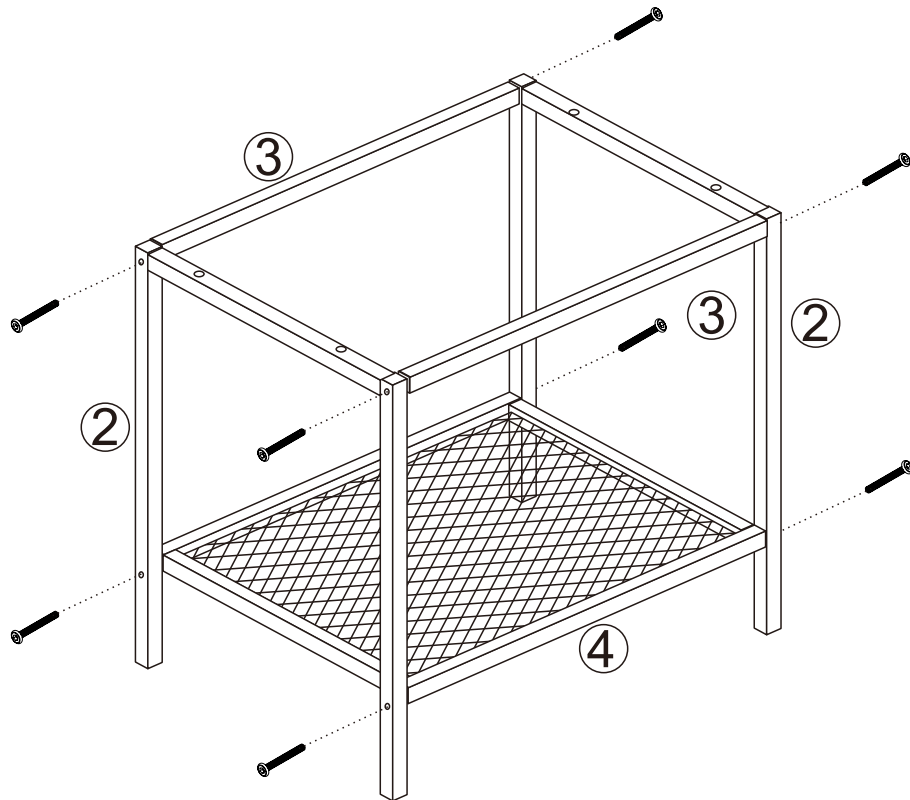
PARTS LIST

		
1—1PC	2—2PC	3—2PC
		
4—1PC		

ASSEMBLY STEPS

STEP 1.

Fix parts 2 to parts 3 and 4 using screws (a), as shown.



STEP 2.

Fix part 1 to assembled parts using screws (b), as shown.

