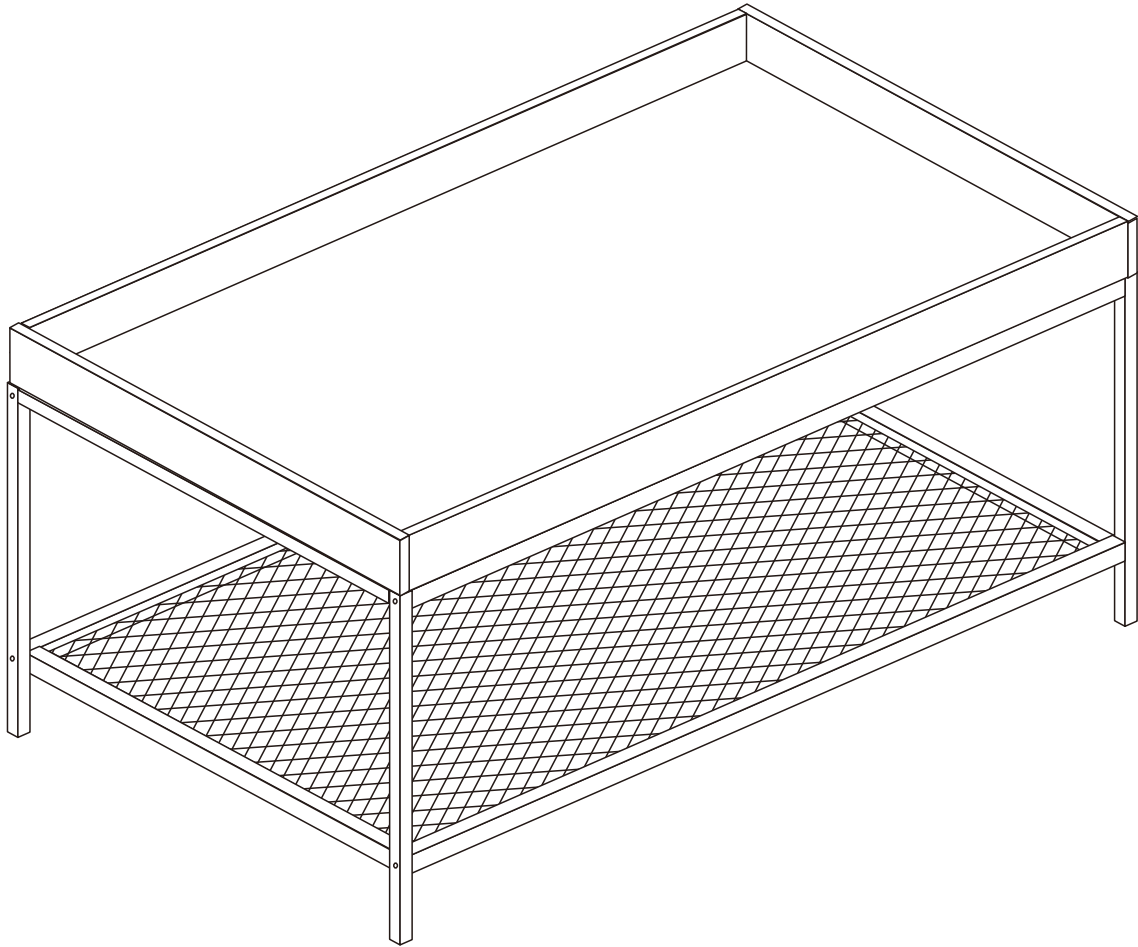


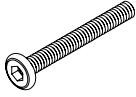
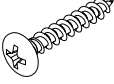
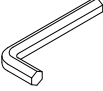
COFFEE TABLE

Model: 12492

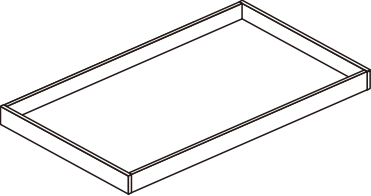
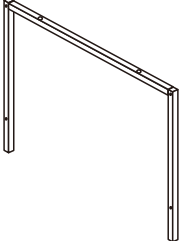
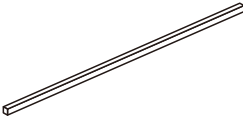
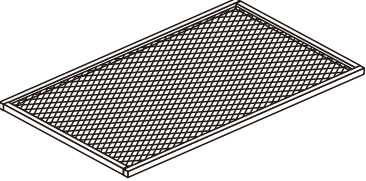


ASSEMBLY INSTRUCTION

HARDWARE LIST

| | | | | | |
|-------|---|-------|---|------|---|
| a | | b | | c | |
| 8 PCS |  | 4 PCS |  | 1 PC |  |

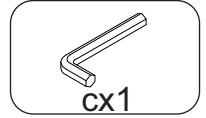
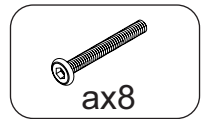
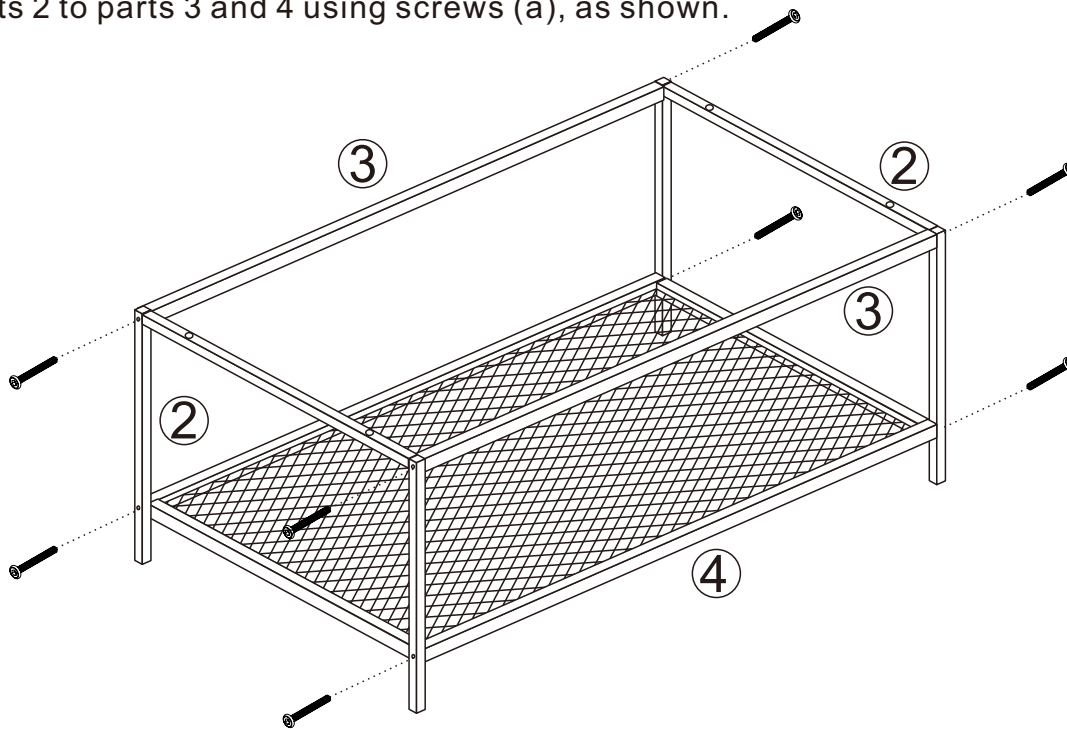
PARTS LIST

| | | |
|---|--|---|
|  |  |  |
| 1—1PC | 2—2PC | 3—2PC |
|  | | |
| 4—1PC | | |

ASSEMBLY STEPS

STEP 1.

Fix parts 2 to parts 3 and 4 using screws (a), as shown.



STEP 2.

Fix part 1 to assembled parts using screws (b), as shown.

