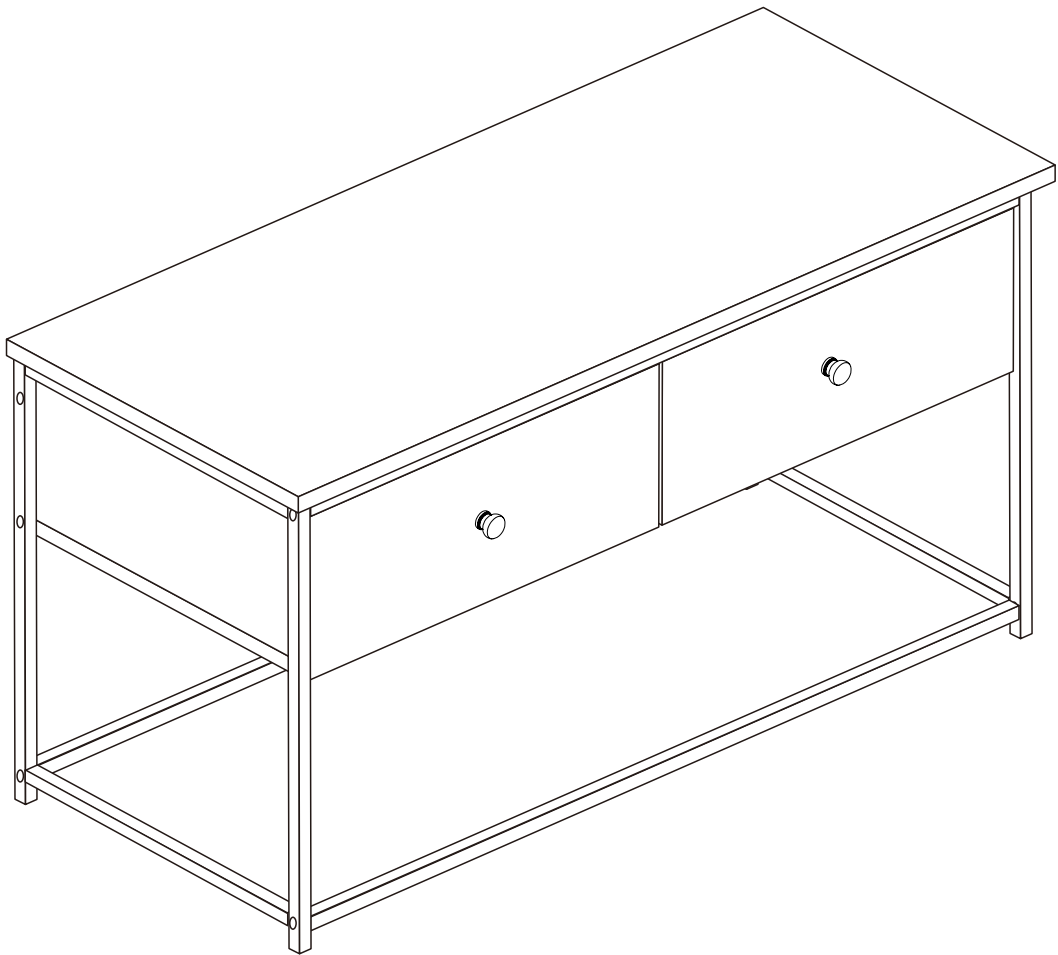


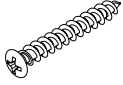
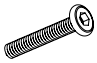
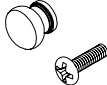
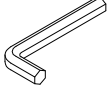
Coffee Table

Model: 12490

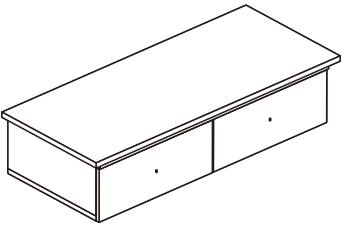
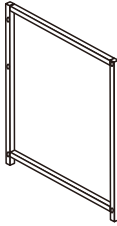
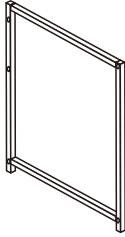
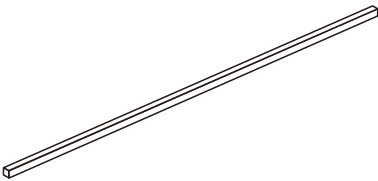


ASSEMBLY INSTRUCTION

HARDWARE LIST

A		B		C		D	
4 PCS		6 PCS		2 PCS		1 PC	

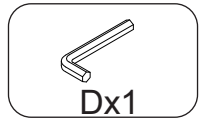
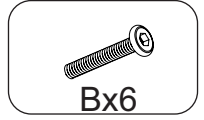
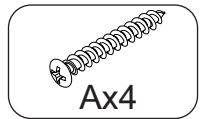
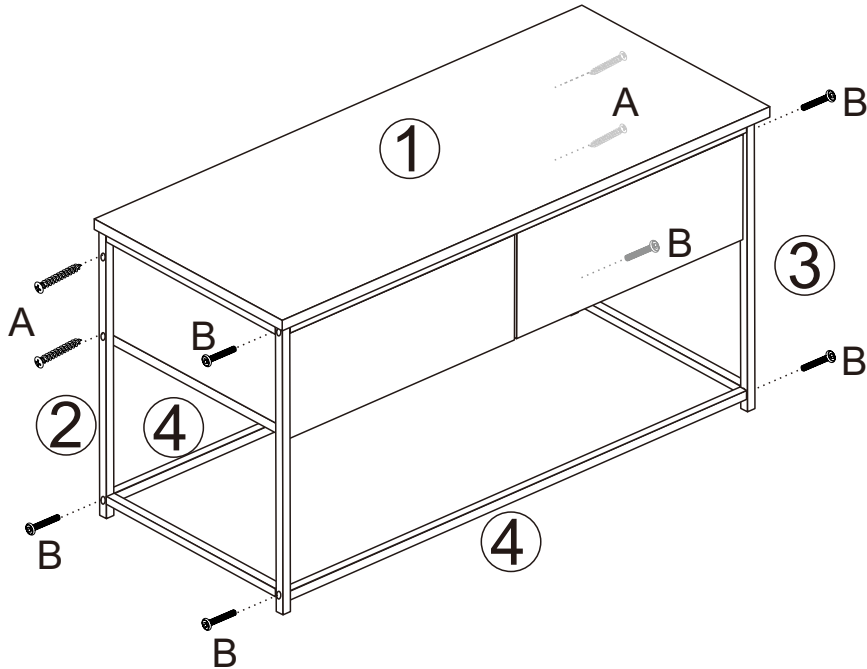
PARTS LIST

		
1—1PC	2—1PC	3—1PC
		
4—2PCS		

ASSEMBLY STEPS

STEP 1.

Fix parts 2 and 3 to parts 4 and part 1 using screws (A) and (B), as shown.



STEP 2.

Fix handles to drawers using screws (C), as shown.

