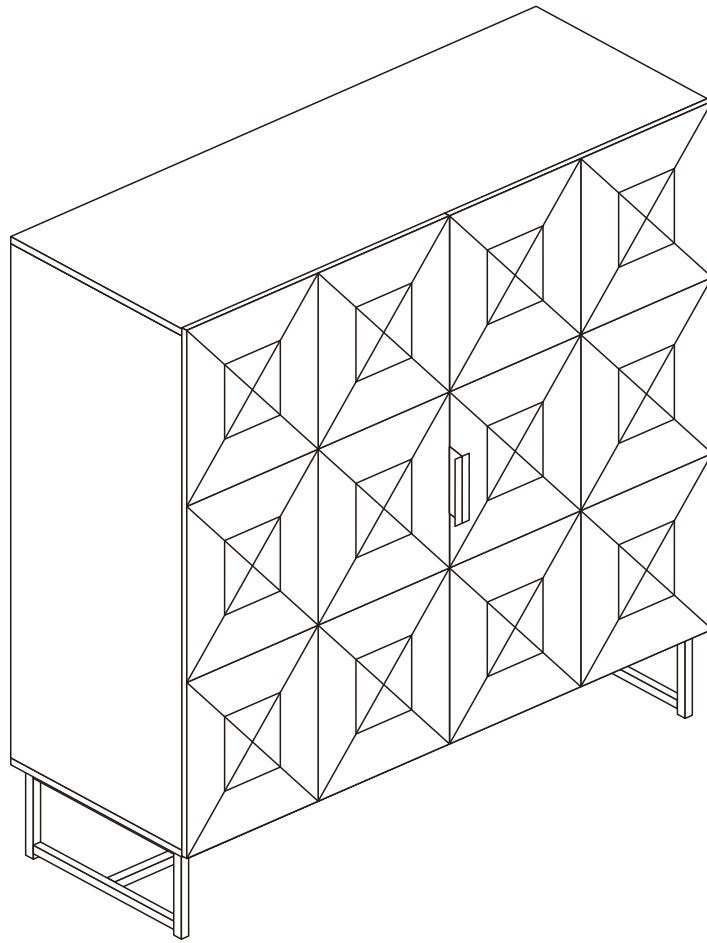




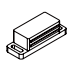
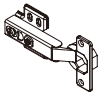
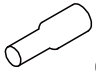

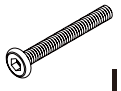
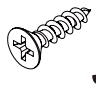

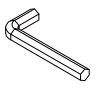

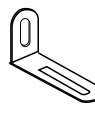
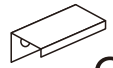
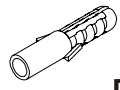

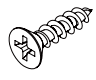


Cabinet

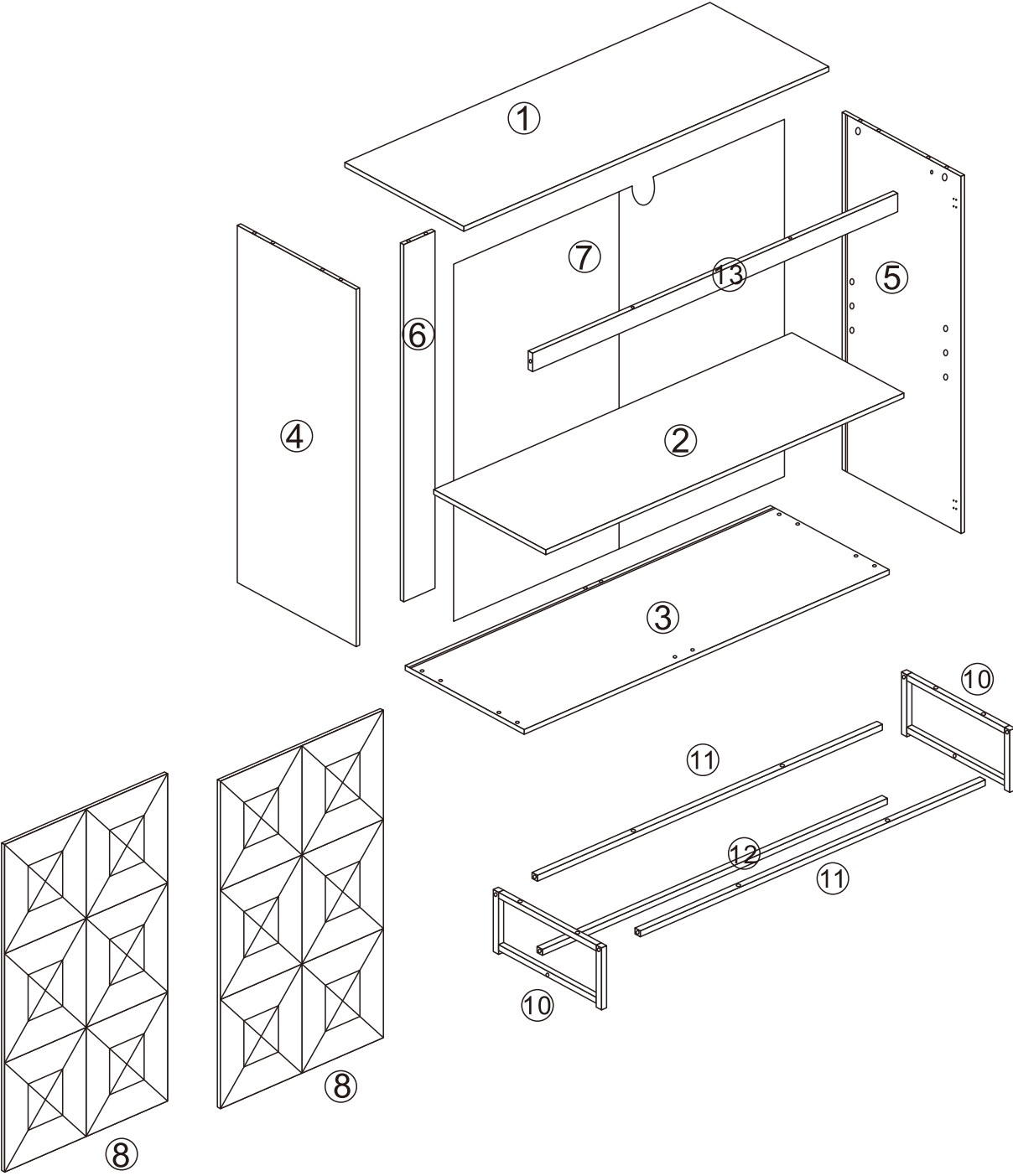


ASSEMBLY INSTRUCTION

HARDWARE LITS

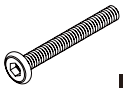
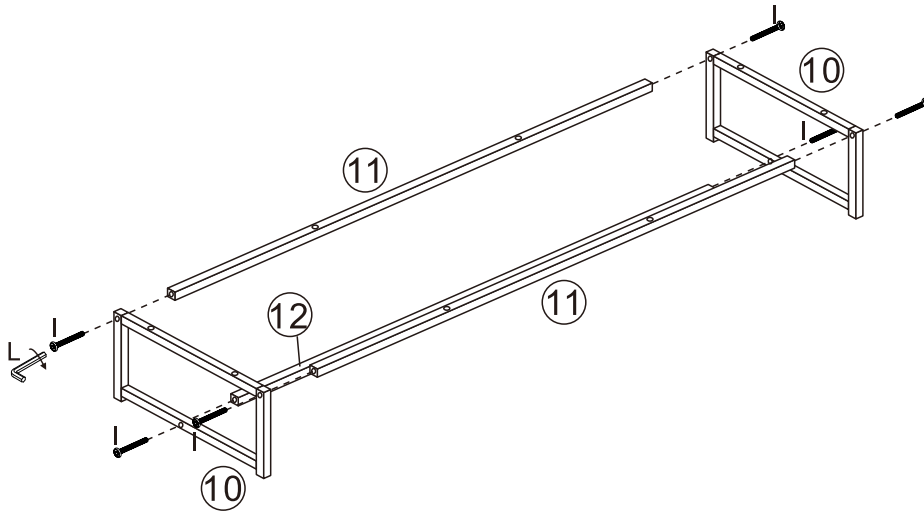
 Ax8	 Bx8	 Cx8	 Dx9	 Ex2	 Fx4
 Gx4	 Hx24	 Ix6	 Jx8	 Kx8	 Lx1
 Mx1	 Nx1	 Ox2	 Px1	 Qx4	 Rx4

PARTS LITS



ASSEMBLY STEPS

1 Fix parts 11 and 12 to parts 10 using screws (I), as shown.

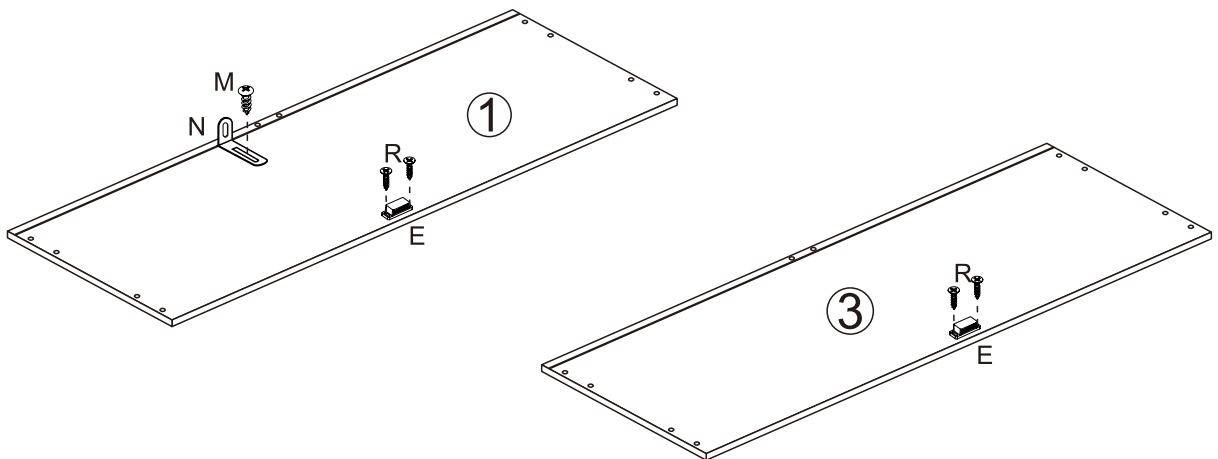


Ix6

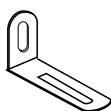


Lx1

2 Fix wall bracket (N) and hardware (E) to part 1 using screw (M) and (R), as shown. Fix hardware (E) to part 3 using screw (R), as shown.



Mx1



Nx1

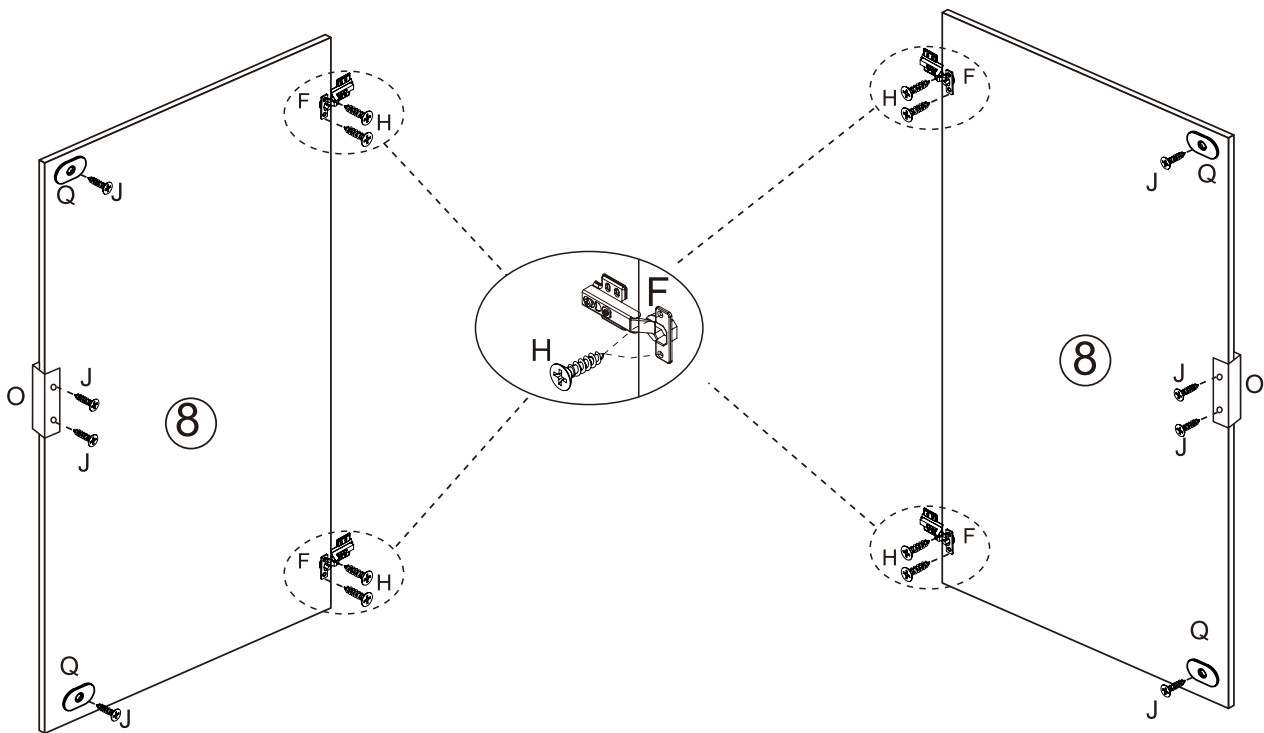


Ex2

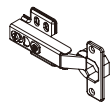


Rx4

- 3** Fix handles (O) and hardwares (Q) to doors 8 using screws (J), as shown.
Fix hinges (F) to doors 8 using screws (H), as shown.



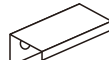
Qx4



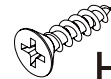
Fx4



Jx8

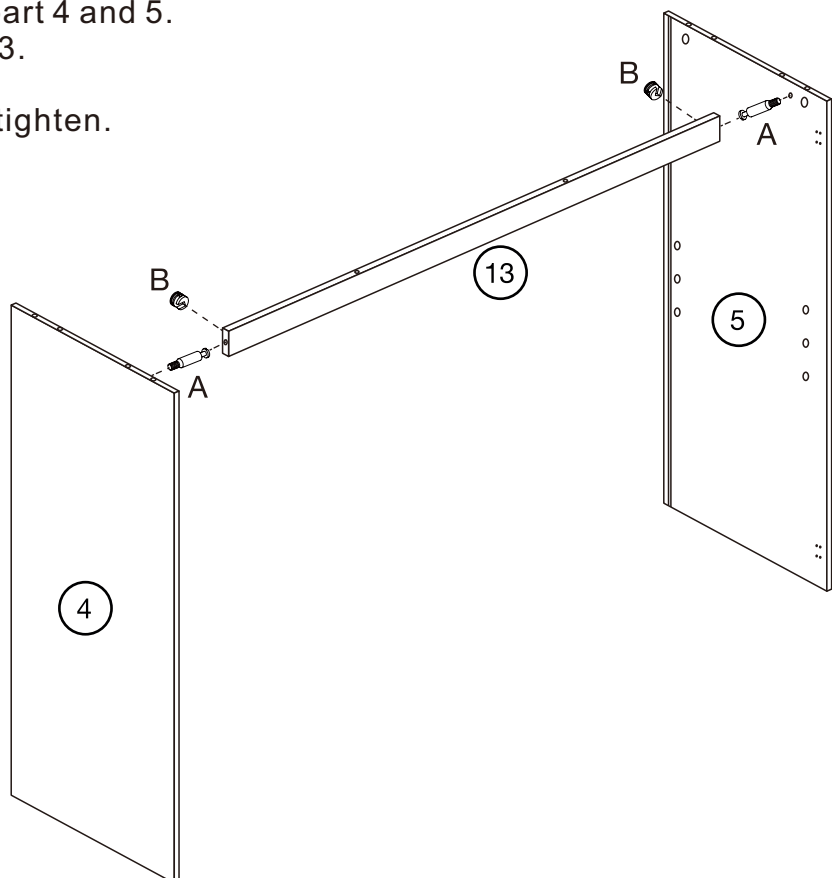


Ox2



Hx8

- 4** Insert quickfit screws (A) to part 4 and 5.
Insert cam locks (B) to part 13.
Fit part 13 to part 4 and 5.
Turn cam locks clockwise to tighten.

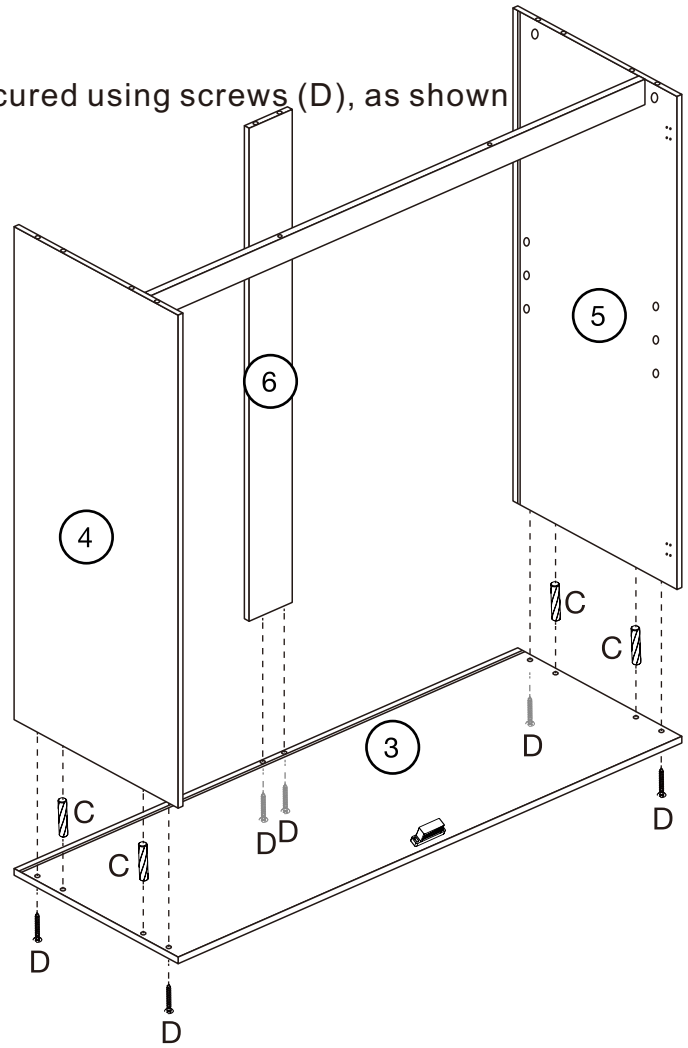


Ax2



Bx2

- 5** Fix part 6 to part 3 using screws (D).
Insert wooden dowels (C) to part 3.
Fit assembled part 4 and 5 to part 3, secured using screws (D), as shown

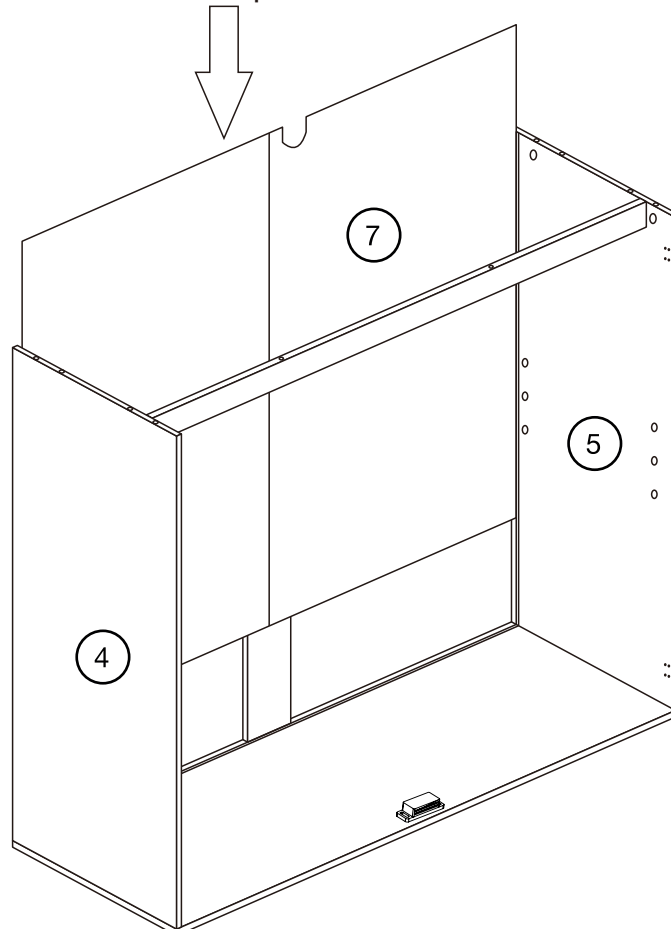


Cx4

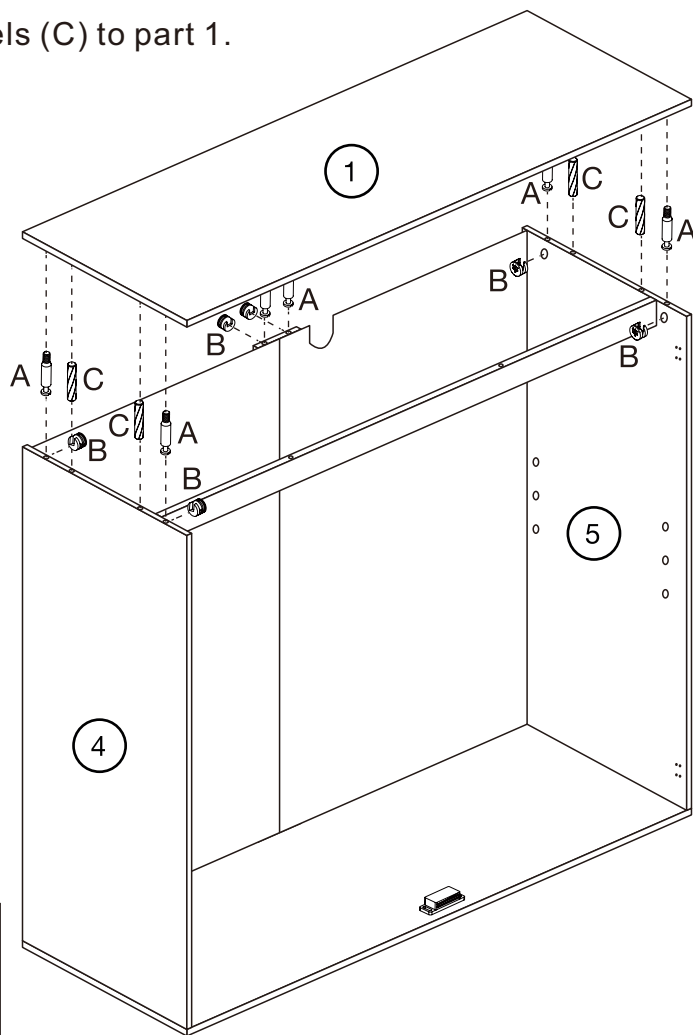


Dx6

- 6** Slide part 7 into grooves between part 4 and 5.



- 7** Insert quickfit screws (A) and wooden dowels (C) to part 1.
 Insert cam locks (B) to part 4, 5 and 6.
 Fit part 1 to assembled parts.
 Turn cam locks clockwise to tighten.



Ax6

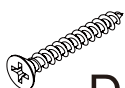
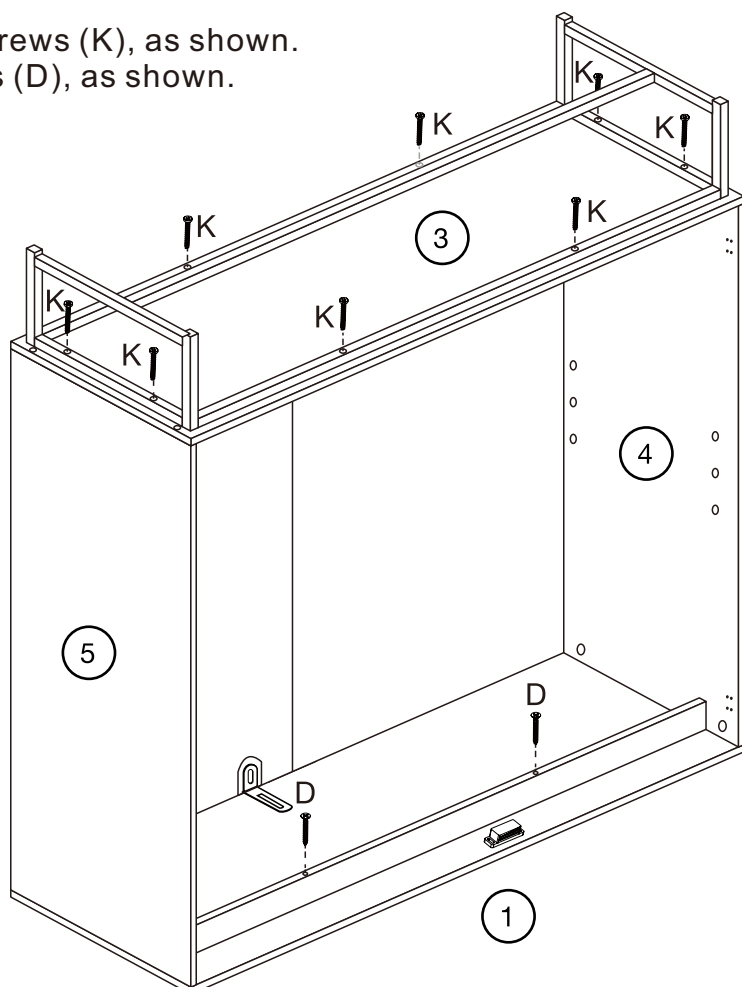


Bx6

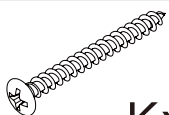


Cx4

- 8** Fix assembled feet to part 3 using screws (K), as shown.
 Secure part 13 to part 1 using screws (D), as shown.

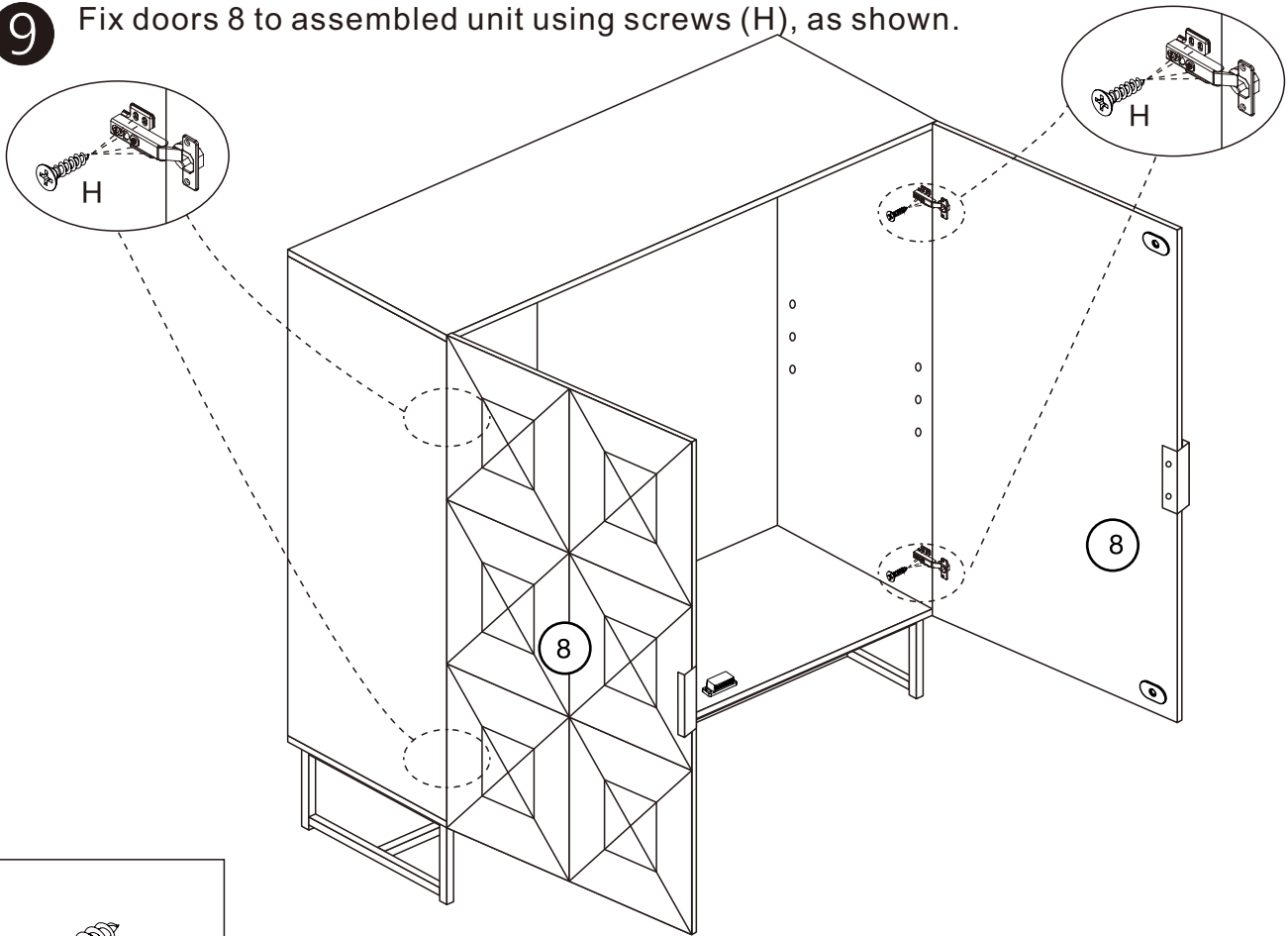


Dx2



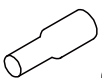
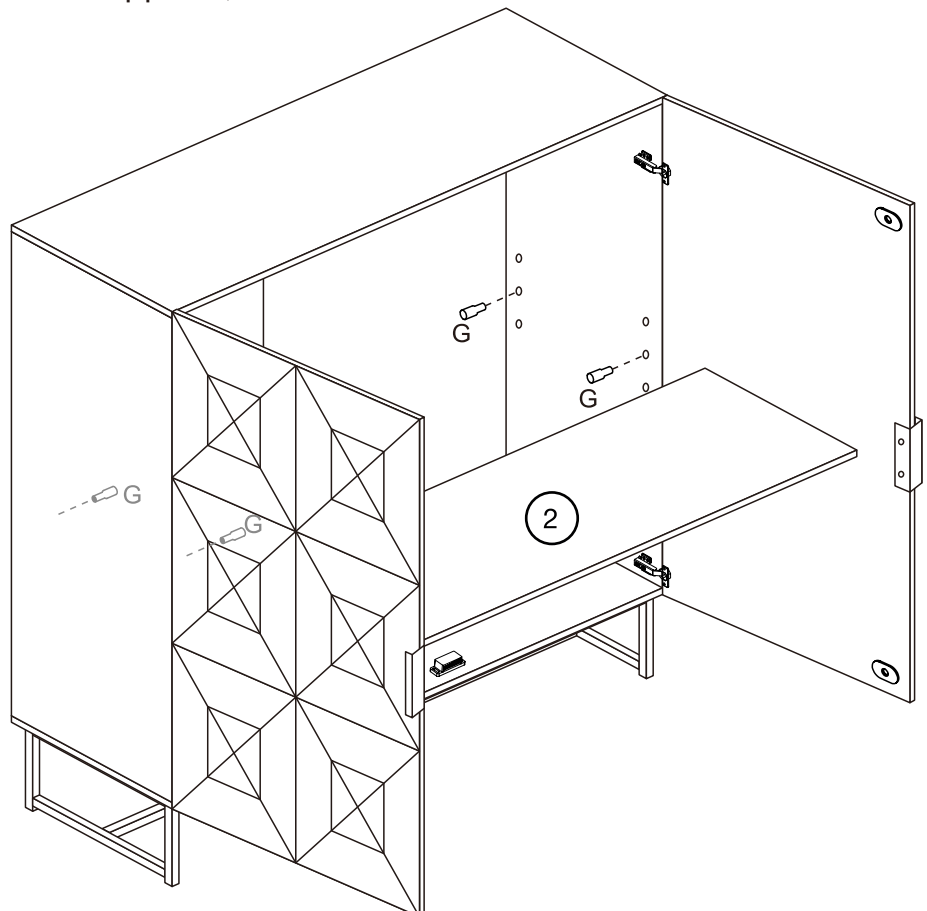
Kx8

9 Fix doors 8 to assembled unit using screws (H), as shown.



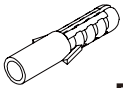
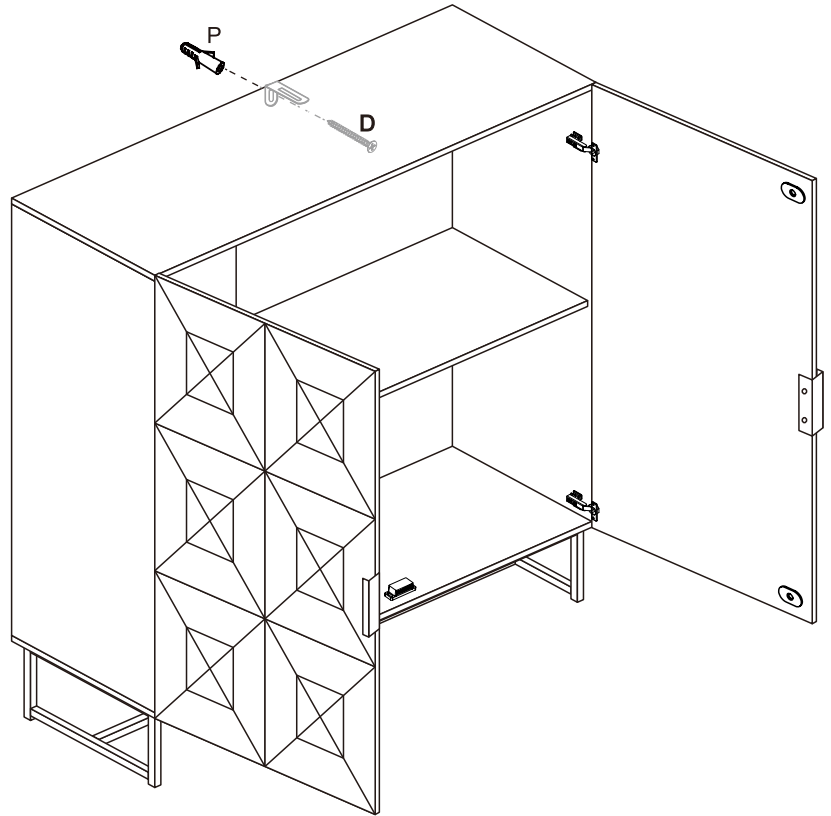
Hx16

10 Fit shelf supports (G) into desired position in the assembled unit. Place shelf 2 on top of shel supports, as shown.



Gx4

11 For extra stability, it is recommended that you fix your cabinet to the wall using the additional hardware (P and D), as shown. Should you choose not to affix the product to the wall, serious injury may be caused if the product tips over.



Px1



Dx1

12

