

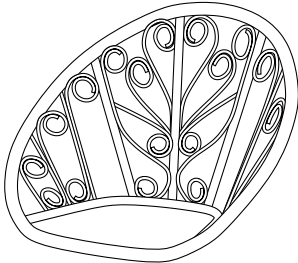
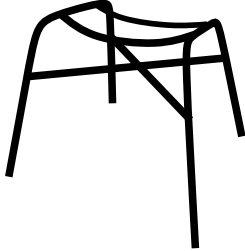



BAXTON
STUDIO AFFORDABLE
 MODERN
 FURNITURE

ASSEMBLE INSTRUCTION

RMC034

Please read instructions carefully. See Hardware and Furniture Parts List for guidance. Be sure you have all parts before you start assembling. Place all furniture parts on a clean and flat soft surface, such as carpet or a rug to prevent from being scratched.

	Part List	Hardware List
 <p>RATTAN SEATER (1pc)</p>	 <p>METAL LEGS (1pc)</p>	 <p>Screw (6pcs)</p>

FOR ASSEMBLY

- Sort out the parts and fittings as shown. Assemble product step by step.
- Do not overtighten screws and fittings.
- Re-tighten all screws and fittings periodically.

STEP 1	STEP 2	COMPLETED
