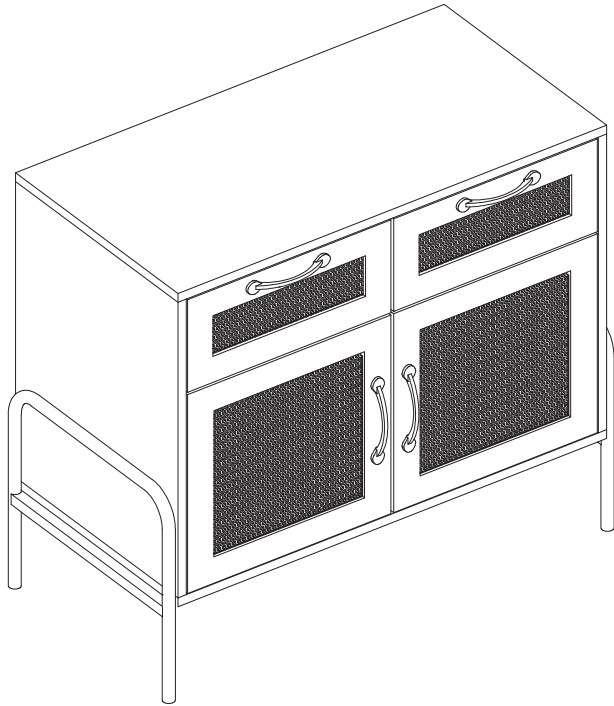
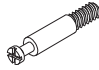

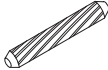





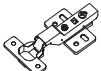







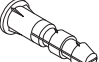




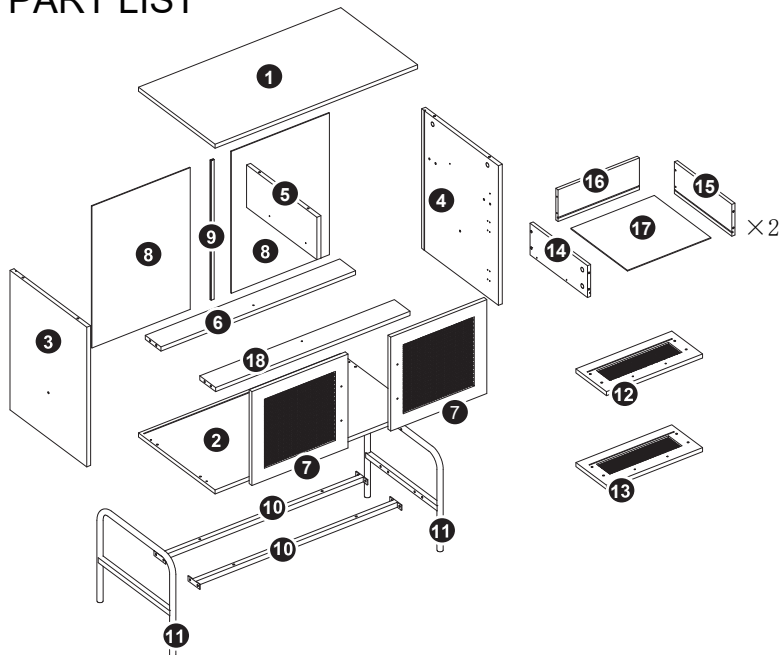
ASSEMBLY INSTRUCTION



HARDWARE LIST

						
A x 22 cam lock pin	B x 22 cam lock	C x 4 wooden dowel	D x 16 screw D3X12mm	E x 15 screw D4x35mm	F x 30 screw D3x14mm	G x 2 drawer left slider
						
H x 2 drawer right slider	I x 4 hinge	J x 8 screw D4x18mm	K x 4 handle	L x 8 screw D6x14mm	M x 6 screw D6x25mm	
						
N x 4 plastic fixer	O x 2 washer	P x 1 screw D4x14mm	Q x 1 wall anchor	R x 1 nylon strap	S x 1 magnet	

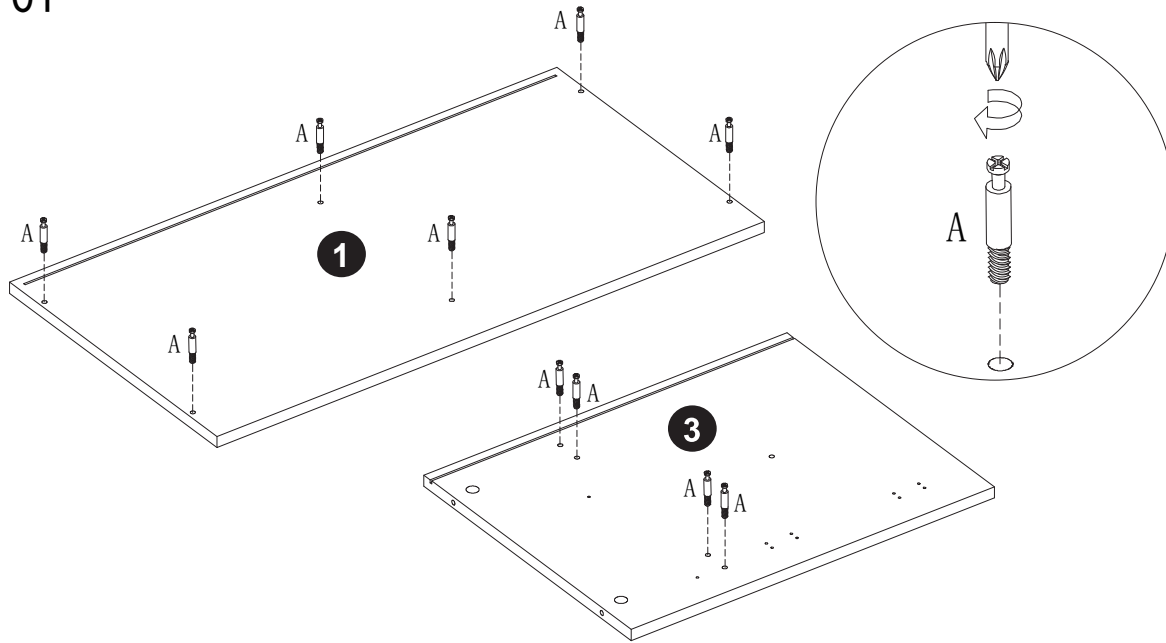
PART LIST



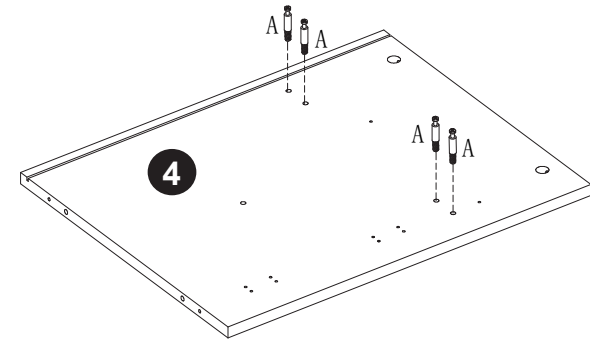
1: top panel	2: bottom panel
3: left side panel	4: right side panel
5: divider panel	6: shelf boards
7: door panels	8: back panel
9: plastic connector	10: metal tube
11: metal legs	12: left drawer front panel
13: right drawer front panel	14: drawer left panel
15: drawer right panel	16: drawer back panel
17: drawer bottom board	18: small board

Date last updated: 8-8-2021

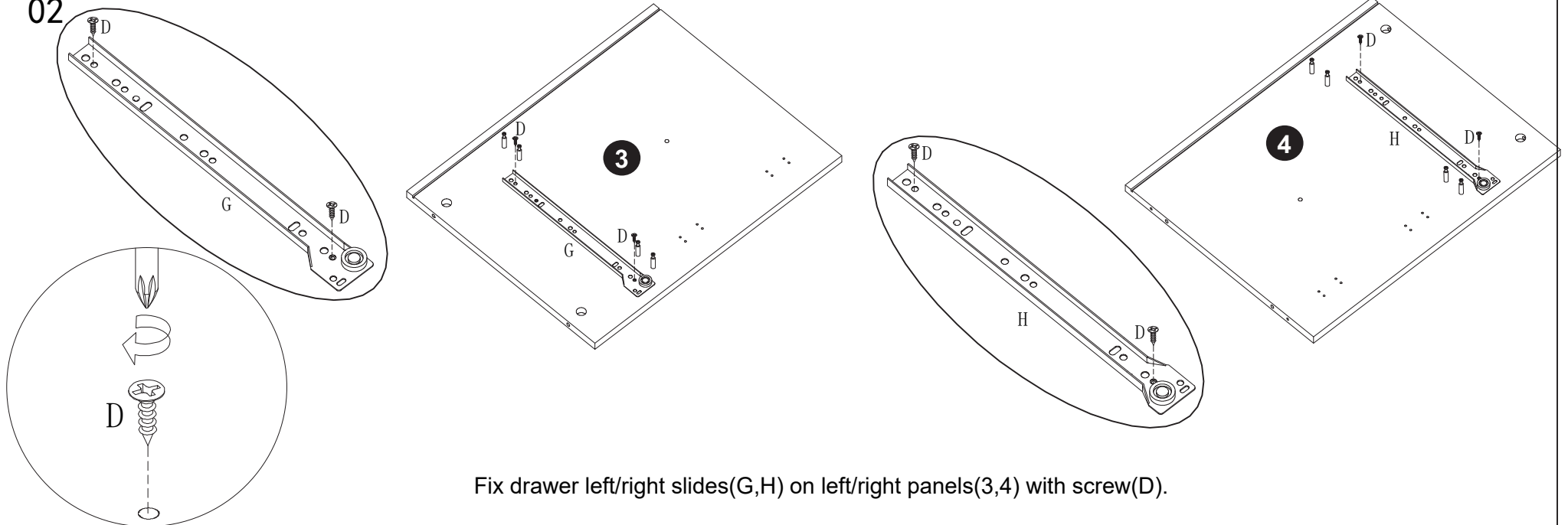
01



Screw cam lock pin(A) to top/left/right boards(1,3,4).

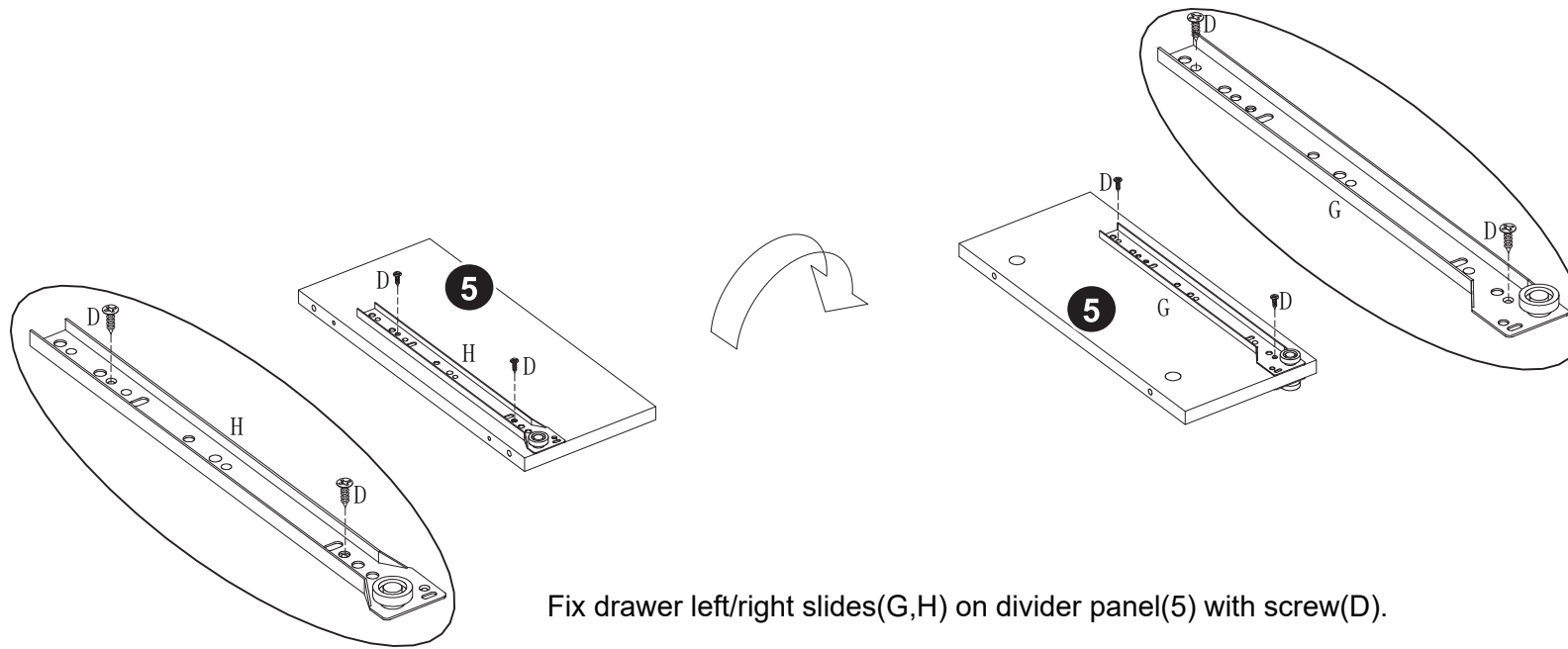


02



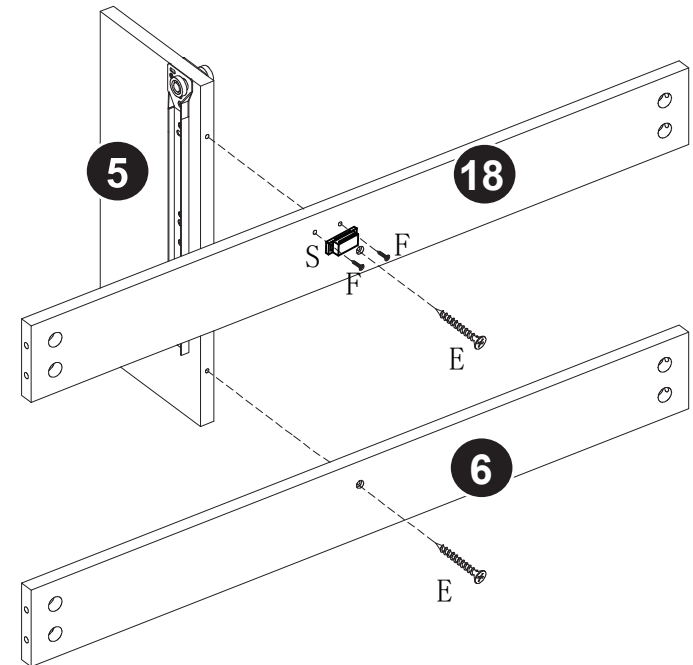
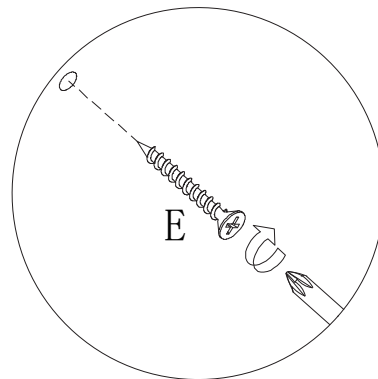
Fix drawer left/right slides(G,H) on left/right panels(3,4) with screw(D).

03



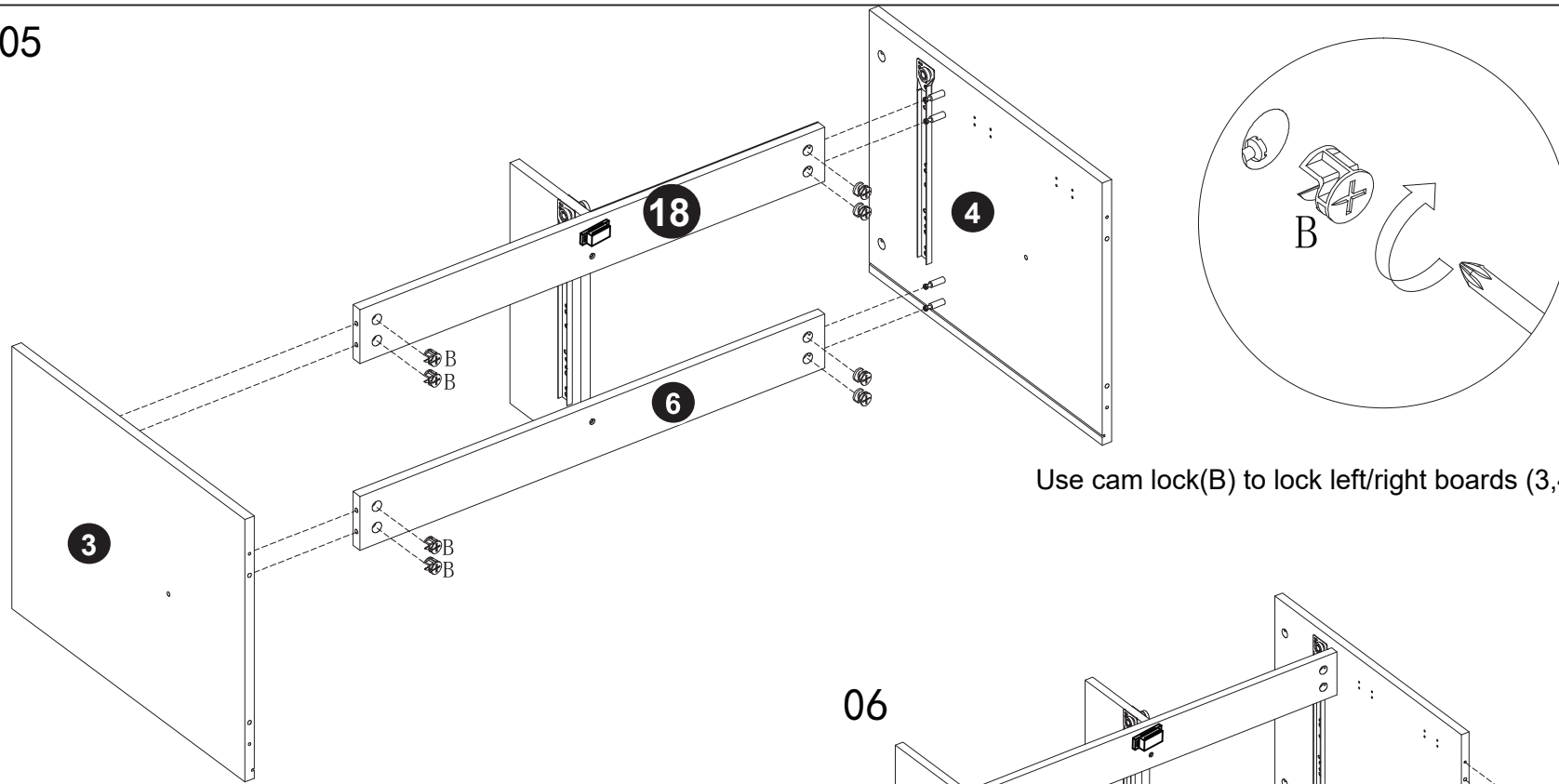
Fix drawer left/right slides(G,H) on divider panel(5) with screw(D).

04



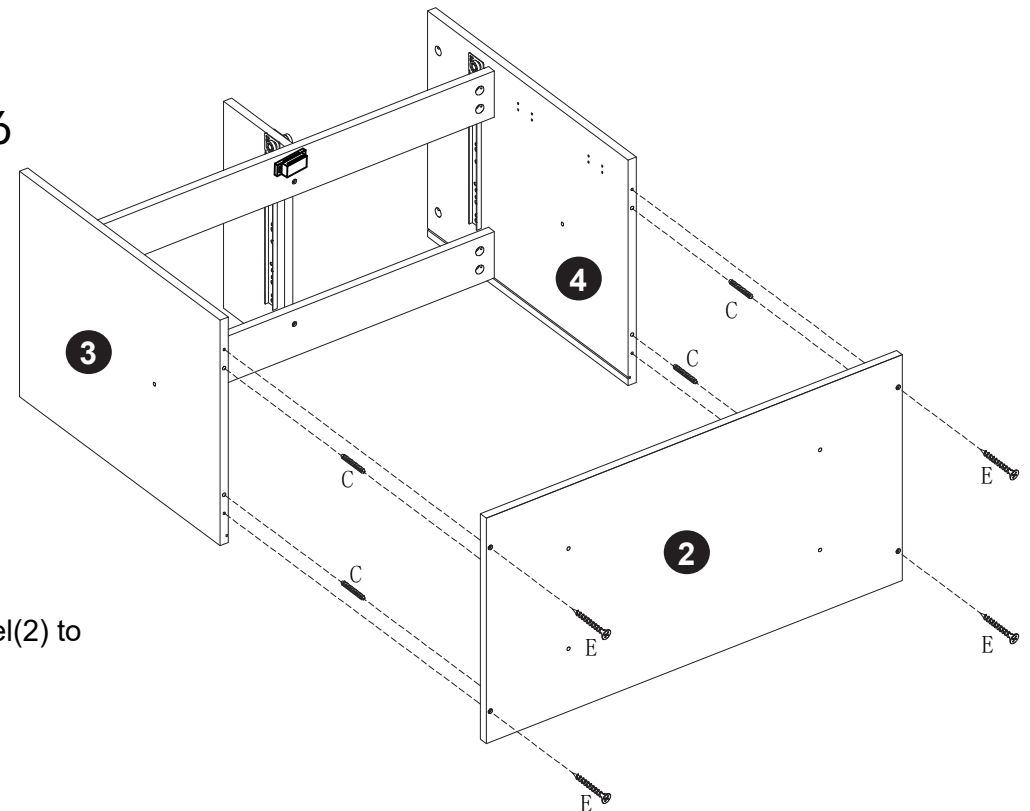
Fix magnet on board (18) with screw (F). Lock shelf board(6) to divider panel(5) with screw(E).

05



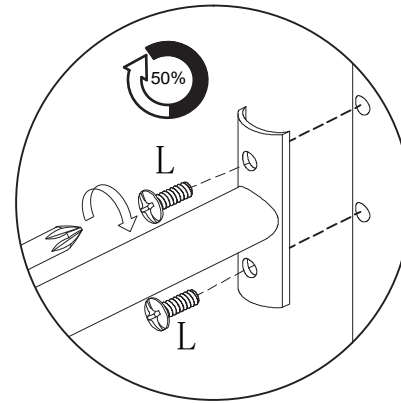
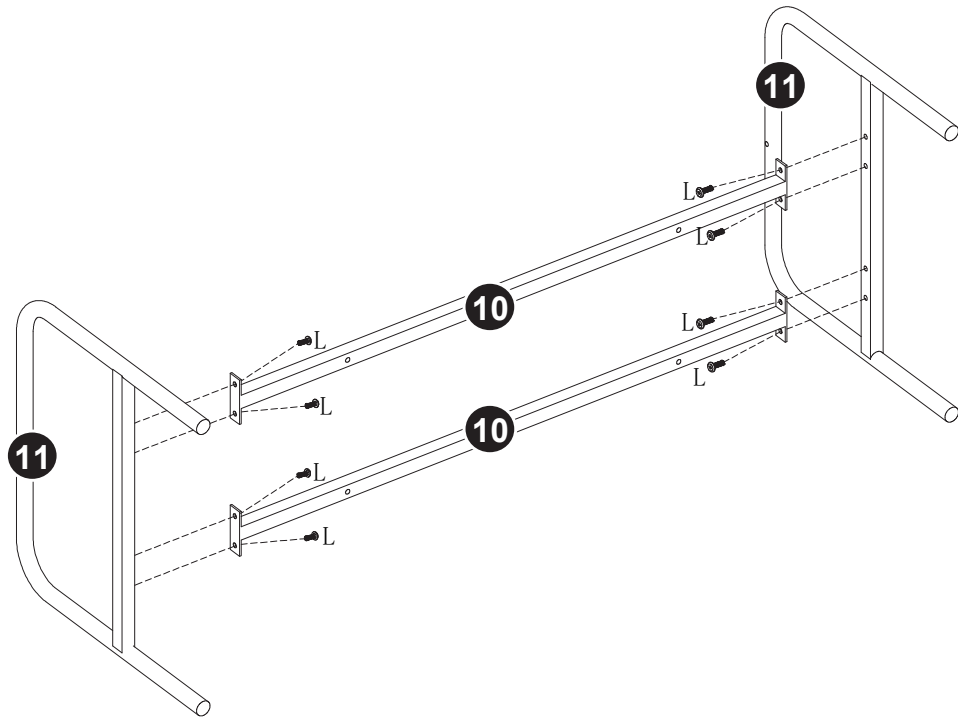
Use cam lock(B) to lock left/right boards (3,4) to shelf boards(6).

06



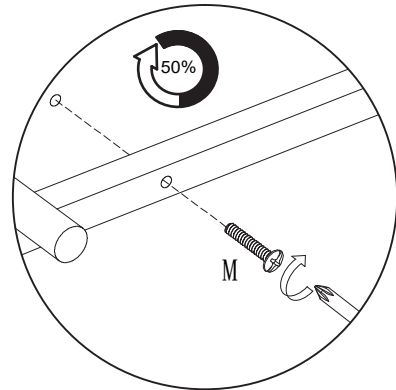
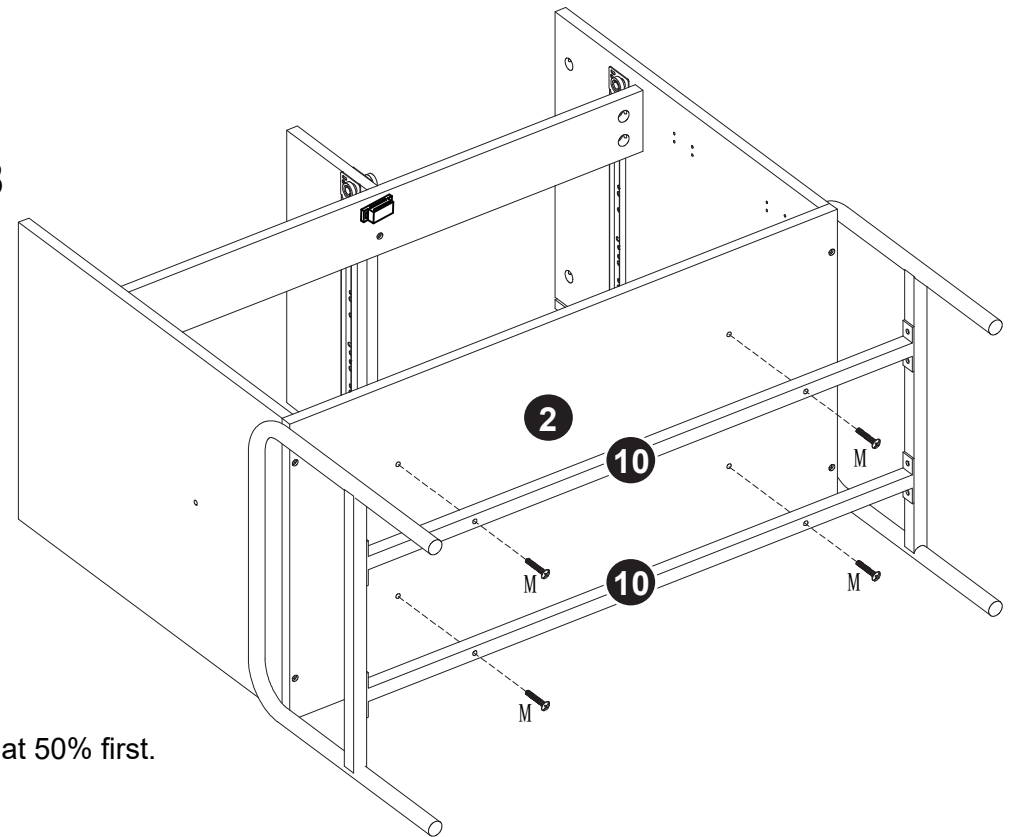
Insert wooden dowel in left/right boards(3,4), and lock bottom panel(2) to left/right board(3,4) with screw(E).

07



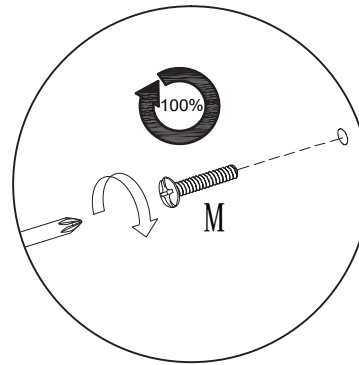
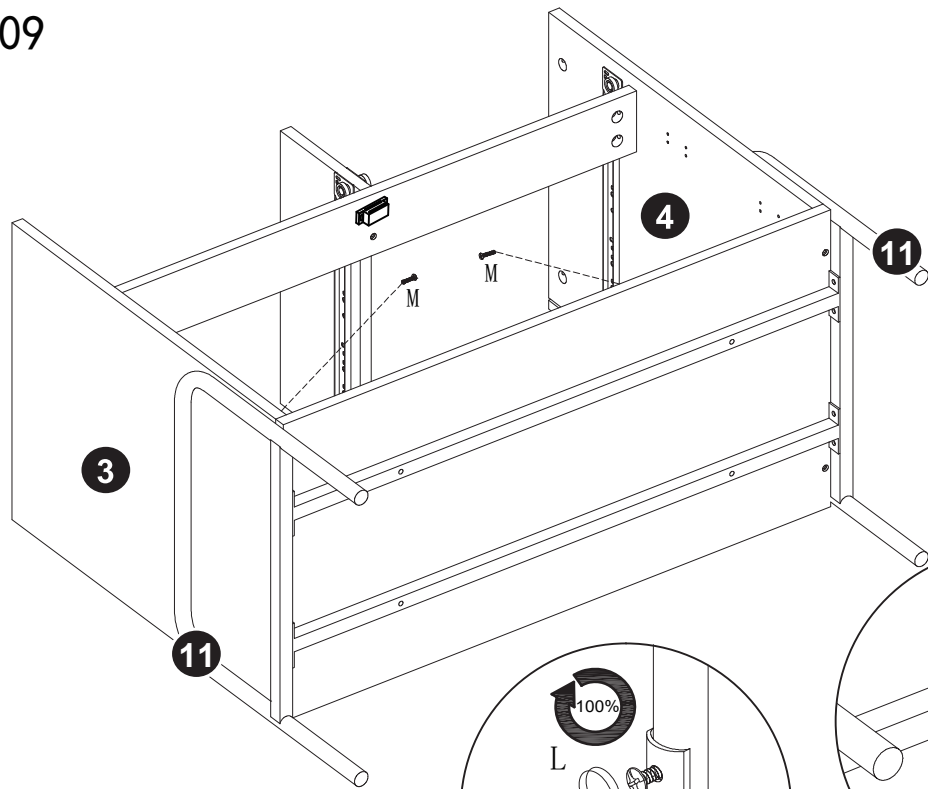
Lock metal tube(10) to metal legs(11) with screw(L) at 50% first.

08

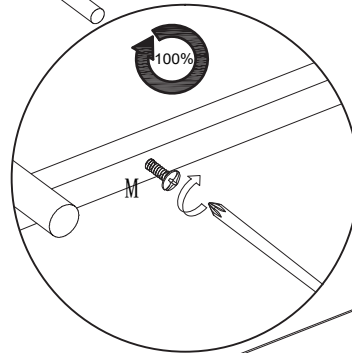
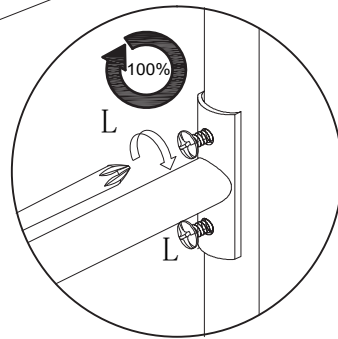


Lock metal tube(10) to bottom panel(2) with screw(M) at 50% first.

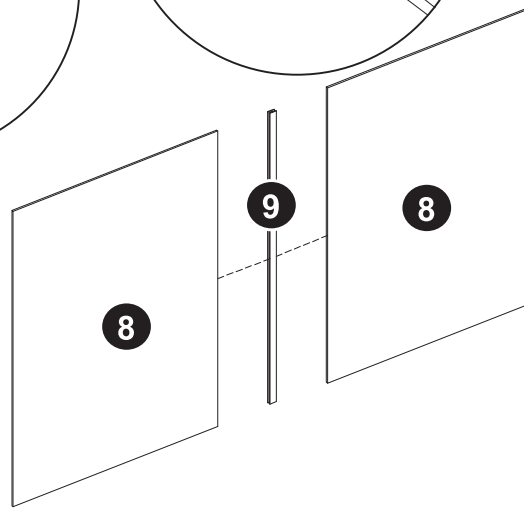
09



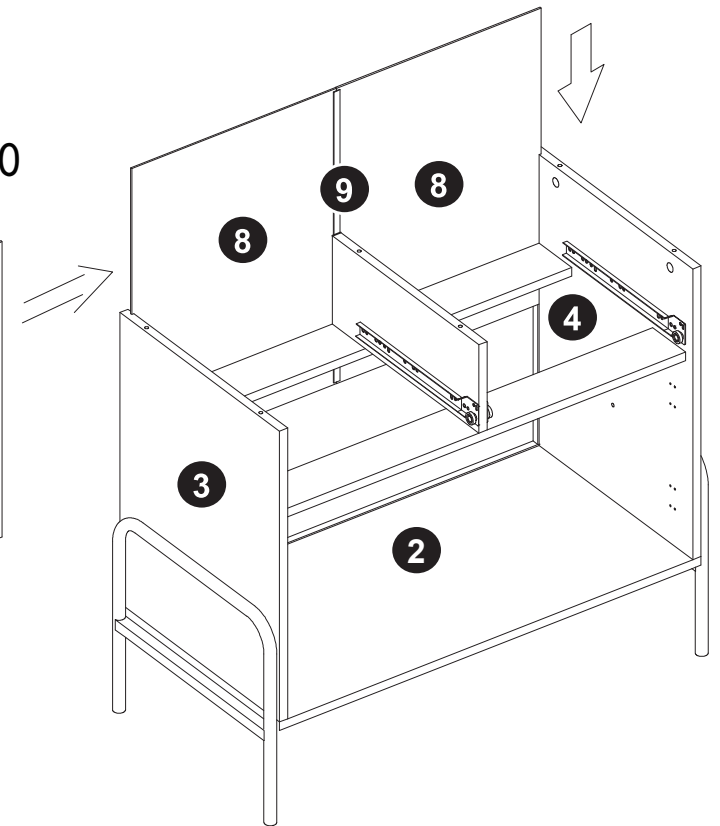
Fix metal legs(11) to left and right boards(3,4) with screw(M) at 100% tightened.



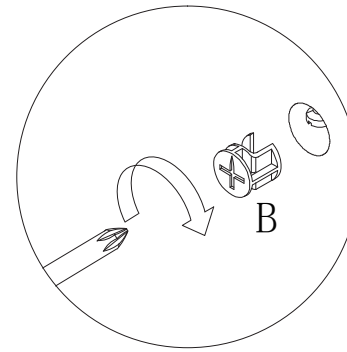
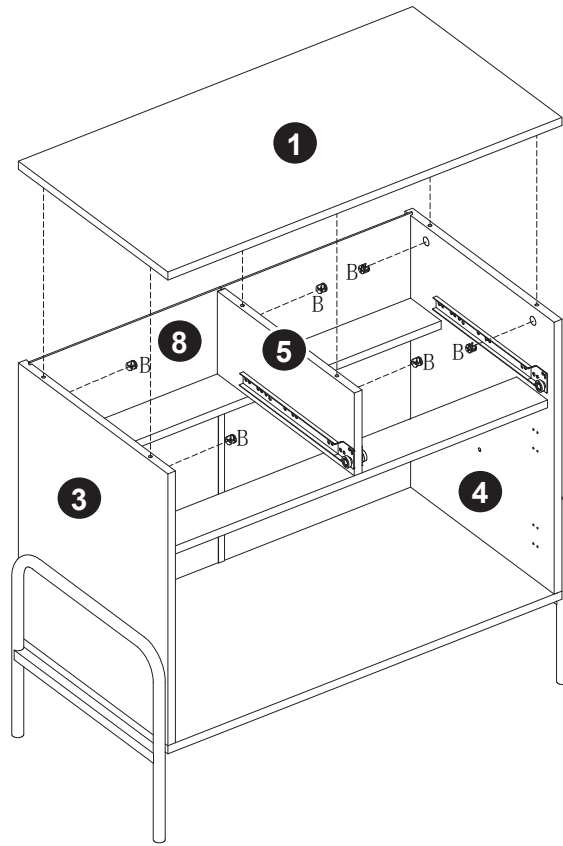
10



Insert back panels(8) and plastic connector(9).

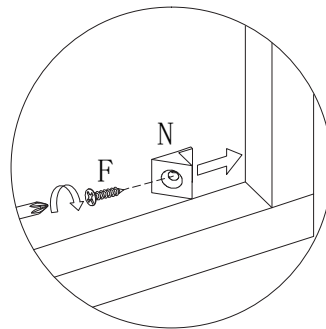
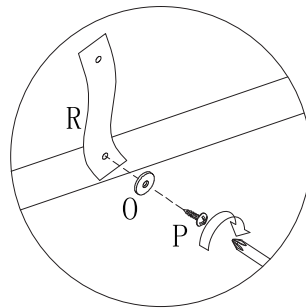


11

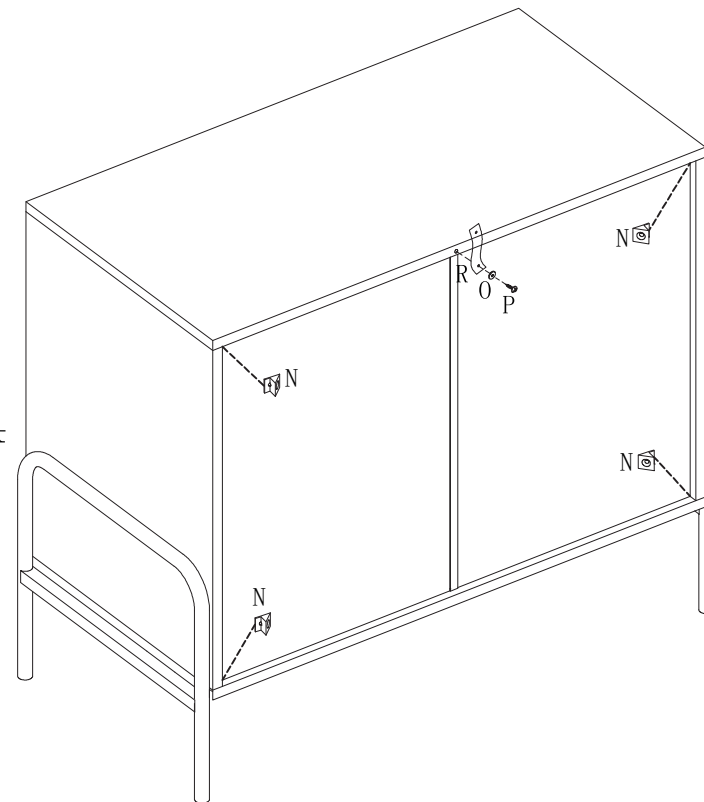


Use cam lock(B) to lock top panel(1) to left/right/divider boards(3,5,4).

12

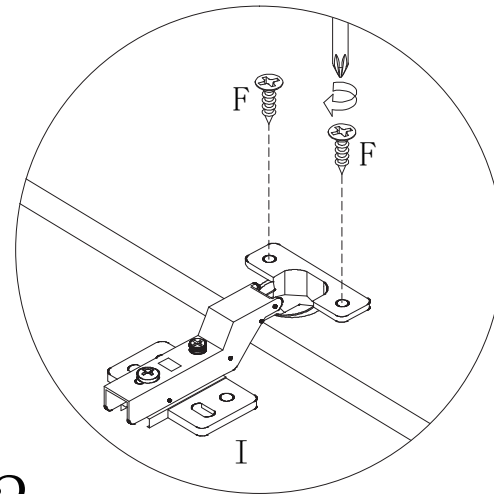
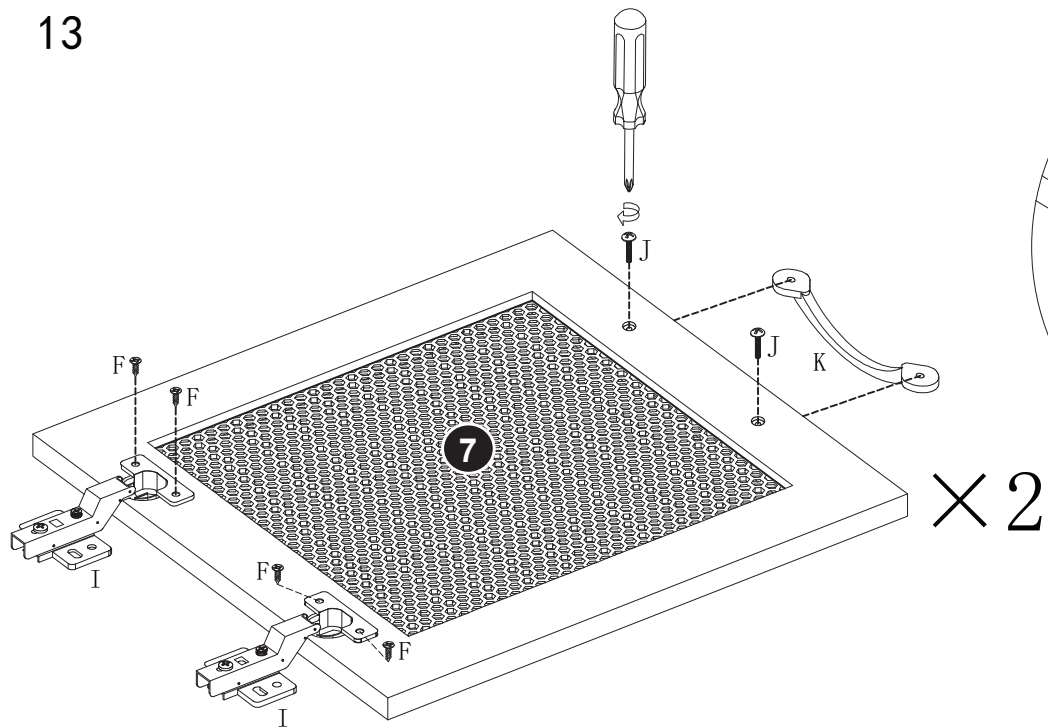


× 4



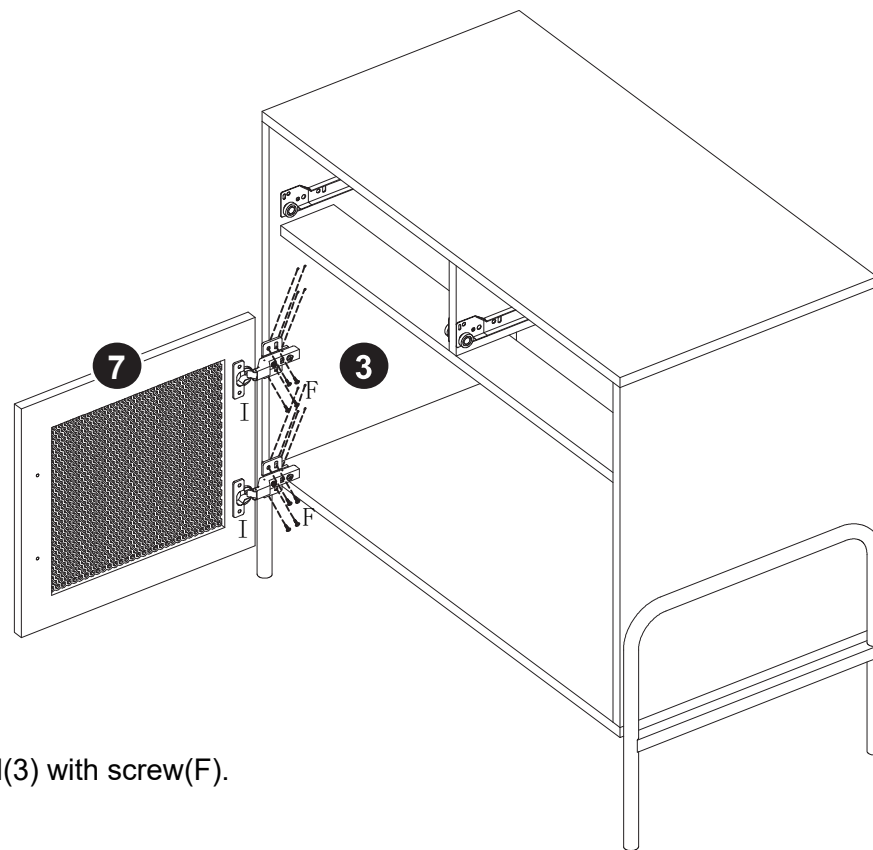
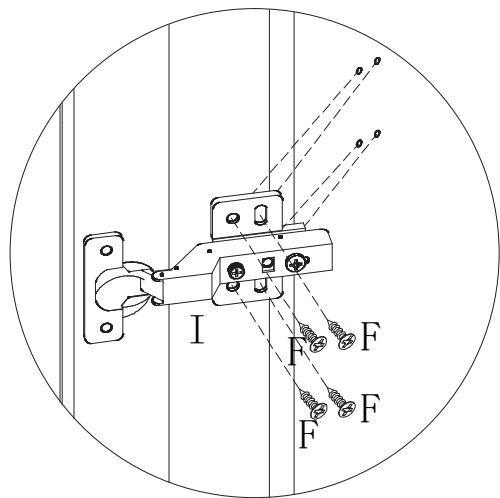
Fix nylon strap(R) on top panel(1) with screw(P) and washer(O).

13



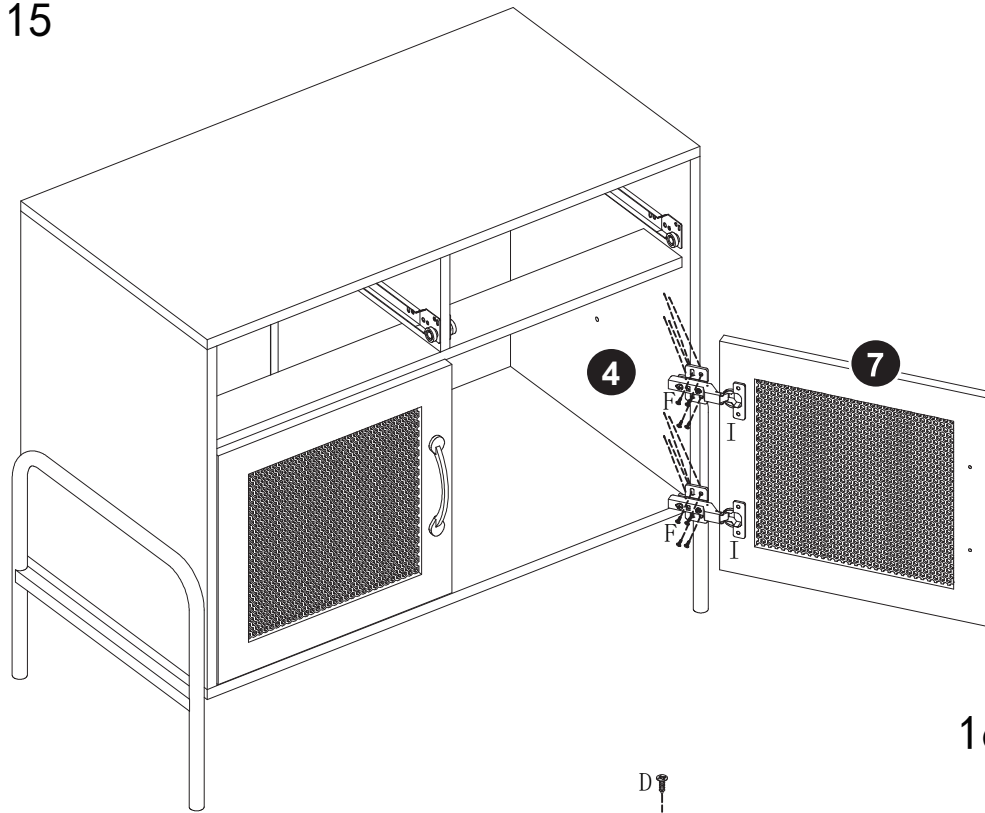
Fix hinge(I) on door panel(7) with screw(F), fix handle on door panel(7) with screw(J). Repeat for the other handle.

14



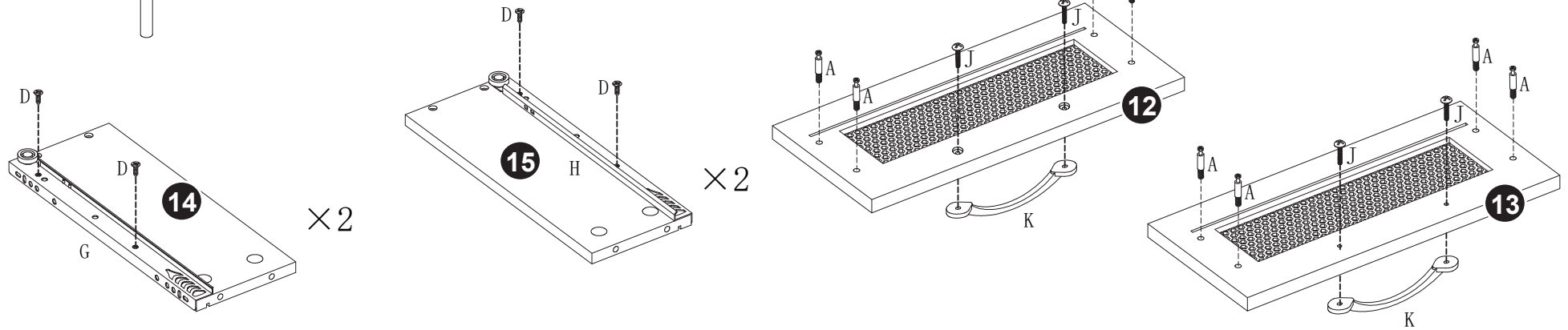
Lock door panel(7) to left side panel(3) with screw(F).

15



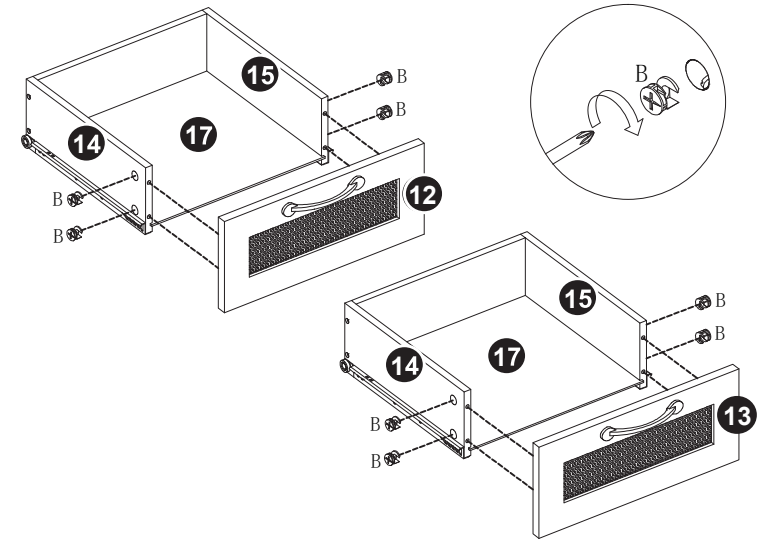
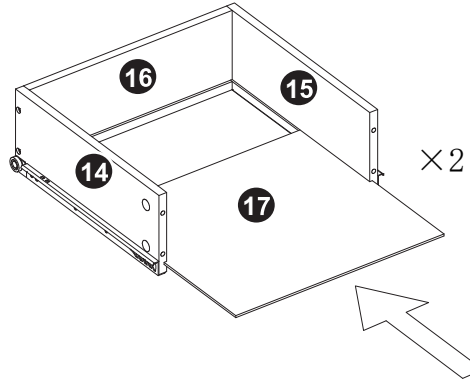
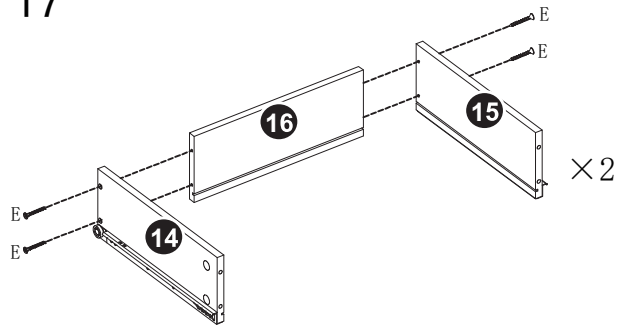
Lock door panel(7) to right side panel(4) with screw(F).

16



Lock drawer left/right slider(G、H) on drawer left/right panels(14、15) with screw(D). Lock cam lock pin(A) on left drawer front panel(12), and lock handle(K) on left drawer front panel(12) with screw(J), repeat same for right drawer front panel(13).

17

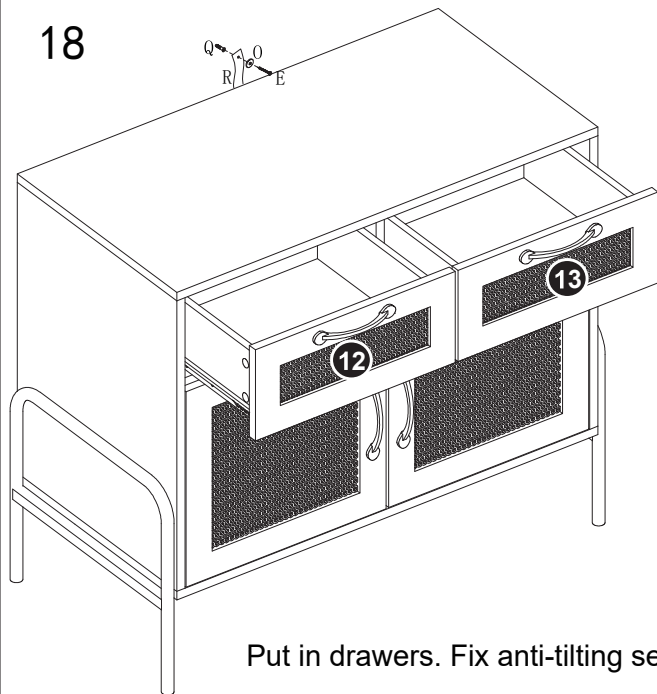


Lock drawer left/right panel(14,15) on drawer back panel(16) with screw(E), repeat.

Insert drawer bottom board(17), repeat.

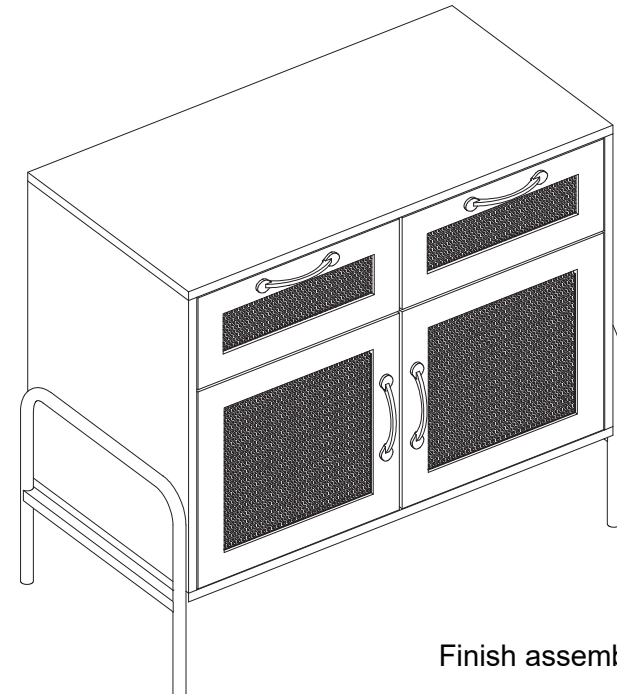
Use cam lock(B) to lock left/right drawer front panel(12,13) on drawer left/right panel(14,15).

18



Put in drawers. Fix anti-tilting set as shown.

19



Finish assembly.