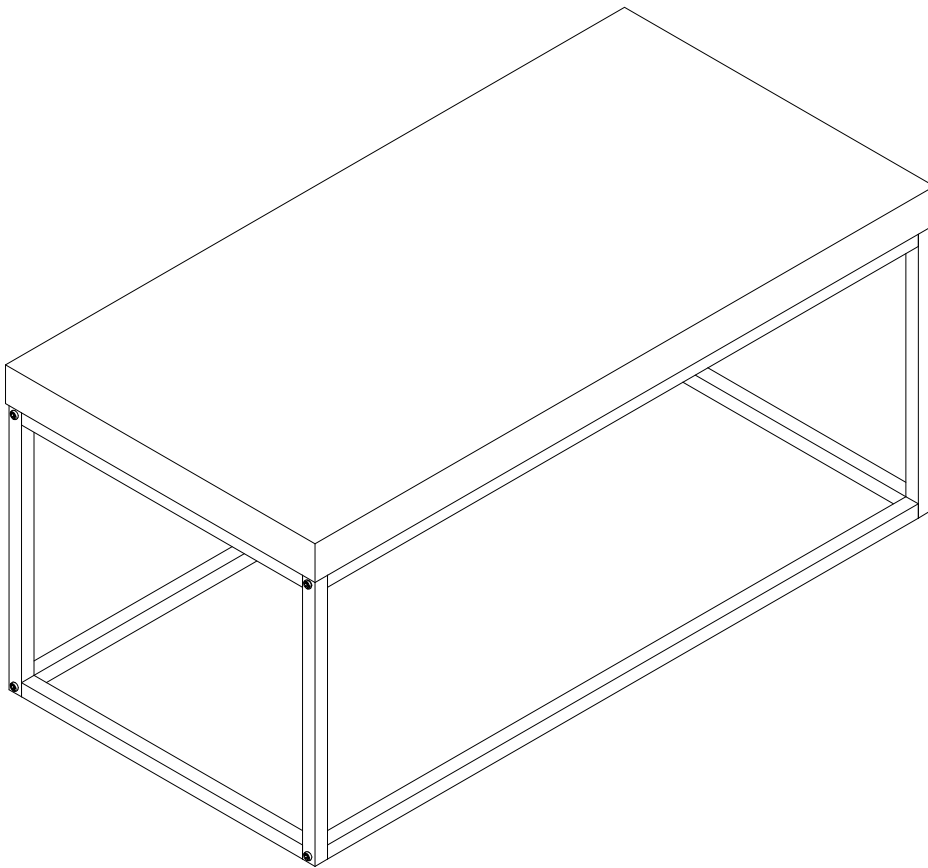
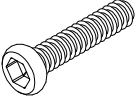
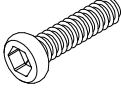



COFFEE TABLE / BENCH

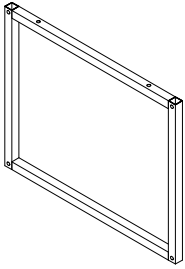


ASSEMBLY INSTRUCTION

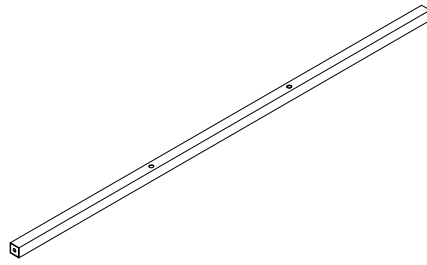
HARDWARE LIST

A		B		C	
8pcs	M6*40mm	8pcs	M6*35mm	1pc	

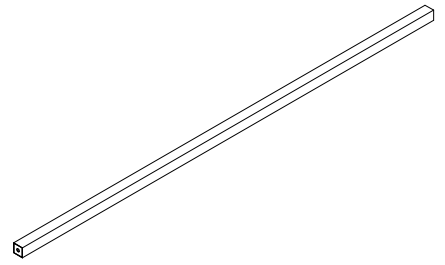
PARTS LIST



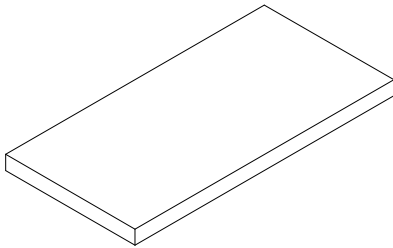
1 - 2pcs



2 - 2pcs



3 - 2pcs

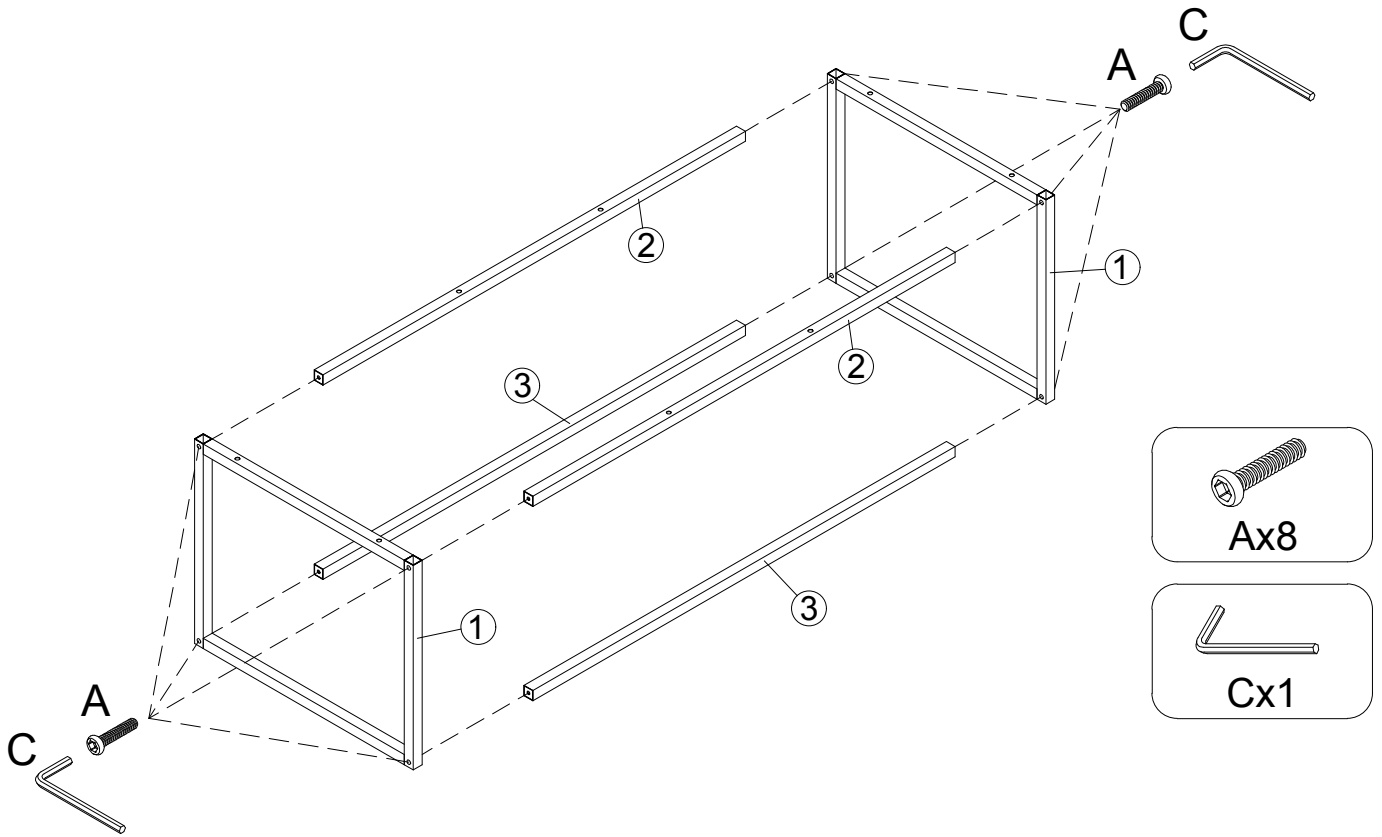


4 - 1pc

ASSEMBLY STEPS

STEP1.

Fix part 3 and 2 to part 1 using screws(A) and allen key(C). as shown.



STEP2.

Fix part 4 to part 1 and 2 using screws(B) and allen key(C). as shown.

