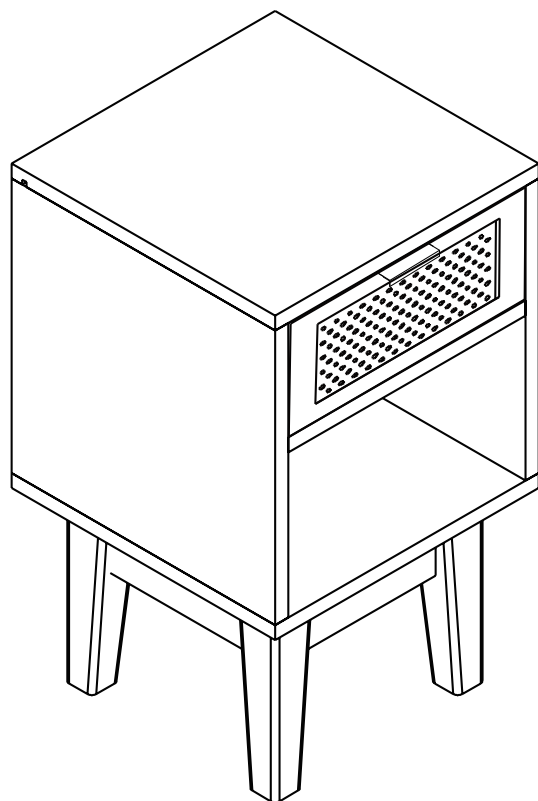
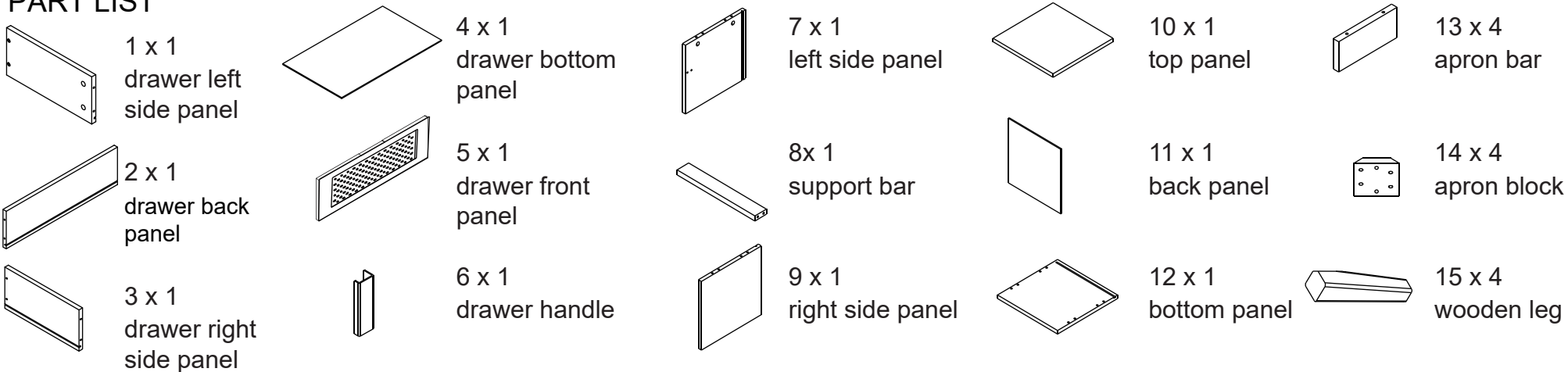
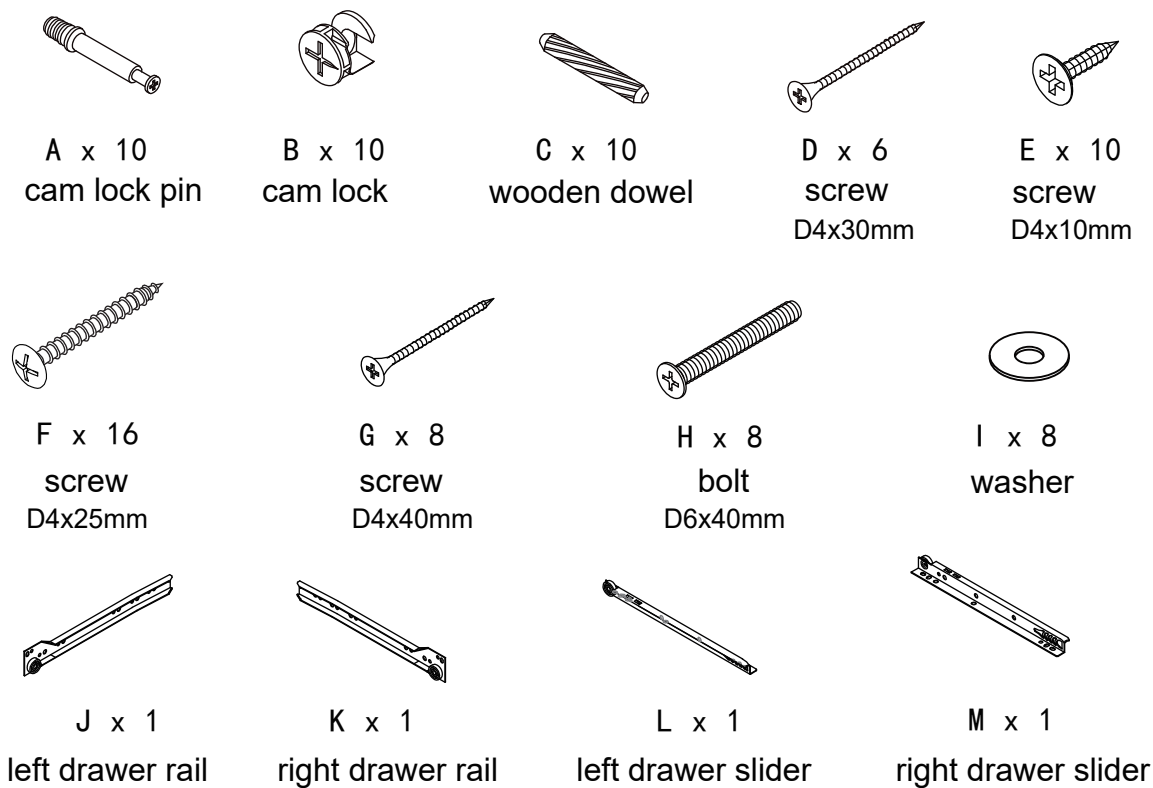


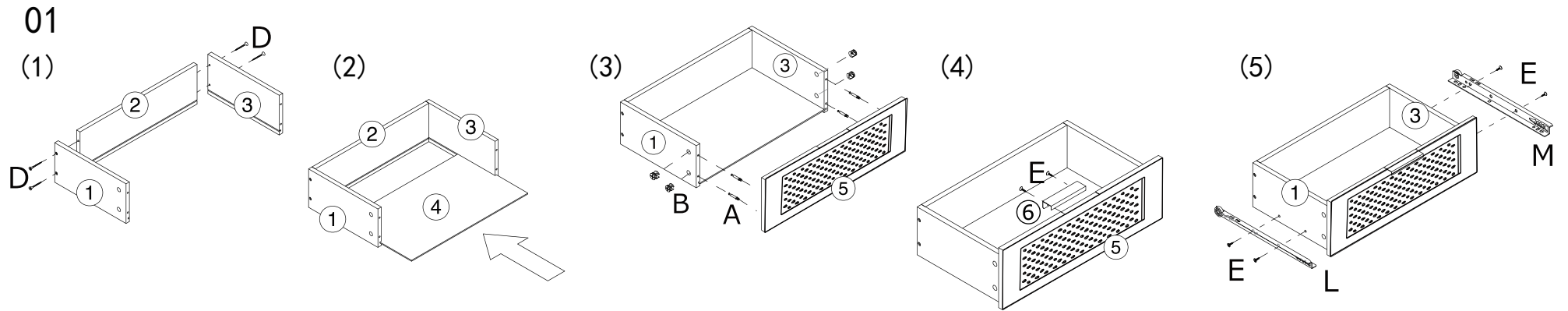
ASSEMBLY INSTRUCTION

PART LIST



HARDWARE LIST





(1):Use screw (D) to fix drawer left side panel (1) and drawer right side panel (3) with drawer back panel (2).

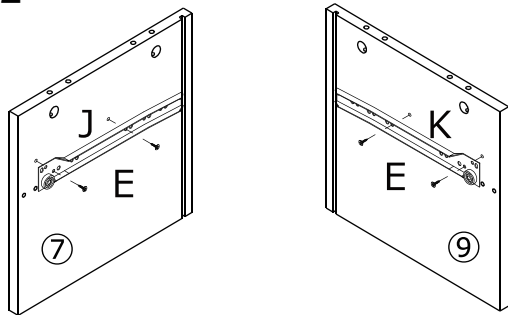
(2):Put in the bottom panel (4).

(3):Lock cam lock pin (A) on drawer left side panel (1), and drawer right side panel (3)with 4 cam lock (B).

(4):Use 2 screws (E) to lock door handle (6) on drawer panel (5).

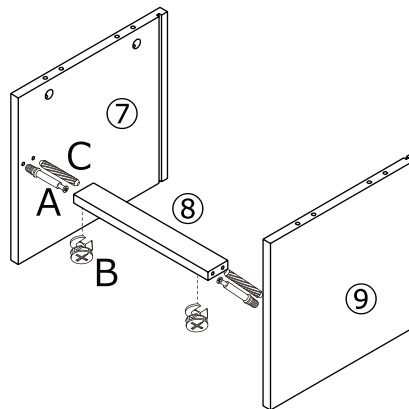
(5):Lock left drawer slider (L) / right drawer slider (M) on drawer left side panel (1) and drawer right side panel (3) with 4 screw (E).

02



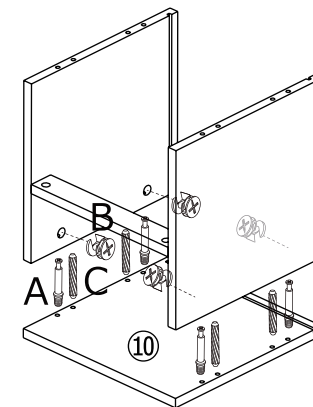
Lock left drawer rail (J) to left side panel (7) with 2 screw (E) and right drawer rail (K) to right side panel (9) with 2 screw (E).

03



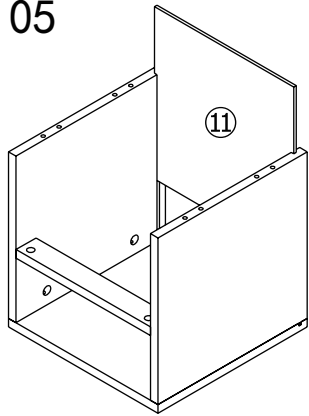
Use cam lock pin (A)/cam lock (B)/wooden dowel (C) to lock support bar (8) with left and right side panel (7,9).

04



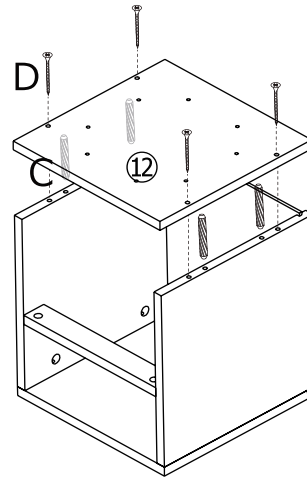
The steps are consistent with the "step 03".

05



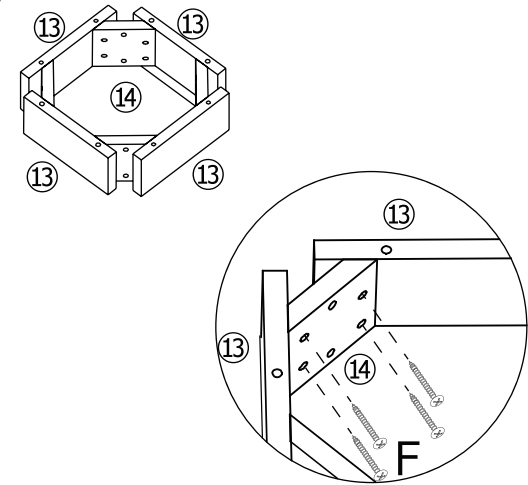
Put in the back panel (11).

07



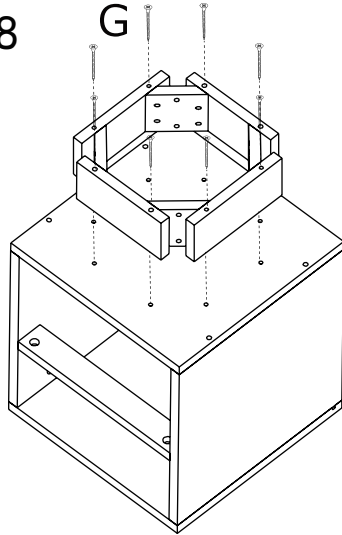
Lock bottom panel (12) on left side panel (7), right side panel (9) with 4 screw (D) and 4 wooden dowel (C).

07



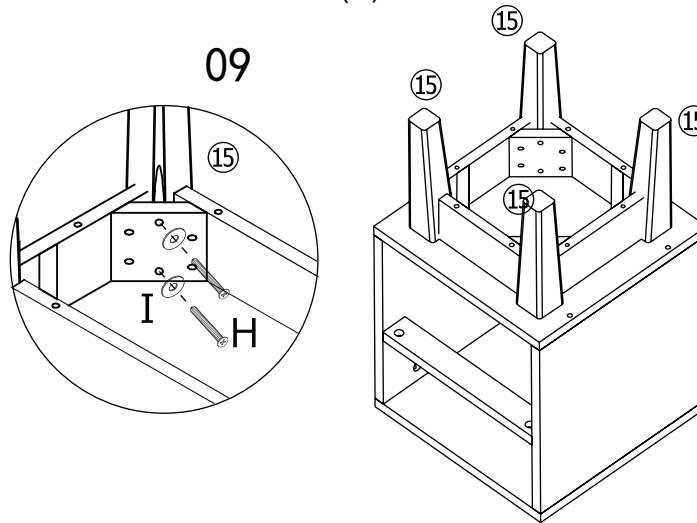
Lock apron block (14) on both apron bar (13) with 4 screw (F), repeat 4 times.

08



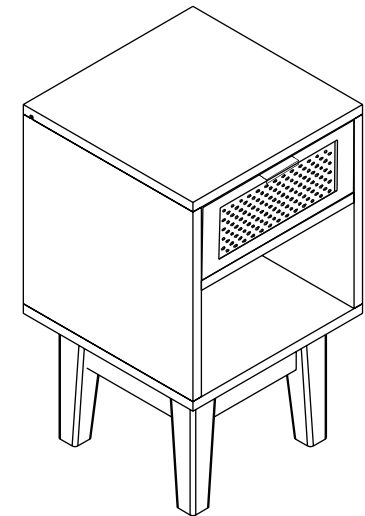
Lock "step 07" on bottom back (12) with 8 screw (G).

09



On the basis of "step 08", lock wooden leg (15) on "step 08" with 2 bolt (H) and 2 washer (I), repeat 4 times.

10



Put it in the drawer.
Finish assembly.