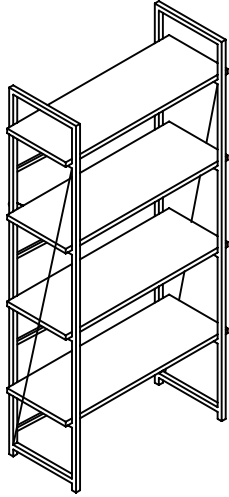
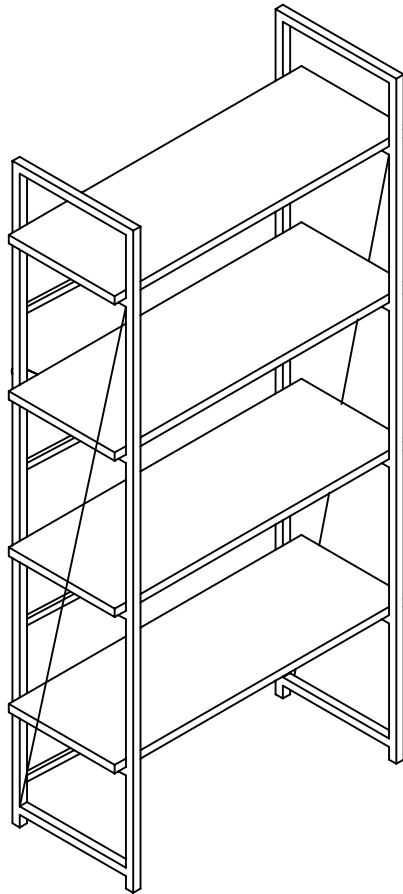


# ASSEMBLY INSTRUCTION

## PART LIST



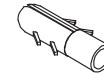
1: folding frame



## HARDWARE LIST



A x 2  
screw

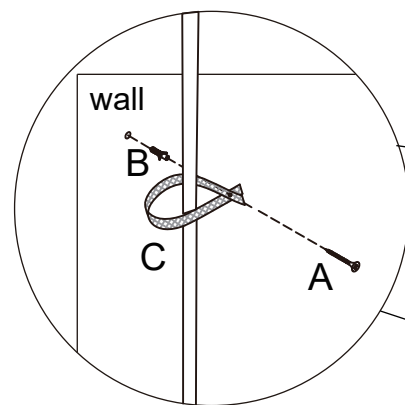


B x 2  
wall anchor

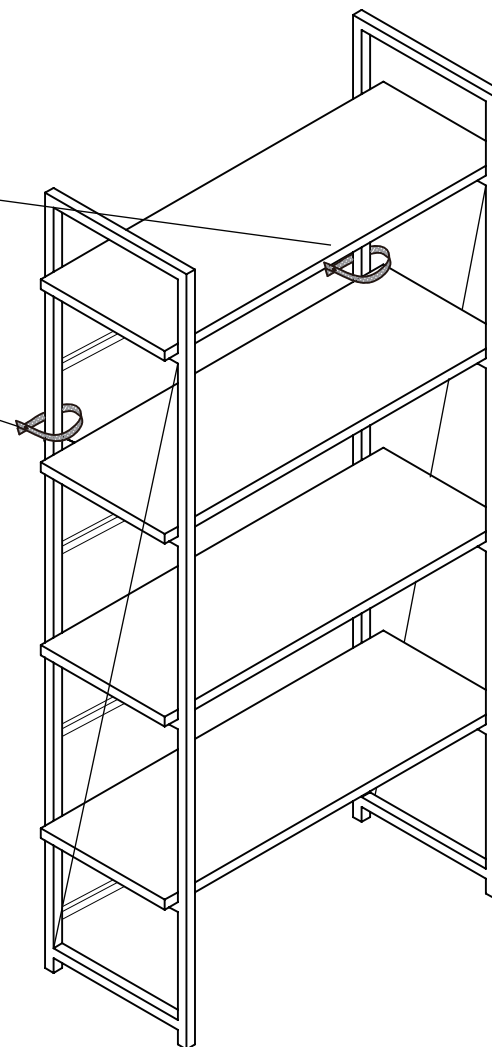


C x 2  
nylon strap

01



wall



After the folding frame (1) is opened and assembled, make a hole in the correct position on the wall, put the wall anchor (B) into the hole, wind the nylon strip (C) on the frame body, and lock the nylon strip (C) on the wall anchor (B) with the screw a through the nylon strip (C). As shown in the figure, repeat it on the left and right.