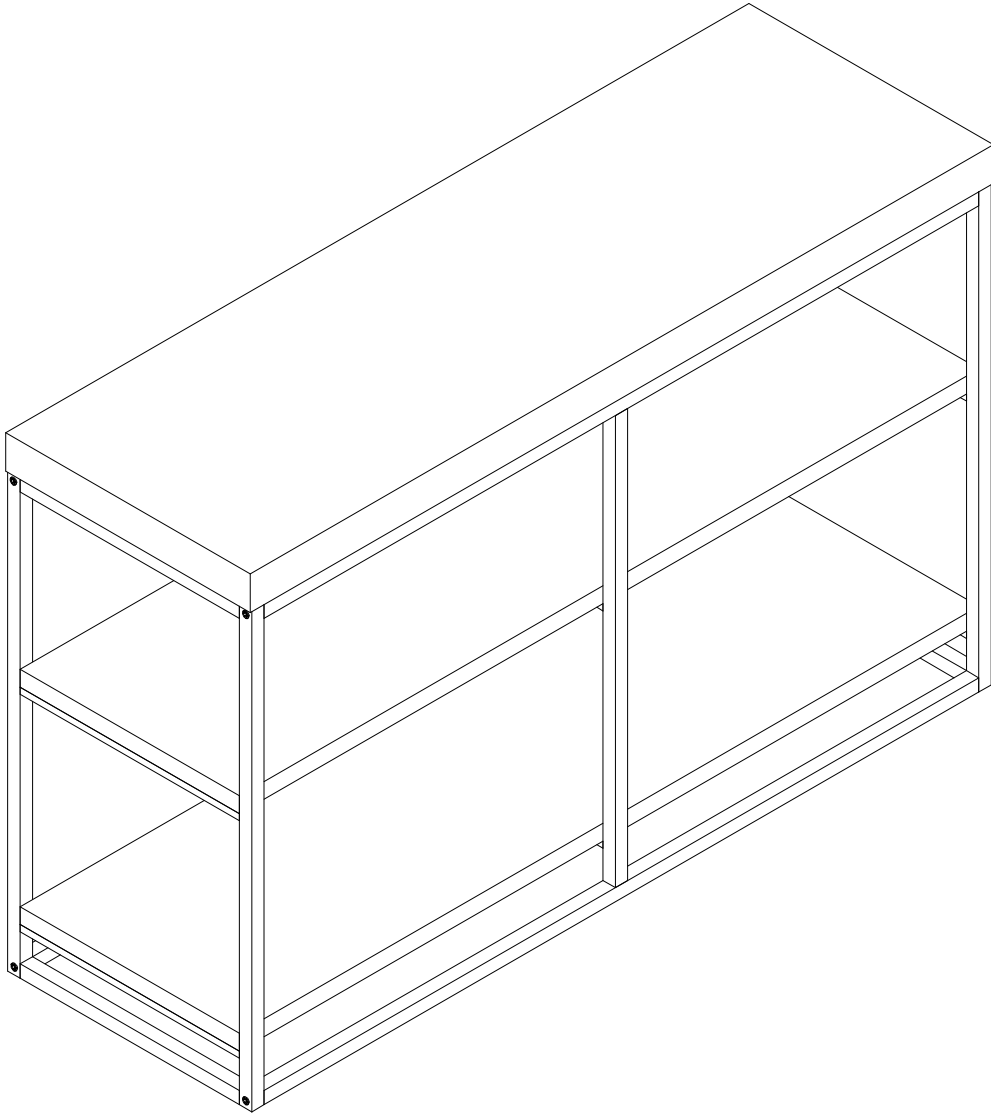
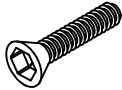
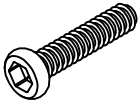

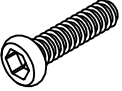





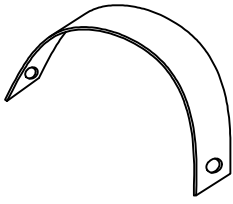


CONSOLE TABLE

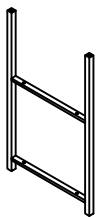


ASSEMBLY INSTRUCTION

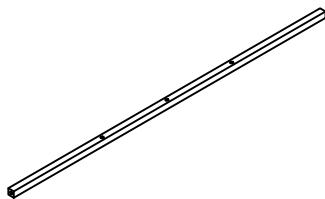
HARDWARE LIST

A		B		C	
2pcs	M6*40mm	10pcs	M6*40mm	12pcs	M6*20mm
D		E		F	
8pcs	M6*35mm	1pc		2pcs	
G		H		I	
2pcs		2pcs		2pcs	
J					
2pcs					

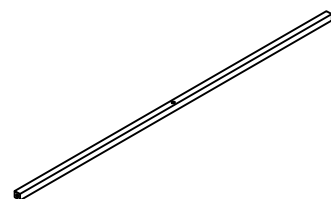
PARTS LIST



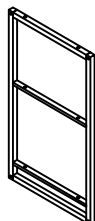
1 - 1pc



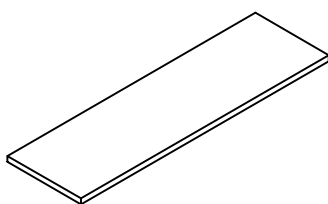
2 - 2pcs



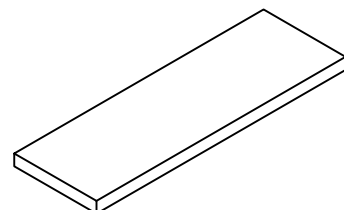
3 - 2pcs



4 - 2pcs



5 - 2pcs

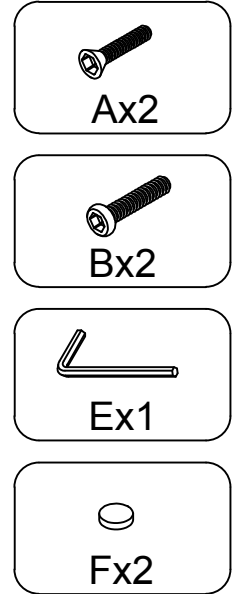
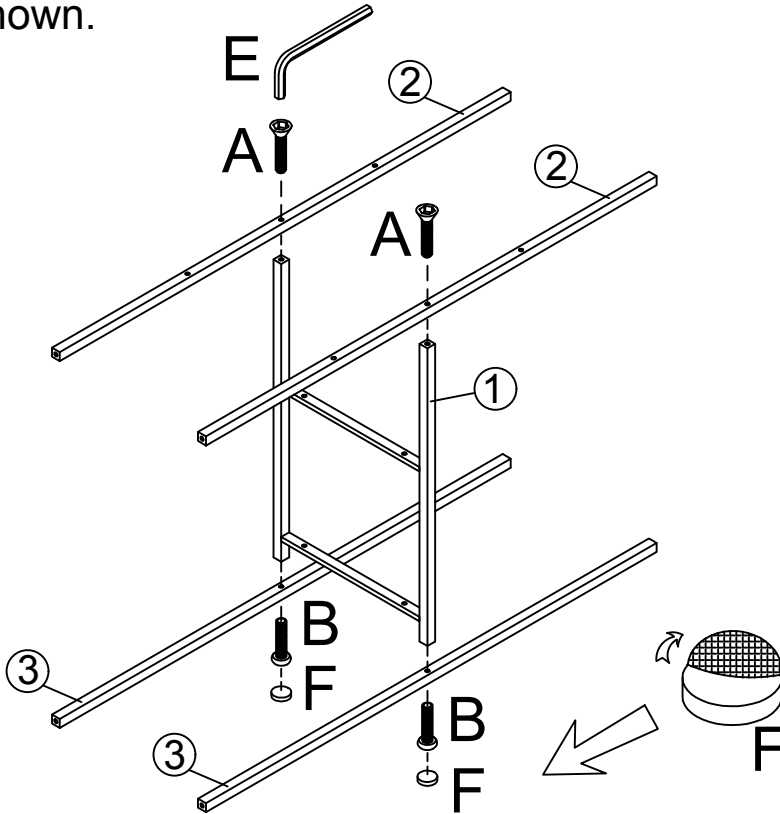


6 - 1pc

ASSEMBLY STEPS

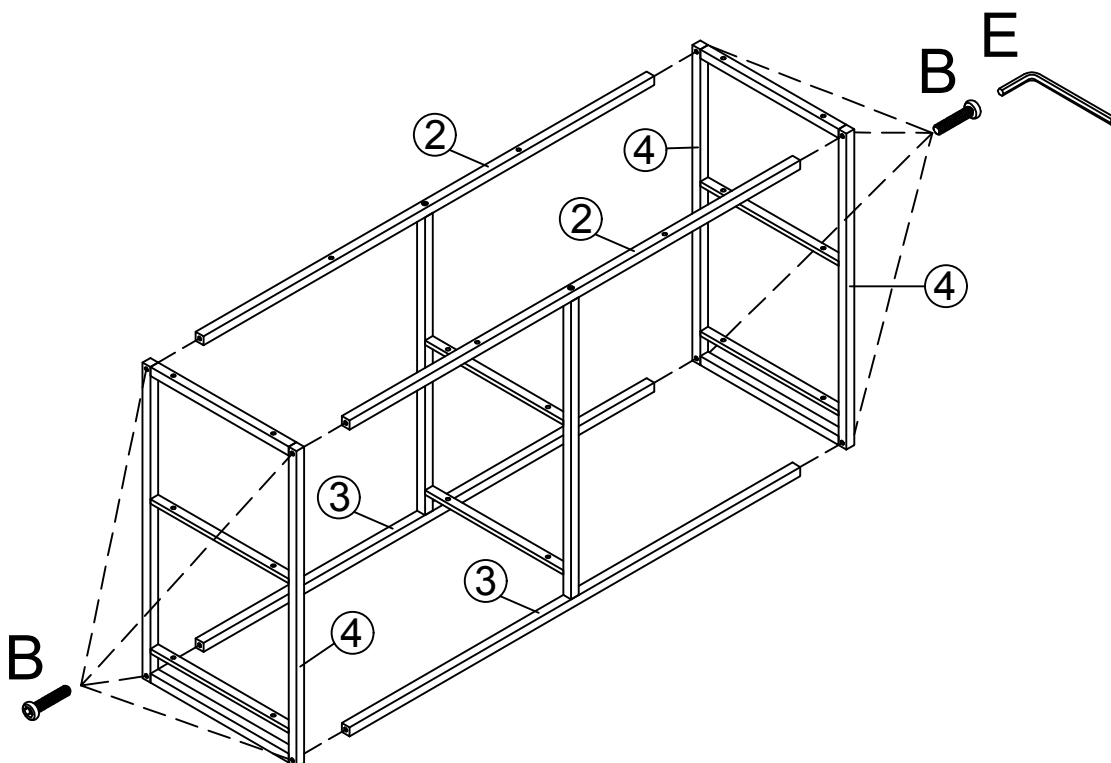
STEP 1.

Fix part 2 to part 1 using screws(A) and allen key(E). Fix part 3 to part 1 using screws(B) and allen key(E). Tear off the film of (F) and attach (F) to (B), as shown.



STEP 2.

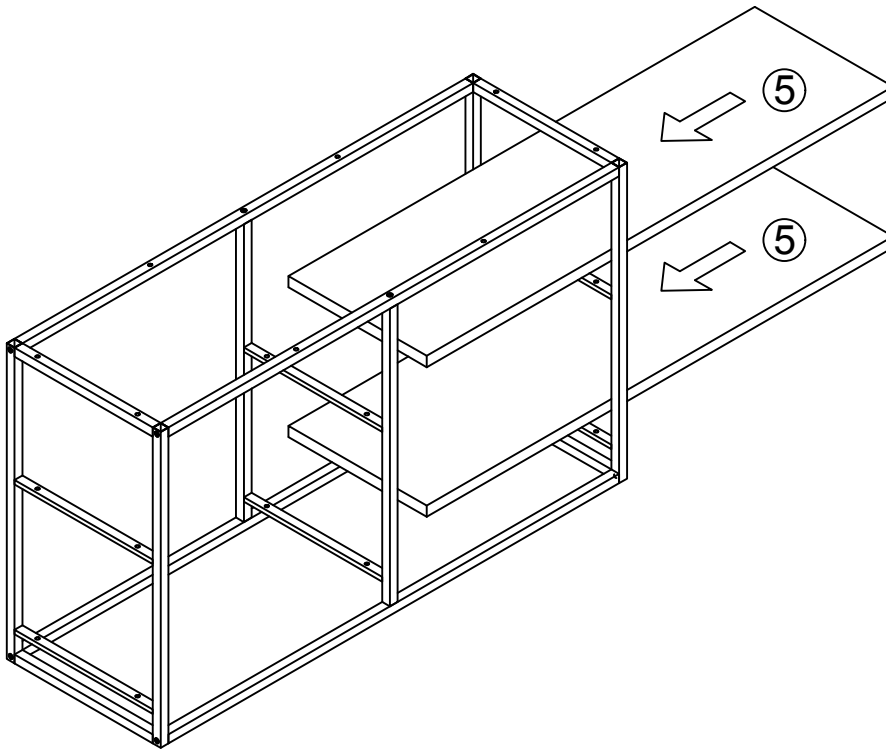
Fix part 4 to part 3 and 2 using screws(B) and allen key(E), as shown.



ASSEMBLY STEPS

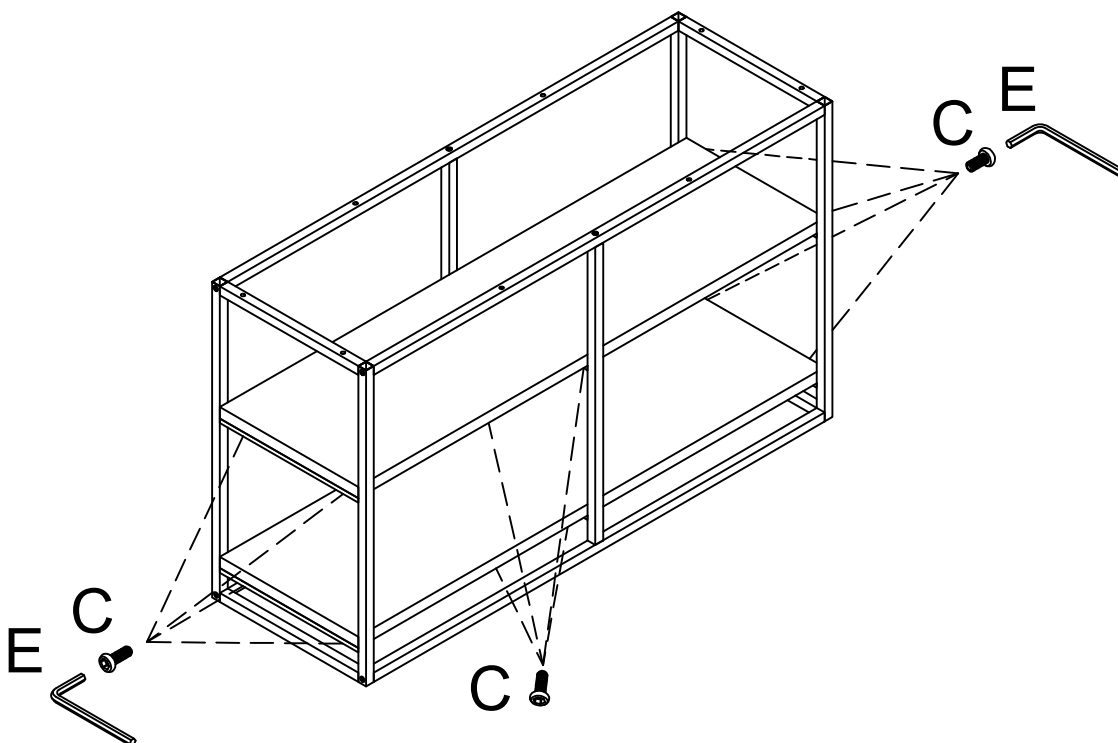
STEP 3.

Insert part 5 into assembled parts, as shown.



STEP 4.

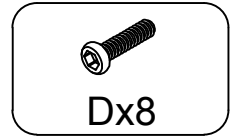
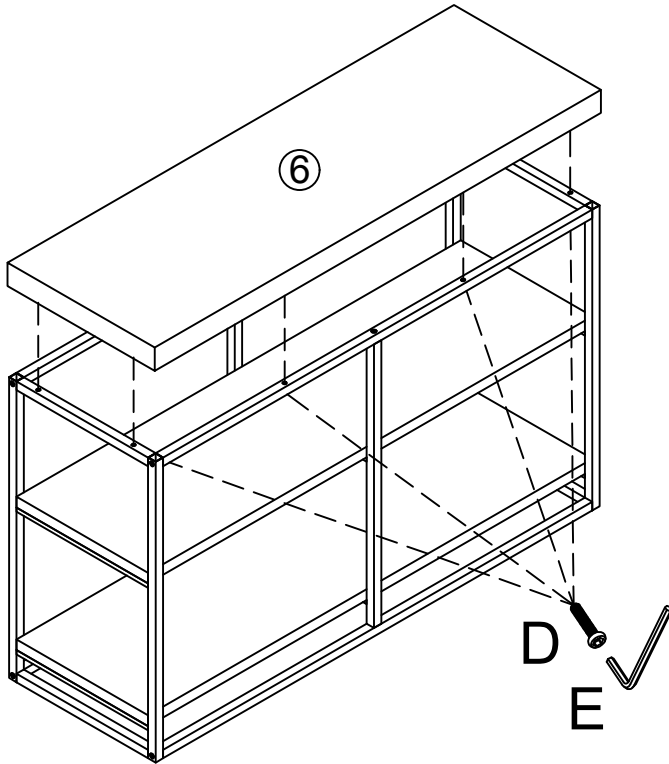
Fix part 5 to assembled parts using screw(C) and allen key(E), as shown.



ASSEMBLY STEPS

STEP 5.

Fix part 6 to assembled parts using screw(D) and allen key(E), as shown.



STEP 6.

Drill the wall and install expansion screw (G). Use (H) to pass through (J) to the wall, and use (I) to pass through (J) to the panel, as shown.

