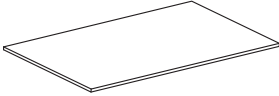







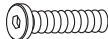
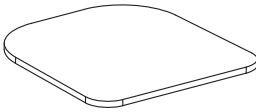

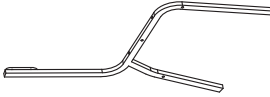

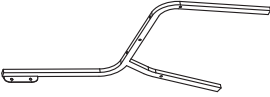
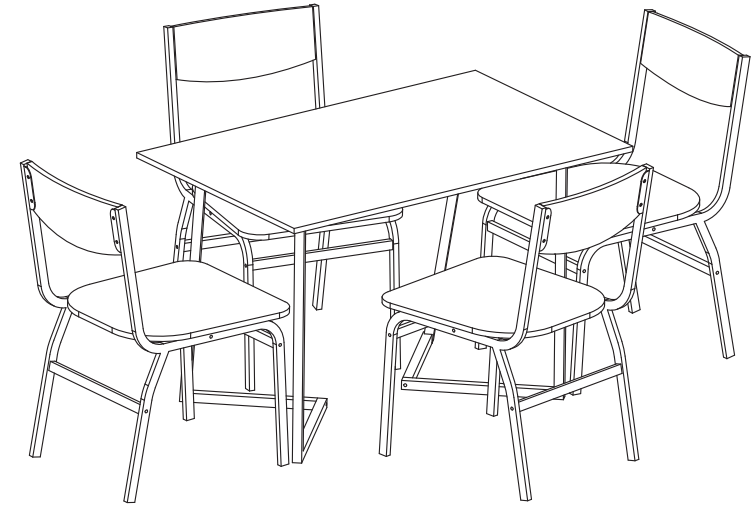


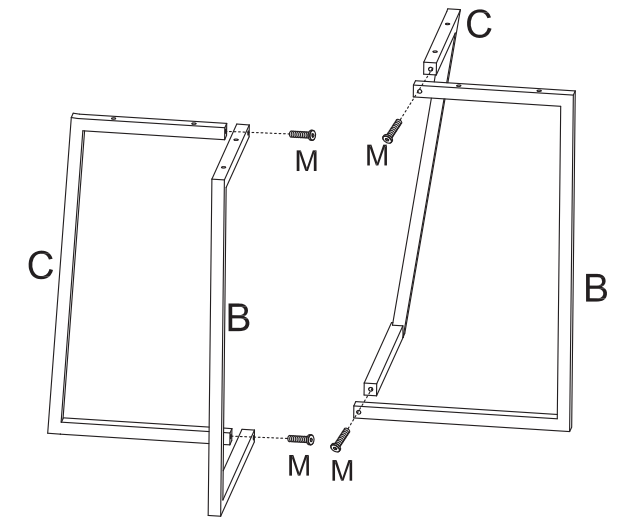
A		1PC	I		12PCS
B		2PCS	J	 M6×12mm	16PCS
C		2PCS	K	 M6×25mm	4PCS
D		2PCS	L	M6×35mm	48PCS
E		4PCS	M	 M6×45mm	4PCS
F		4PCS	N		8PCS
G		4PCS	O	 4mm	1PC
H		4PCS			

ASSEMBLE INSTRUCTION

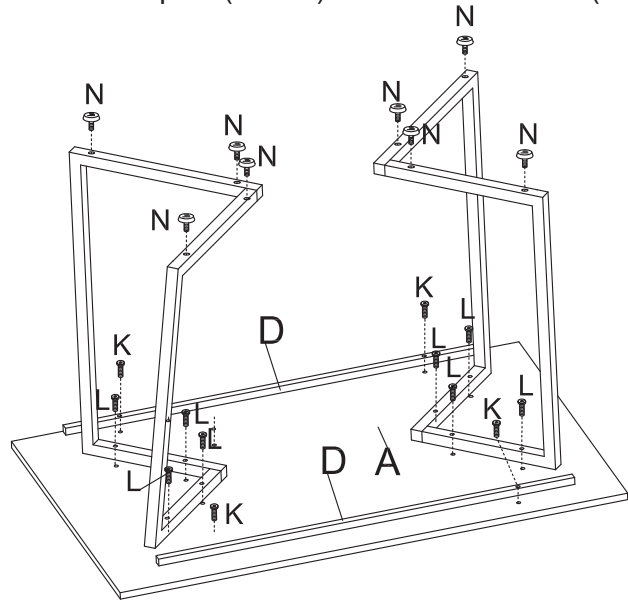
DO NOT TIGHTEN SCREWS UNTIL COMPLETELY ASSEMBLED



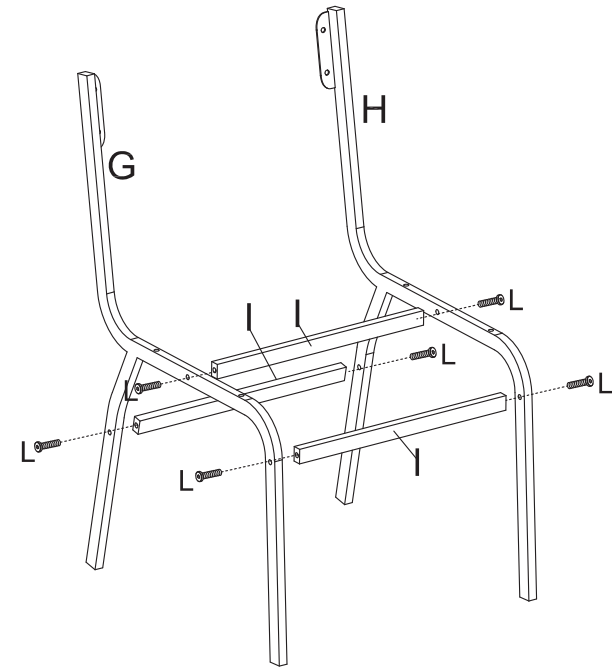
1 Step 1-Use screws(Part M)to connect table feet(Part B/C) as table metal frame



2 step 2-Use screws(Part L)to connect table metal frame to the table top(Part A)
 Use screws(Part K)to connect cross-bars(Part D) to the table top (Part A)
 Use adjustable foot pads(Part N)to connect table feet(Part B/C)

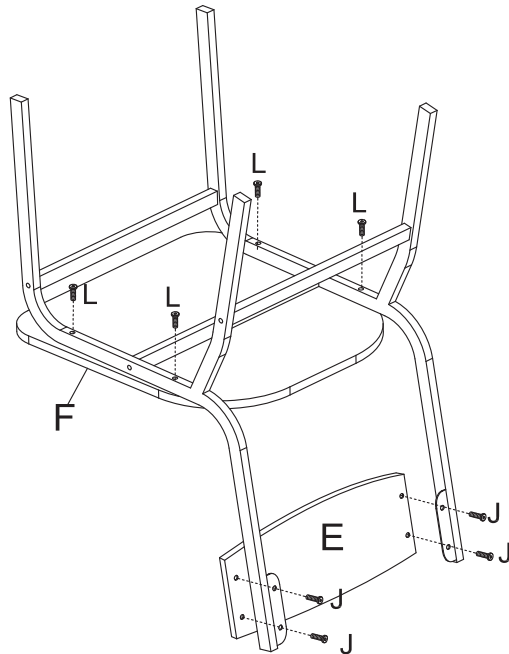


3 step 3-Use screws(Part L)to connect chair feet(Part G/H)and cross-bars(Part I)as a metal chair frame



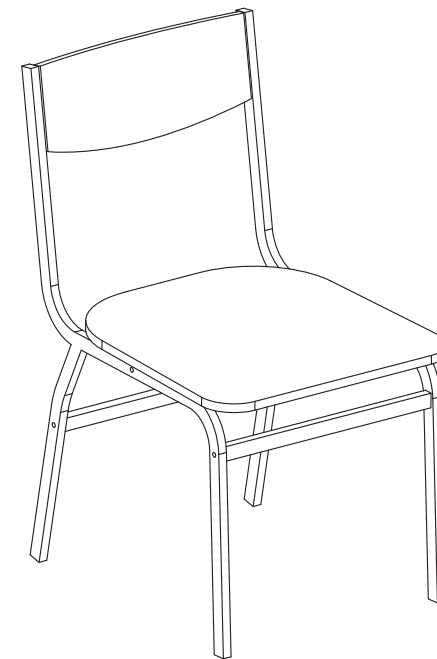
×4

4 step 4-Use screws(Part L) to connect the chair metal frame to the chair seat(Part F)
 -Use screws(Part J)to connect backrest(Part E) to the chair metal frame



×4

5



×4