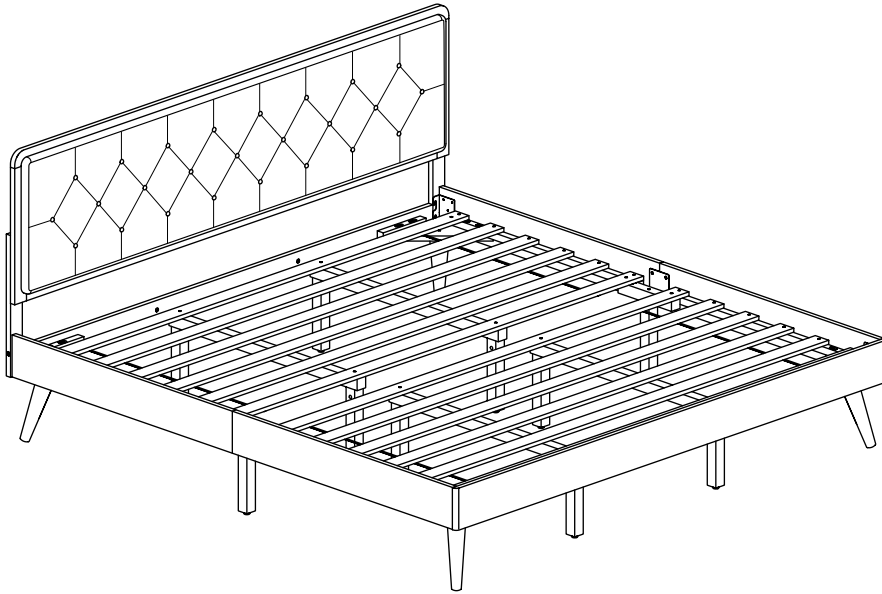


# 0020-1S King Bed

## Assembly Instructions

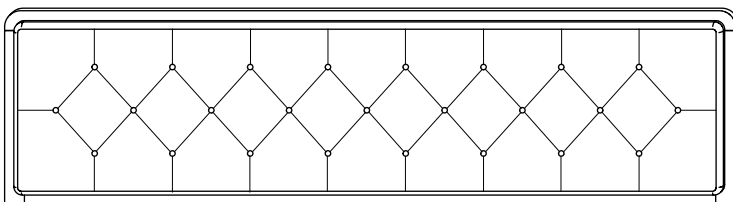
WI-0221

### 1 Assembled View

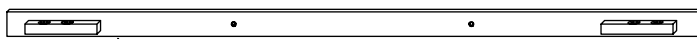


**Note:** Do not assemble using power tools. This can cause the bolts to be overtightened

### 2 Parts List



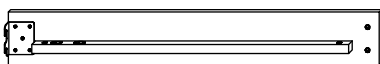
**A** Headboard Panel x 1



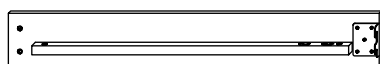
**B** Headboard Support x 1



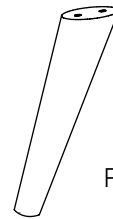
**C** Footboard Panel x 1



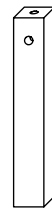
**D** Side Rail (Left Hand) x 2



**E** Side Rail (Right Hand) x 2



**F** Post x 4



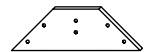
**G** Support Leg x 10



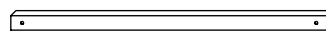
**H** Headboard Support Bar (Left Hand) x 1



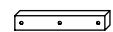
**J** Headboard Support Bar (Right Hand) x 1



**K** Support Panel x 4



**L** Long Support x 4



**M** Support Bar x 2



**N** Set of Bed Slats x 2

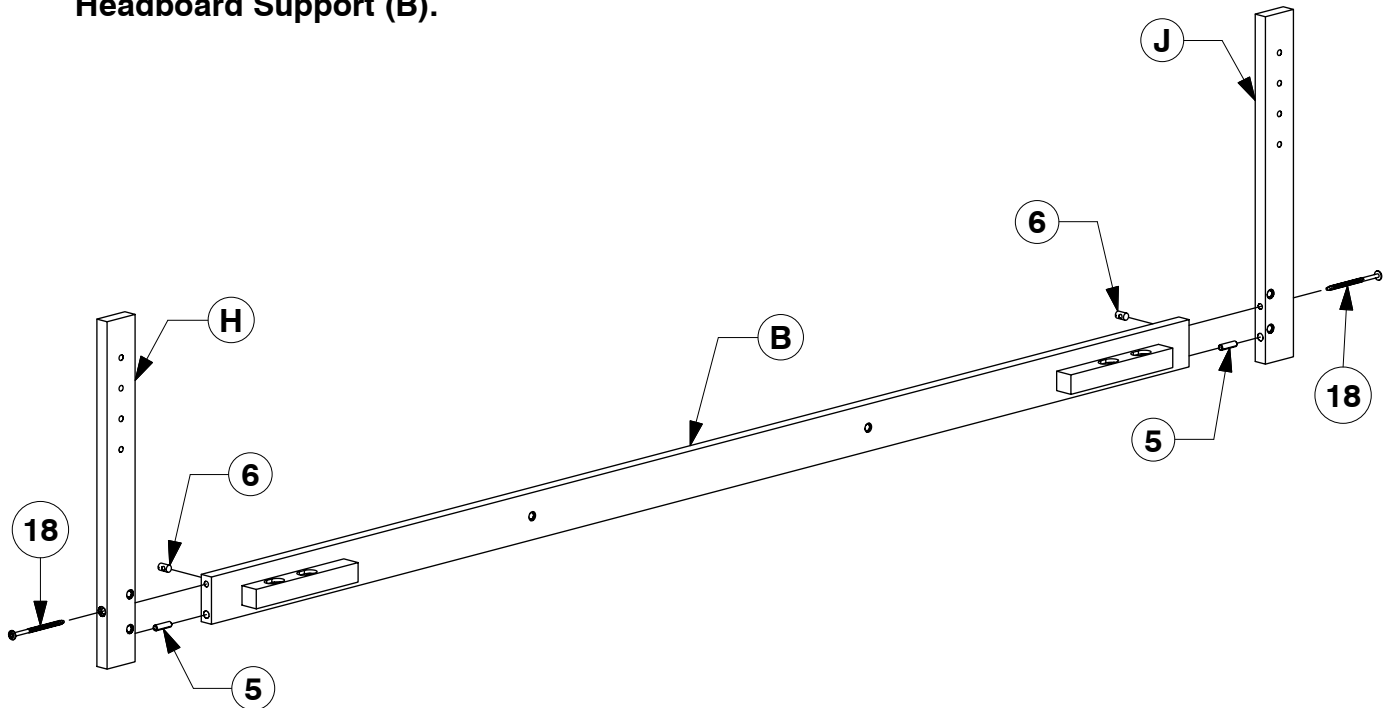


# 0020-1S King Bed

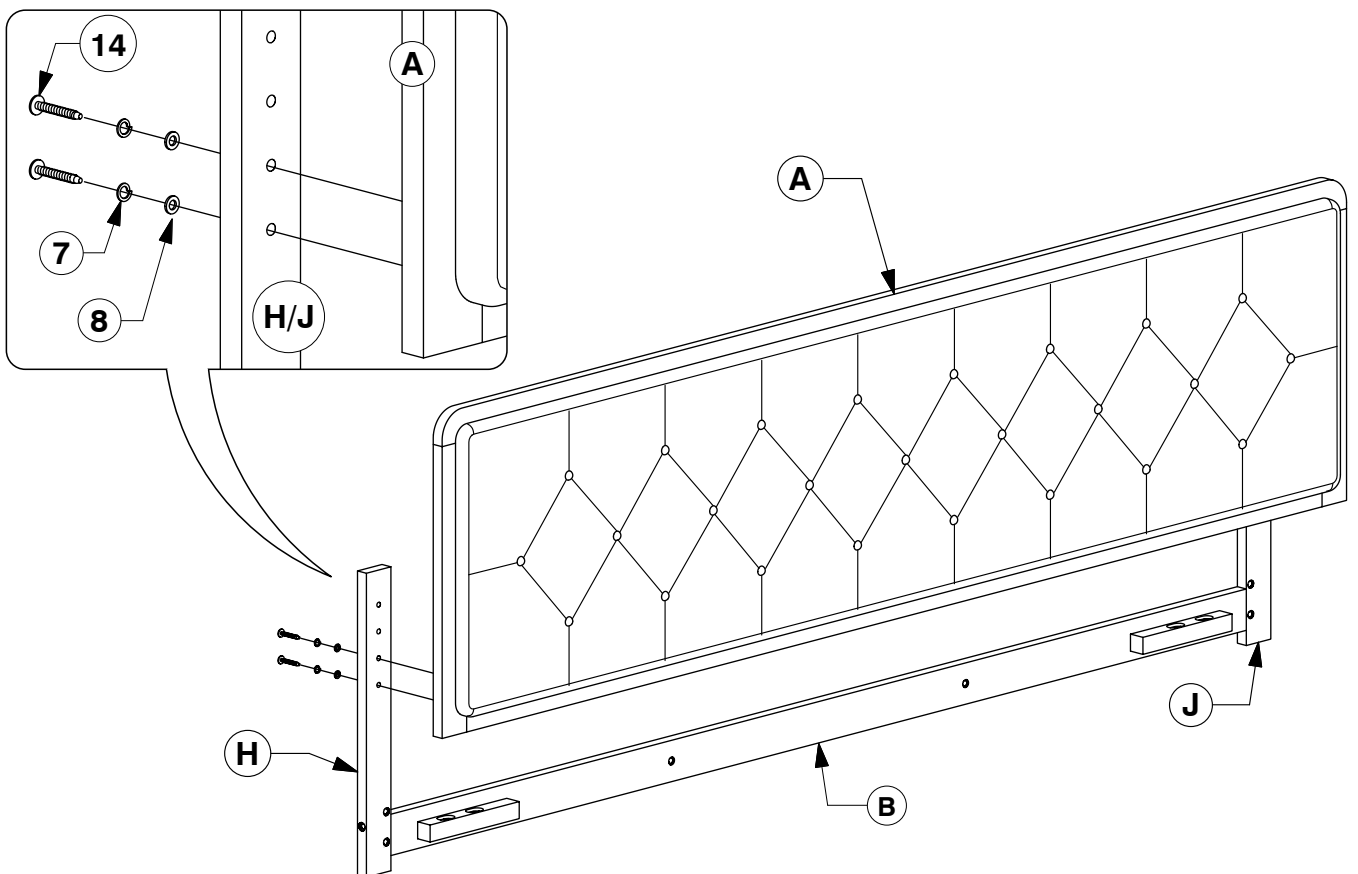
## Assembly Instructions

WI-0221

- 6** Assemble the Headboard Support Bar (H & J) to the Headboard Support (B).



- 7** Fit the Headboard Support Bar (H & J) to the Headboard Panel (A).



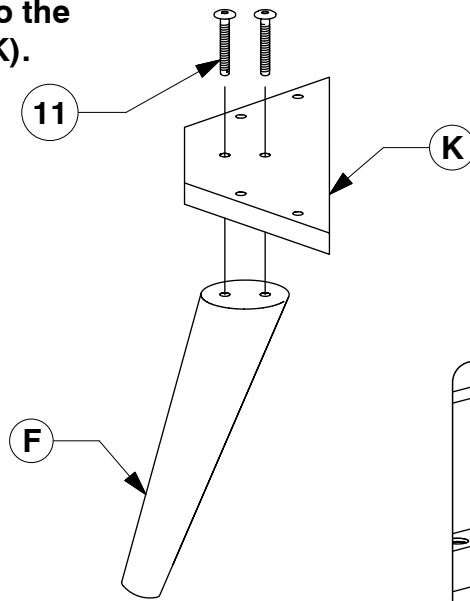
# 0020-1S King Bed

## Assembly Instructions

WI-0221

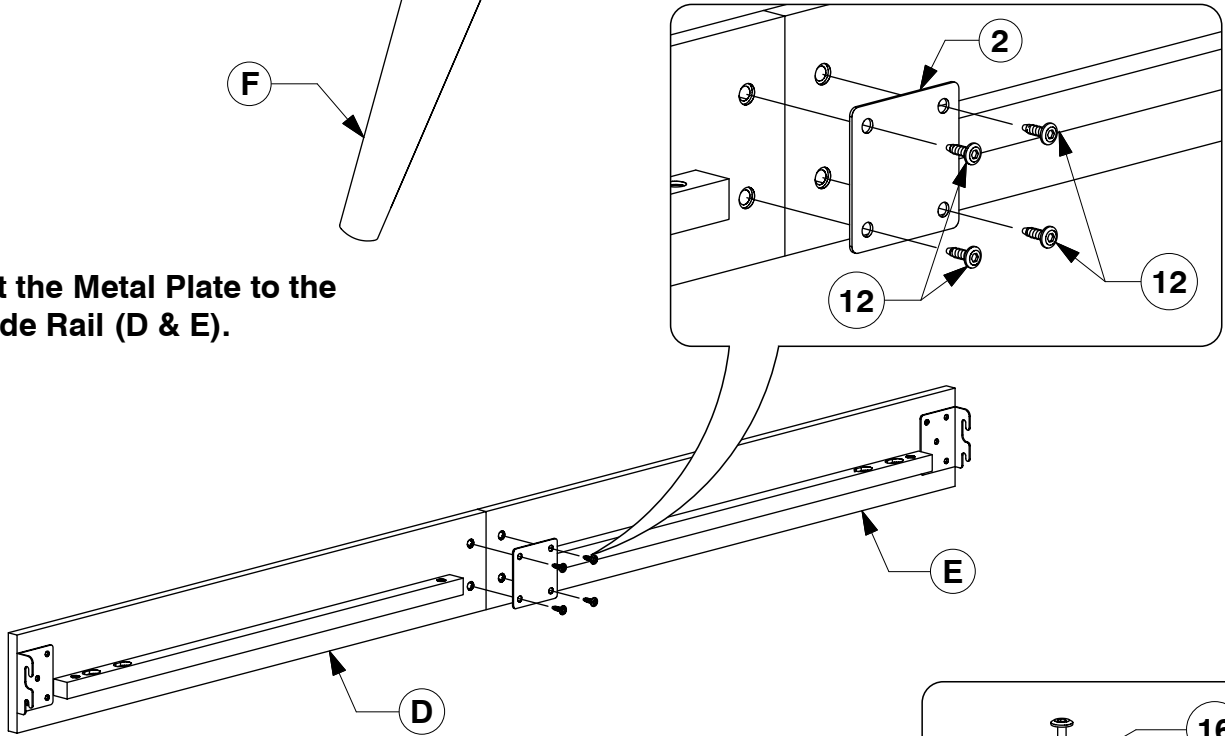
- 8** Fit the Post (F) to the Support Panel (K).

x4



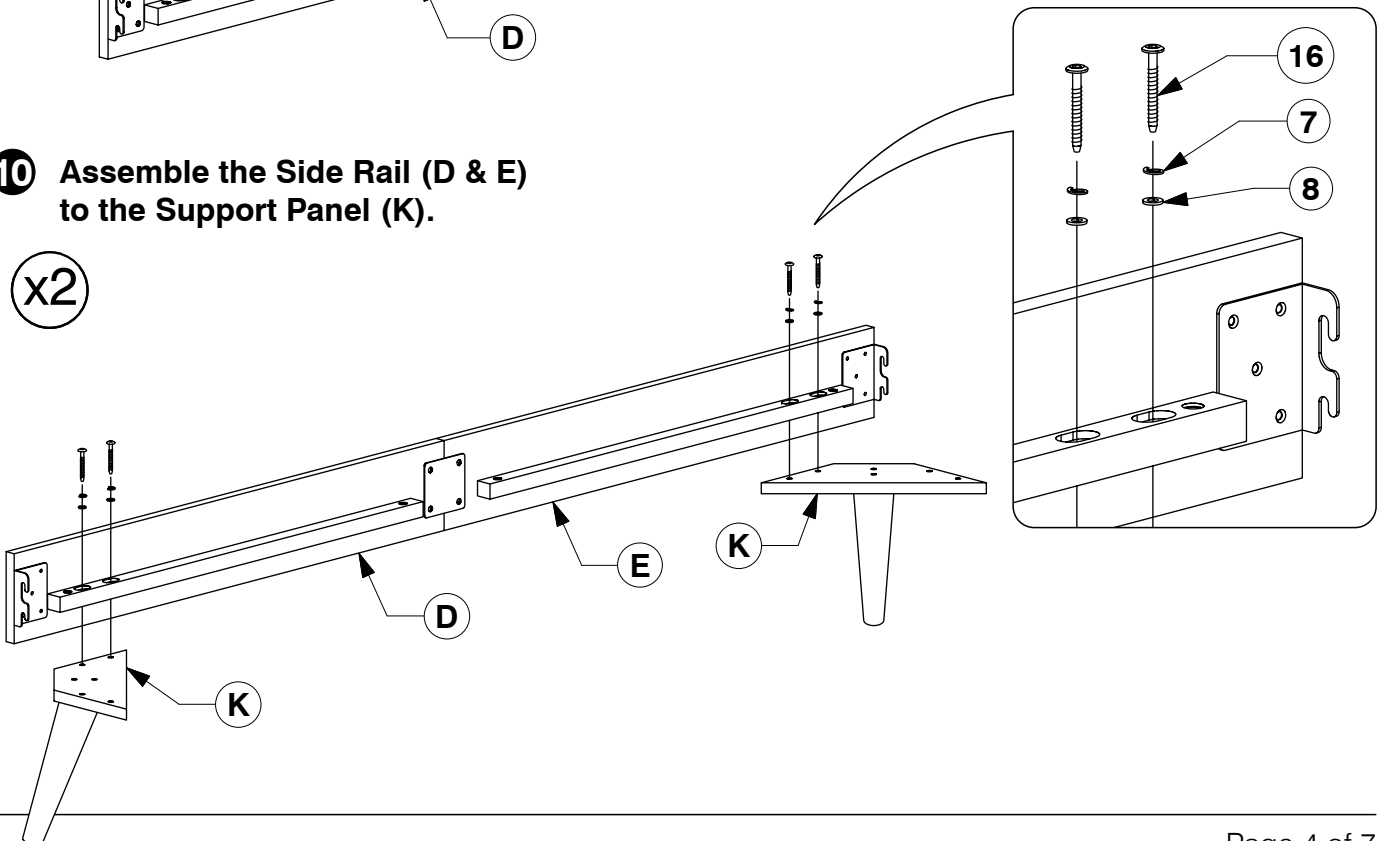
- 9** Fit the Metal Plate to the Side Rail (D & E).

x2



- 10** Assemble the Side Rail (D & E) to the Support Panel (K).

x2

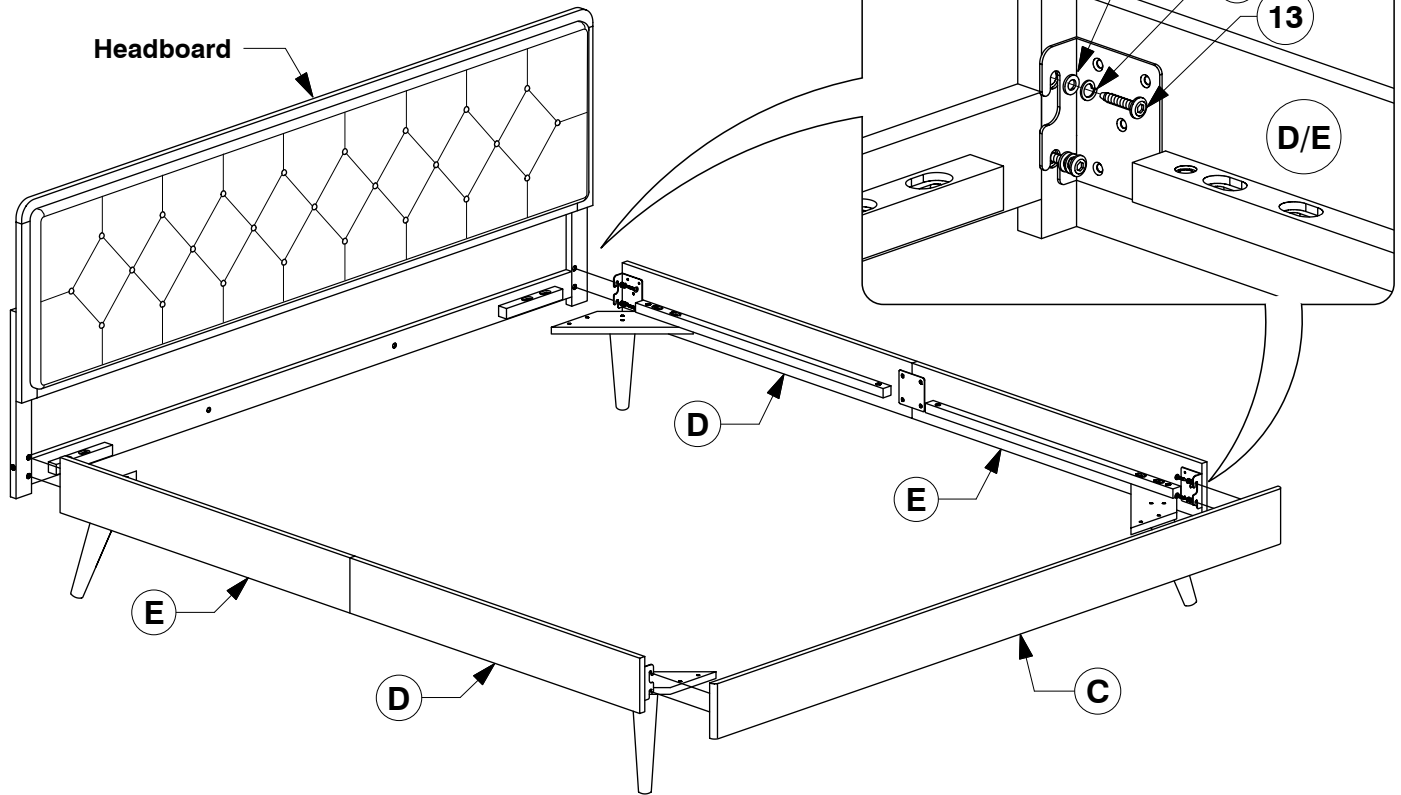


# 0020-1S King Bed

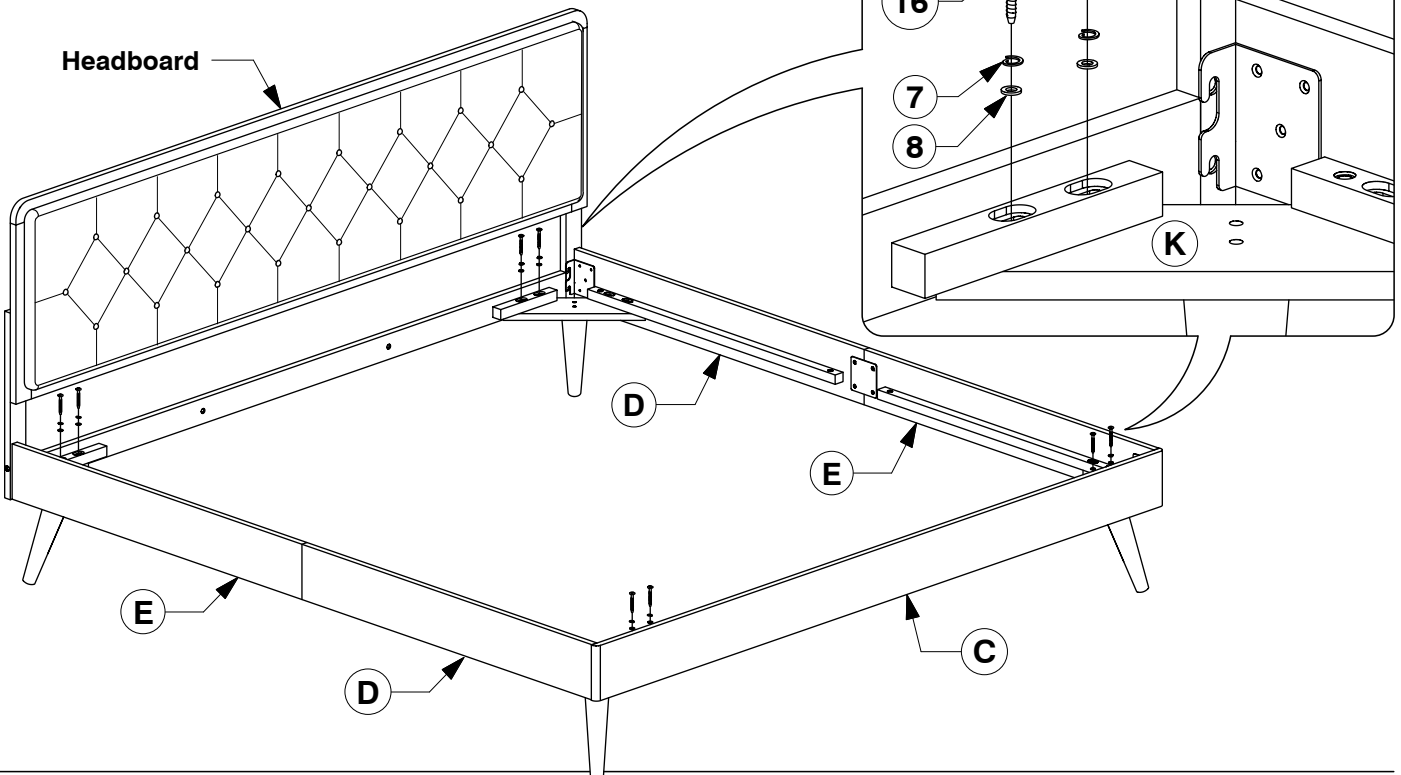
## Assembly Instructions

WI-0221

- 11** Assemble the Side Rail (D & E) to the Headboard & Footboard Panel (C).



- 12** Bolt the Support Panel (K) to the Headboard & Footboard Panel (C).

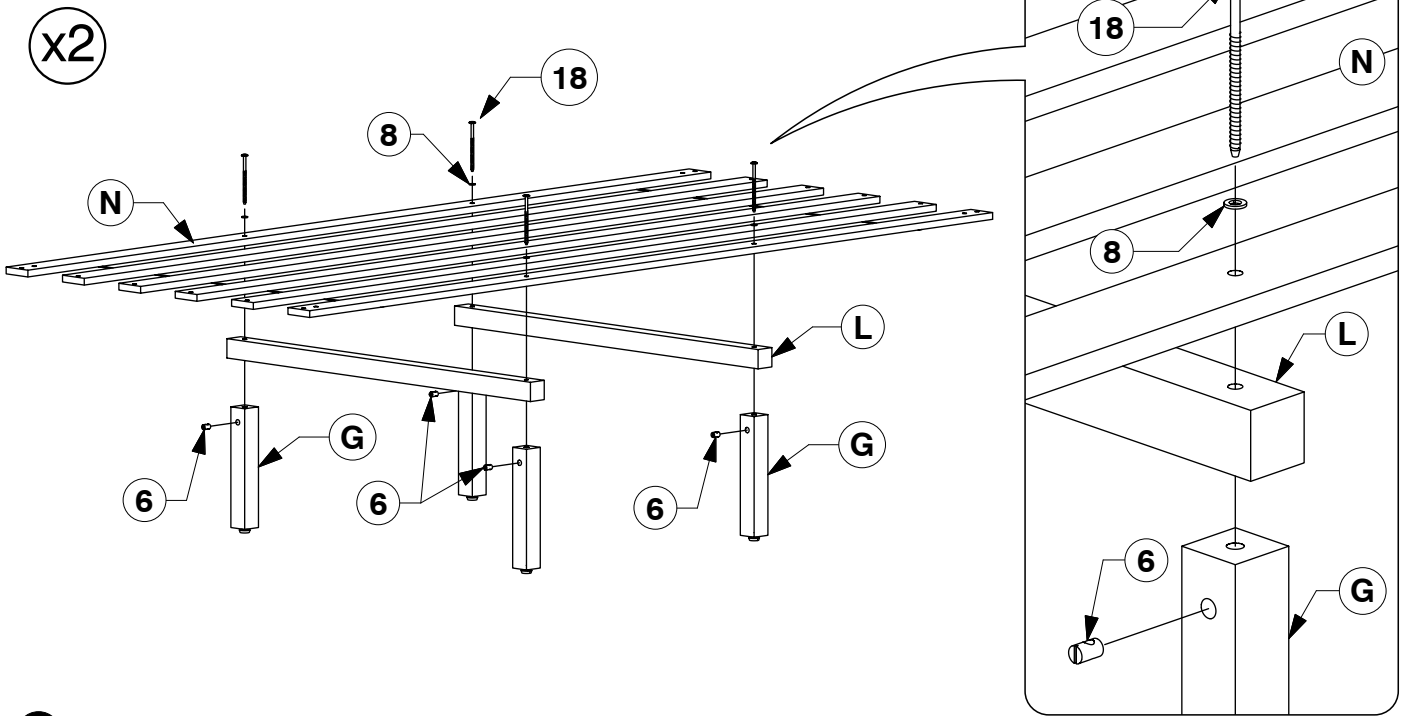


# 0020-1S King Bed

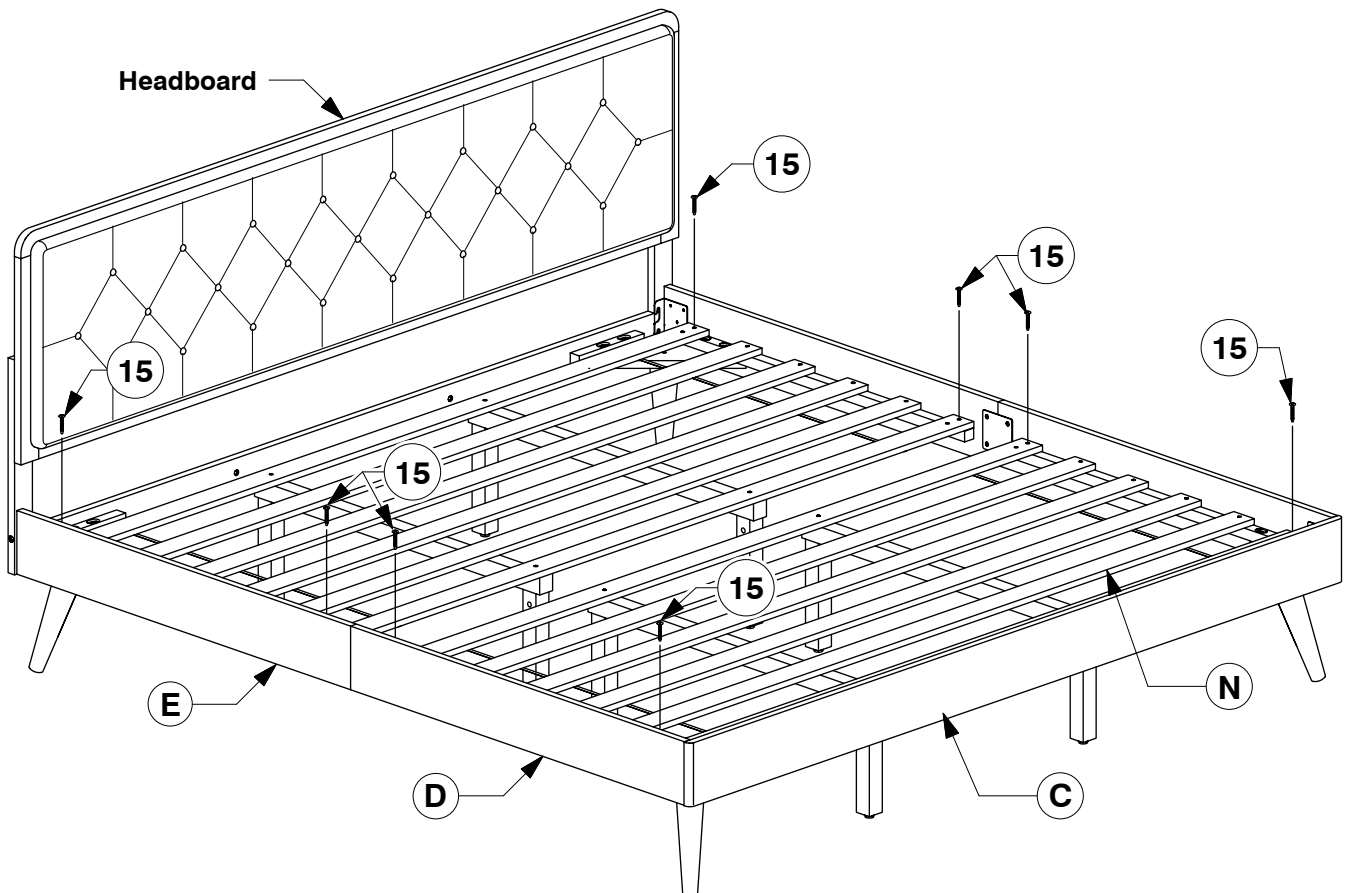
## Assembly Instructions

WI-0221

- 13** Fit the Slats (N) to the Long Support (L) & Support Leg (G).



- 14** Bolt the Bed Slats (N) to the Side Rail (D & E).

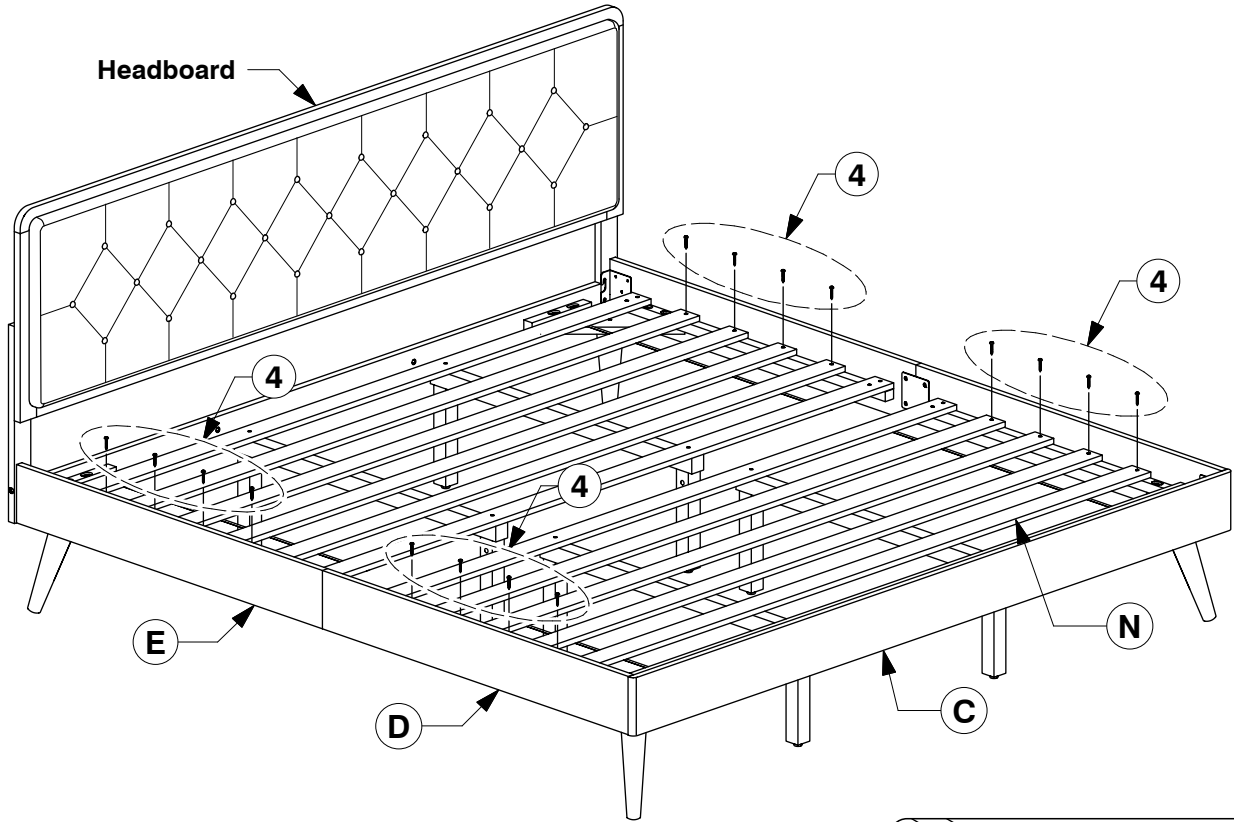


# 0020-1S King Bed

## Assembly Instructions

WI-0221

- 15** Screw the Bed Slats (N) to the Side Rail (D & E).



- 16** Lastly, fit the Support Bar (M) in place.

