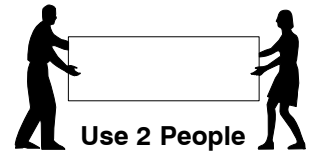
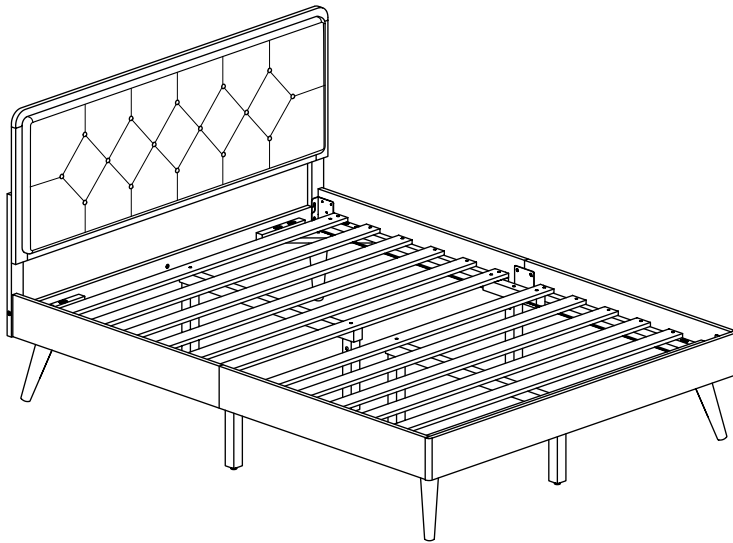


0020-1S Full Bed

Assembly Instructions

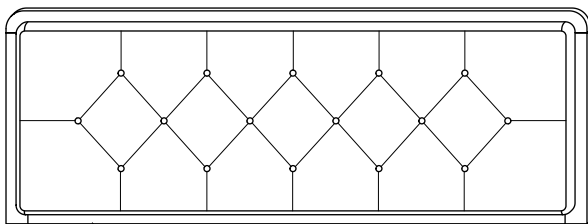
WI-0221

1 Assembled View

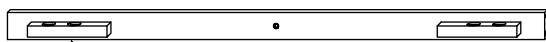


Note: Do not assemble using power tools. This can cause the bolts to be overtightened

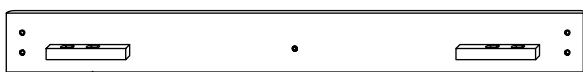
2 Parts List



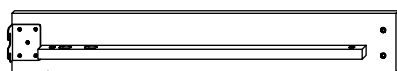
A Headboard Panel x 1



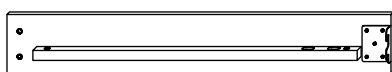
B Headboard Support x 1



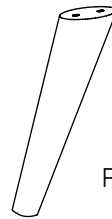
C Footboard Panel x 1



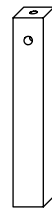
D Side Rail (Left Hand) x 2



E Side Rail (Right Hand) x 2



F Post x 4



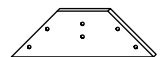
G Support Leg x 6



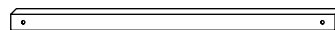
H Headboard Support Bar (Left Hand) x 1



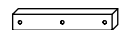
J Headboard Support Bar (Right Hand) x 1



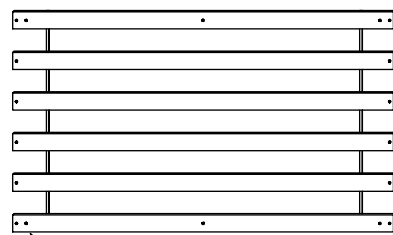
K Support Panel x 4



L Long Support x 2



M Support Bar x 2



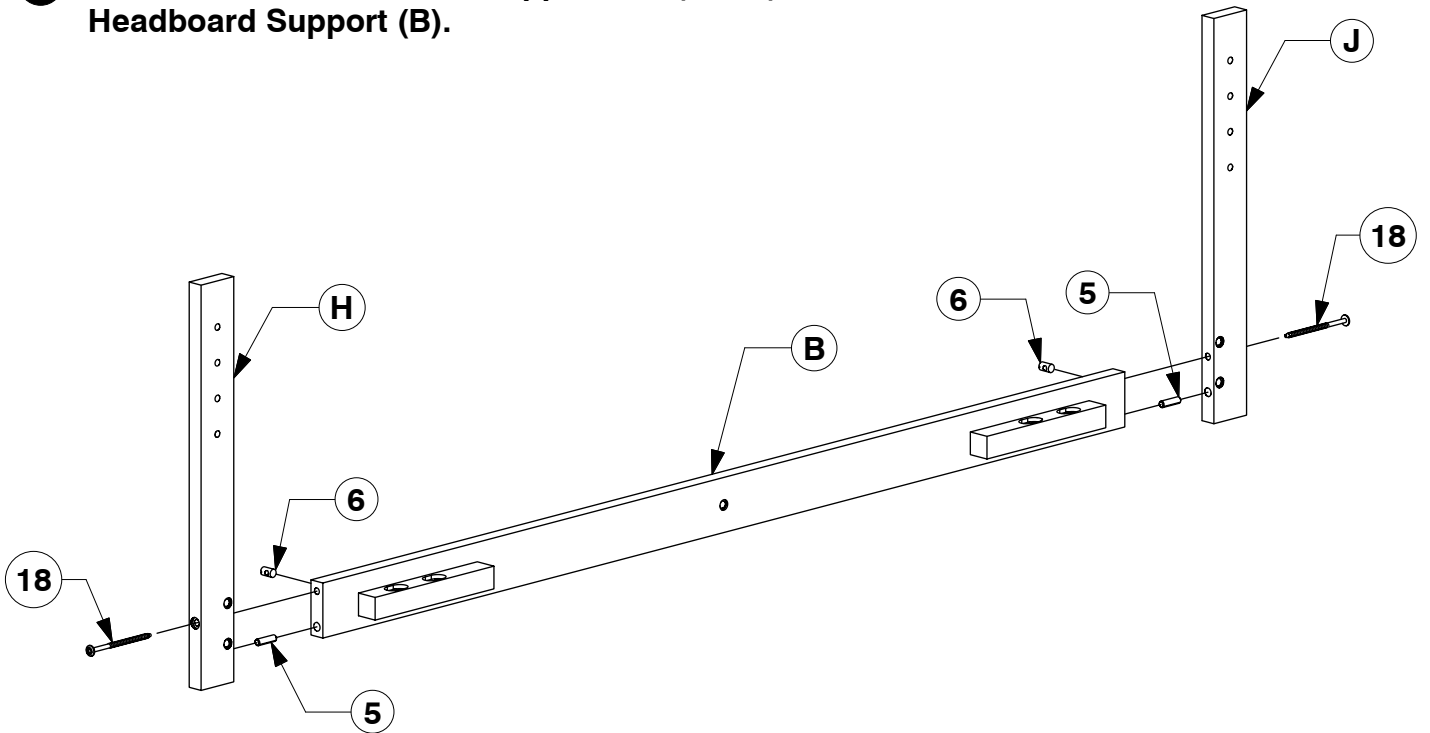
N Set of Bed Slats x 2

0020-1S Full Bed

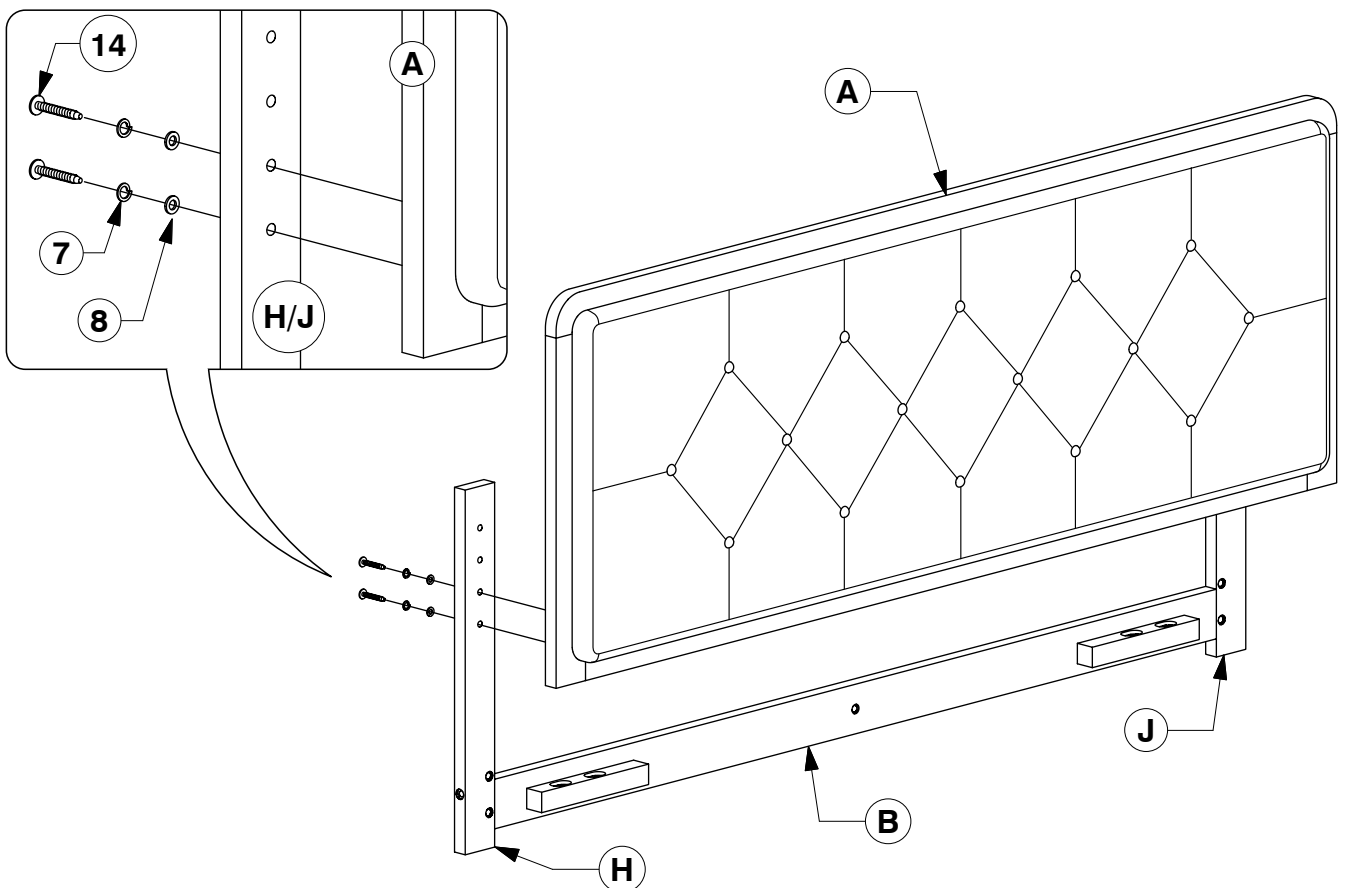
Assembly Instructions

WI-0221

- 6** Assemble the Headboard Support Bar (H & J) to the Headboard Support (B).



- 7** Fit the Headboard Support Bar (H & J) to the Headboard Panel (A).



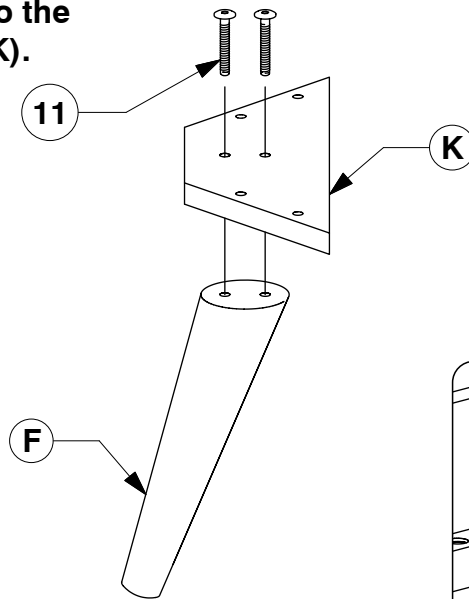
0020-1S Full Bed

Assembly Instructions

WI-0221

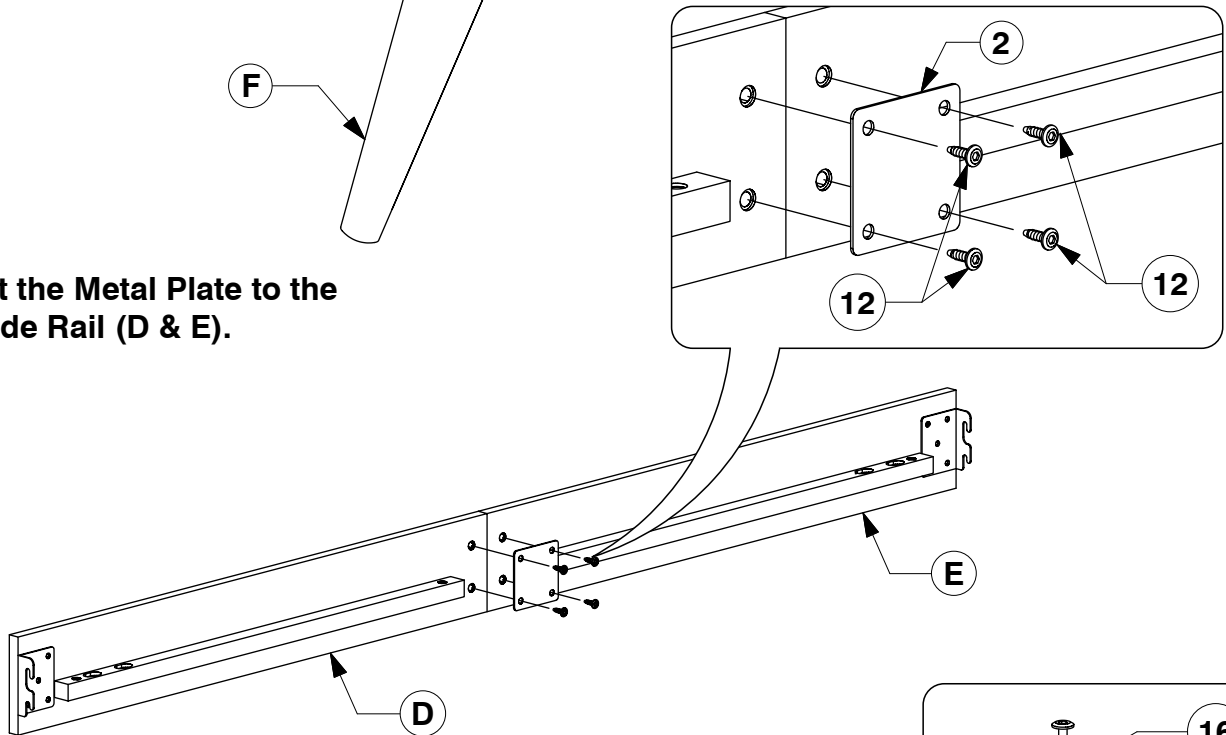
- 8** Fit the Post (F) to the Support Panel (K).

x4



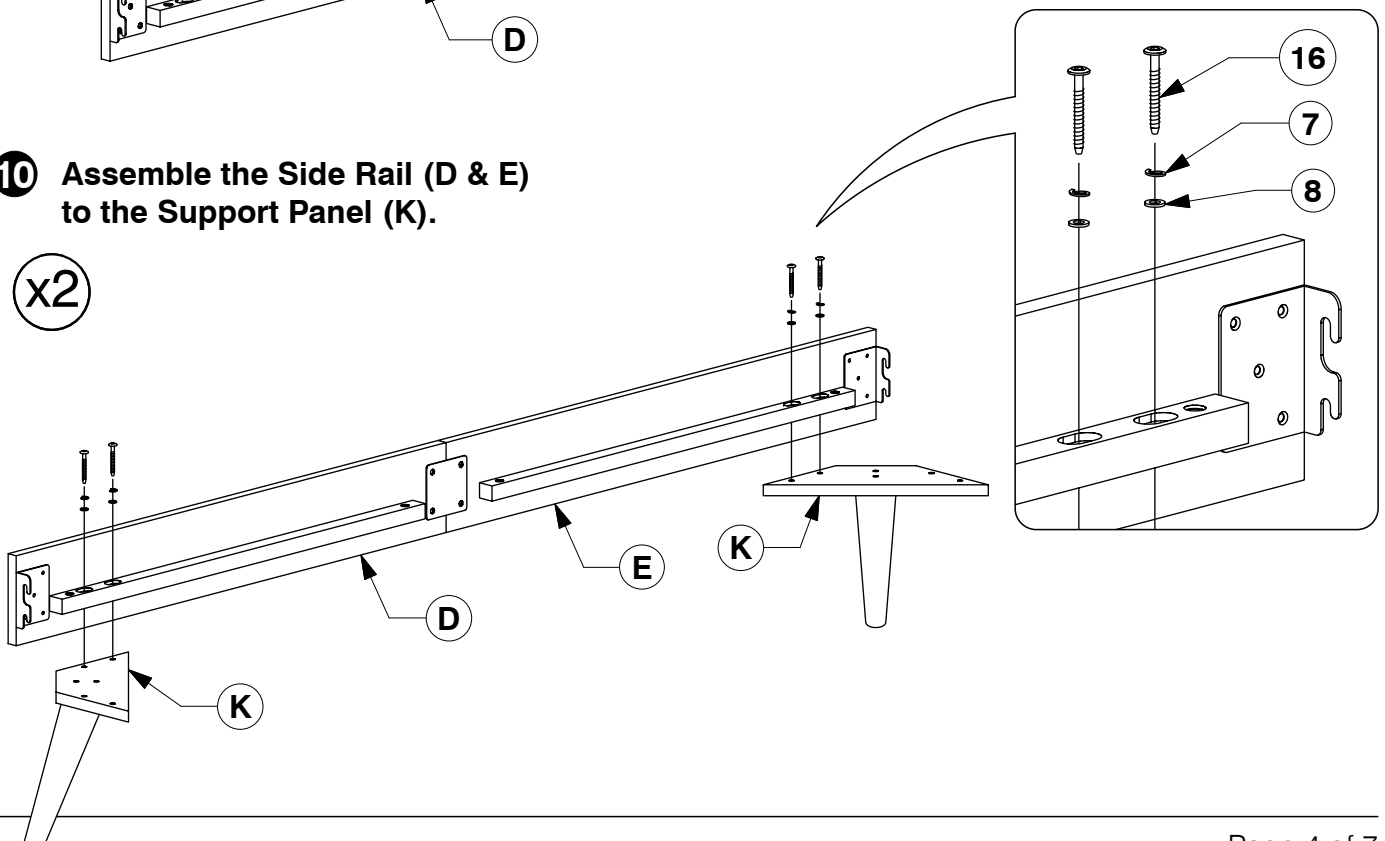
- 9** Fit the Metal Plate to the Side Rail (D & E).

x2



- 10** Assemble the Side Rail (D & E) to the Support Panel (K).

x2

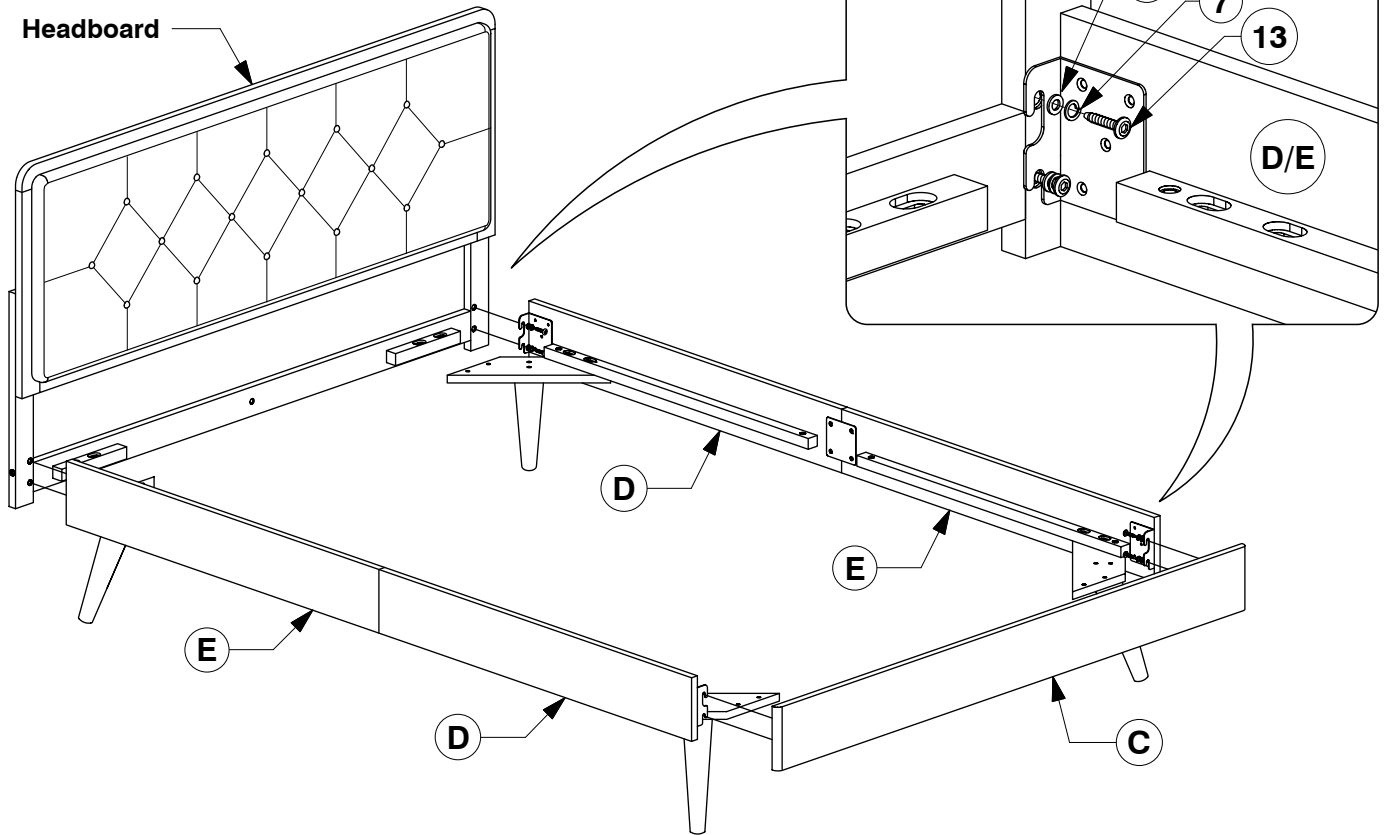


0020-1S Full Bed

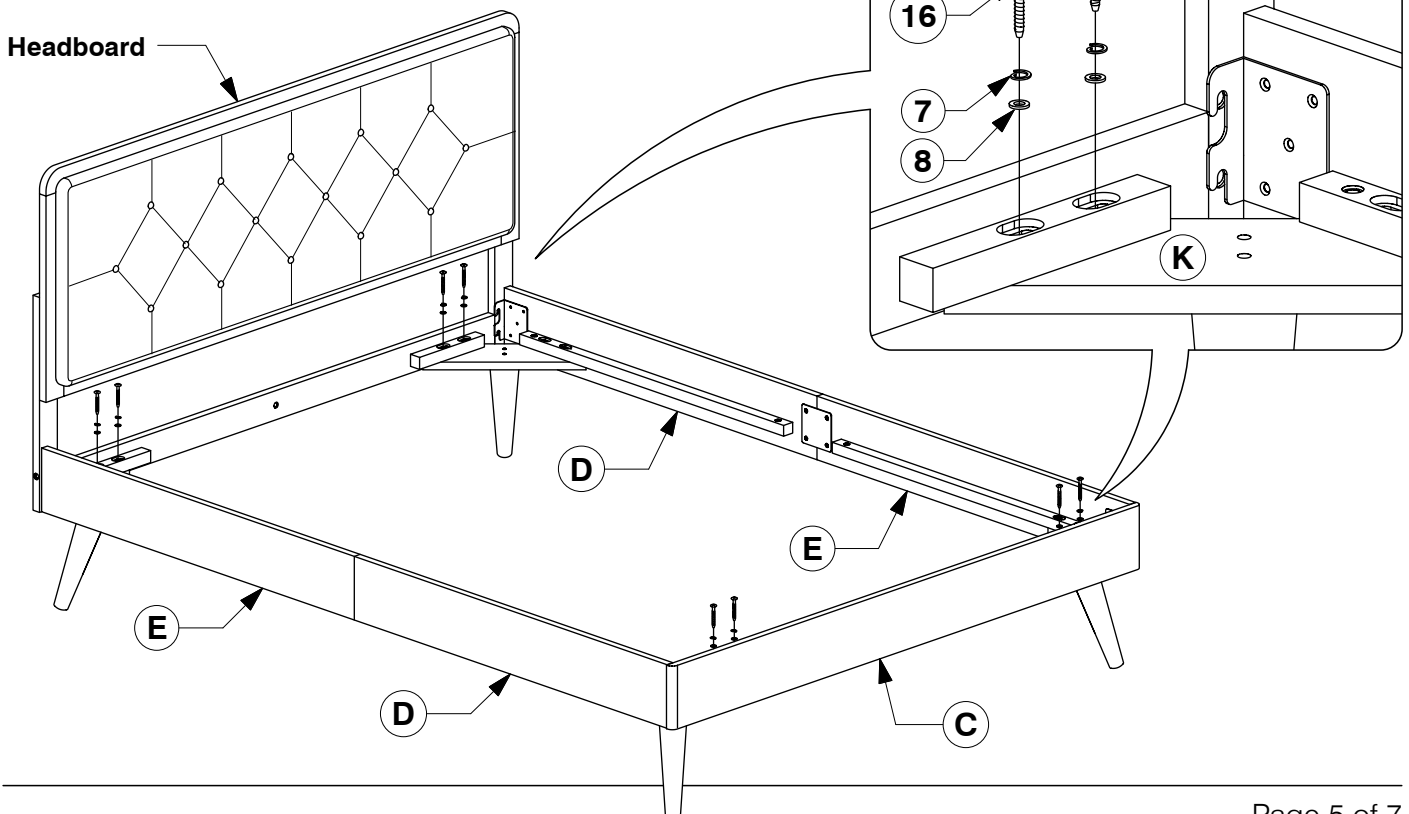
Assembly Instructions

WI-0221

- 11** Assemble the Side Rail (D & E) to the Headboard & Footboard Panel (C).



- 12** Bolt the Support Panel (K) to the Headboard & Footboard Panel (C).

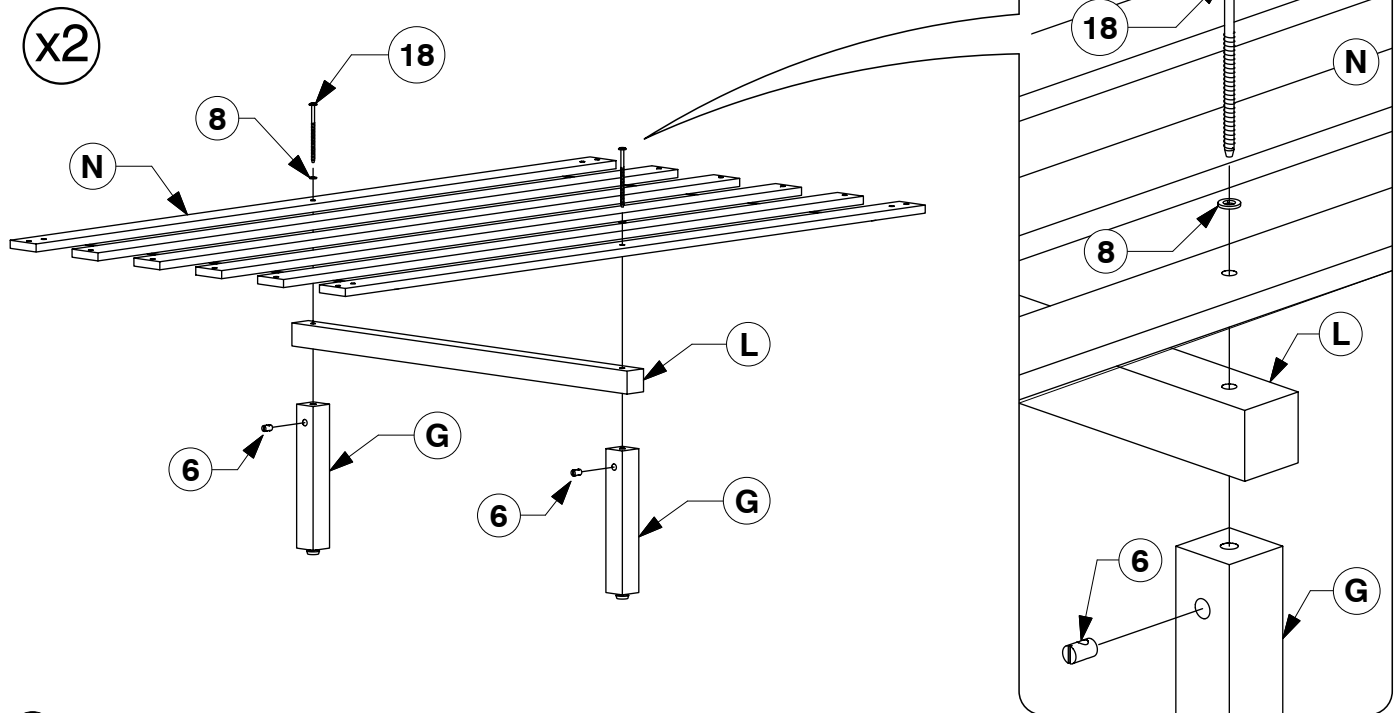


0020-1S Full Bed

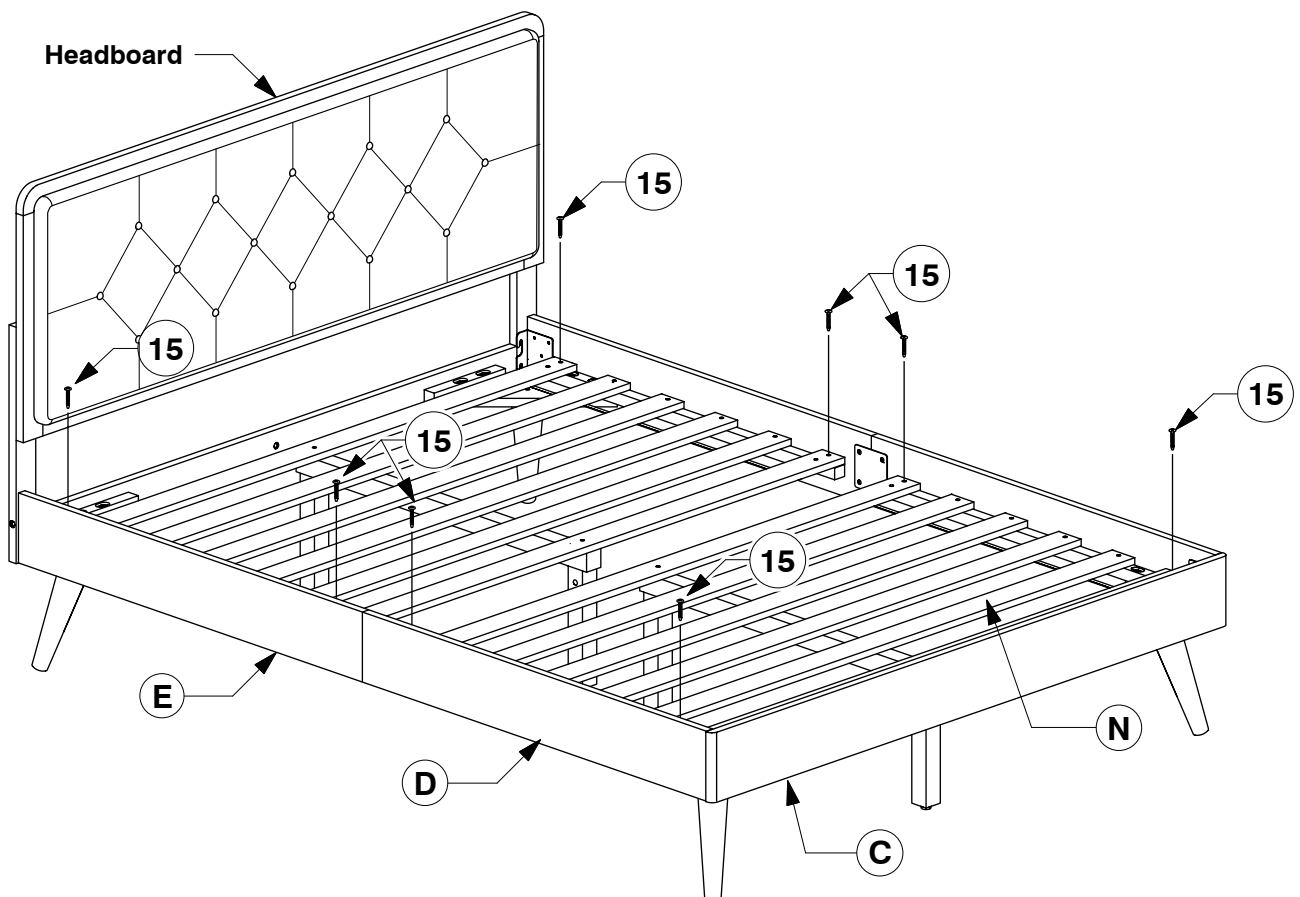
Assembly Instructions

WI-0221

- 13** Fit the Slats (N) to the Long Support (L) & Support Leg (G).



- 14** Bolt the Bed Slats (N) to the Side Rail (D & E).

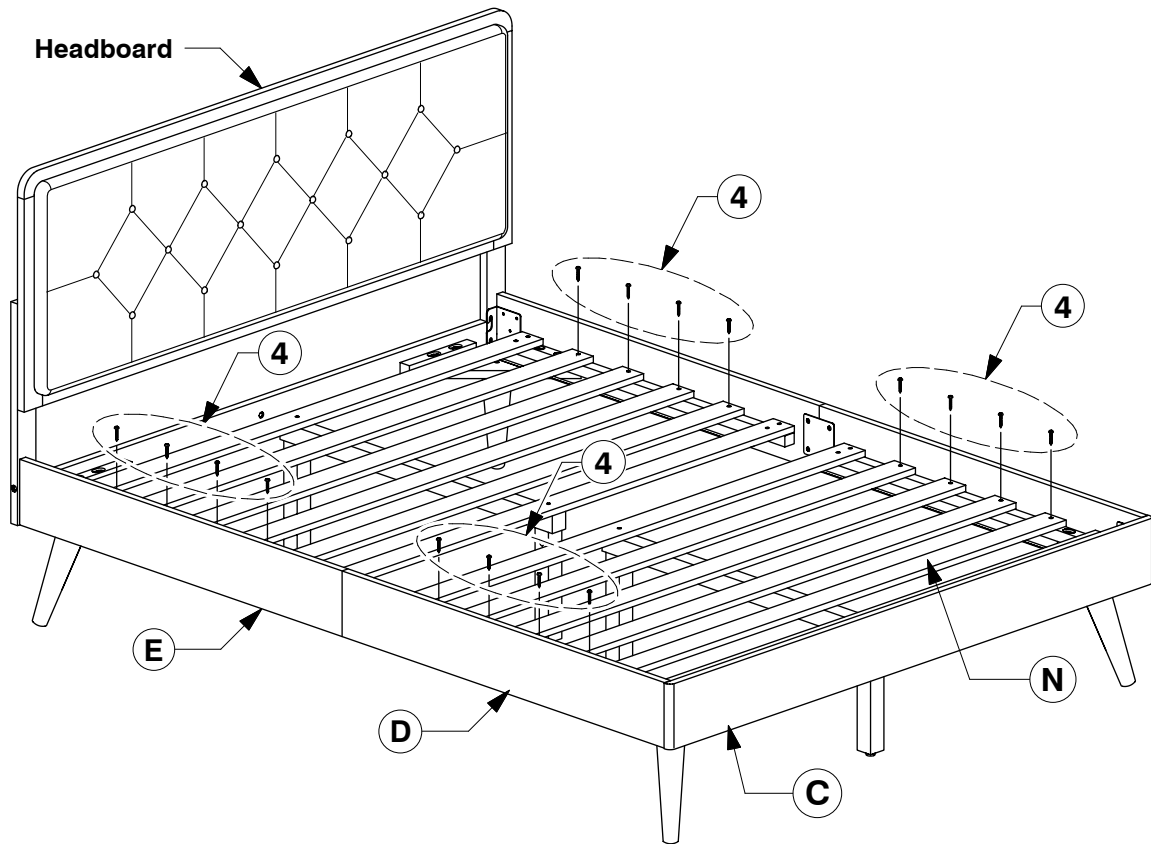


0020-1S Full Bed

Assembly Instructions

WI-0221

- 15** Screw the Bed Slats (N) to the Side Rail (D & E).



- 16** Lastly, fit the Support Bar (M) in place.

