
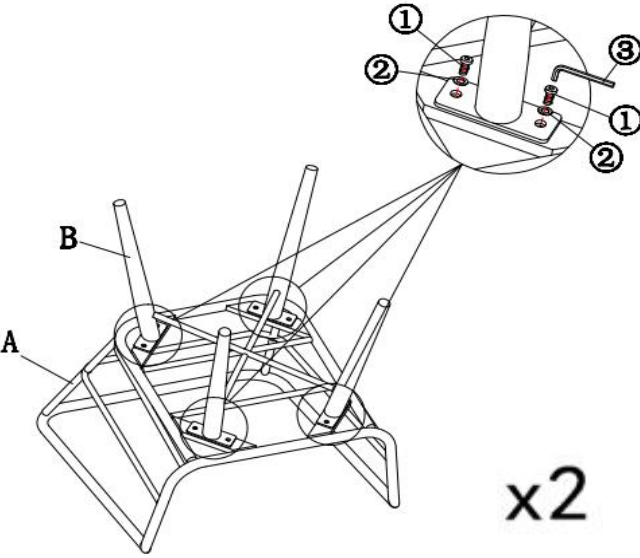
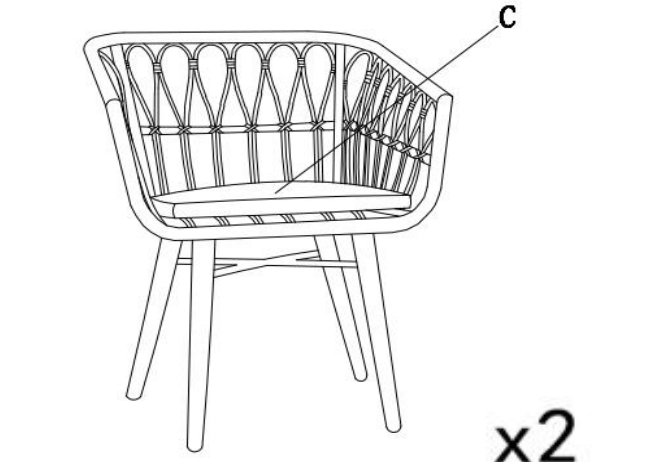







ASSEMBLY INSTRUCTION

ITEM: FAUX RATTAN/BROWN-CHAIR

NO	PART LIST	QTY	STEP 1	STEP 2
①	 <p>FLAT HEAD SCREW 6x15 mm</p>	16PCS	<p>Attach seat base (B) to the seat (A) using flat head screw and washers with allen key.</p> 	<p>Put the cushion (C) on the seat.</p> 
②	 <p>WASHER</p>	16PCS		
③	 <p>ALLEN KEY 4x60 mm</p>	1PC		
A	 <p>SEAT</p>	2PCS		
B	 <p>SEAT BASE</p>	2PCS		
C	 <p>CUSHION</p>	2PCS		