
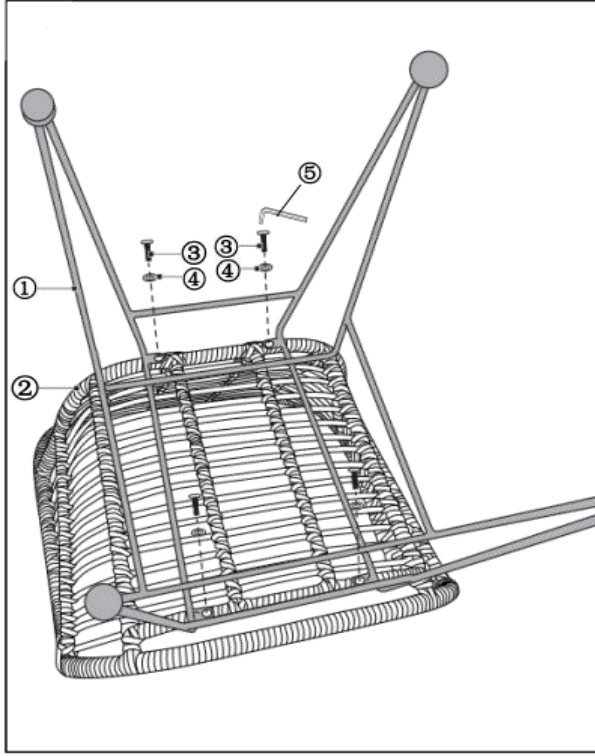

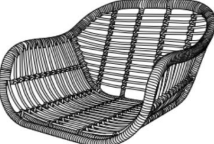
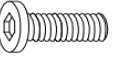


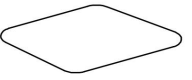


# ASSEMBLY INSTRUCTION

ITEM: FAUX RATTAN BROWN/METAL -CHAIR

NO	PART LIST	QTY	STEP 1	STEP 2
①	 <p>SEAT BASE</p>	1PC	<p>Attach seat base to the seat using flat head screw and washers with allen key.</p> 	<p>Put the cushion on the seat.</p> 
②	 <p>SEAT</p>	1PC		
③	 <p>FLAT HEAD SCREW 6x20 mm</p>	4PCS		
④	 <p>WASHER</p>	4PCS		
⑤	 <p>ALLEN KEY 4x60 mm</p>	1PC		
⑥	 <p>CUSHION</p>	1PC		