
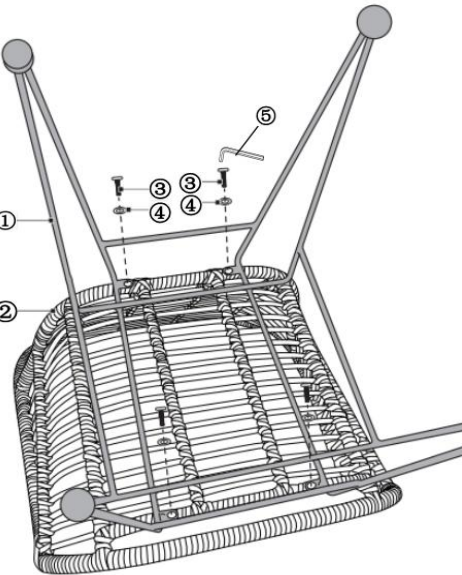
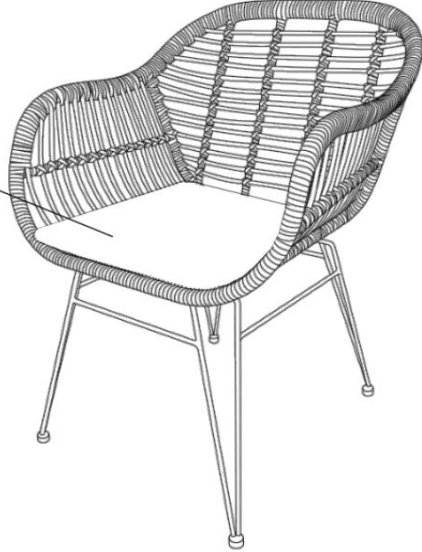


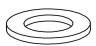


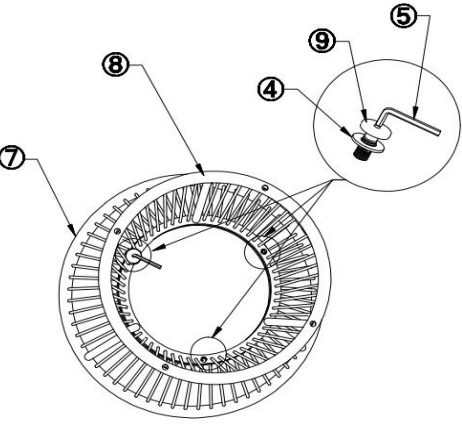
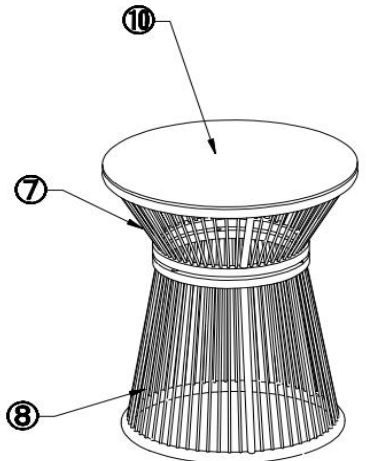






# ASSEMBLY INSTRUCTION

ITEM: FAUX RATTAN BROWN/METAL - CHAIR

NO	PART LIST	QTY	STEP 1	STEP 2
①	 SEAT BASE	2PC	<p data-bbox="584 293 1070 347">Attach seat base to the seat using flat head screw and washers with allen key.</p> 	<p data-bbox="1070 293 1560 324">Put the cushion on the seat.</p> 
②	 SEAT	2PC		
③	 FLAT HEAD SCREW 6x20 mm	8PCS		
④	 WASHER	11PCS		
⑤	 ALLEN KEY 4x60 mm	1PC		
⑥	 CUSHION	2PC	<p data-bbox="584 965 1070 1019">STEP 3 Attach table top to table base using flat head screw and flat washer with allen key .</p> 	<p data-bbox="1070 965 1560 996">STEP 4 Put glass on table top.</p> 
⑦	 TABLE TOP	1PC		
⑧	 TABLE BASE	1PC		
⑨	 FLAT HEAD SCREW 6 x35 mm	3PC		
⑩	 GLASS	1PC		