
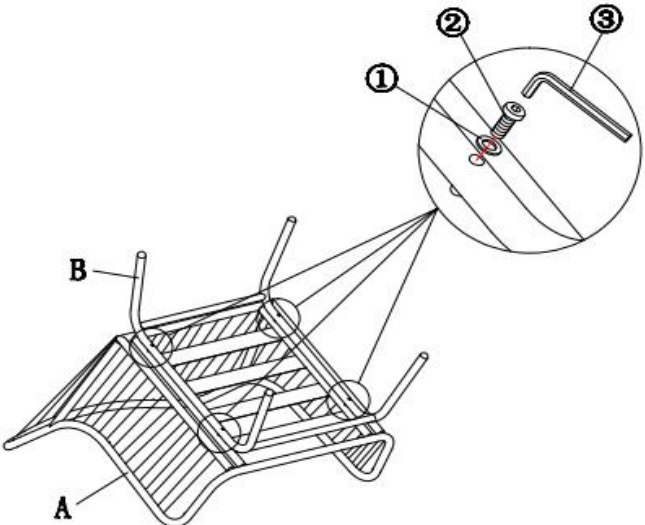
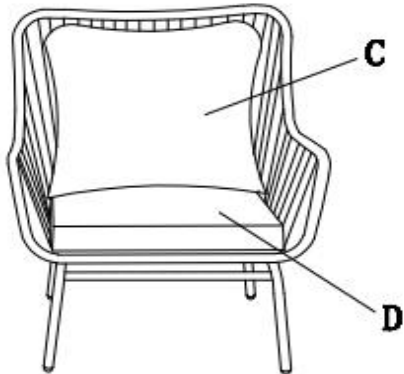





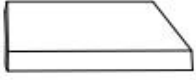


ASSEMBLY INSTRUCTION

ITEM: FAUX RATTAN GREY-CHAIR

NO	PART LIST	QTY	STEP 1	STEP 2
①	 <p>FLAT HEAD SCREW 6x35 mm</p>	8PCS	<p>Attach seat base(B) to the seat (A) using flat head screw and washers with allen key.</p> 	<p>Put the seat cushion (D) and back cushion (C) on the seat.</p> 
②	 <p>WASHER</p>	8PCS		
③	 <p>ALLEN KEY 4x60 mm</p>	1PC		
A	 <p>SEAT</p>	2PCS		
B	 <p>SEAT BASE</p>	2PCS		
C	 <p>SEAT CUSHION</p>	2PCS		
D	 <p>BACK CUSHION</p>	2PCS		